



US00D912532S

(12) **United States Design Patent**  
**Yu**

(10) **Patent No.:** **US D912,532 S**  
(45) **Date of Patent:** **\*\* Mar. 9, 2021**

(54) **CLOCK**

(71) Applicant: **FUZHOU ESUN ELECTRONIC CO., LTD**, Fujian (CN)

(72) Inventor: **Guo Yu**, Fujian (CN)

(73) Assignee: **FUZHOU ESUN ELECTRONIC CO., LTD**, Fujian (CN)

(\*\*) Term: **15 Years**

(21) Appl. No.: **29/656,160**

(22) Filed: **Jul. 11, 2018**

(51) **LOC (13) Cl.** ..... **10-01**

(52) **U.S. Cl.**  
USPC ..... **D10/15; D10/24**

(58) **Field of Classification Search**  
USPC ..... D10/1-5, 14-15, 22, 24-25, 40, 52-53;  
D14/168, 170-171, 188  
CPC ..... G04B 19/00; G04B 19/04; G04B 19/34;  
G04B 23/02; G04B 21/00; G04B  
45/0007; G04B 45/0038; G04B 45/0069;  
G04B 47/00; G04B 47/04; G04G 17/00;  
G04G 17/086; G04G 13/02; G04C 19/02  
See application file for complete search history.

(56) **References Cited**

**U.S. PATENT DOCUMENTS**

D228,515 S *	10/1973	Watanaabe	.....	D10/3
D241,626 S *	9/1976	Durco, Jr.	.....	D10/15
D264,943 S *	6/1982	Hammond	.....	D10/1
D325,935 S *	5/1992	Weiner	.....	D20/10
D452,227 S *	12/2001	Chan	.....	D14/170
D531,523 S *	11/2006	Bhavnani	.....	D10/15
D542,265 S *	5/2007	Hussaini	.....	D14/170
D543,868 S *	6/2007	Bhavnani	.....	D10/15
D544,371 S *	6/2007	Bhavnani	.....	D10/15
D545,693 S *	7/2007	Iwasaki	.....	D10/15
D553,509 S *	10/2007	Chow	.....	D10/15
D564,915 S *	3/2008	Silva	.....	D10/46
D576,053 S *	9/2008	Lulic	.....	D10/24

D577,002 S *	9/2008	Kurihara	.....	D14/170
D648,743 S *	11/2011	Chang	.....	D14/496
D694,127 S *	11/2013	Hsu	.....	D10/15
D696,969 S *	1/2014	Aitken	.....	D10/40
D700,528 S *	3/2014	Joseph	.....	D10/15
D751,526 S *	3/2016	Habraken	.....	D14/204
D779,455 S *	2/2017	Balcerzak	.....	D14/172

(Continued)

**FOREIGN PATENT DOCUMENTS**

EM 005505476-001 \* 7/2018

**OTHER PUBLICATIONS**

2018 Esun New brand tiny mini table digital clock | alibaba.com, no posting date [online]. © 1999-2020 Alibaba.com [retrieved Aug. 16, 2020] from Internet: <[https://www.alibaba.com/product-detail/2018-ESUN-NEW-Brand-Tiny-Mini\\_60776043032.html?spm=a2700-galleryofferlist.0.0.31183cd4knh6IL](https://www.alibaba.com/product-detail/2018-ESUN-NEW-Brand-Tiny-Mini_60776043032.html?spm=a2700-galleryofferlist.0.0.31183cd4knh6IL)> (Year: 2020).\*

*Primary Examiner* — Katherine Glennon  
(74) *Attorney, Agent, or Firm* — JCIPRNET

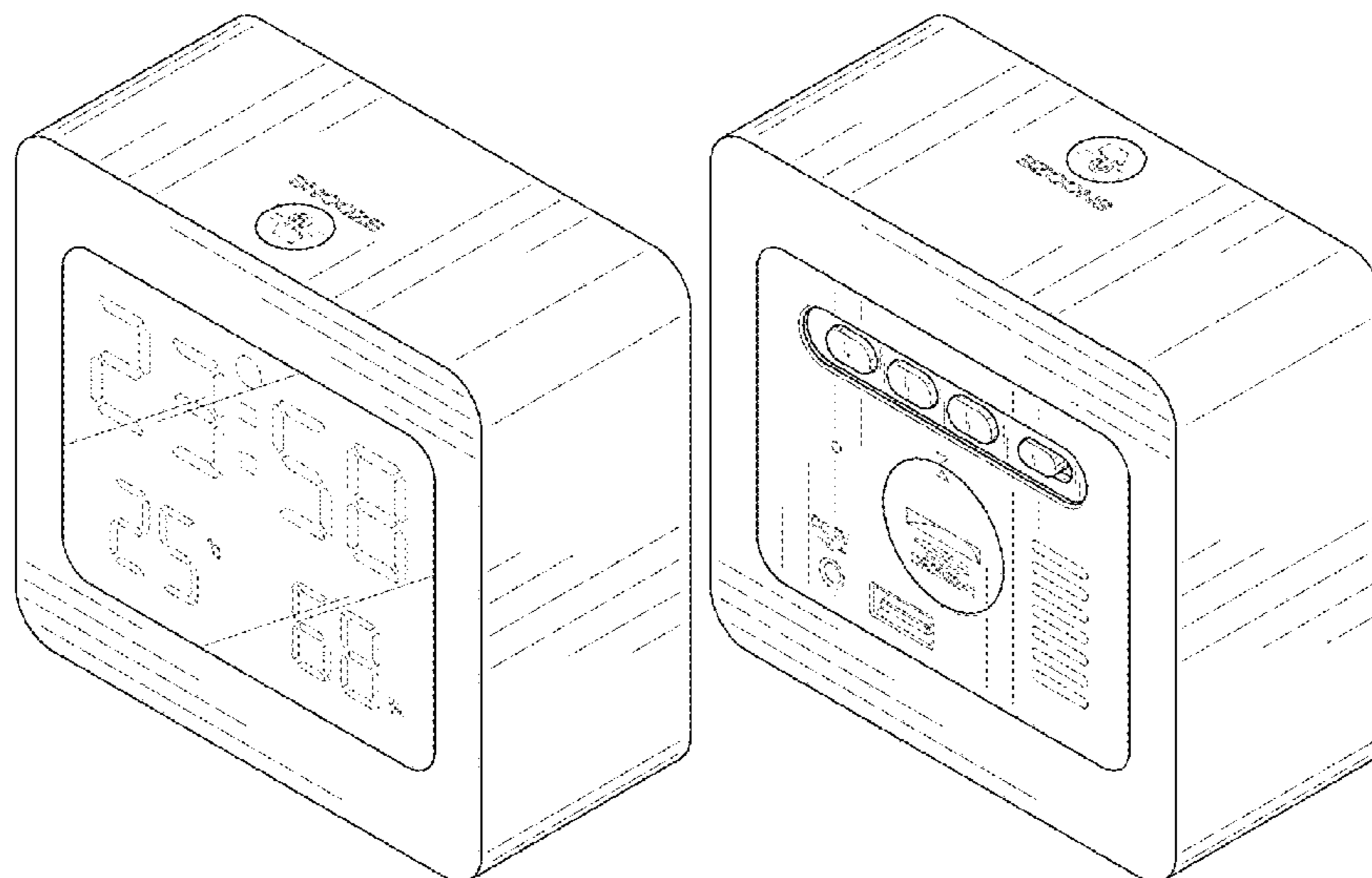
(57) **CLAIM**

The ornamental design for a clock, as shown and described.

**DESCRIPTION**

FIG. 1 is a front perspective view of a clock showing my new design;  
FIG. 2 is a rear perspective view thereof;  
FIG. 3 is a front view thereof;  
FIG. 4 is a rear view thereof;  
FIG. 5 is a left side view thereof;  
FIG. 6 is a right side view thereof;  
FIG. 7 is a top view thereof; and,  
FIG. 8 is a bottom view thereof.  
The broken lines in the views are for the purpose of illustrating portions of the clock that form no part of the claimed design.

**1 Claim, 4 Drawing Sheets**



(56)

**References Cited**

U.S. PATENT DOCUMENTS

D824,983	S	*	8/2018	Wong	.....	D16/202
D884,489	S	*	5/2020	Yu	.....	D10/15
D887,286	S	*	6/2020	Barr	.....	D10/15
2008/0123472	A1	*	5/2008	Bart	.....	G04G 13/028 368/10
2008/0129654	A1	*	6/2008	Bhavnani	.....	G04G 17/086 345/59
2010/0296371	A1	*	11/2010	Wu	.....	G04G 17/086 368/242
2011/0310705	A1	*	12/2011	Fujii	.....	G06F 1/1626 368/10

\* cited by examiner

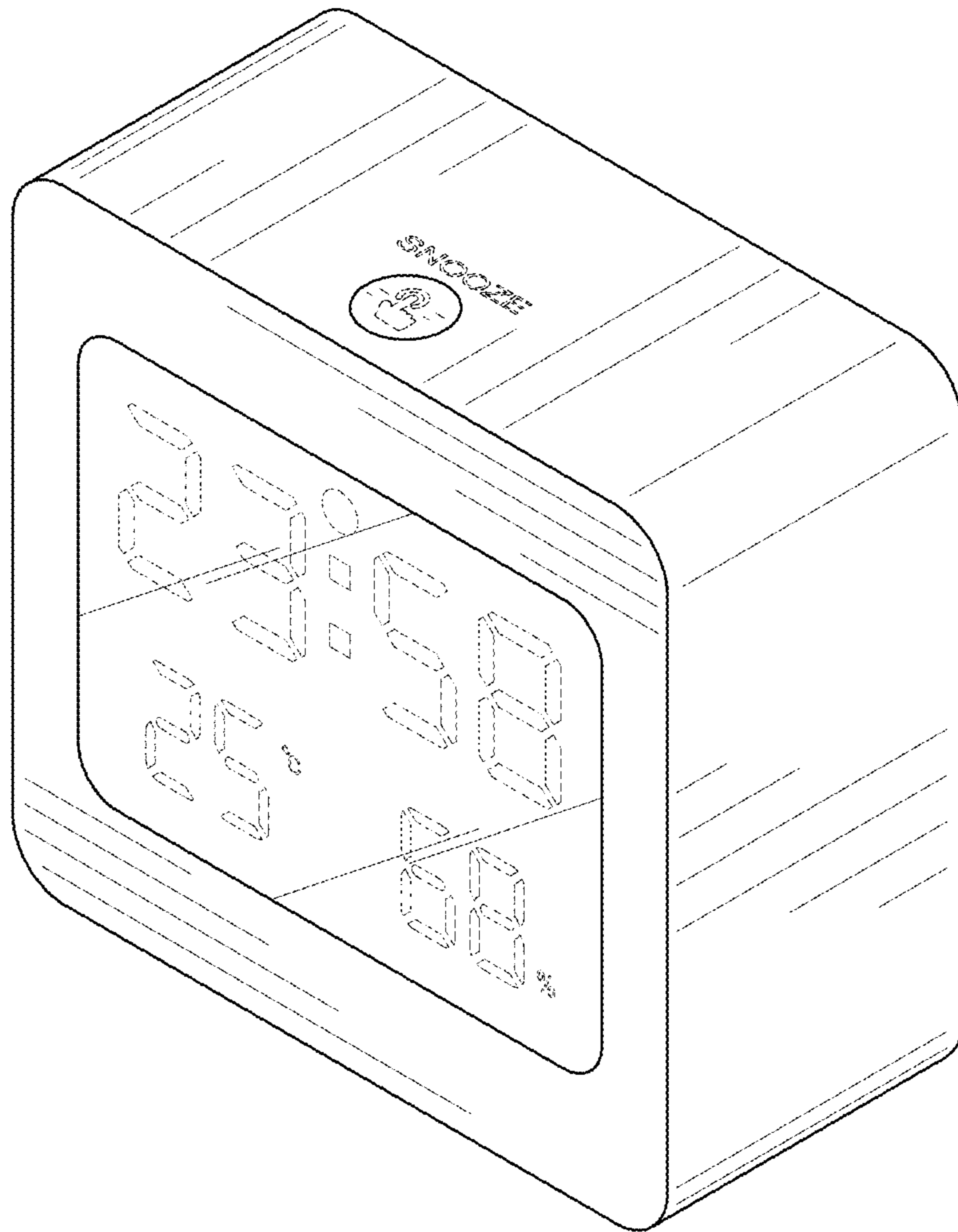


FIG. 1

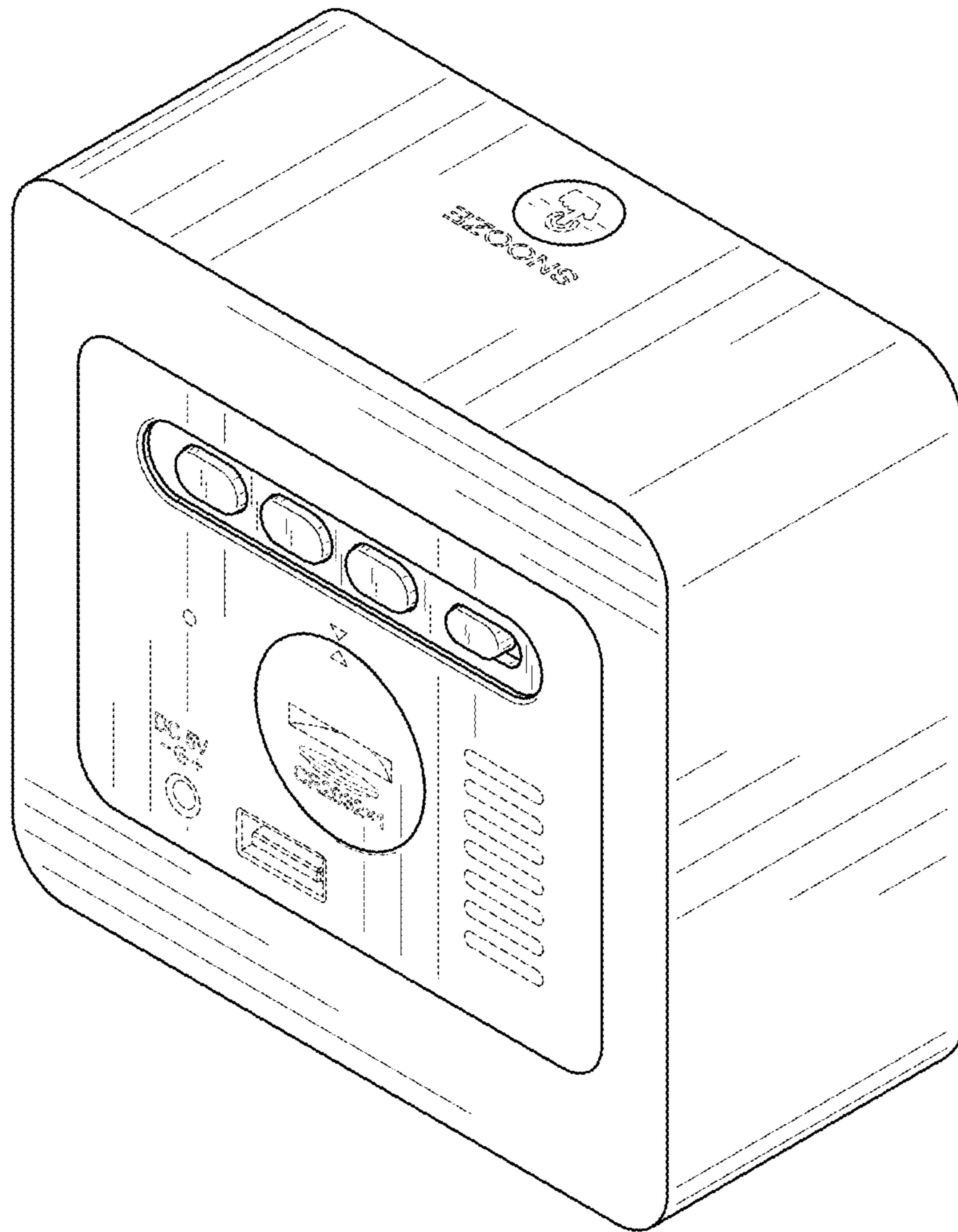


FIG. 2

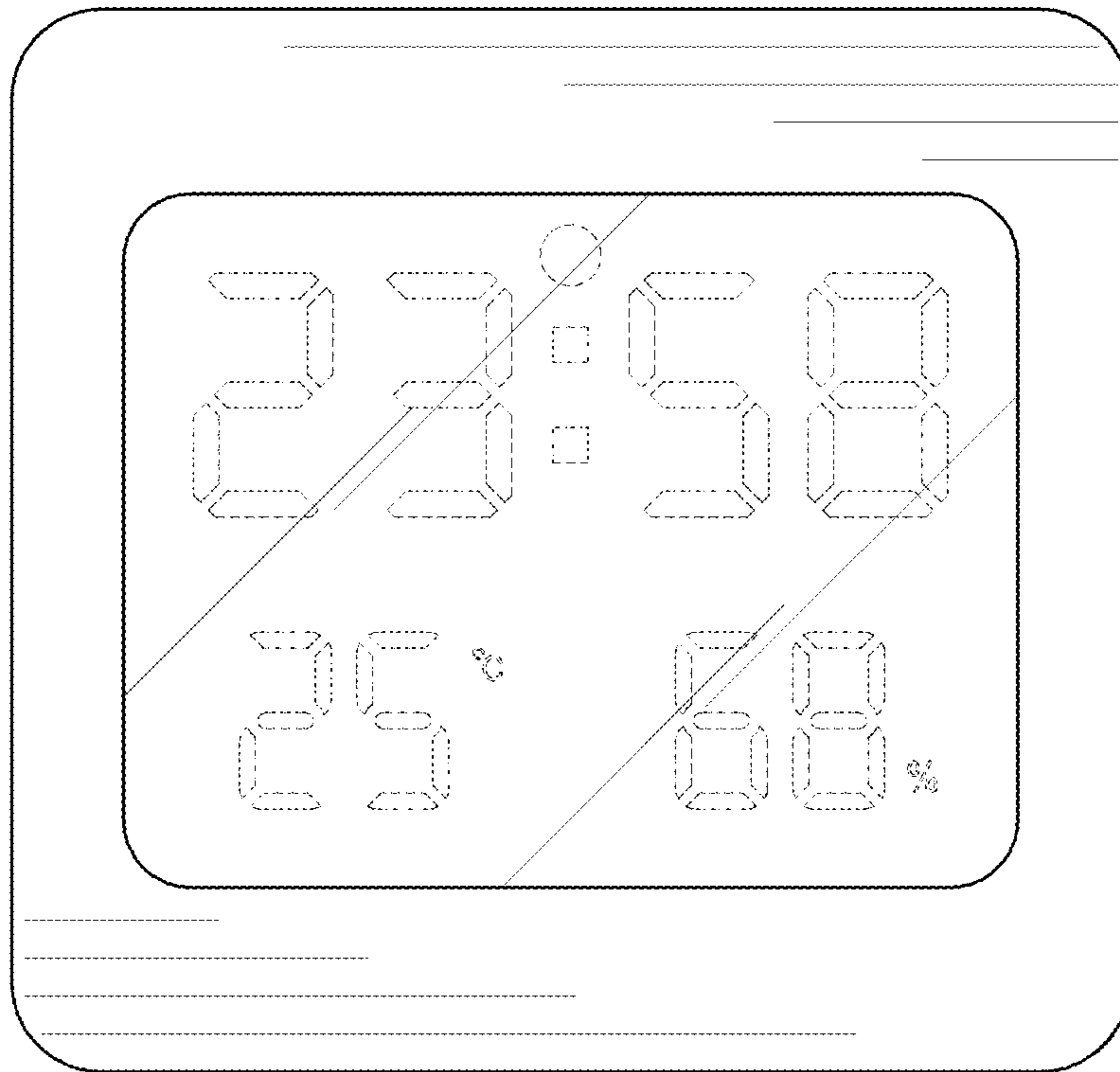


FIG. 3

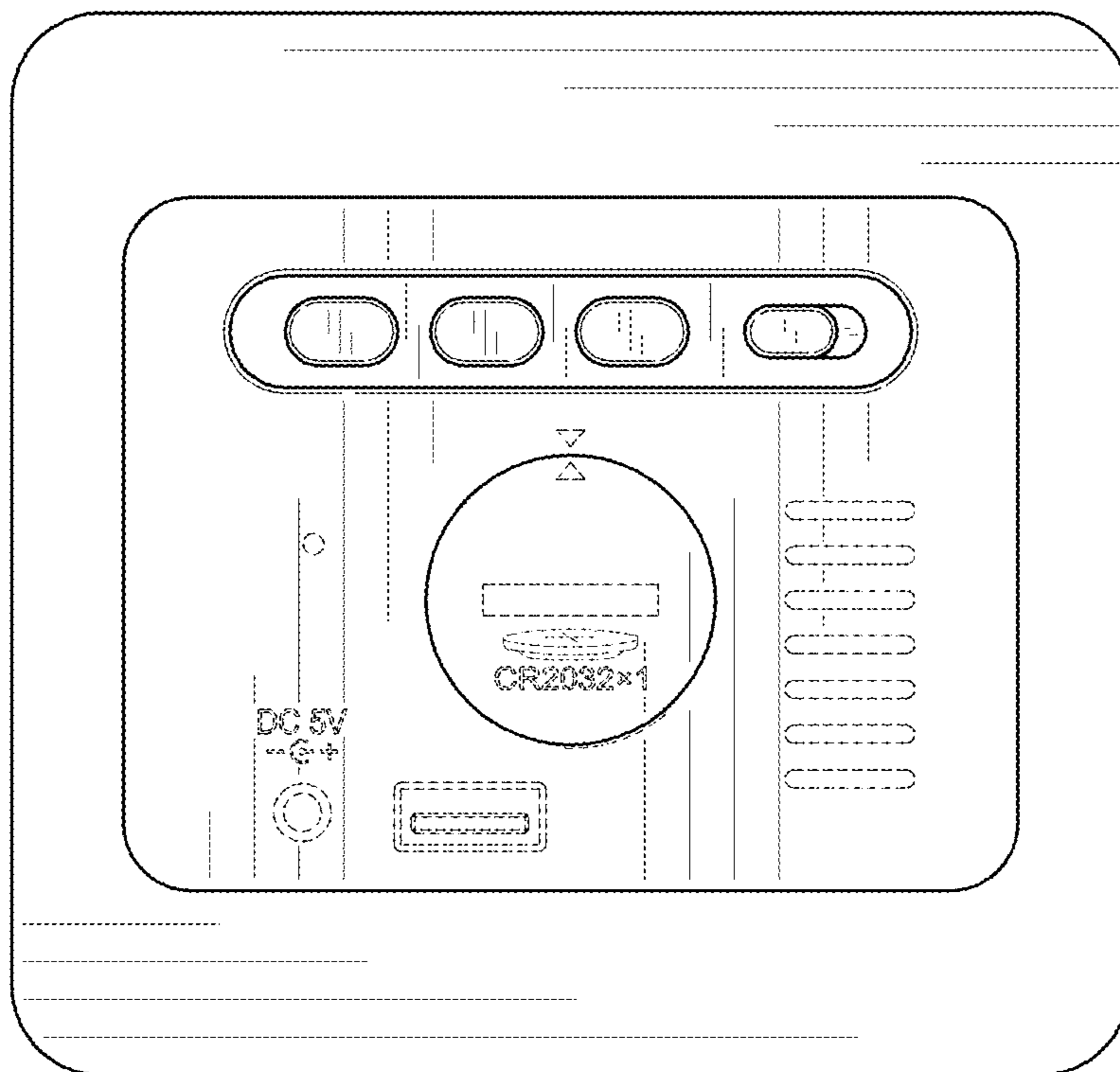


FIG. 4

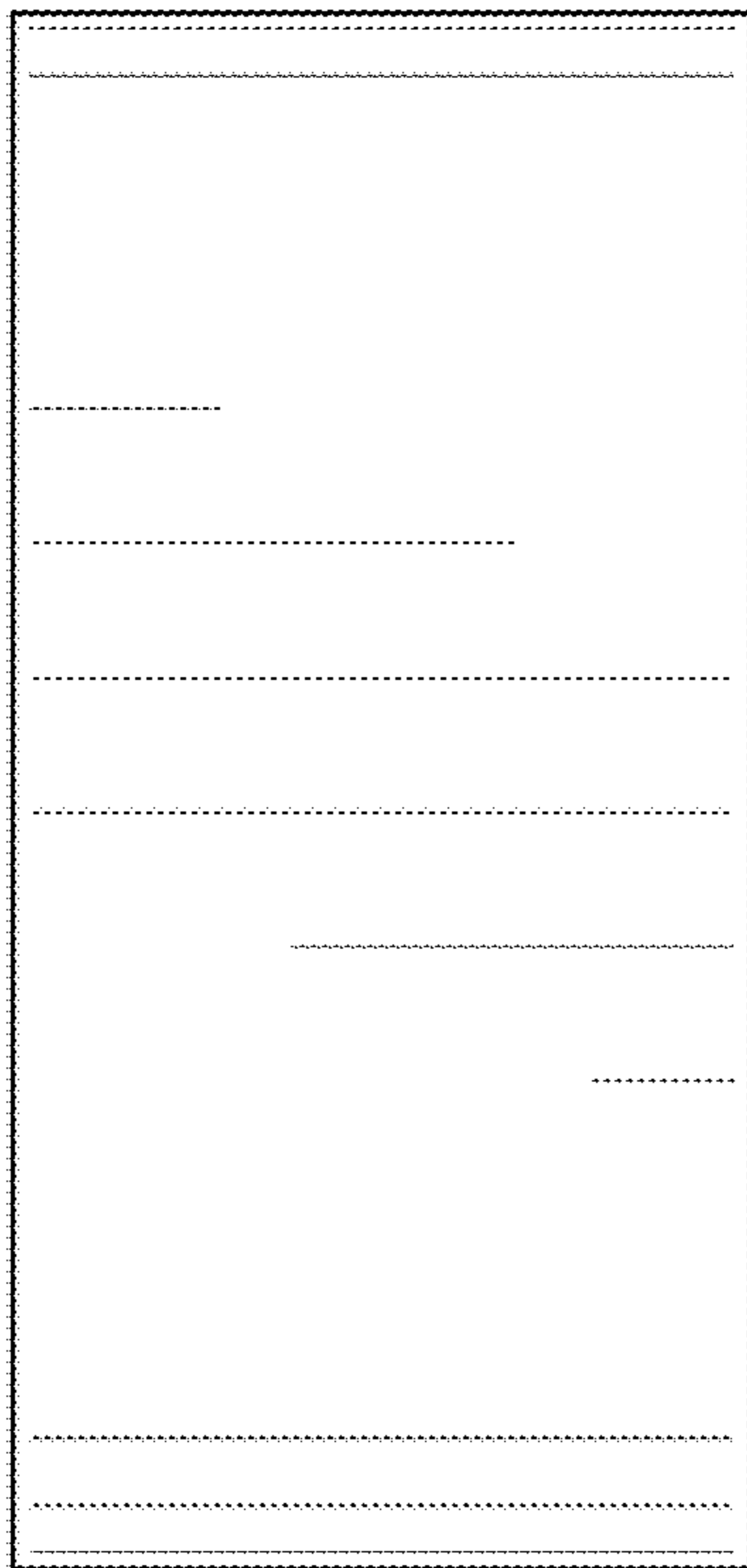


FIG. 5

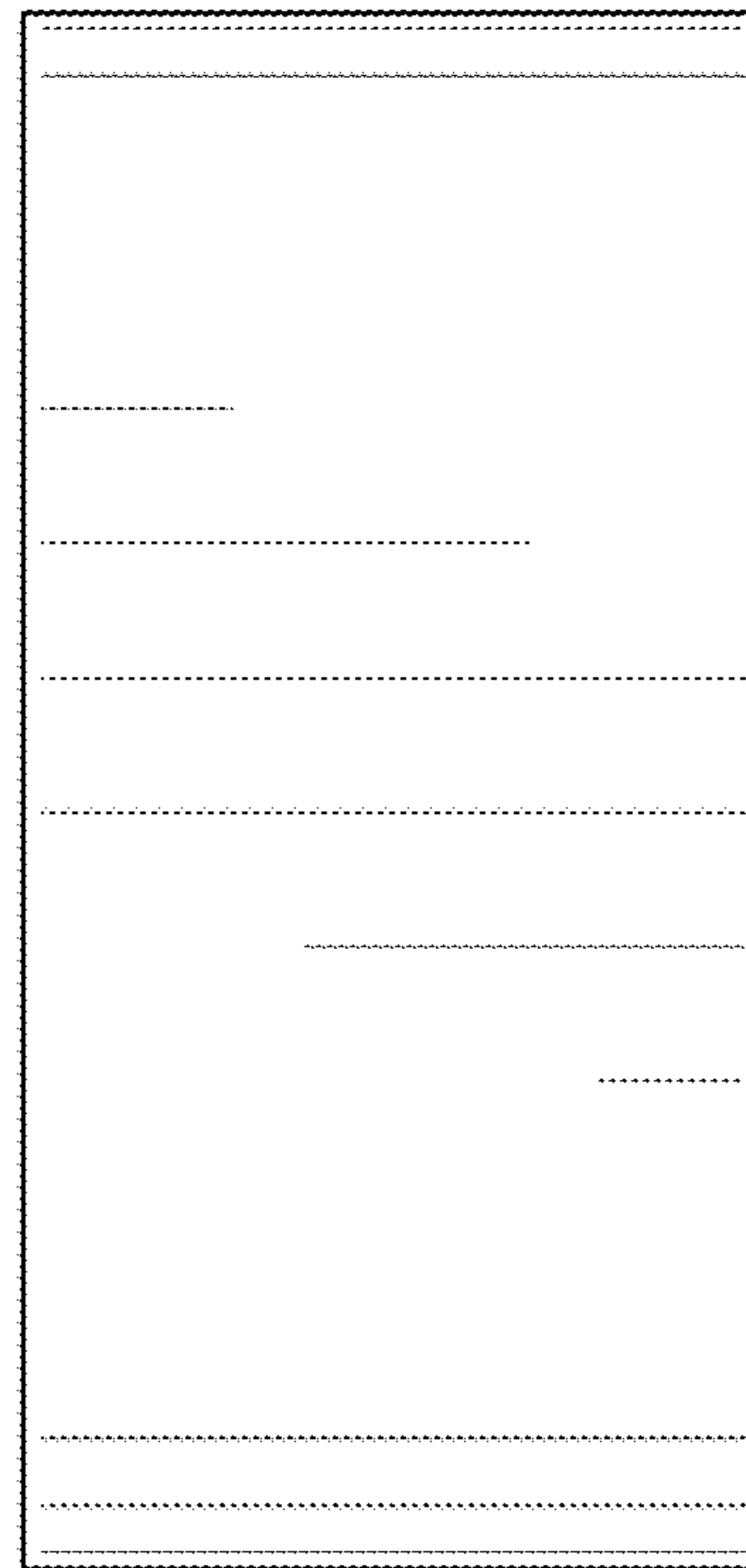


FIG. 6

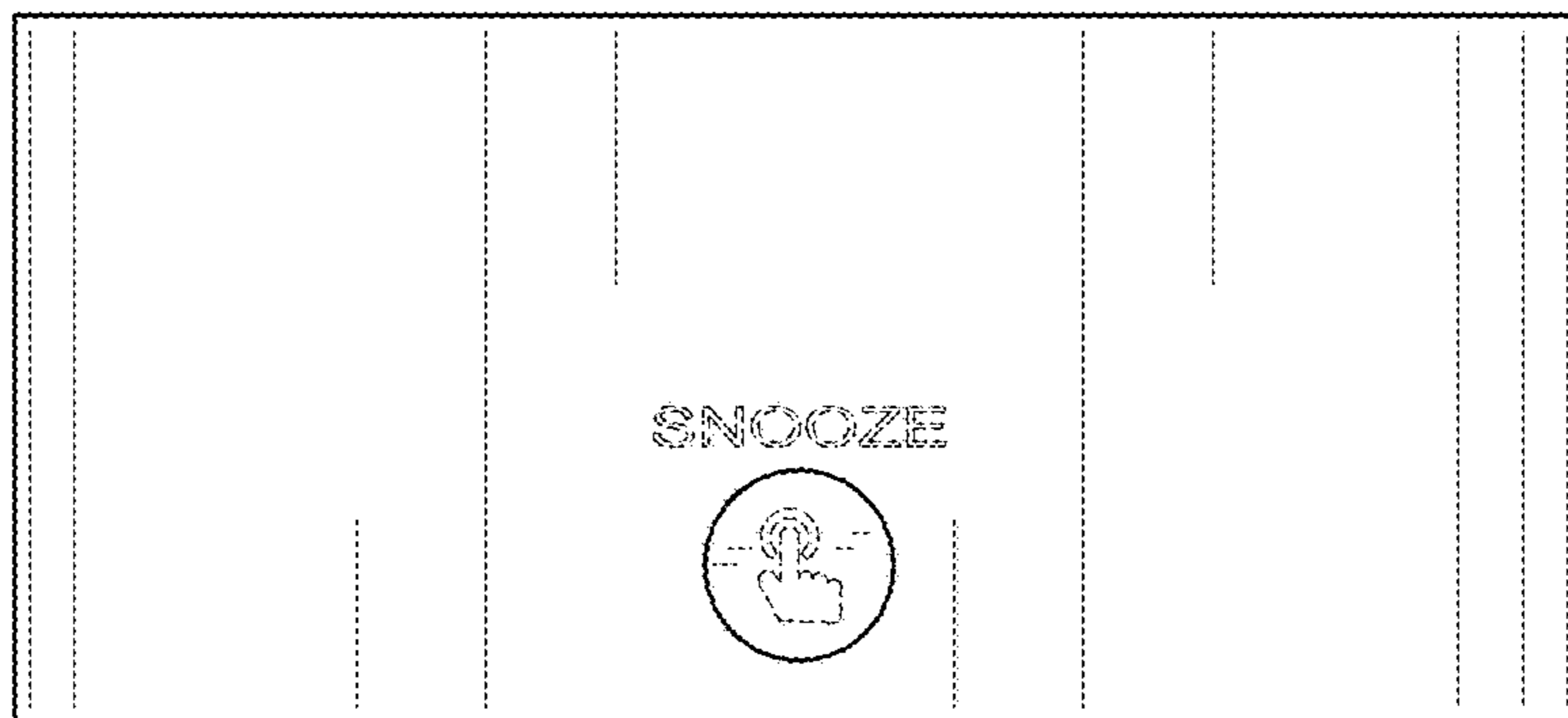


FIG. 7

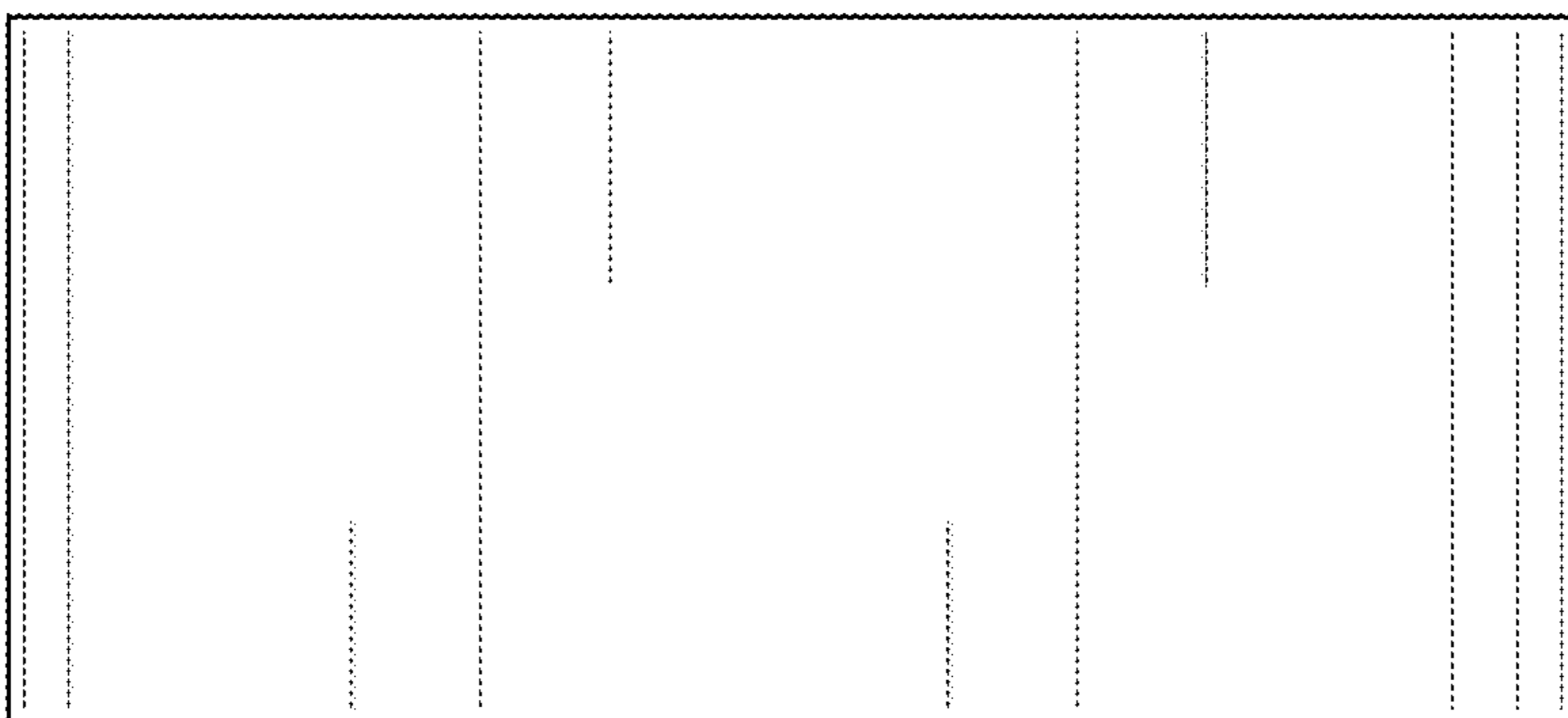


FIG. 8