



US00D912531S

(12) **United States Design Patent**  
**Yu**

(10) **Patent No.:** **US D912,531 S**  
(45) **Date of Patent:** **\*\* Mar. 9, 2021**

(54) **LED PROJECTION CLOCK**

(56) **References Cited**

(71) Applicant: **FUZHOU ESUN ELECTRONIC CO., LTD**, Fuzhou (CN)

U.S. PATENT DOCUMENTS

(72) Inventor: **Guo Yu**, Fuzhou (CN)

D489,996 S *	5/2004	Chan	.....	D10/15
D612,267 S *	3/2010	Tsang	.....	D10/1
D639,824 S *	6/2011	Usami	.....	D14/505
D820,114 S *	6/2018	Hu	.....	D10/15
D823,274 S *	7/2018	Hu	.....	D14/155
D836,005 S *	12/2018	Lu	.....	D10/2
D852,772 S *	7/2019	Zhang	.....	D14/171
D853,860 S *	7/2019	Bai	.....	D10/2
D875,553 S *	2/2020	Yu	.....	D10/2
D881,023 S *	4/2020	Hu	.....	D10/15
D885,934 S *	6/2020	Bai	.....	D10/2

(73) Assignee: **FUZHOU ESUN ELECTRONIC CO., LTD**, Fuzhou (CN)

(\*\*) Term: **15 Years**

\* cited by examiner

(21) Appl. No.: **29/683,804**

*Primary Examiner* — Katherine Glennon

(22) Filed: **Mar. 15, 2019**

(74) *Attorney, Agent, or Firm* — Westbridge IP LLC

(30) **Foreign Application Priority Data**

Feb. 18, 2019 (CN) ..... 201930066342.7

(57) **CLAIM**

(51) **LOC (13) Cl.** ..... **10-01**

The ornamental design for an LED projection clock, as shown and described.

(52) **U.S. Cl.**

**DESCRIPTION**

USPC ..... **D10/5**; D10/15

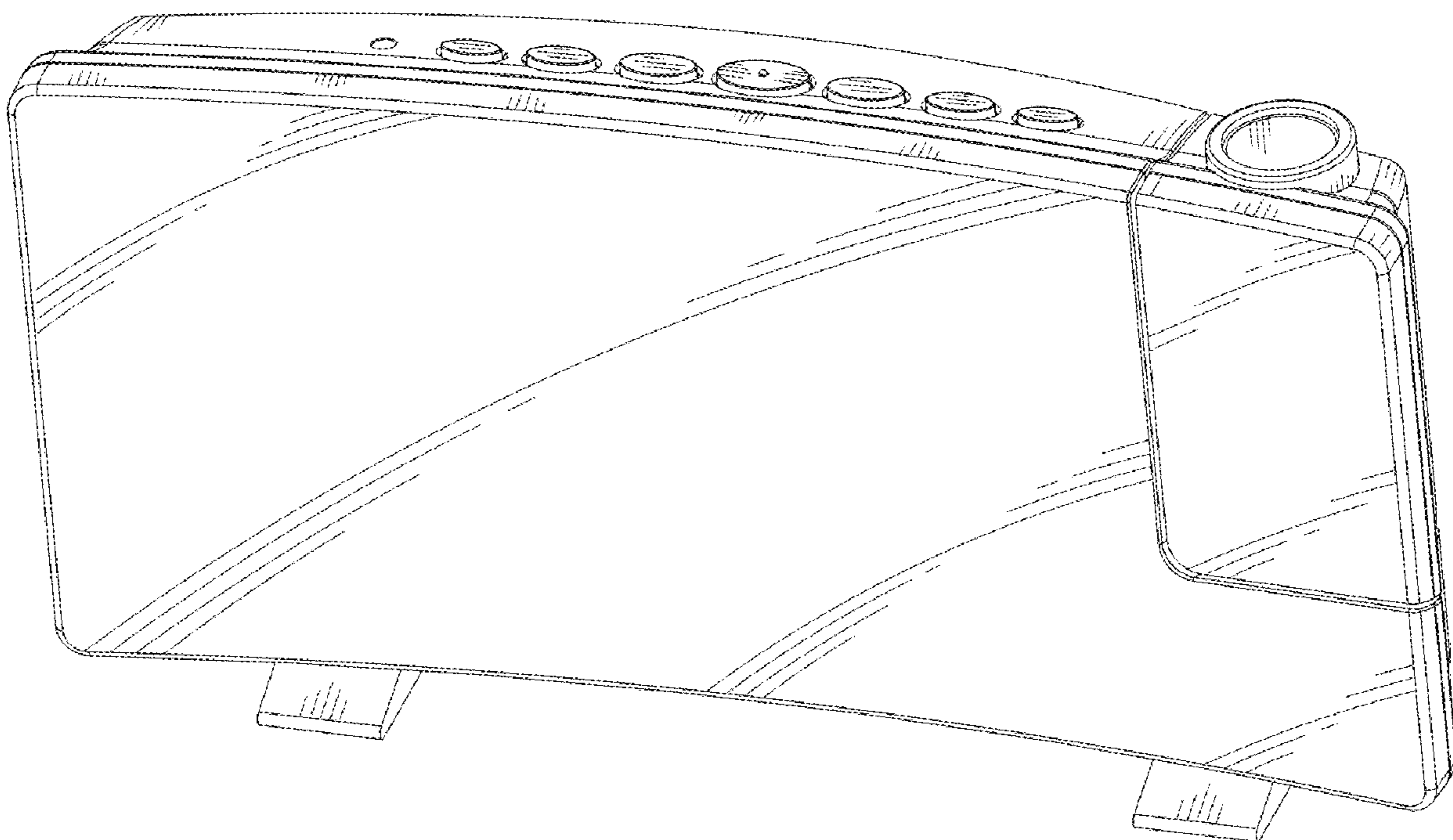
(58) **Field of Classification Search**

USPC ..... D10/1–11, 14–15, 17, 22, 24–26, 29,  
D10/40–42, 45, 46, 49, 52–53, 104.2,  
D10/106.1; D14/168, 170–171, 188  
CPC ..... G04B 19/00; G04B 19/04; G04B 19/34;  
G04B 23/02; G04B 21/00; G04B  
45/0007; G04B 45/0038; G04B 45/0069;  
G04B 47/00; G04B 47/04; G04C 21/00;  
G04C 21/02; G04C 21/04; G04G 17/00;  
G04G 17/08; G04G 17/086; G04G 11/00

FIG. 1 is a perspective view of an LED projection clock showing my new design;  
FIG. 2 is a front elevational view thereof;  
FIG. 3 is a rear elevational view thereof;  
FIG. 4 is a left side view thereof;  
FIG. 5 is a right side view thereof;  
FIG. 6 is a top plan view thereof; and,  
FIG. 7 is a bottom plan view thereof.  
The broken lines in the drawings depict portions of the LED projection clock that form no part of the claimed design.

See application file for complete search history.

**1 Claim, 7 Drawing Sheets**



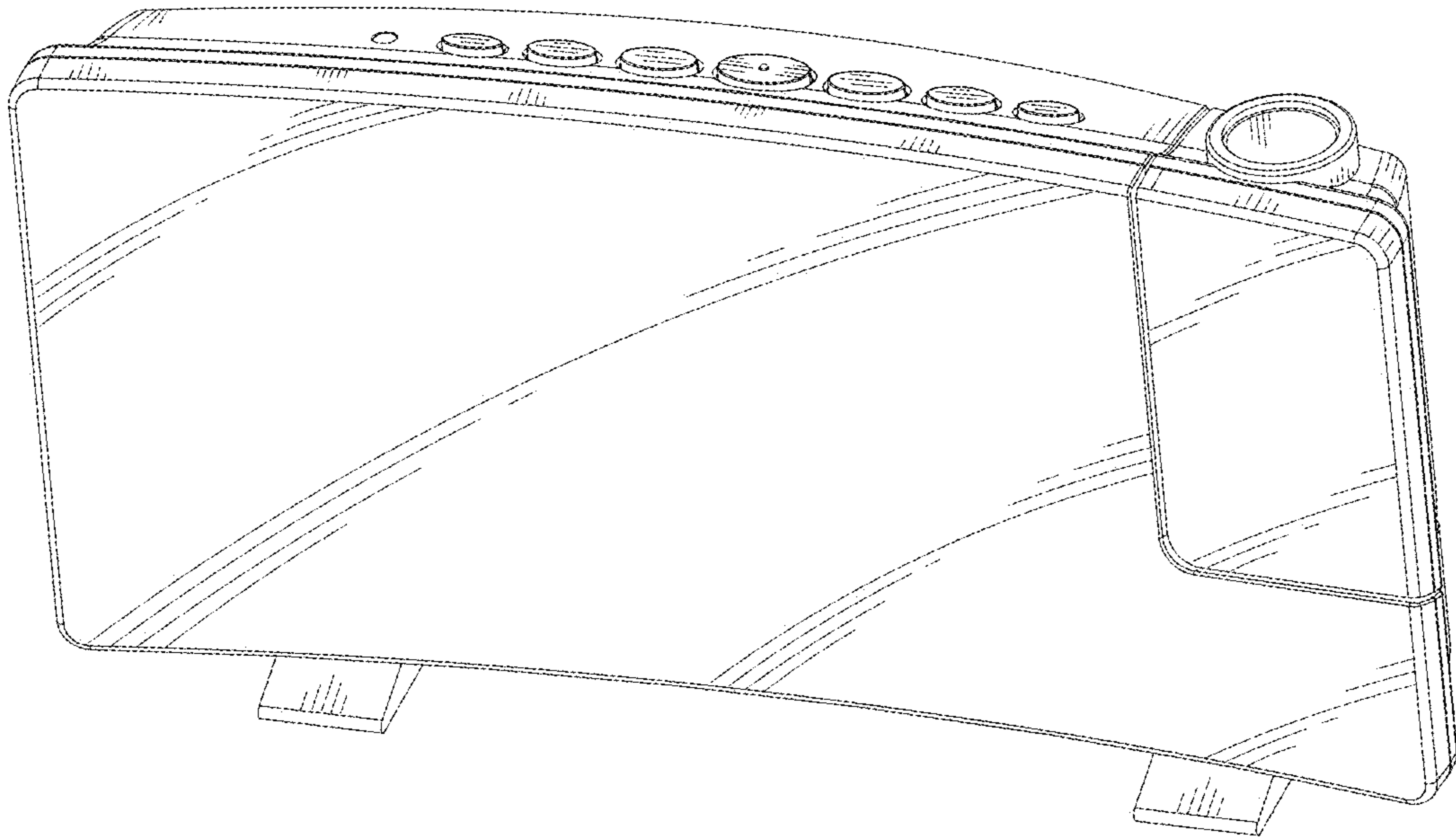


FIG.1

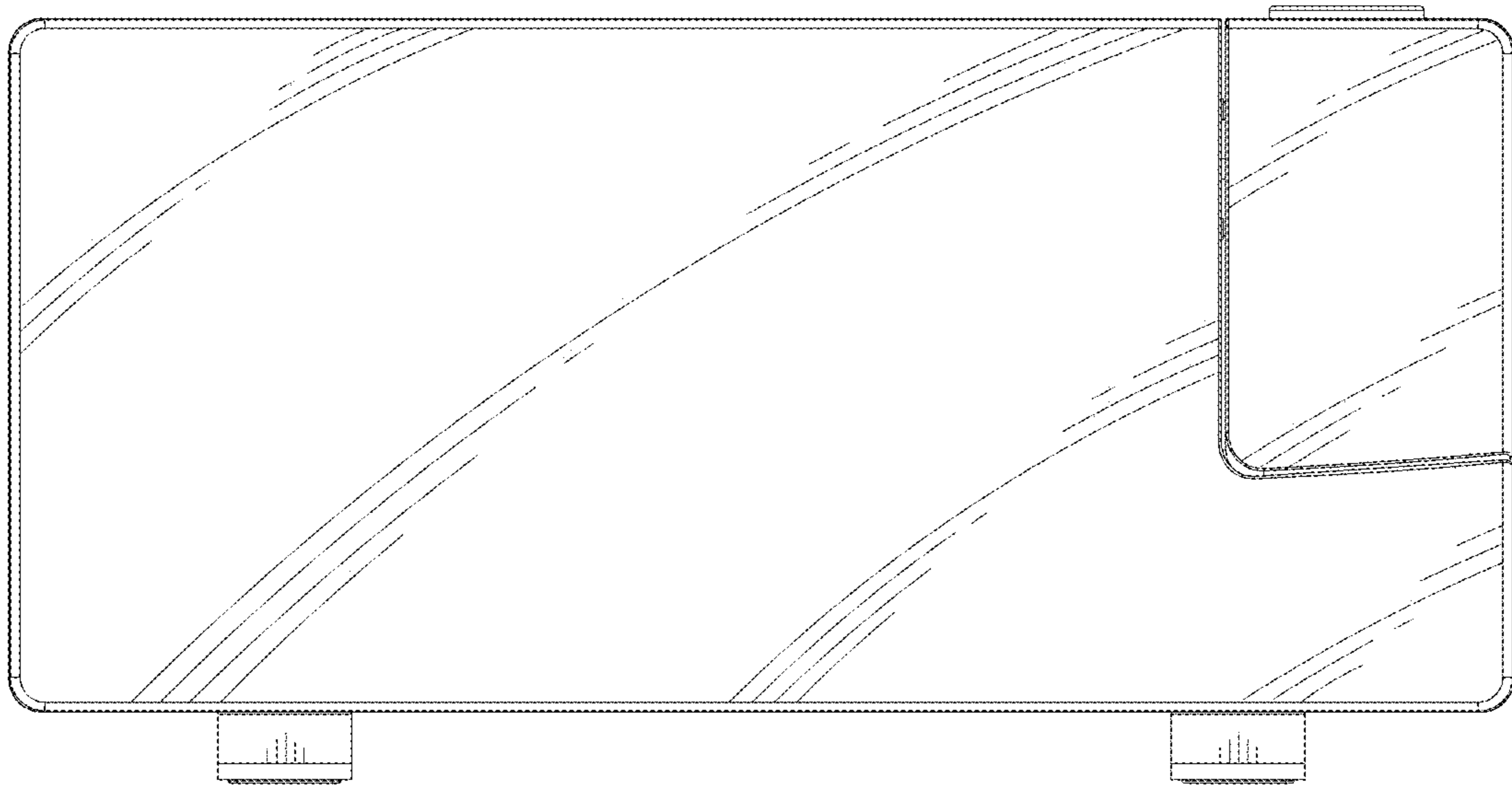


FIG.2

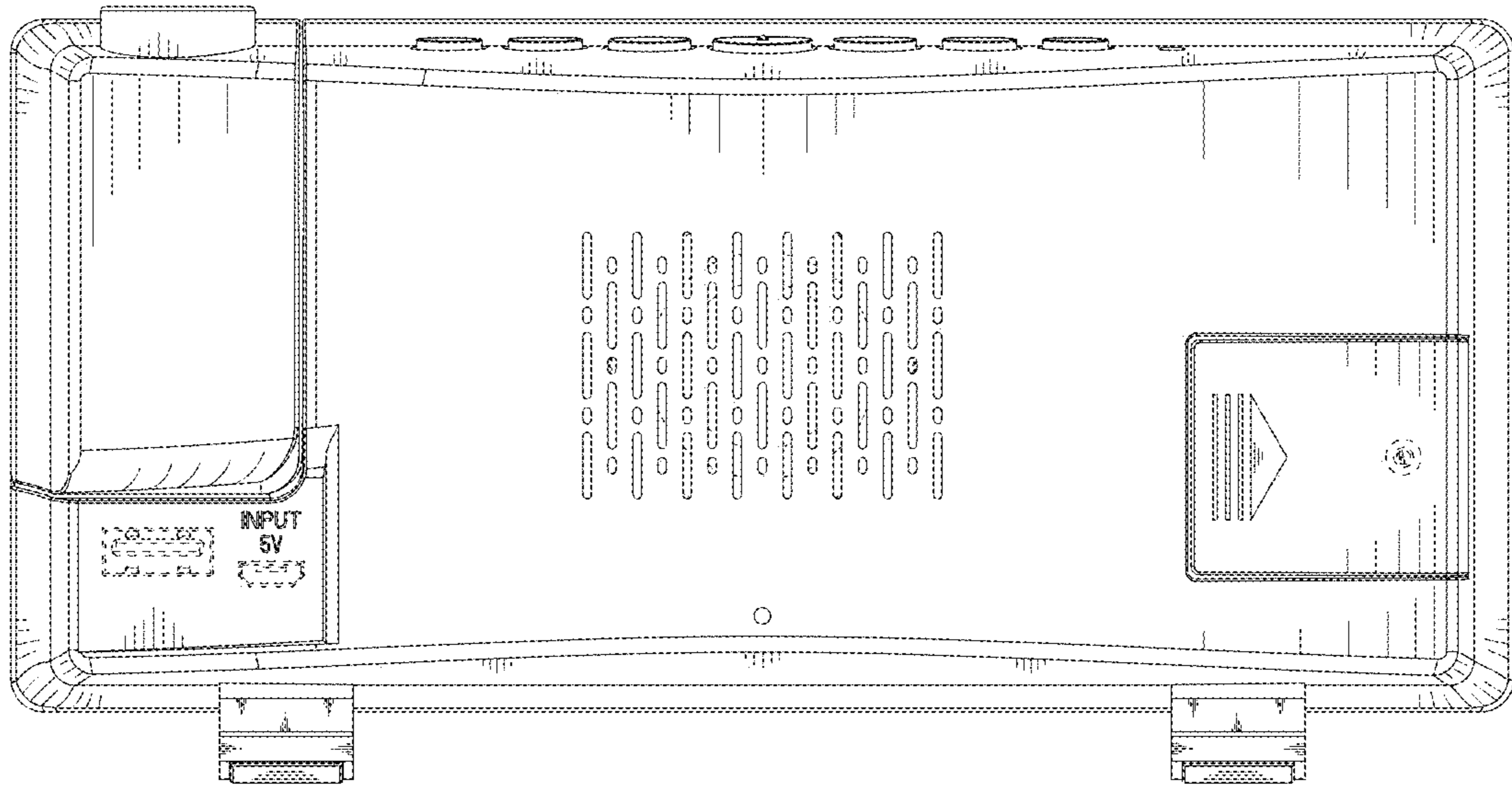


FIG.3

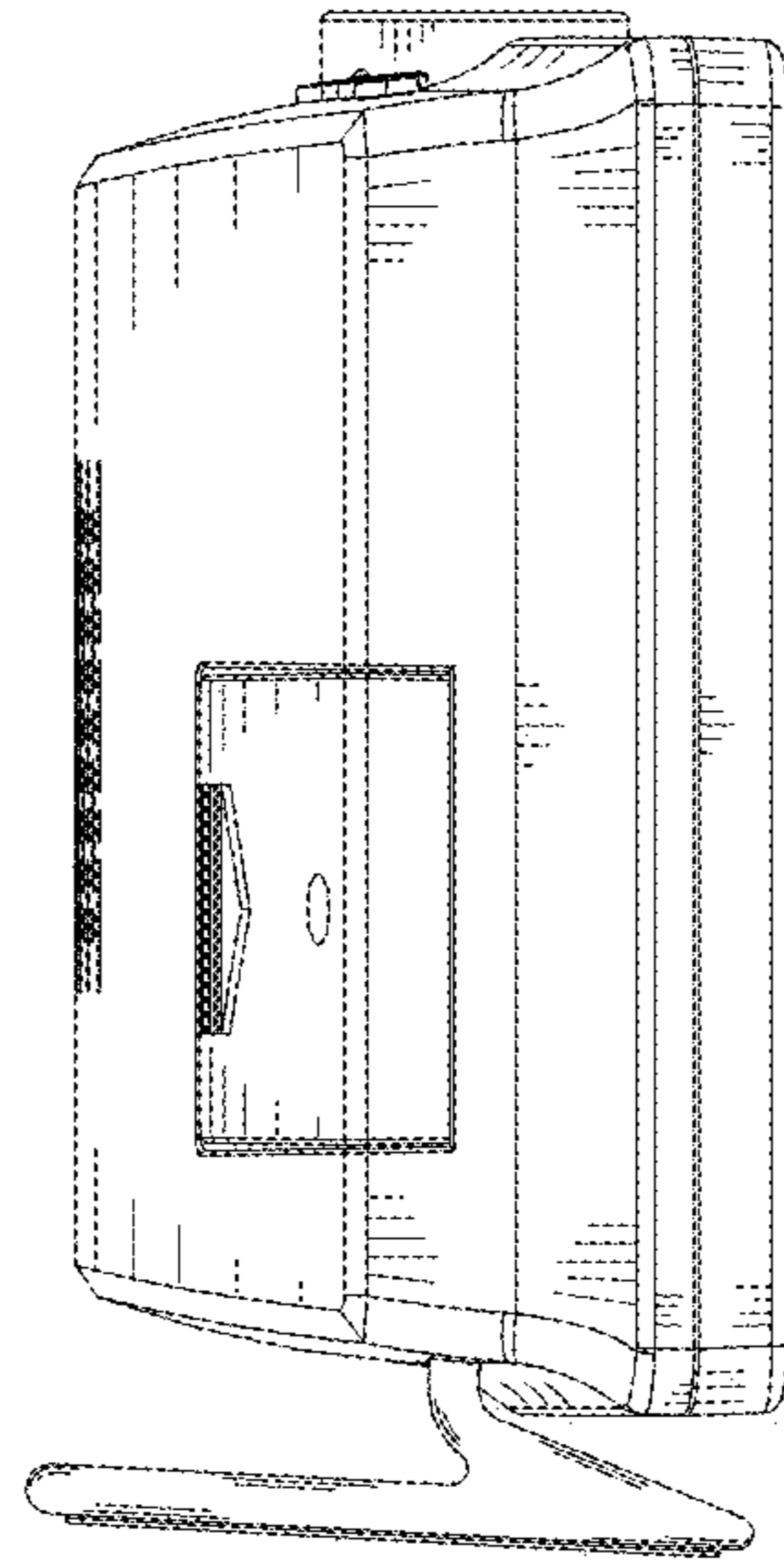


FIG.4

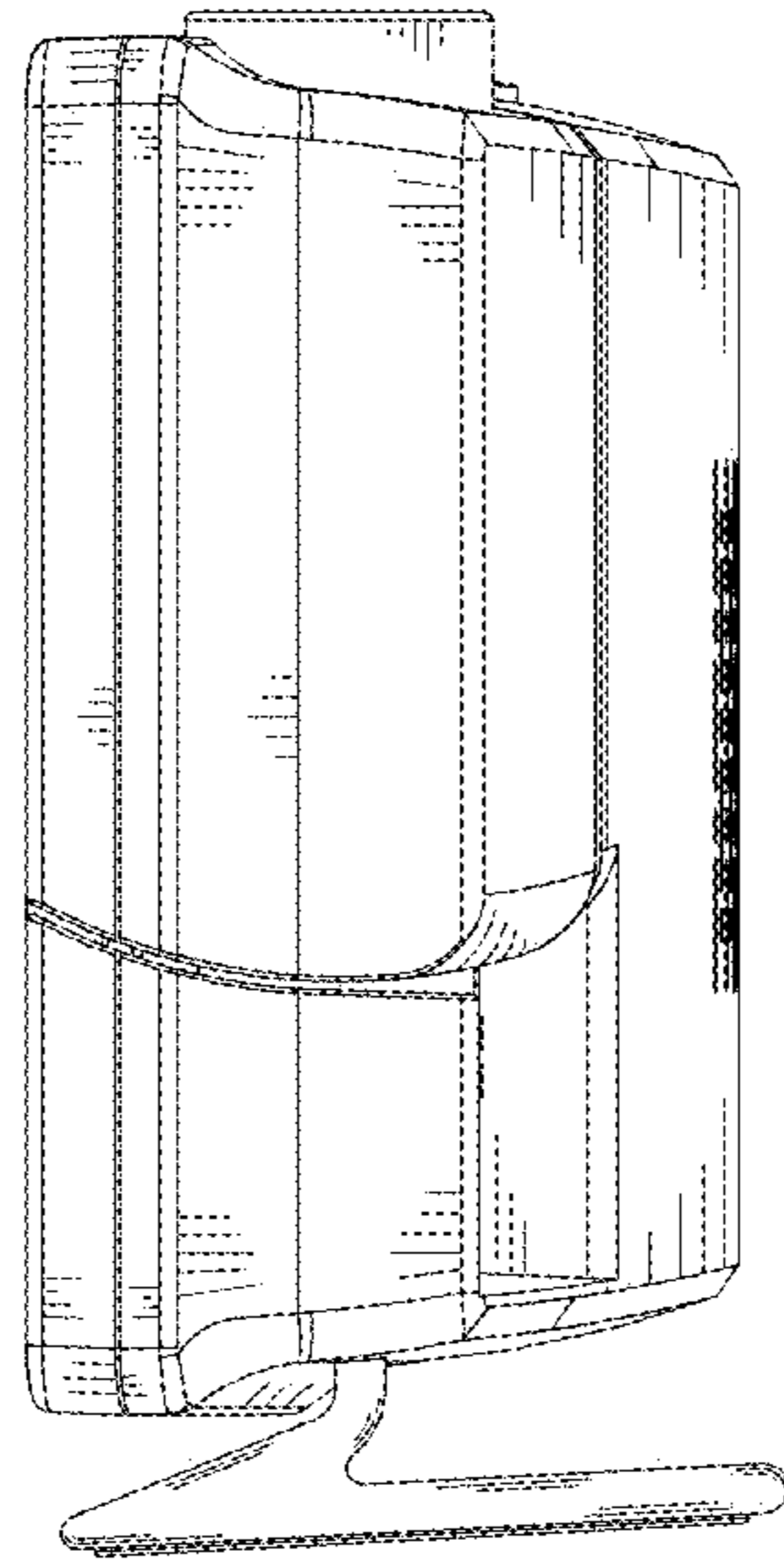


FIG.5

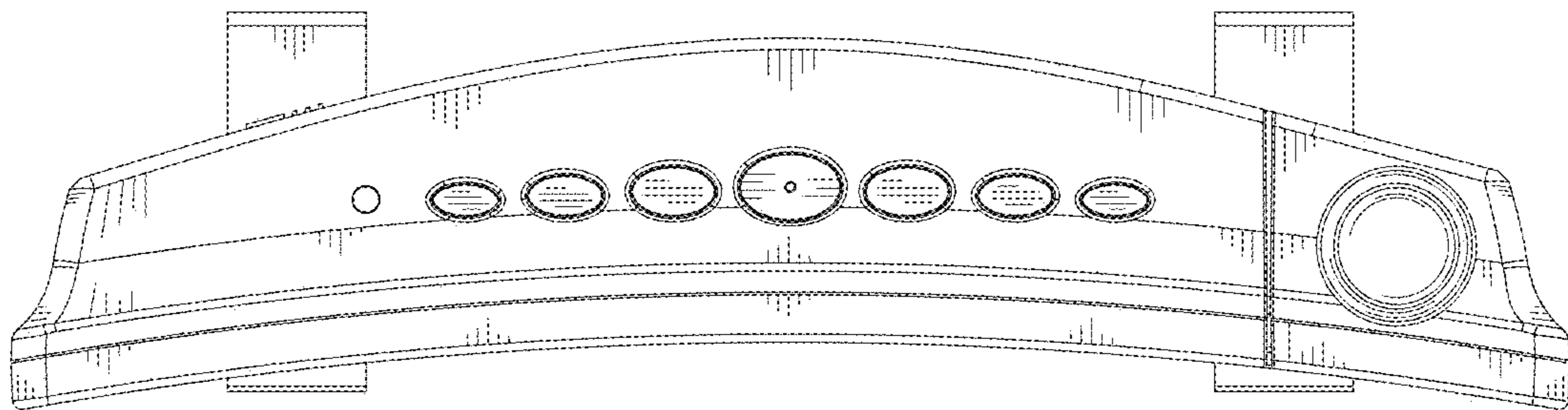


FIG.6

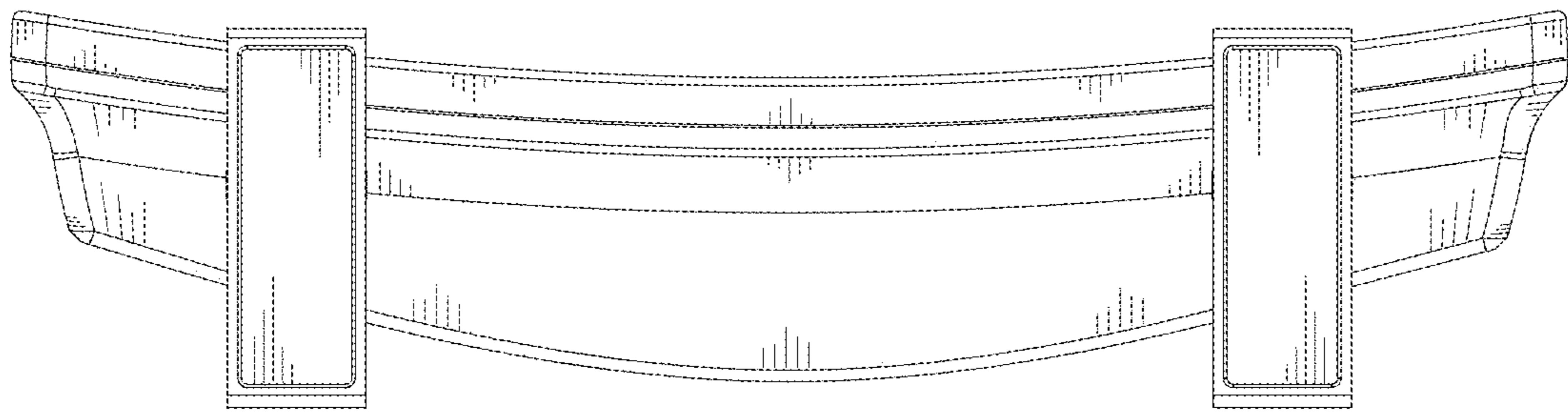


FIG.7