



US00D912530S

(12) **United States Design Patent**
Riedel

(10) **Patent No.:** **US D912,530 S**
(45) **Date of Patent:** **** Mar. 9, 2021**

(54) **CONTAINER**

(71) Applicant: **TARGET BRANDS, INC.**,
Minneapolis, MN (US)

(72) Inventor: **Richard P. Riedel**, Blaine, MN (US)

(73) Assignee: **TARGET BRANDS, INC.**,
Minneapolis, MN (US)

(**) Term: **15 Years**

(21) Appl. No.: **29/708,342**

(22) Filed: **Oct. 4, 2019**

(51) **LOC (13) Cl.** **09-03**

(52) **U.S. Cl.**
USPC **D9/737; D9/425**

(58) **Field of Classification Search**
USPC D9/414-416, 418, 420-425, 430-432,
D9/434, 435, 456; D7/601, 602, 610,
D7/614, 701, 703, 629, 550.1, 553.1,
D7/553.2, 553.3, 553.7, 554.3, 554.4,
D7/555, 557; D3/273, 201, 206, 294,
D3/295, 304, 313

CPC B65D 85/34; B65D 85/345; B65D 43/161;
B65D 43/162; B65D 43/16; B65D 51/28;
B65D 2543/00194; B65D 1/24; B65D
21/0237; B65D 2543/00101; B65D
2543/00351; B65D 1/36; B65D 25/04;
B65D 2543/00555; B65D 2581/3425;
B65D 43/0218; B65D 2543/00083; B65D
2543/00268; B65D 2543/00277; B65D
81/3453; A47G 19/02; A47G 19/065;
A47G 23/06

See application file for complete search history.

(56) **References Cited**

U.S. PATENT DOCUMENTS

3,692,175 A 9/1972 Hordler
3,695,419 A 10/1972 Packert et al.

3,933,296 A 1/1976 Ruskin et al.
D267,394 S * 12/1982 Liptak D9/415
4,930,627 A 6/1990 Borst et al.
(Continued)

FOREIGN PATENT DOCUMENTS

WO 2005068318 A1 7/2005

OTHER PUBLICATIONS

U.S. Appl. No. 16/593,753, Riedel, Richard P., filed Oct. 4, 2019 (37 pages).

(Continued)

Primary Examiner — W. A. Teddy Falloway

(74) *Attorney, Agent, or Firm* — JoAnn M. Seaton;
Griffiths & Seaton PLLC

(57) **CLAIM**

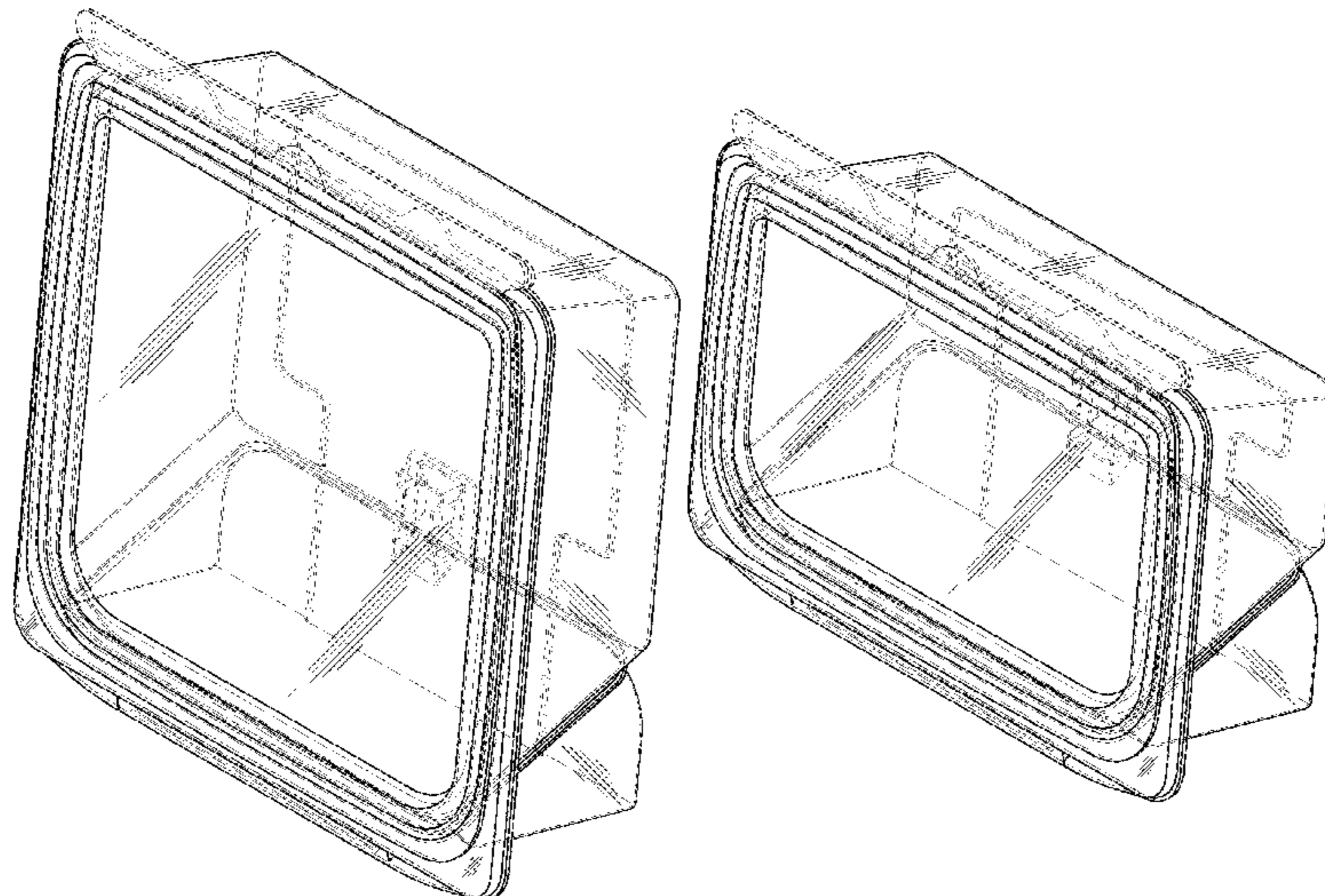
The ornamental design for a container, as shown and described.

DESCRIPTION

FIG. 1 is a front perspective view of a container showing one embodiment of our new design;
FIG. 2 is a rear perspective view thereof;
FIG. 3 is a front view thereof;
FIG. 4 is a rear view thereof;
FIG. 5 is a right side view thereof;
FIG. 6 is a top view thereof; and
FIG. 7 is a bottom view thereof.
FIG. 8 is a front perspective view of a container showing one embodiment of our new design;
FIG. 9 is a rear perspective view thereof;
FIG. 10 is a front view thereof;
FIG. 11 is a rear view thereof;
FIG. 12 is a right side view thereof;
FIG. 13 is a top view thereof; and,
FIG. 14 is a bottom view thereof.

The features shown in broken lines are portions of the container forming no part of the claimed design.

1 Claim, 11 Drawing Sheets



(56)

References Cited

U.S. PATENT DOCUMENTS

5,038,936 A 8/1991 Borst
 D334,141 S * 3/1993 Gottofredi D9/425
 D533,075 S 12/2006 Snedden et al.
 D549,574 S * 8/2007 Watson D9/418
 D577,579 S * 9/2008 Lymn D9/426
 D600,111 S * 9/2009 Gerulski D9/424
 D640,550 S * 6/2011 Snedden D9/431
 D646,969 S * 10/2011 Snedden D9/431
 D658,979 S * 5/2012 Gordon D9/418
 D664,425 S 7/2012 Krupa
 8,215,485 B2 * 7/2012 Maroofian B65D 75/24
 206/445
 8,360,262 B2 1/2013 Vovan
 D688,552 S 8/2013 Vernon et al.
 D692,297 S * 10/2013 Wintmolders D9/431
 8,584,884 B2 11/2013 Learn et al.
 D700,840 S 3/2014 Vernon et al.
 D708,941 S 7/2014 Das
 D837,646 S * 1/2019 Mazzuca D9/418
 D837,647 S * 1/2019 Tamshe D9/420
 D859,975 S * 9/2019 Brown D9/420

D869,271 S * 12/2019 Troudt D9/425
 D876,217 S * 2/2020 Nouri D9/425
 D893,292 S * 8/2020 Lam B65D 21/0233
 D9/425
 D899,920 S * 10/2020 Smith D9/424
 2006/0237454 A1 * 10/2006 Clarke B65D 75/22
 220/4.21
 2010/0155402 A1 * 6/2010 Maroofian B65D 75/24
 220/265
 2012/0111754 A1 5/2012 Domerchie et al.
 2016/0096663 A1 4/2016 Lotfi et al.
 2017/0036805 A1 2/2017 Lotfi et al.
 2017/0275059 A1 9/2017 Lotfi
 2019/0144187 A1 5/2019 Hartman et al.

OTHER PUBLICATIONS

“Single Cake Slice Box”, printed from www.homeshopcatalogue.co.uk/catalogue/single-cake-slice-pack-p-79201.html?osCsid=rg9fcloqrsqks7uui96e72jbq2, publicly available at least as early as Mar. 30, 2018 (3 pages).

* cited by examiner

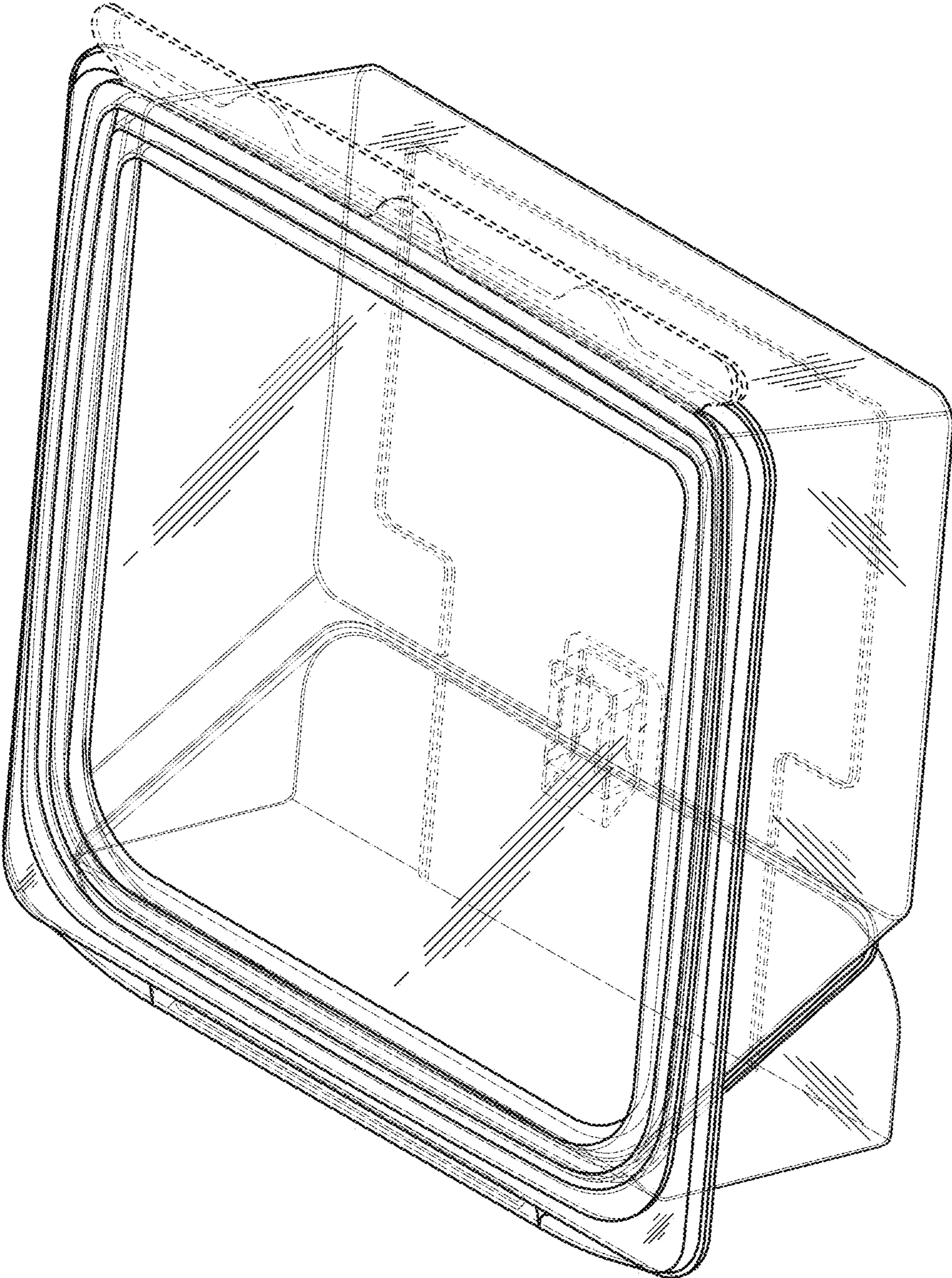


FIG. 1

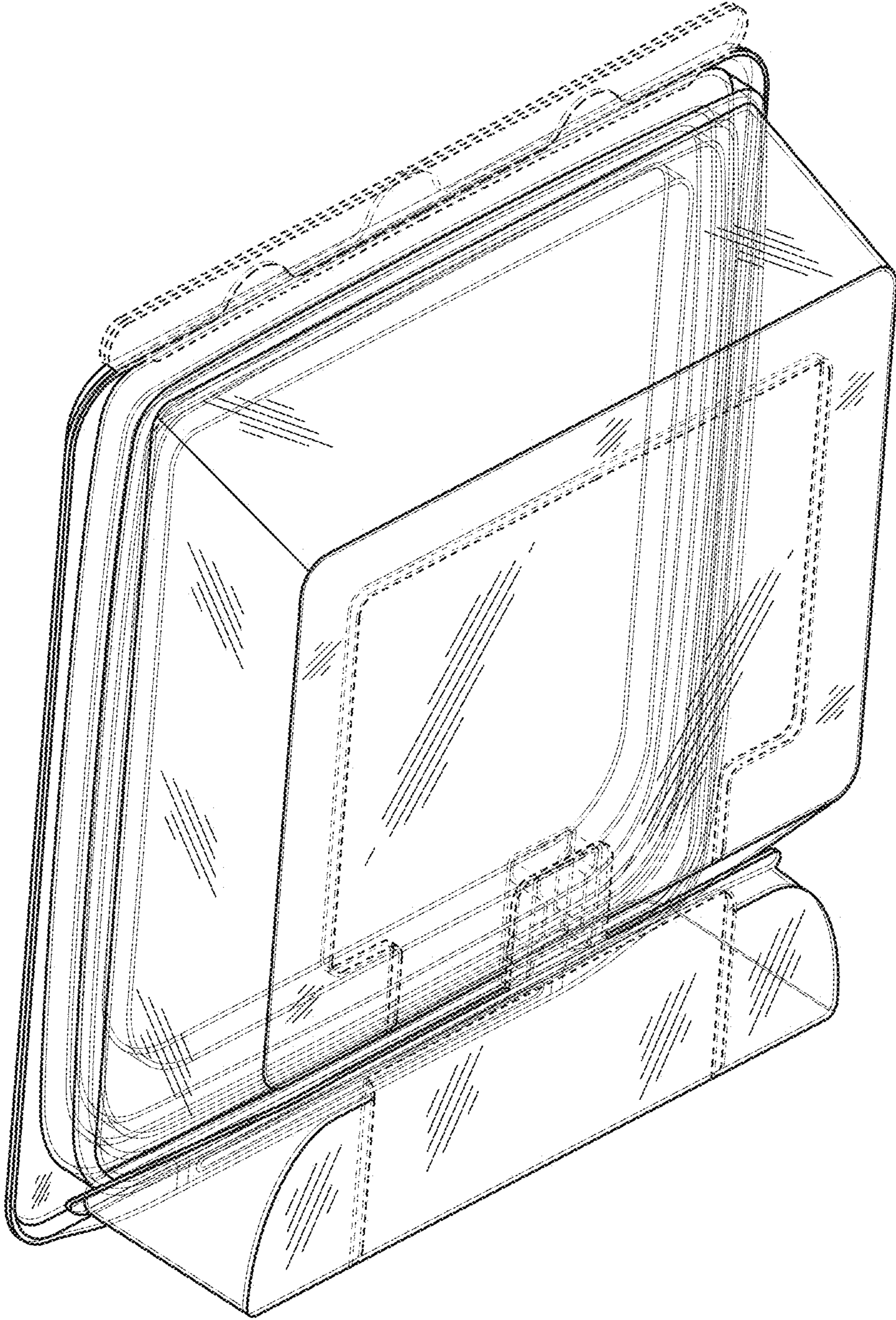


FIG. 2

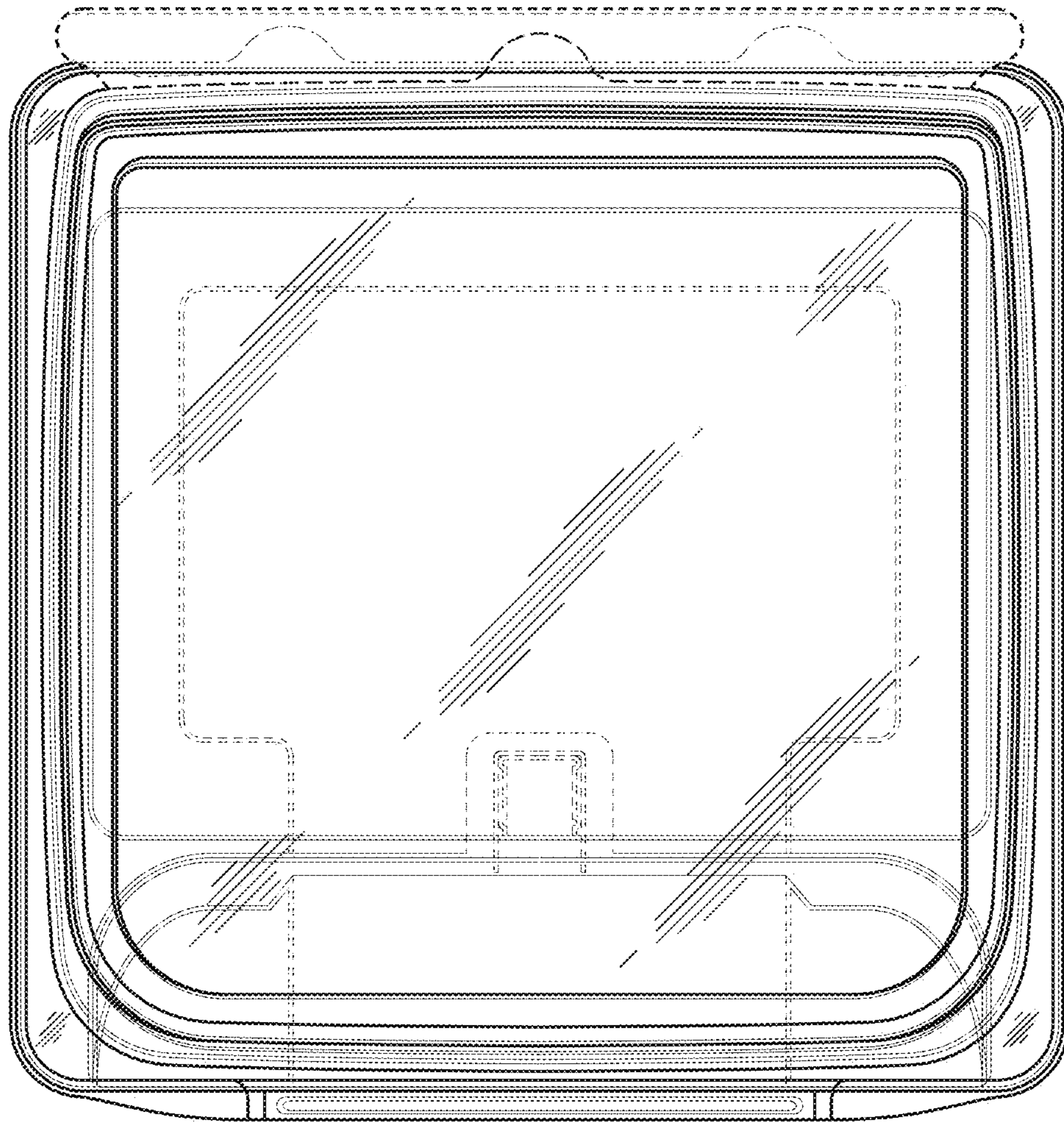


FIG. 3

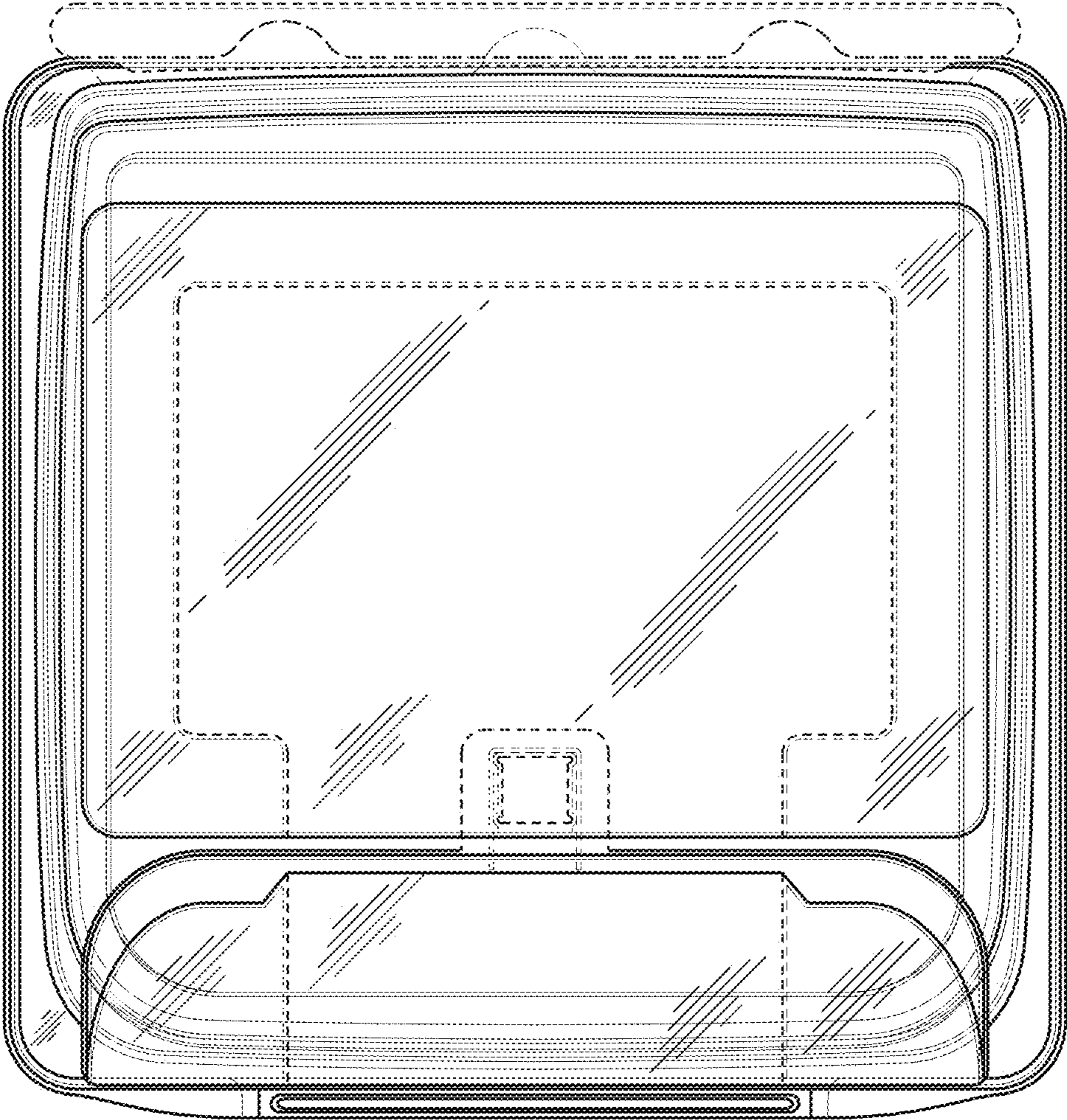


FIG. 4

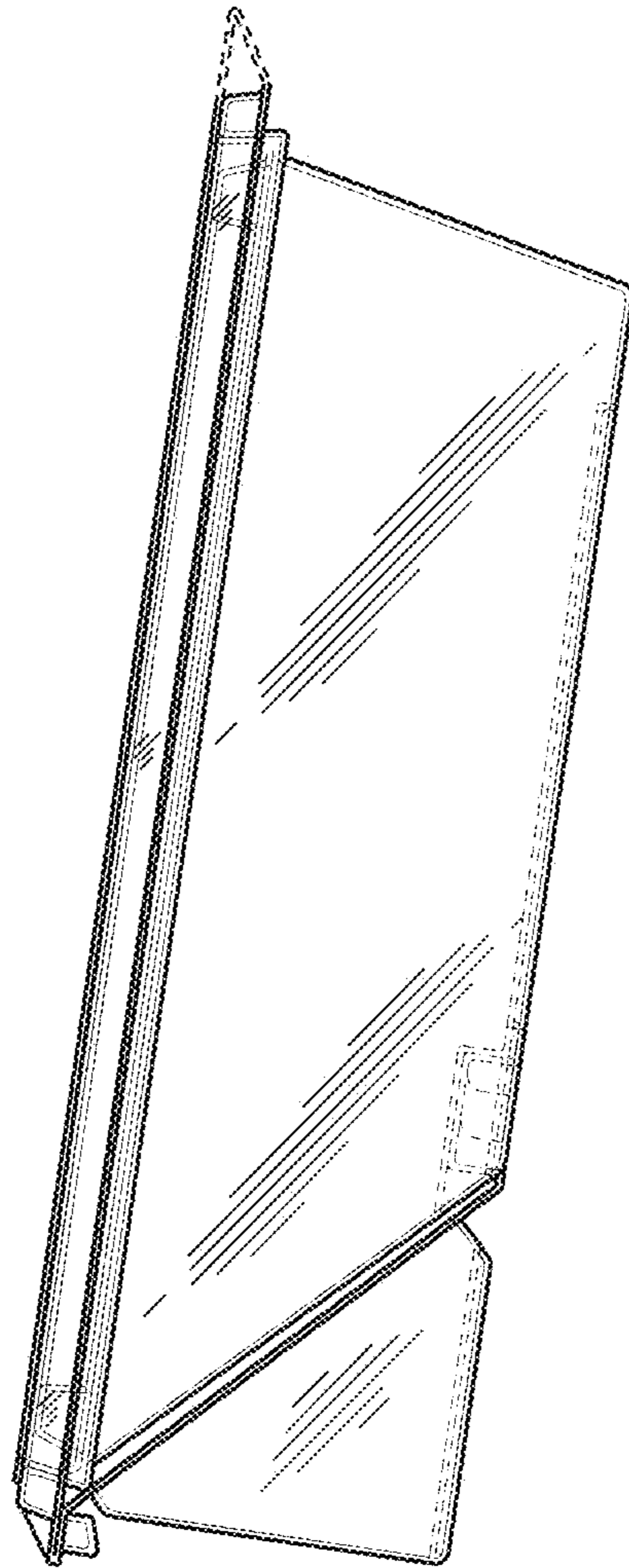


FIG. 5

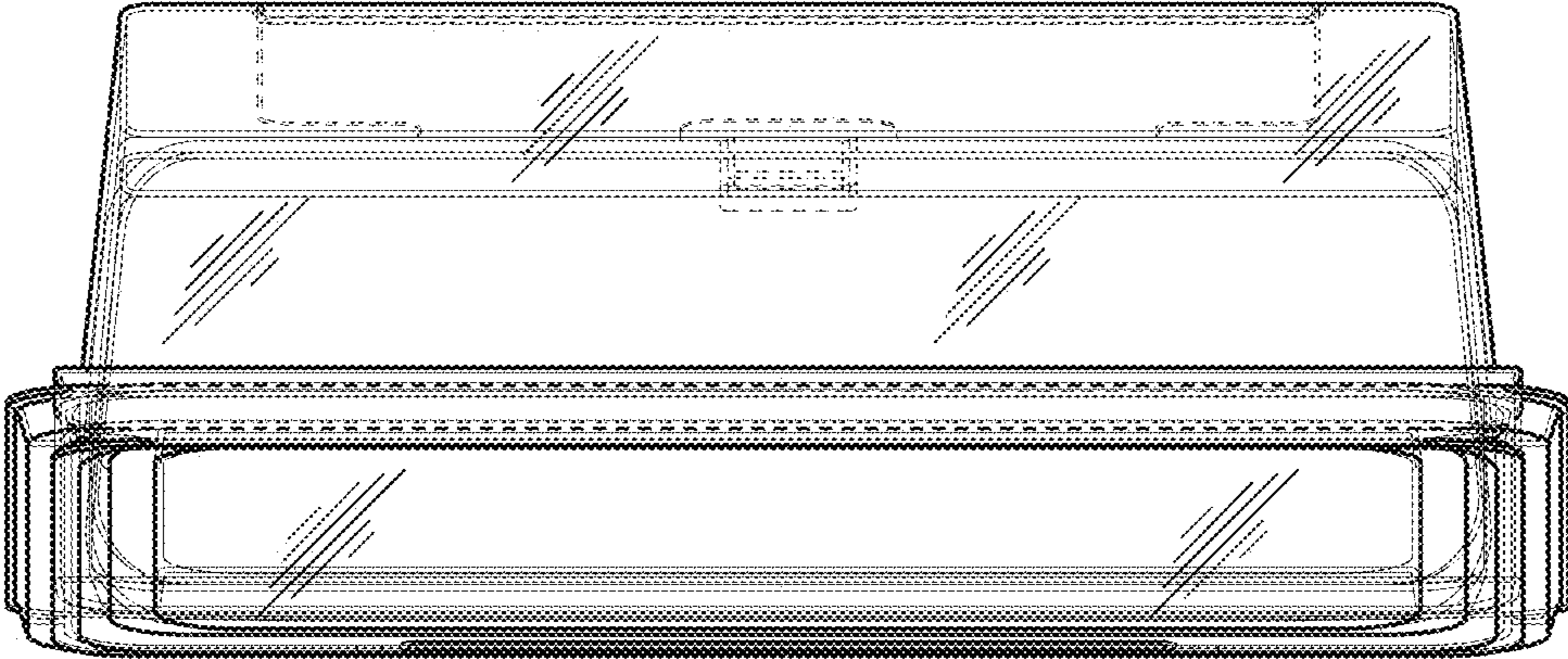


FIG. 6

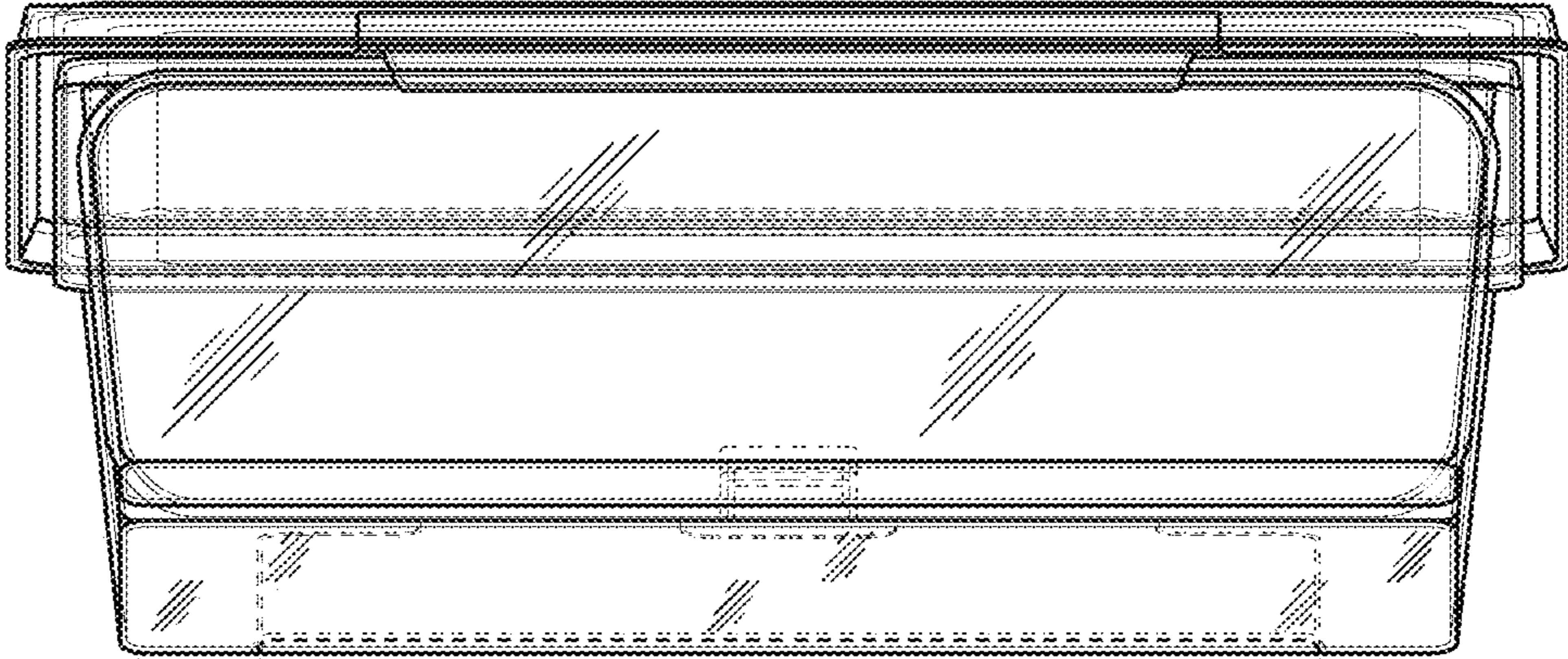


FIG. 7

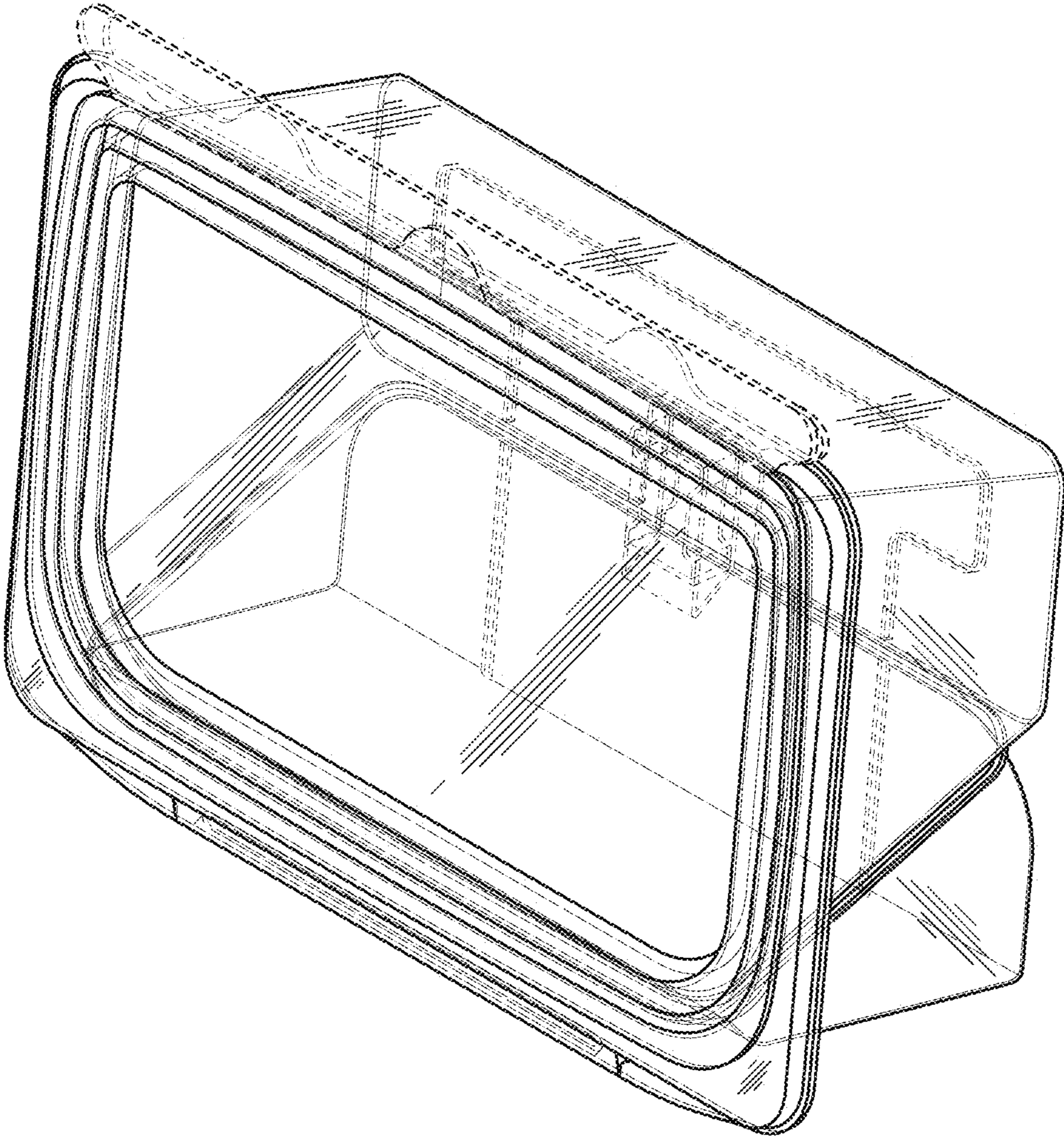


FIG. 8

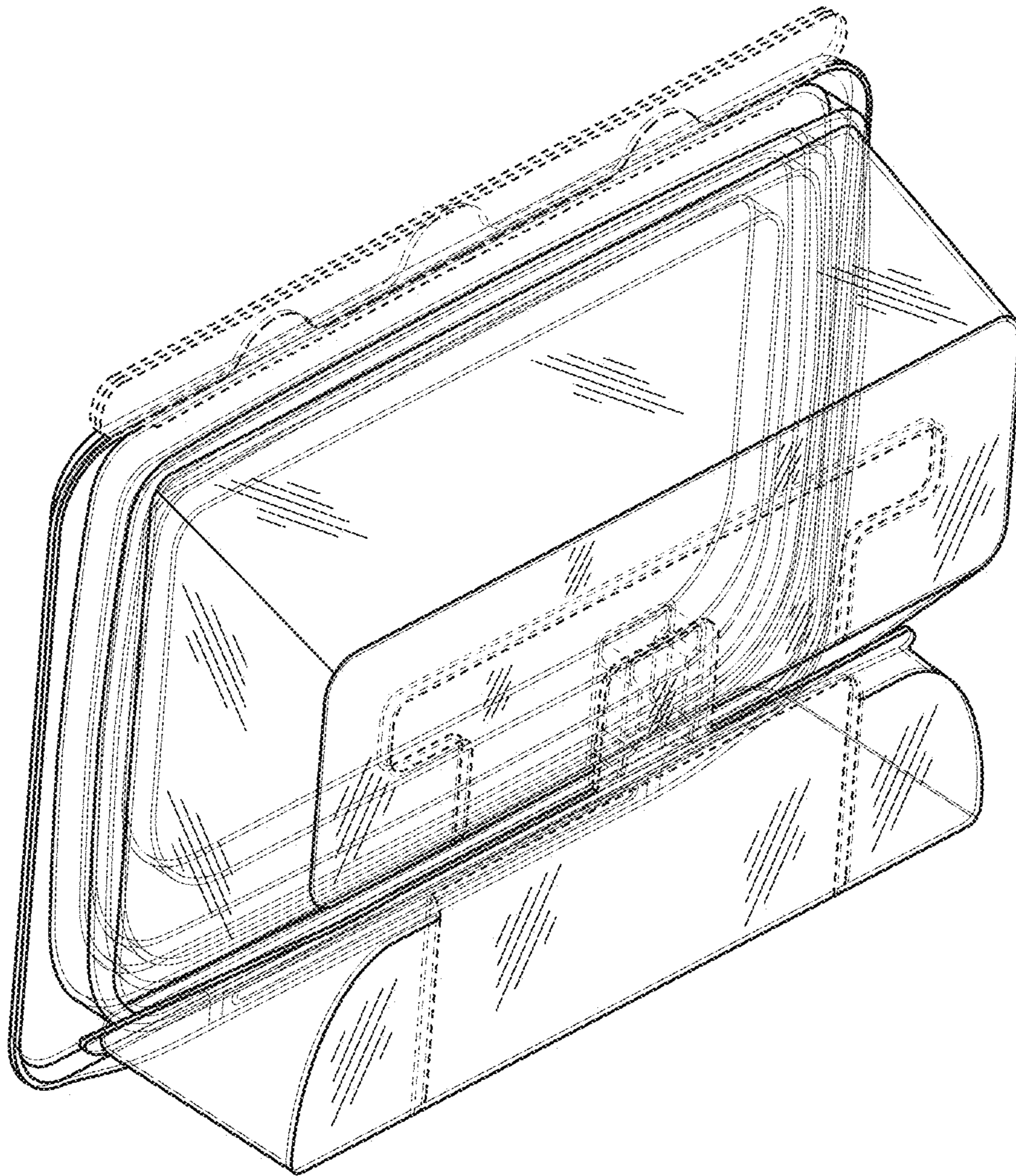


FIG. 9

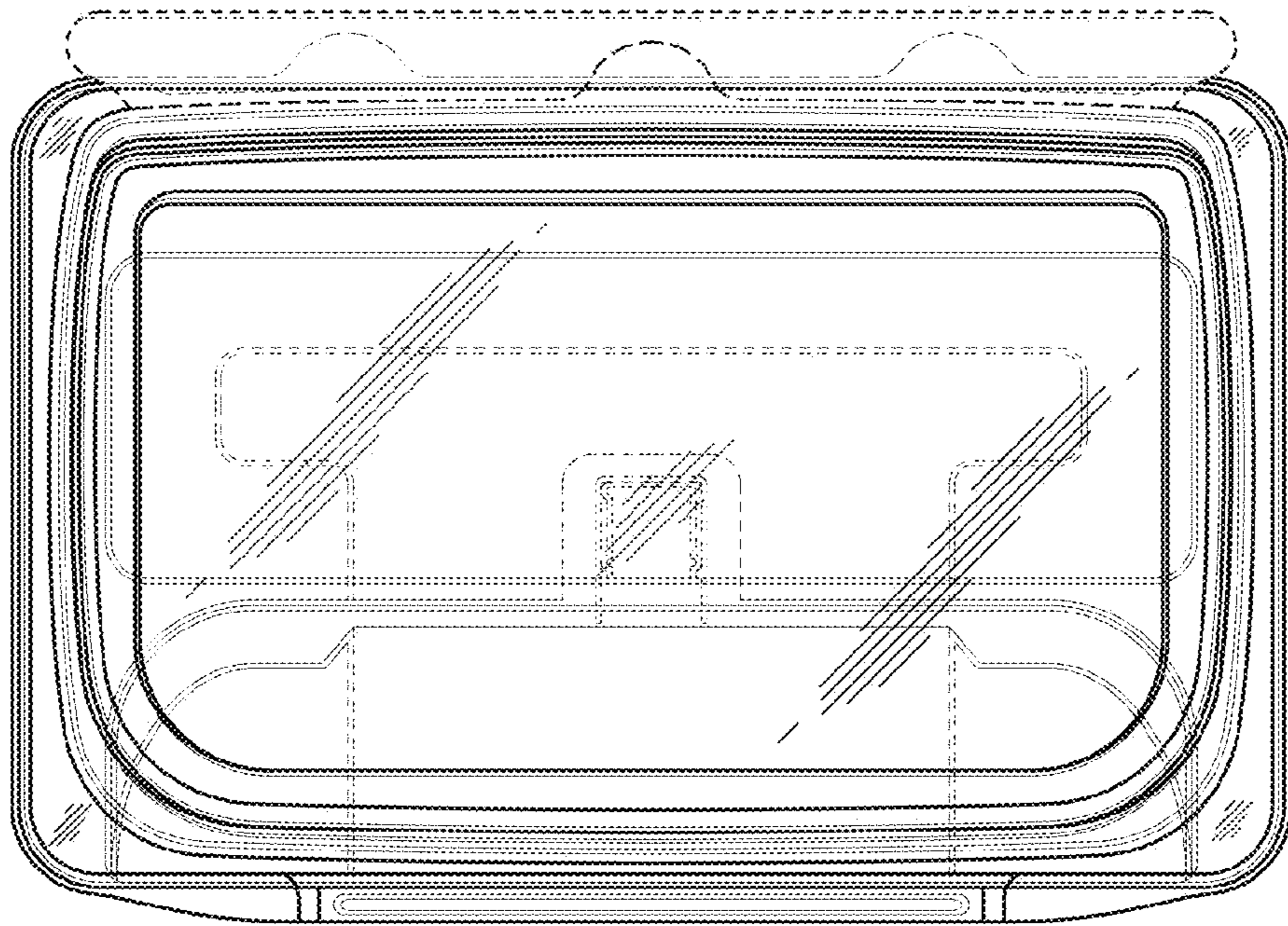


FIG. 10

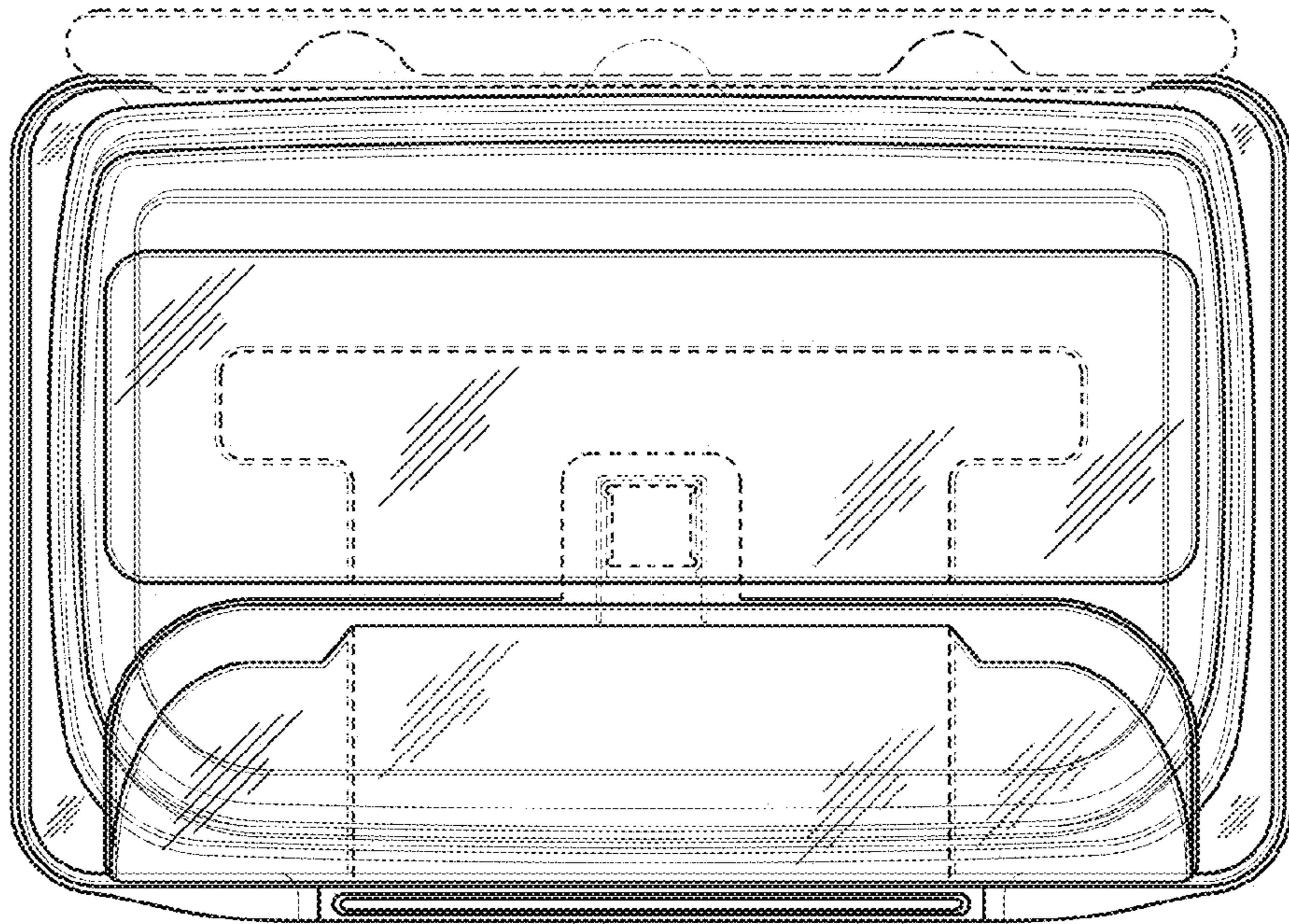


FIG. 11

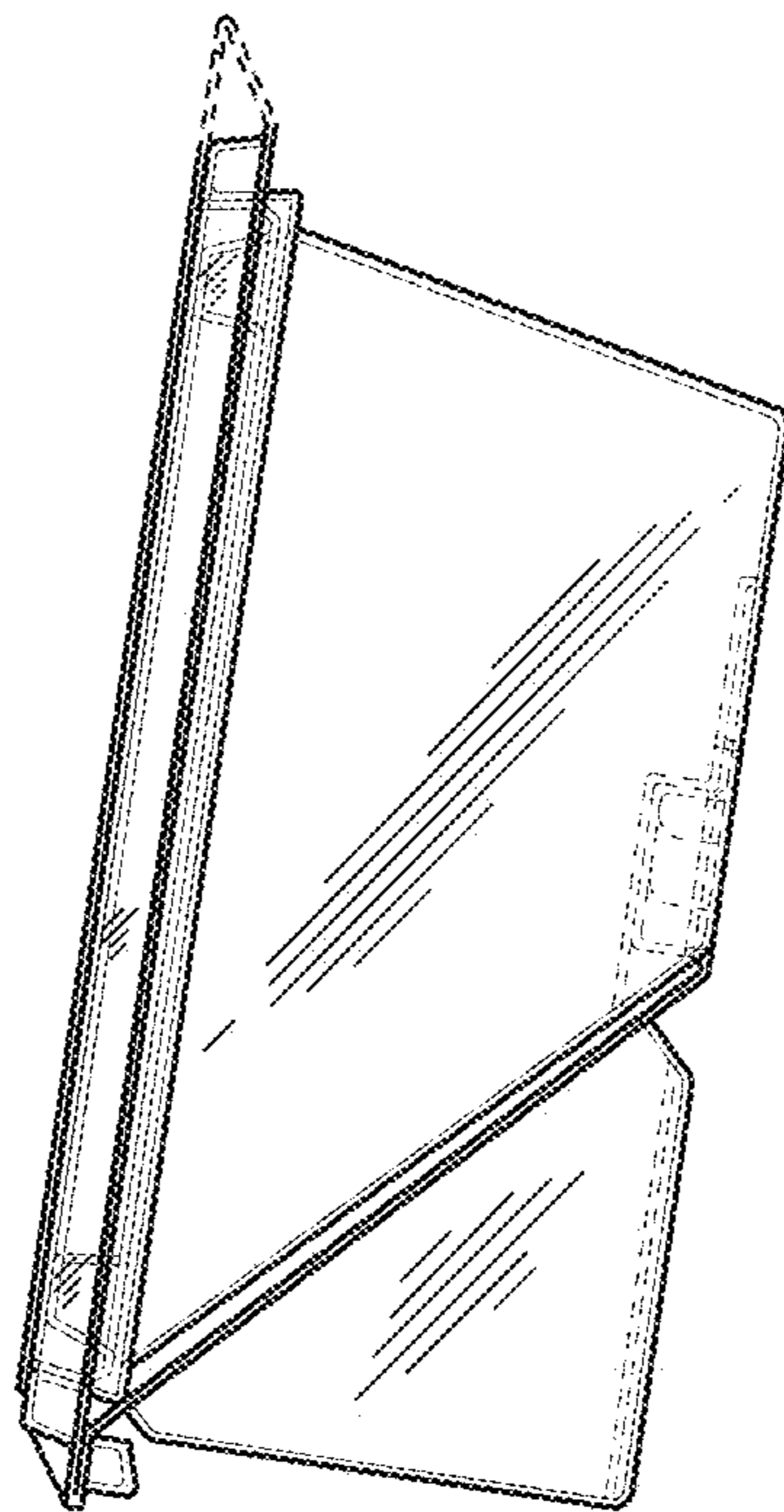


FIG. 12

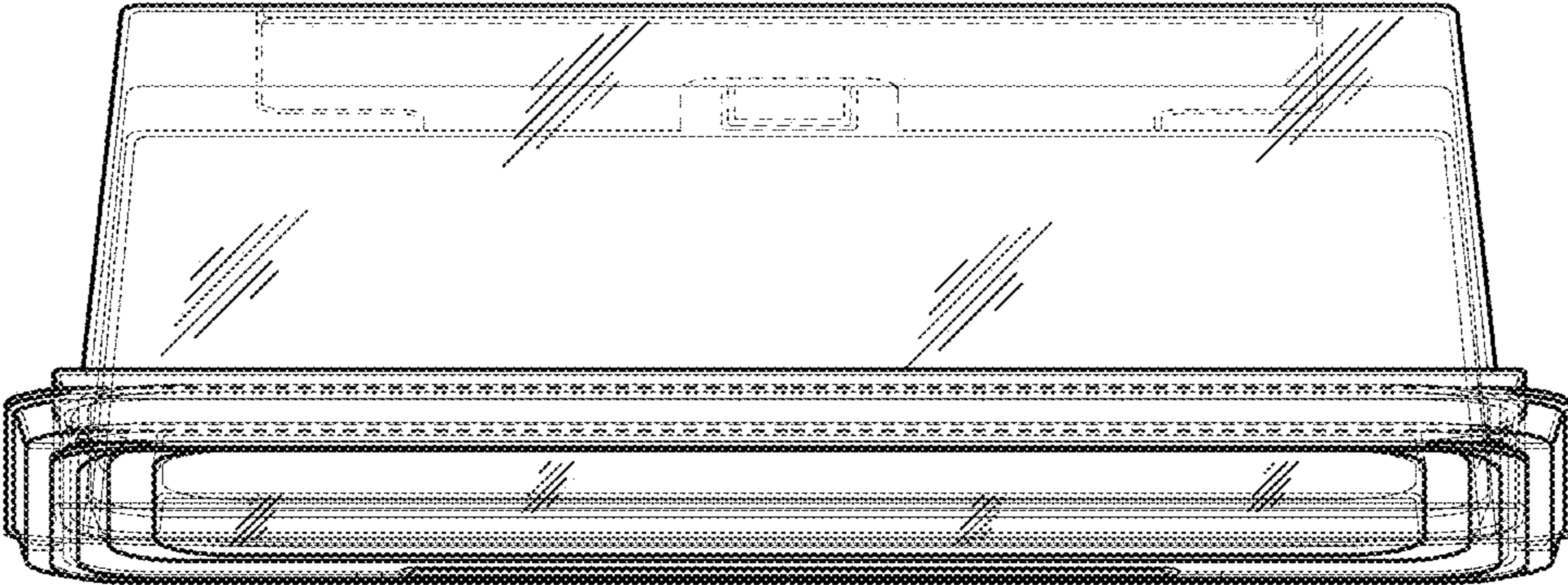


FIG. 13

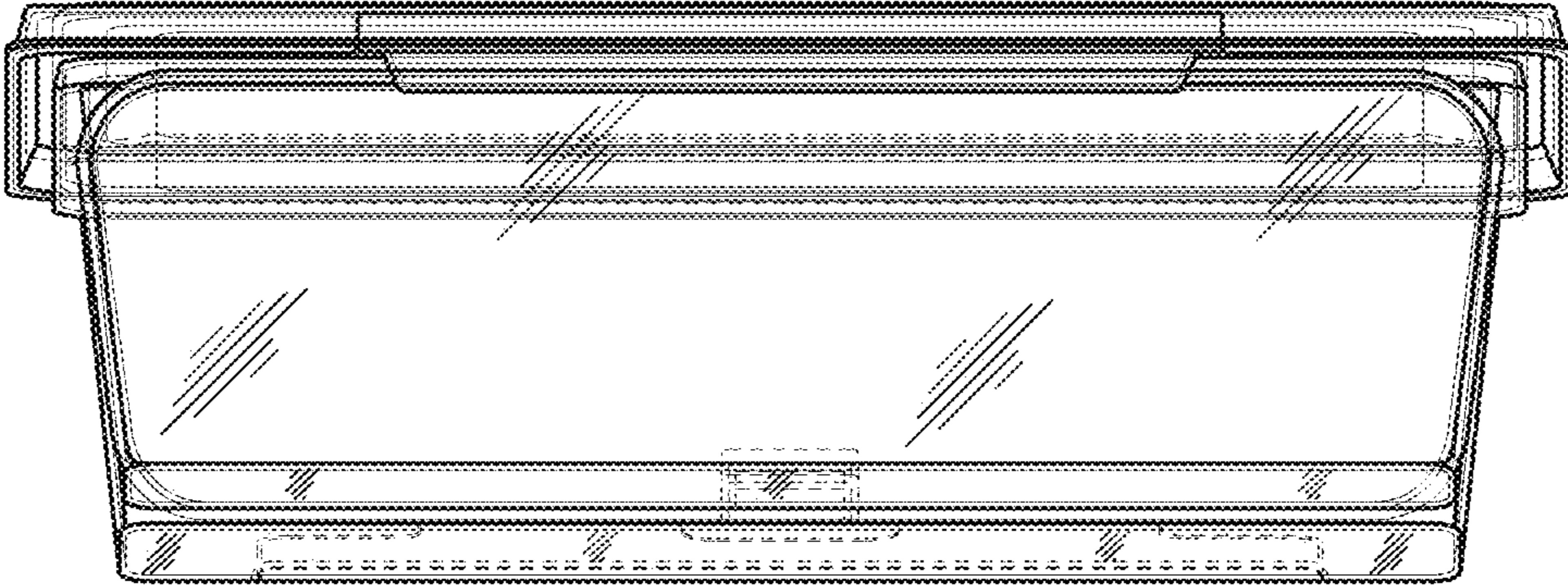


FIG. 14