



US00D912529S

(12) **United States Design Patent**  
**Quay**

(10) **Patent No.:** **US D912,529 S**  
(45) **Date of Patent:** **\*\* Mar. 9, 2021**

- (54) **PACKAGE FOR MEDICATION**
- (71) Applicant: **DOSELY, INC.**, Brooklyn, NY (US)
- (72) Inventor: **Erick Quay**, Brooklyn, NY (US)
- (73) Assignee: **DOSELY, INC.**, Brooklyn, NY (US)
- (\*\*) Term: **15 Years**
- (21) Appl. No.: **29/722,687**
- (22) Filed: **Jan. 31, 2020**
- (51) **LOC (13) Cl.** ..... **09-01**
- (52) **U.S. Cl.**  
USPC ..... **D9/732**
- (58) **Field of Classification Search**  
USPC ..... D9/414-423, 430-433, 456, 457, 722,  
D9/732  
CPC ..... B65D 75/327; B65D 83/0463; B65D  
2215/04; B65D 2585/56; B65D 2215/02;  
B65D 75/367; B65D 2575/3236; B65D  
2575/3245; B65D 83/0445  
See application file for complete search history.

(56) **References Cited**

**U.S. PATENT DOCUMENTS**

- D454,781 S \* 3/2002 Assargren ..... D9/732
- D831,330 S \* 10/2018 Kim ..... D3/203.1
- 10,206,851 B1 \* 2/2019 Gherdan, Jr. .... B65D 75/327
- D866,322 S \* 11/2019 Bennett ..... D9/432
- D877,625 S \* 3/2020 LoPrete ..... D9/732
- D882,243 S \* 4/2020 Marshall ..... D3/203.1
- 2003/0111379 A1 \* 6/2003 Intini ..... B65D 75/367  
206/531

- 2007/0068843 A1 \* 3/2007 Hession ..... B65D 5/728  
206/538
  - 2008/0093253 A1 \* 4/2008 Halko ..... A61J 7/04  
206/531
  - 2017/0112719 A1 \* 4/2017 O'Dwyer ..... A61J 1/035
- \* cited by examiner

*Primary Examiner* — Lauren R Calve  
(74) *Attorney, Agent, or Firm* — Ostrolenk Faber LLP

(57) **CLAIM**

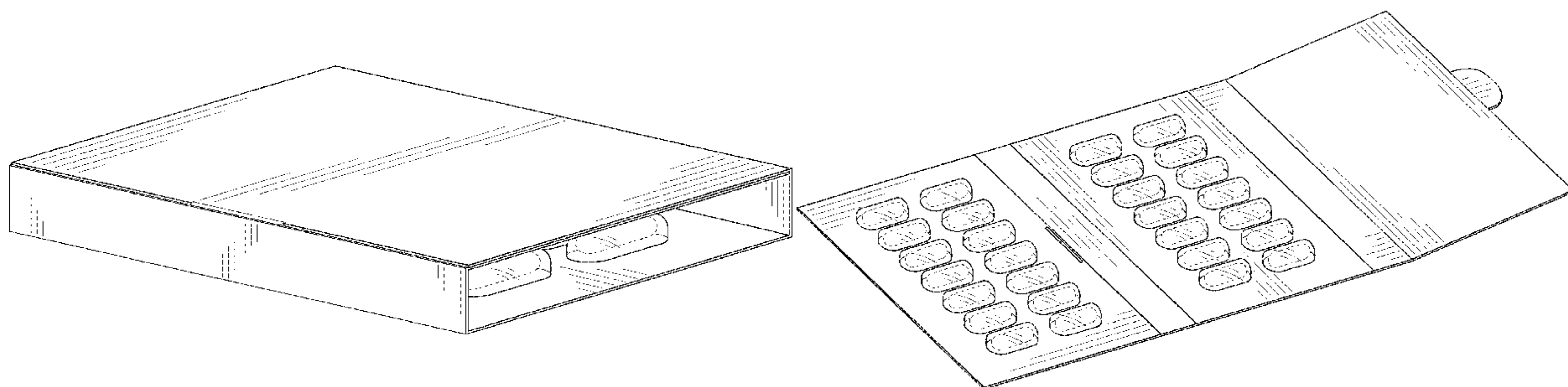
The ornamental design for package for medication, as shown and described.

**DESCRIPTION**

FIG. 1 is a top perspective view of a package for medication in a closed position, showing my new design;  
 FIG. 2 is a left side elevational view thereof;  
 FIG. 3 is a right side elevational view thereof;  
 FIG. 4 is a front end elevational view thereof;  
 FIG. 5 is a rear end elevational view thereof;  
 FIG. 6 is a top plan view thereof;  
 FIG. 7 is a bottom plan view thereof;  
 FIG. 8 is a bottom perspective view thereof;  
 FIG. 9 is a top perspective view thereof in a first open position;  
 FIG. 10 is a top perspective view thereof in a second open position; and,  
 FIG. 11 is a top perspective view thereof in a third open position.

The broken lines in the Figures illustrate environmental features and form no part of the claimed design.  
 The shading lines in the figures illustrate contours only, not surface ornamentation, and form no part of the claimed design.

**1 Claim, 9 Drawing Sheets**



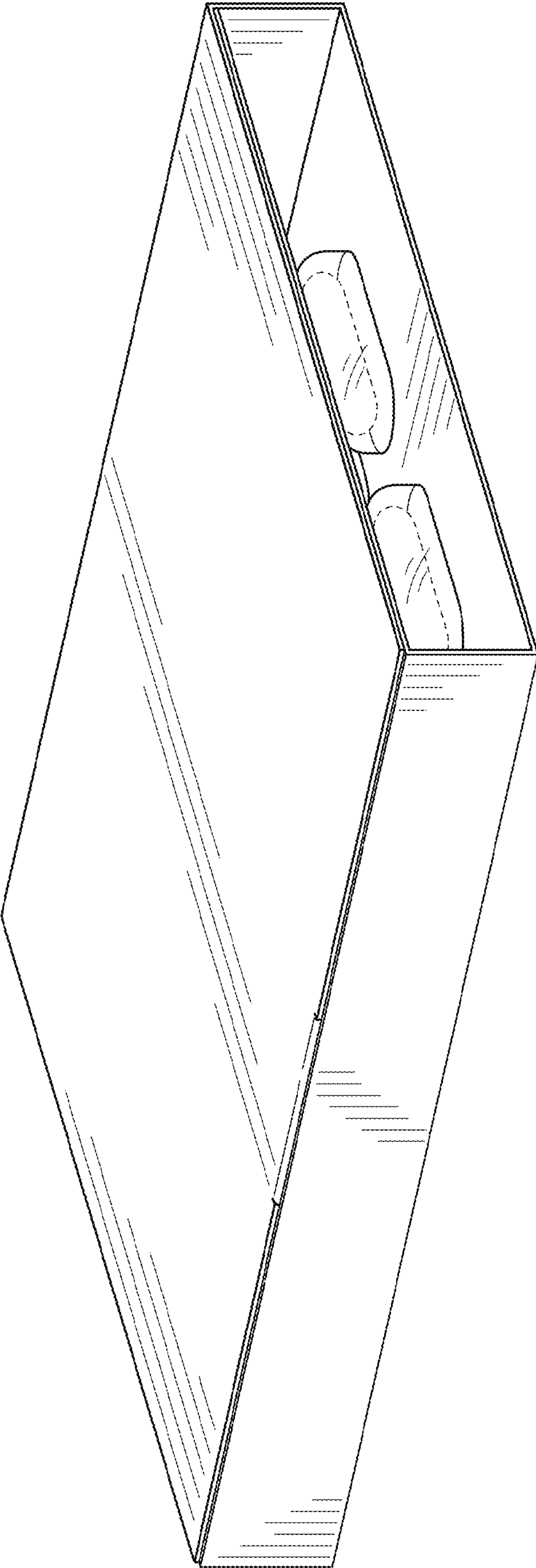


FIG. 1

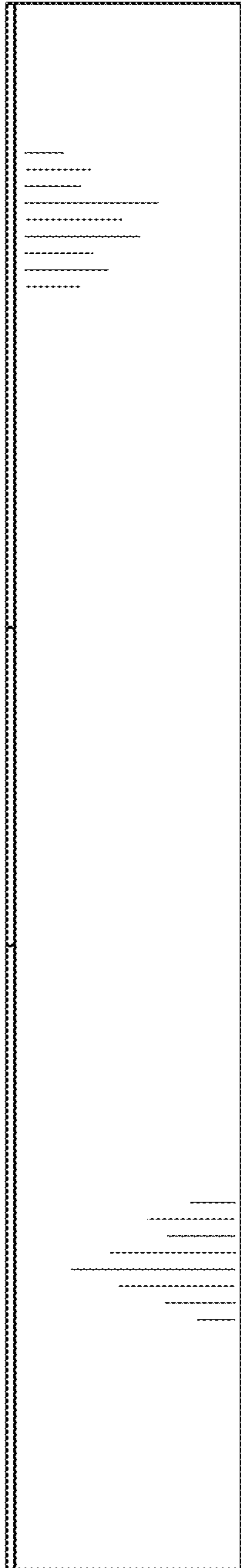


FIG. 2

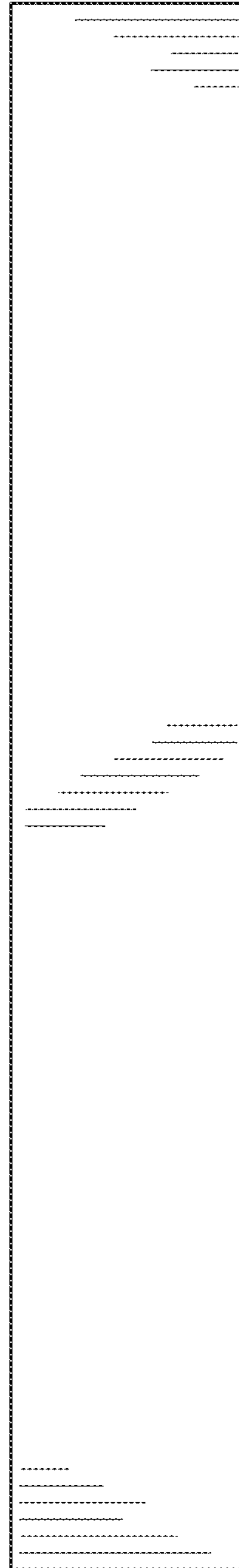


FIG. 3

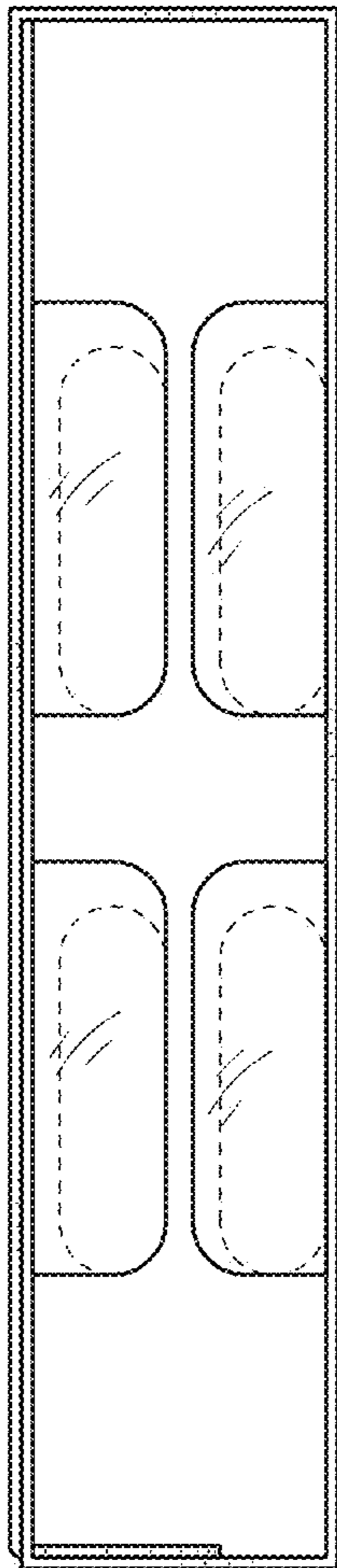


FIG. 4

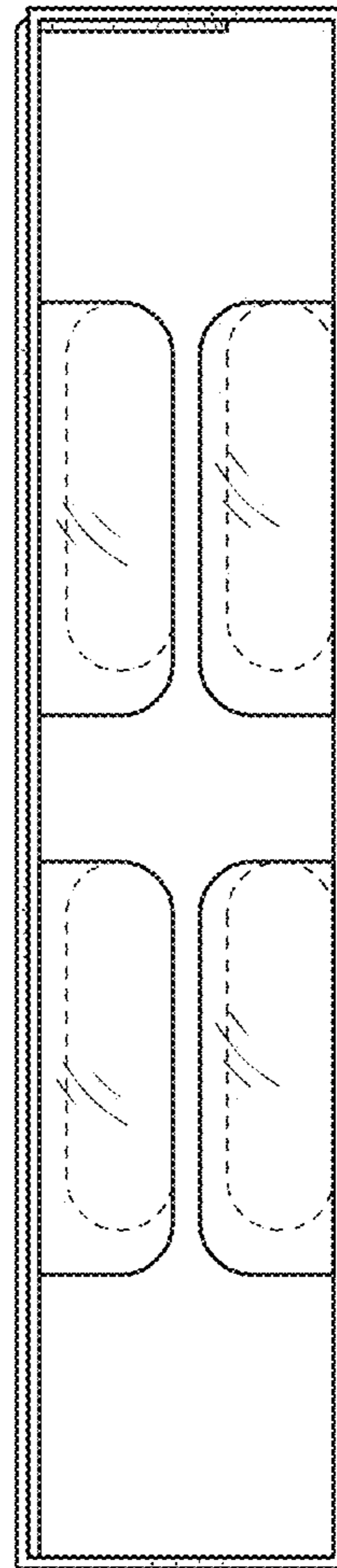


FIG. 5

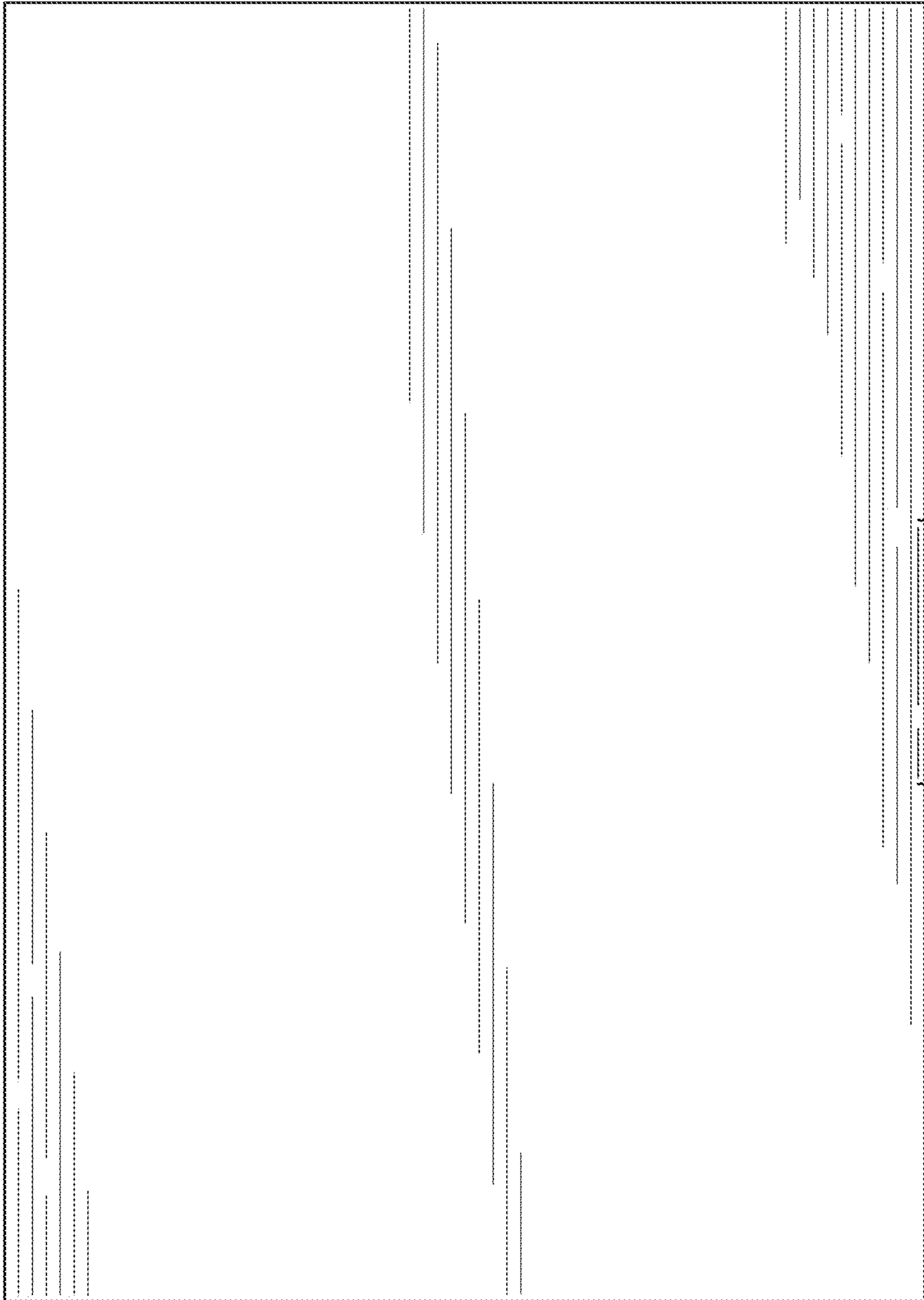


FIG. 6

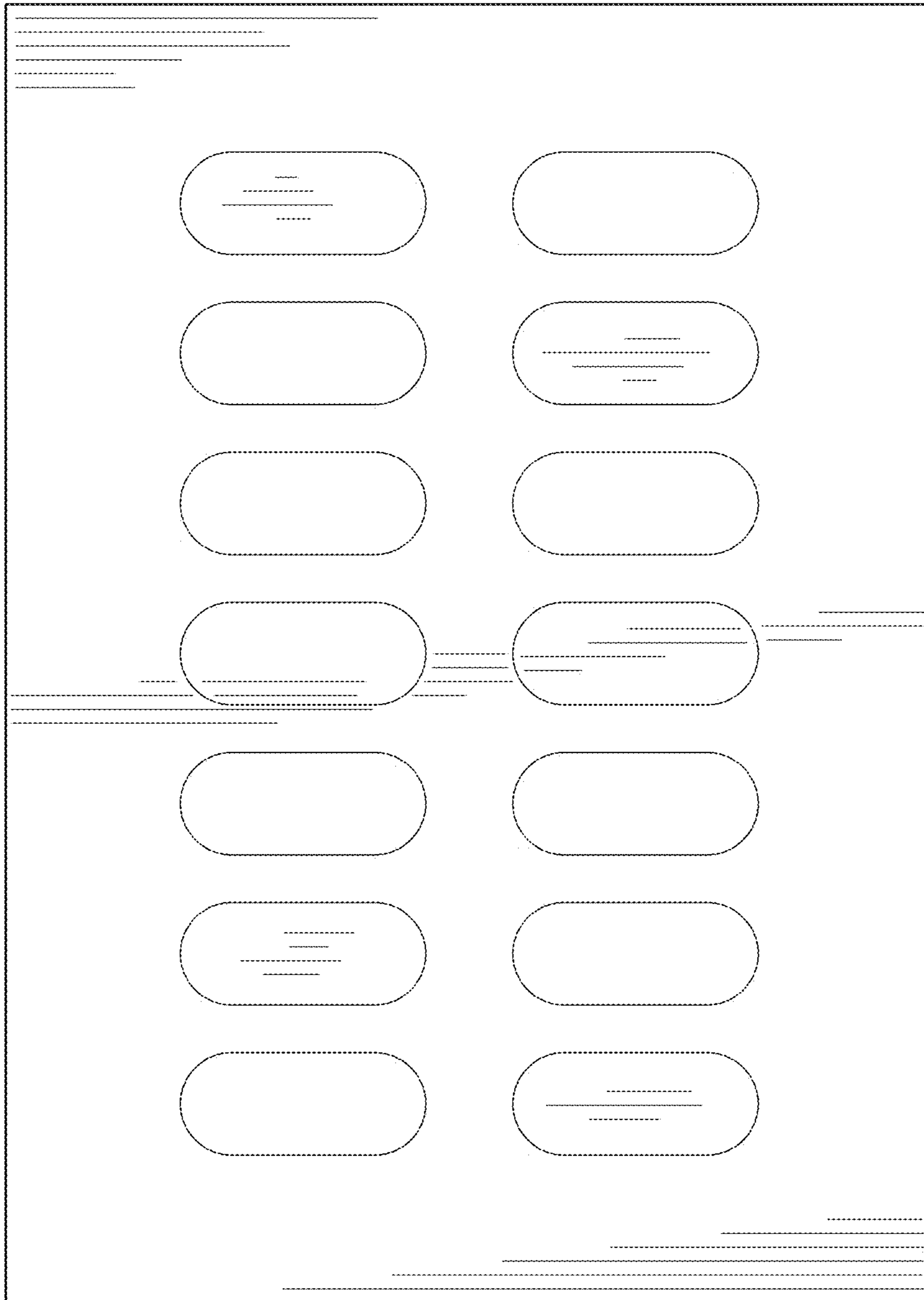


FIG. 7

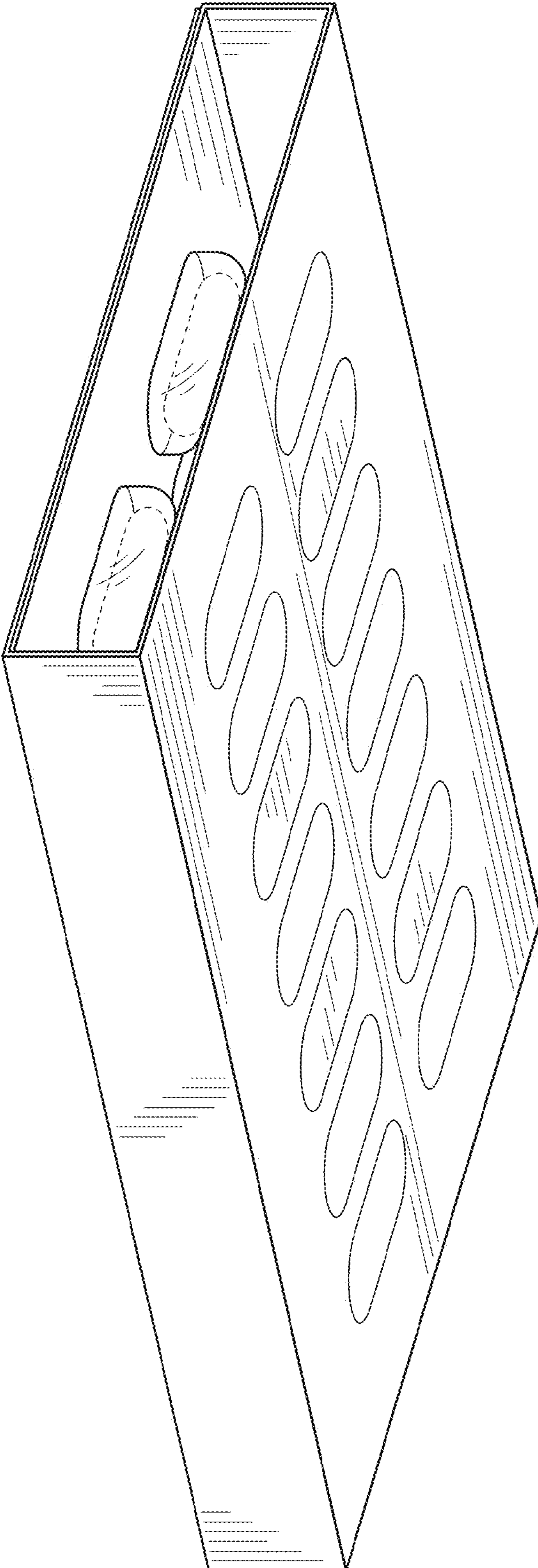


FIG. 8

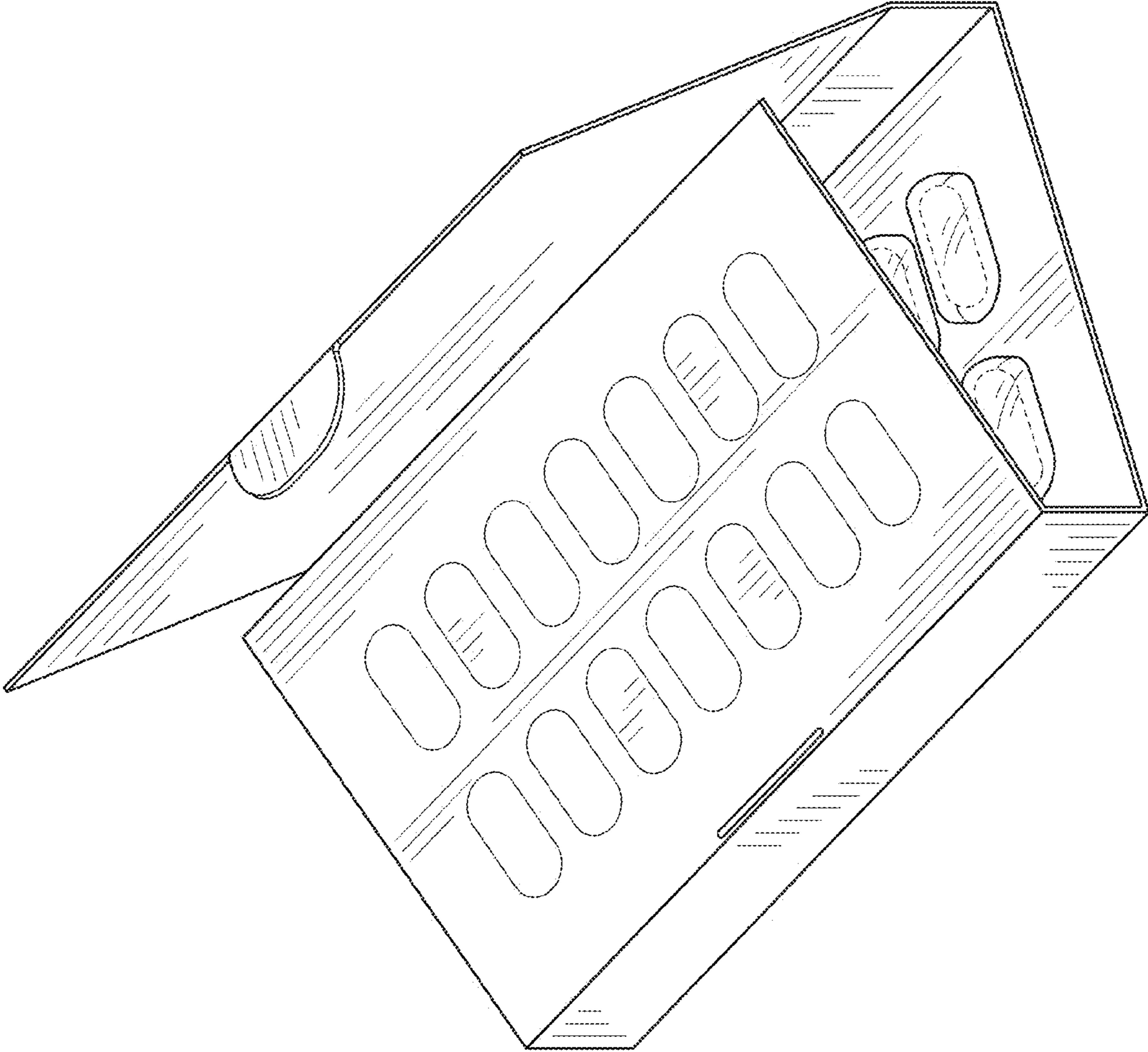


FIG. 9



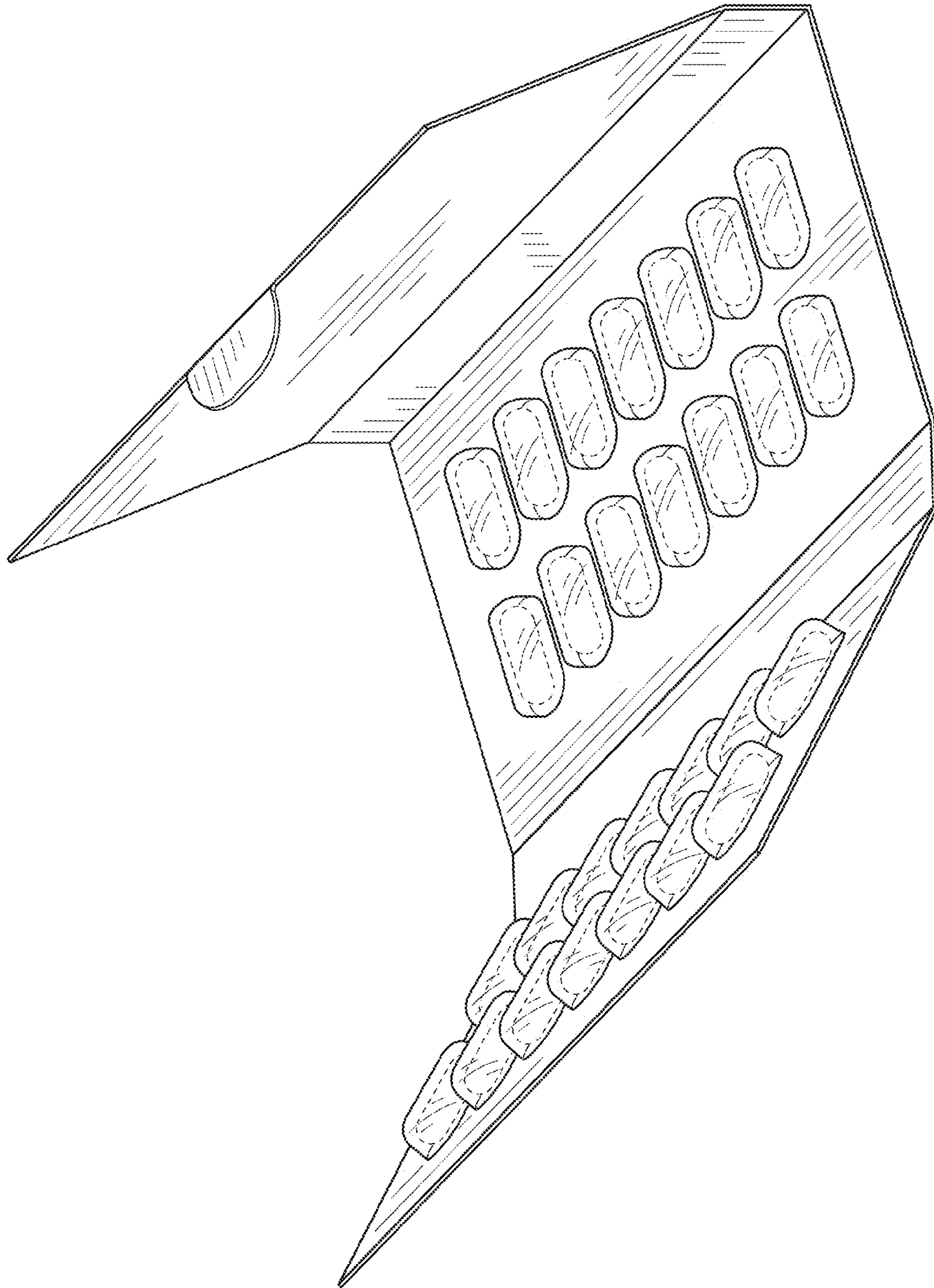


FIG. 10

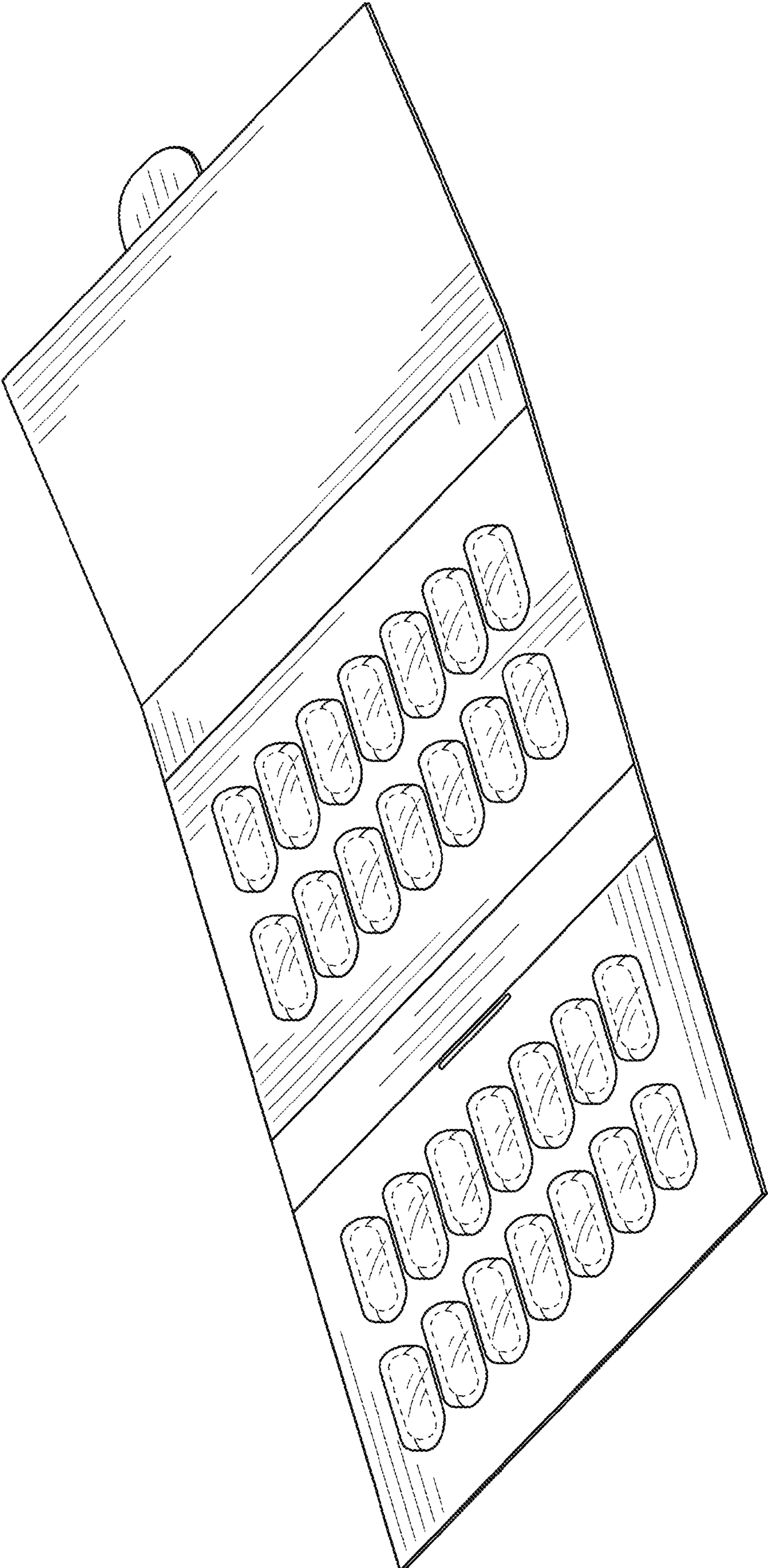


FIG. 11