



US00D912525S

(12) **United States Design Patent**
Sun

(10) **Patent No.:** **US D912,525 S**

(45) **Date of Patent:** **** Mar. 9, 2021**

(54) **POUCH**

(71) Applicant: **Wenjing Sun**, Shenzhen (CN)

(72) Inventor: **Wenjing Sun**, Shenzhen (CN)

(**) Term: **15 Years**

(21) Appl. No.: **29/751,283**

(22) Filed: **Sep. 20, 2020**

(51) **LOC (13) Cl.** **09-05**

(52) **U.S. Cl.**
USPC **D9/702**

(58) **Field of Classification Search**

USPC D9/702-714, 719, 738-740, 517-518,
D9/522, 416, 435, 444, 460, 455, 414,
D9/499, 431-432; D7/560-562;
206/434, 426-427, 429-430, 485, 485.1,
206/499, 508, 431, 418-422, 588-594,
206/286, 299; 229/117.3, 185, 121, 122,
229/200, 207, 236, 87.01, 923, 922,
229/87.19, 87.18; 220/23.83;
383/118-120, 110, 108, 127, 83, 6, 26,
383/33, 78, 88; D3/303-307, 221, 226,
D3/232, 276, 315; 150/100, 107, 112,
150/118
CPC A45C 3/00; A45C 3/04; A45C 3/06; A45C
3/001; A45C 3/10; B65D 33/004; B65D
33/00; B65D 33/06; B65D 33/12; B65D
1/00; B65D 1/38; B65D 1/40; B65D
29/00; B65D 29/04; B65D 31/00; B65D
31/005; B65D 31/10; B65D 31/02; B65D
31/04; B65D 31/18; B65D 65/00; B65D
65/02; B65D 65/38; B65D 81/00; B65D
81/36

See application file for complete search history.

(56) **References Cited**

U.S. PATENT DOCUMENTS

D770,774 S 11/2016 Potters
D789,196 S * 6/2017 Waters D9/433
D876,947 S * 3/2020 Choi D9/415

* cited by examiner

Primary Examiner — Abraham Bahta

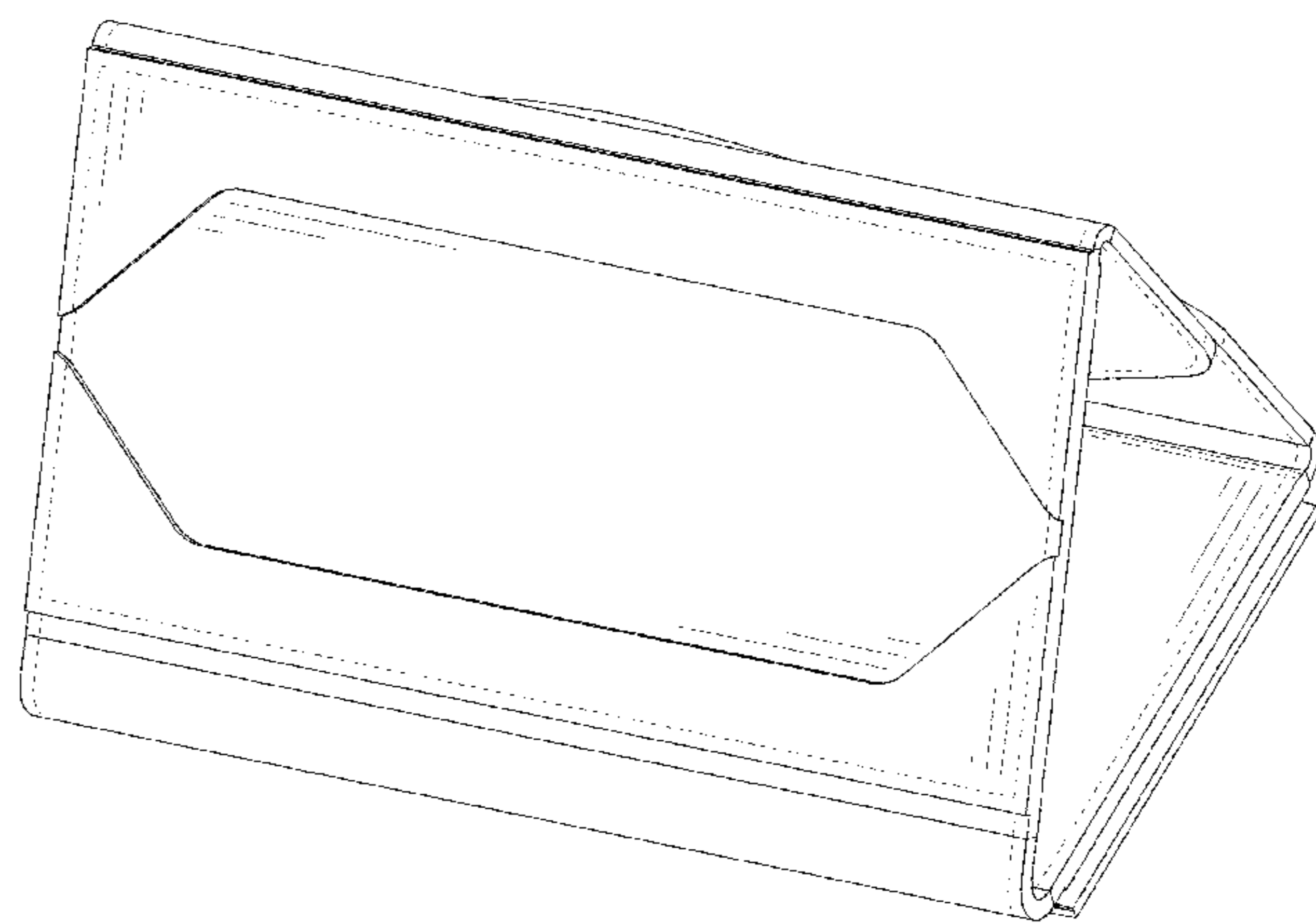
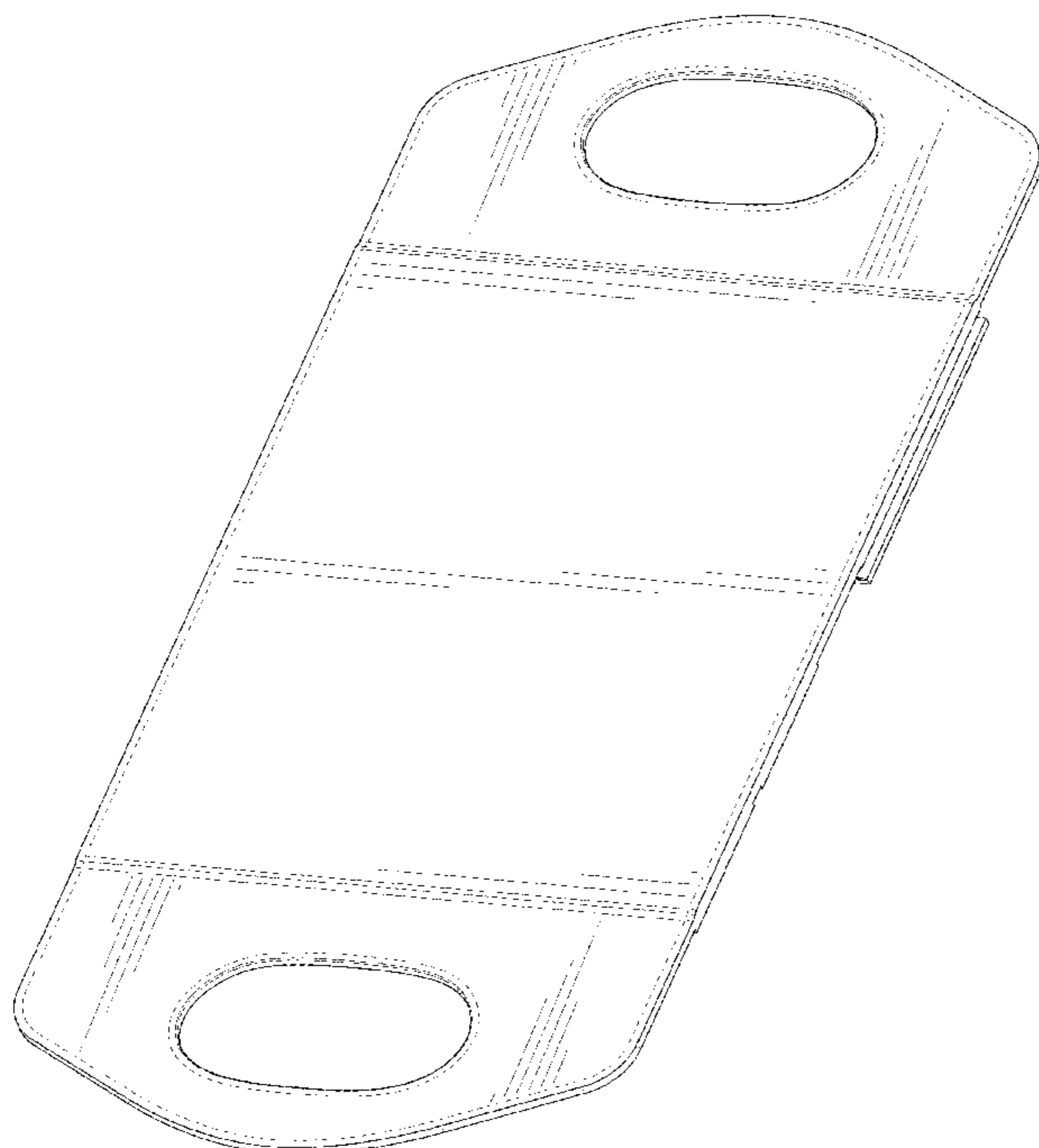
(57) **CLAIM**

The ornamental design for a pouch, as shown and described.

DESCRIPTION

FIG. 1 is a front perspective view of a pouch in unfolded configuration showing my new design; FIG. 2 is a rear perspective view thereof; FIG. 3 is a front elevational view thereof; FIG. 4 is a rear elevational view thereof; FIG. 5 is a left side elevational view thereof; FIG. 6 is a right side elevational view thereof; FIG. 7 is a top plan view thereof; FIG. 8 is a bottom plan view thereof; FIG. 9 is a perspective view wherein the pouch in a first folded configuration; and, FIG. 10 is another perspective view wherein the pouch in a second folded configuration. The broken lines in the drawings depict portions of the pouch that form no part of the claimed design.

1 Claim, 10 Drawing Sheets



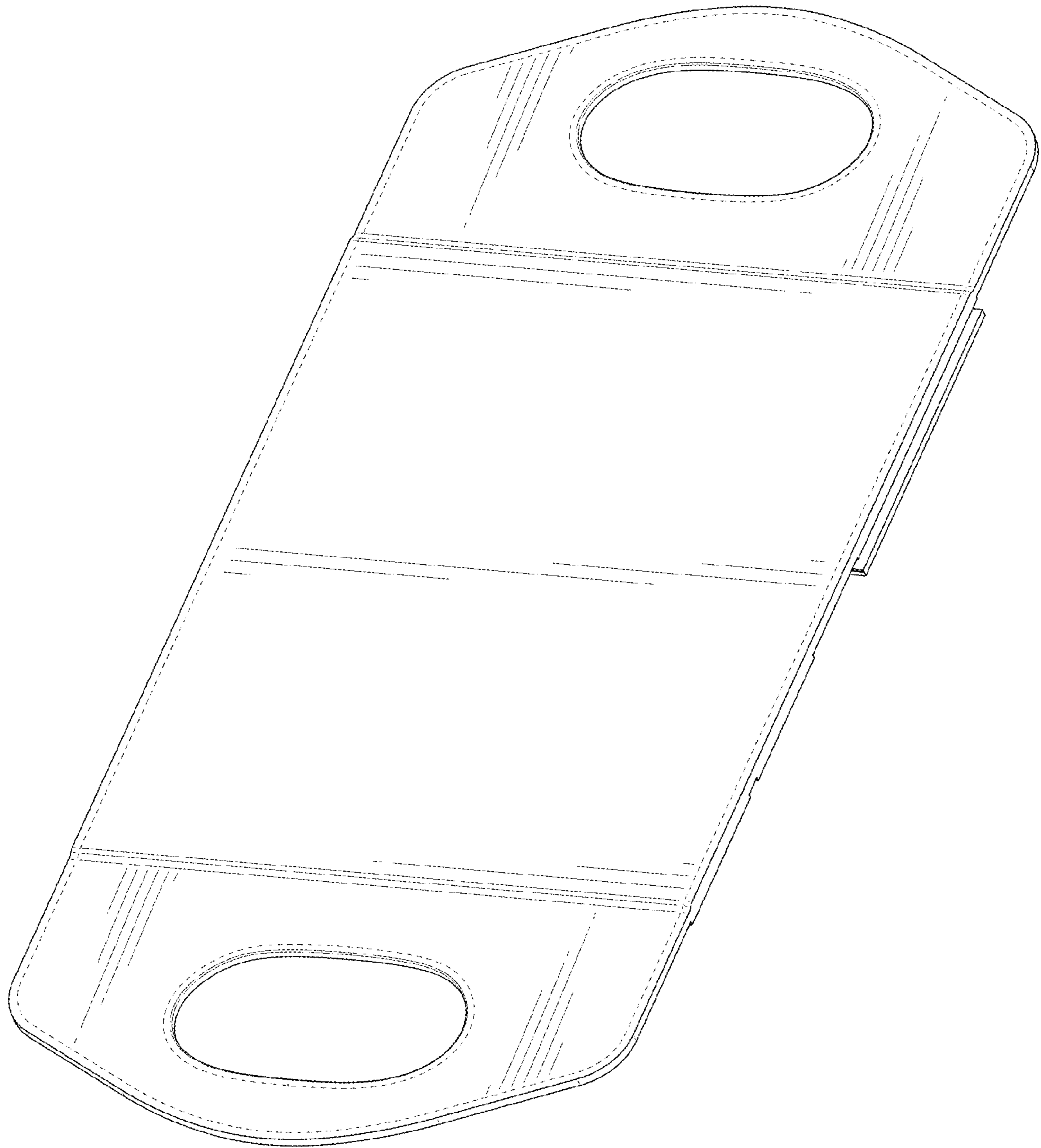


FIG. 1

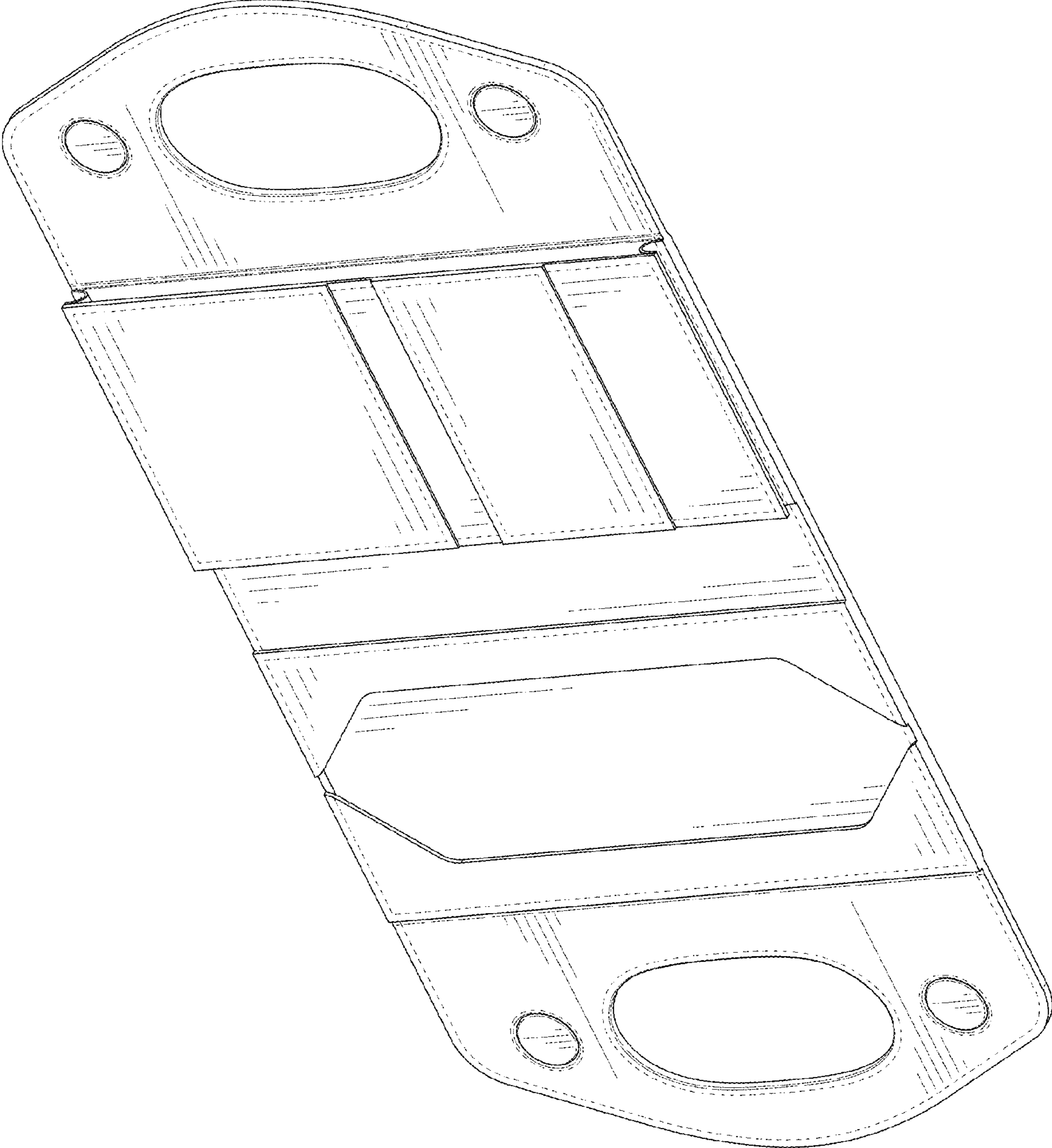


FIG. 2



FIG. 3

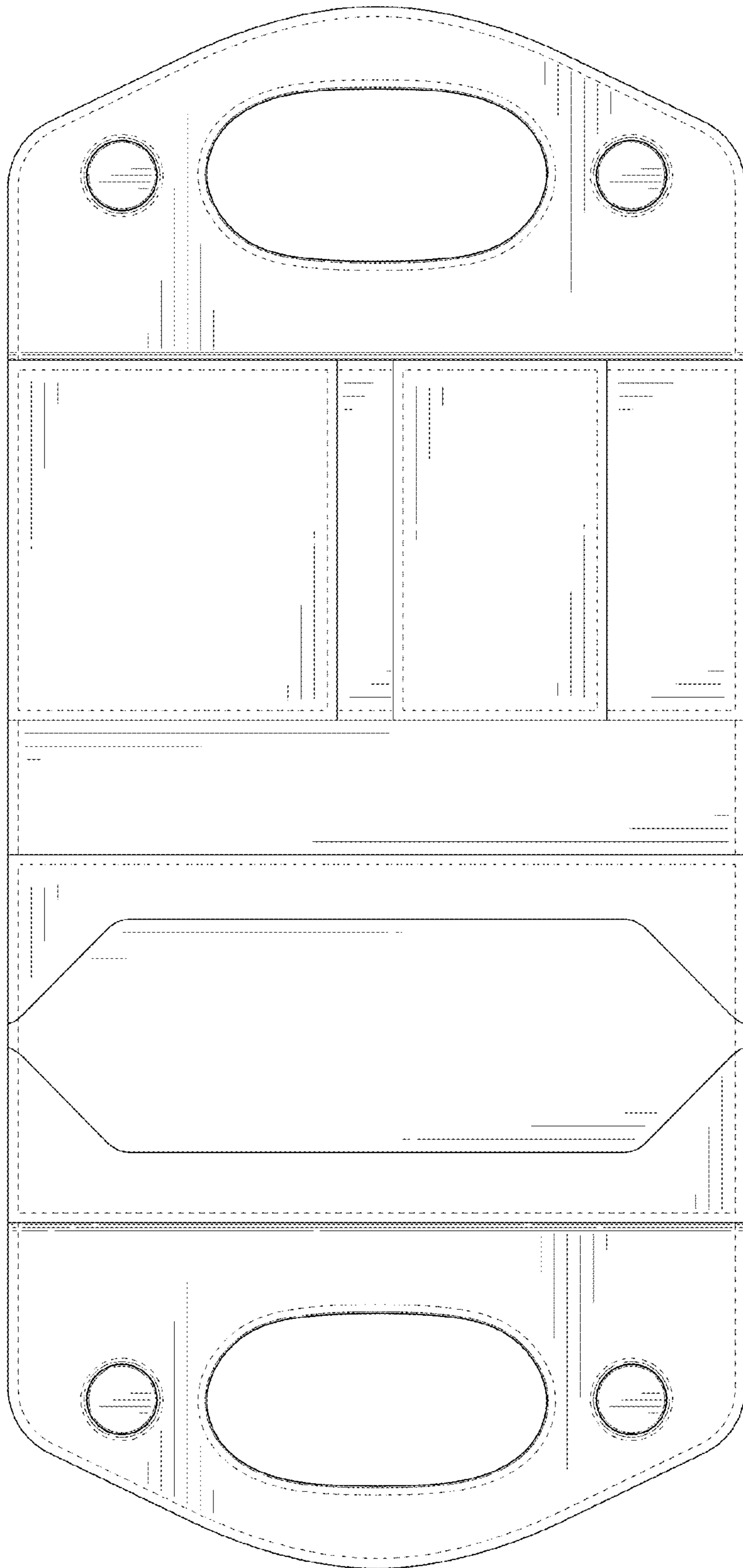


FIG. 4

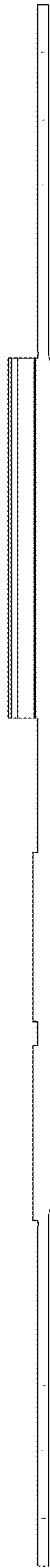


FIG. 5

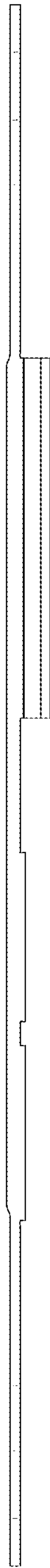


FIG. 6

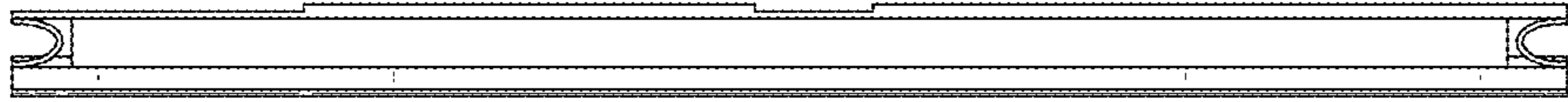


FIG. 7



FIG. 8

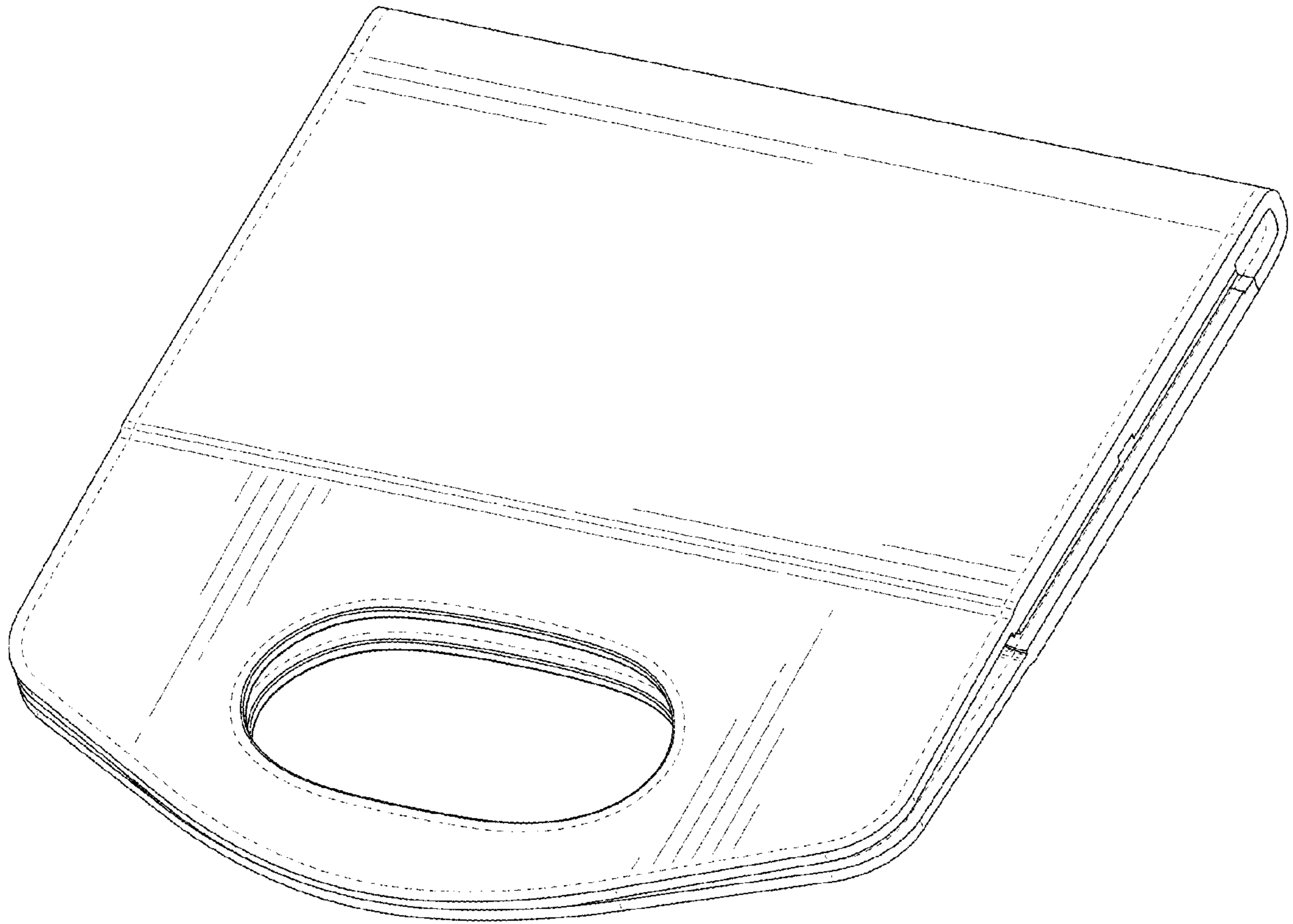


FIG. 9

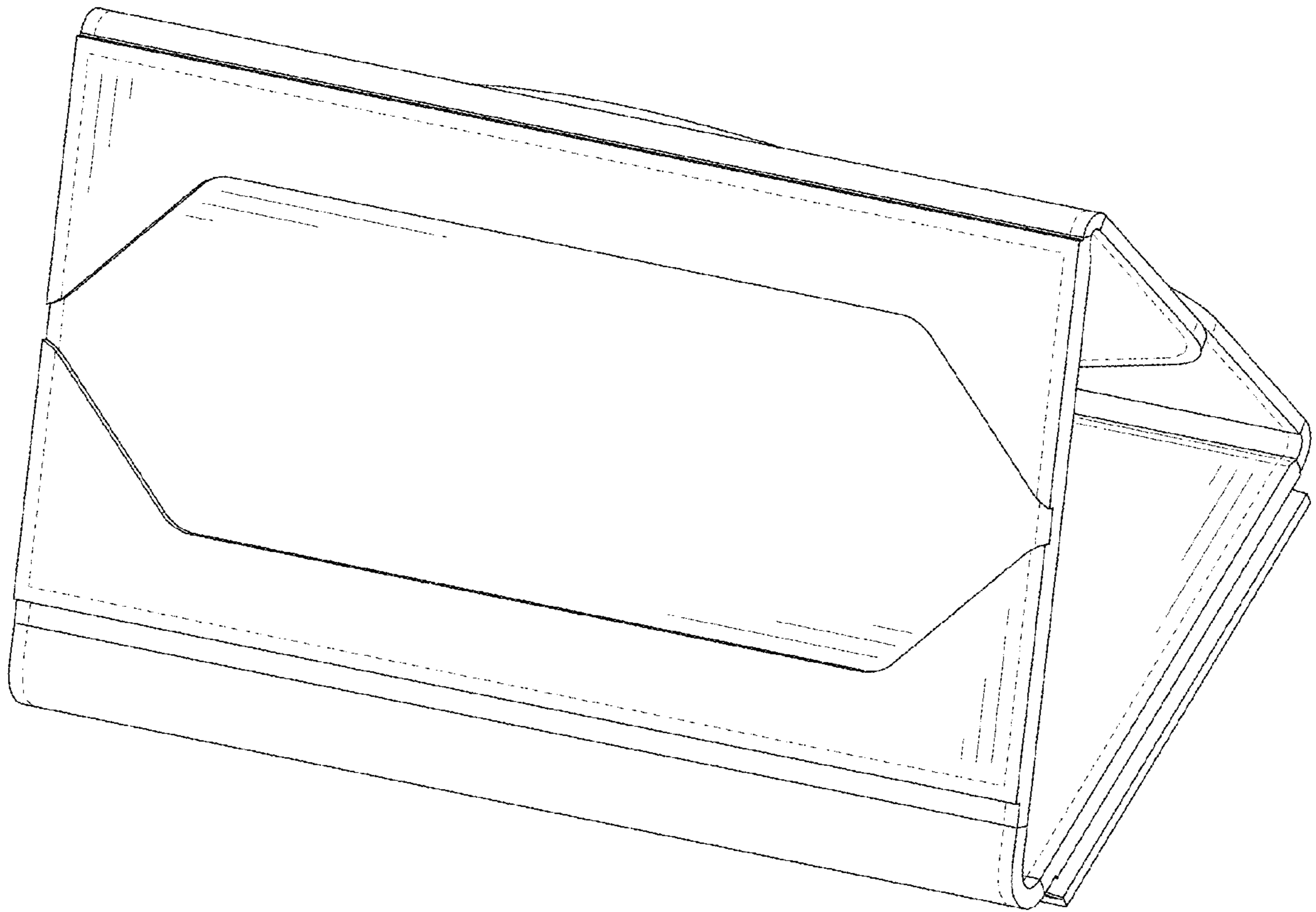


FIG. 10