



US00D912520S

(12) **United States Design Patent**  
**Kobayashi et al.**

(10) **Patent No.:** **US D912,520 S**  
(45) **Date of Patent:** **\*\* Mar. 9, 2021**

(54) **CONTAINER WITH PEDESTAL**

(71) Applicant: **AICELLO CORPORATION**,  
Toyohashi (JP)

(72) Inventors: **Masayoshi Kobayashi**, Toyohashi (JP);  
**Toshihiko Yorozyua**, Toyohashi (JP);  
**Yasuyuki Ota**, Toyohashi (JP)

(73) Assignee: **AICELLO CORPORATION**,  
Toyohashi (JP)

(\*\*) Term: **15 Years**

(21) Appl. No.: **29/679,644**

(22) Filed: **Feb. 8, 2019**

(30) **Foreign Application Priority Data**

Aug. 10, 2018 (JP) ..... 2018-017714

(51) **LOC (13) Cl.** ..... **09-01**

(52) **U.S. Cl.**  
USPC ..... **D9/548**

(58) **Field of Classification Search**

USPC ..... D3/10, 17, 29, 200, 202, 203.1, 207;  
D7/387, 391, 392, 392.1, 393, 396.1,  
D7/396.2, 398, 900; D8/300, 303, 321;  
D9/434, 435, 436, 444, 445, 454, 455,  
D9/456, 501, 516, 517, 520, 548, 767;  
D12/197, 200, 212; D19/96, 162, 163,  
D19/187, 194; D23/259, 260, 261;  
D24/111, 112, 127, 130, 194, 196, 197,  
(Continued)

(56) **References Cited**

**U.S. PATENT DOCUMENTS**

4,438,856 A \* 3/1984 Chang ..... B65D 23/001  
215/10  
D295,963 S \* 5/1988 Conlon ..... D24/227  
D307,721 S \* 5/1990 Barth ..... D9/455  
(Continued)

**FOREIGN PATENT DOCUMENTS**

JP 1221748 S 11/2004  
JP 1376896 S 12/2009  
(Continued)

**OTHER PUBLICATIONS**

Clean Containers: Announced Apr. 19, 2018 [online]. Site Visited  
[Nov. 13, 2020]. Available from Internet <https://www.cleancontainers.com/standard-clean-bottle/>.\*

(Continued)

*Primary Examiner* — Catherine S Posthauer  
(74) *Attorney, Agent, or Firm* — Collard & Roe, P.C.

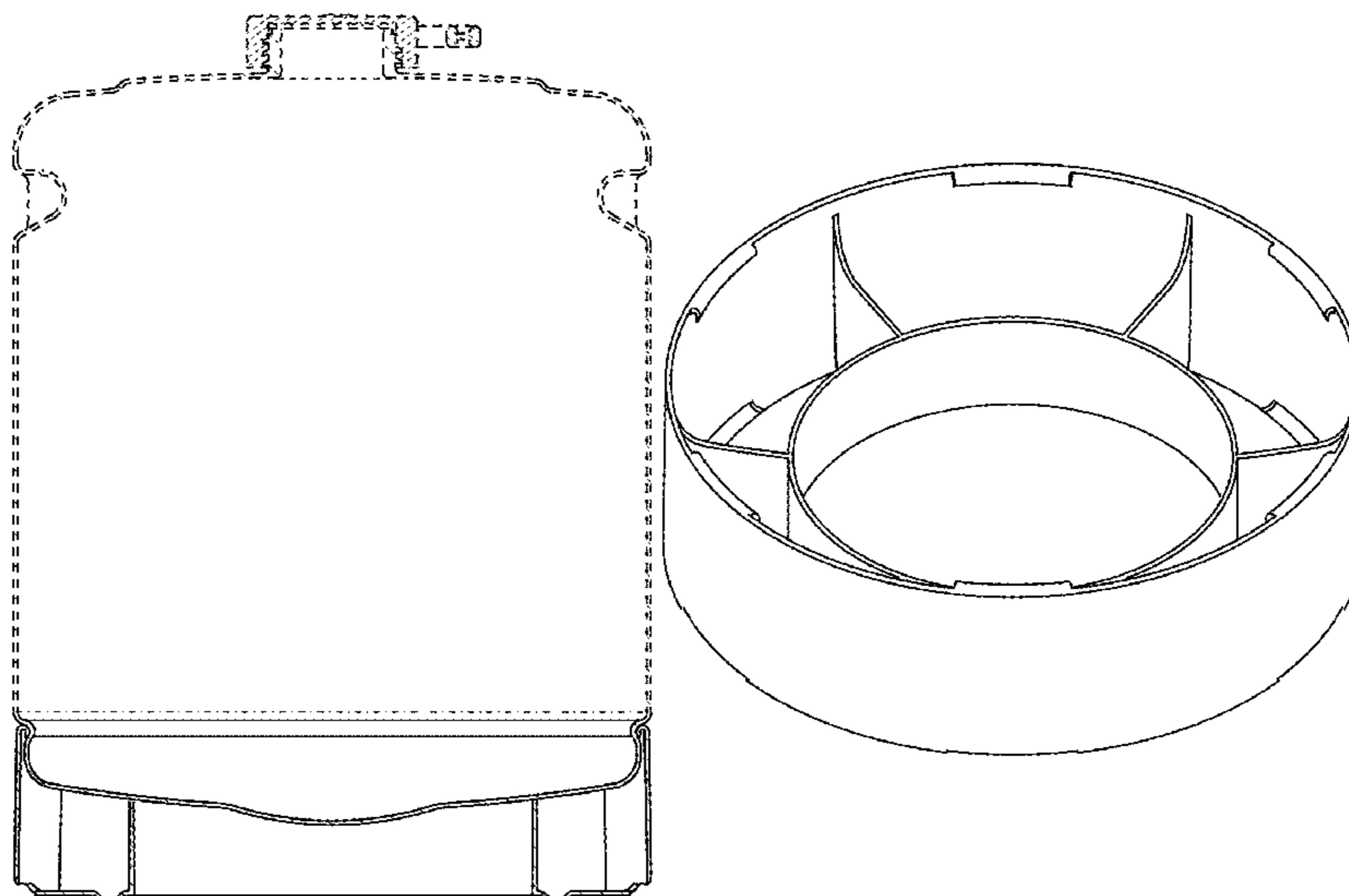
(57) **CLAIM**

The ornamental design for container with pedestal, as shown  
and described.

**DESCRIPTION**

FIG. 1 is a front view of a container with pedestal, showing  
our new design;  
FIG. 2 a rear view thereof;  
FIG. 3 is a right side view thereof;  
FIG. 4 is a left side view thereof;  
FIG. 5 is a top view thereof;  
FIG. 6 is a bottom view thereof;  
FIG. 7 is a cross-sectional view thereof, taken along line 7-7  
in FIG. 1; and,  
FIG. 8 is a perspective view of the pedestal thereof, shown  
independent of the container to show aspects of the design  
not visible when combined.  
The evenly broken lines are shown for the purpose of  
illustrating parts of the article that form no part of the claim.  
The dot-dash lines represent the boundaries of the claim and  
form no part thereof.

**1 Claim, 8 Drawing Sheets**



(58) **Field of Classification Search**

USPC ..... D24/199, 224; D28/76, 84; D11/143,  
D11/145, 146, 152, 153, 154  
CPC ..... B65D 75/5883; B65D 41/3414; B65D  
41/00; B65D 41/3447; B65D 2101/0023;  
B65D 2101/0046; B65D 2213/00; B65D  
85/12; B65D 23/065; B65D 47/066;  
B65D 23/00; B65D 23/001; B65D 23/08;  
B65D 23/0885; B65D 81/00; B65D  
2501/00; B65D 2501/0009; A45D  
2200/05; A45D 2200/051; A45D 34/00;  
A45D 34/02; A45D 40/00; A45D 40/40;  
A45D 40/0068; A45D 40/0073; A45D  
2034/007; A61J 1/16; A45F 3/16; A47G  
19/2266; A47G 19/2272; B64C 31/06;  
D05B 23/00; F16B 47/00

See application file for complete search history.

(56) **References Cited**

U.S. PATENT DOCUMENTS

5,465,891 A \* 11/1995 Bridges ..... A47G 19/06  
220/636  
D397,062 S \* 8/1998 Hollington ..... D11/164  
D400,406 S \* 11/1998 House ..... D7/624.1  
D472,143 S \* 3/2003 Martin ..... D9/434  
D474,965 S \* 5/2003 Westphal ..... D9/424  
D502,052 S \* 2/2005 Meade ..... D7/388  
D511,096 S \* 11/2005 Demaggio ..... D9/455  
D522,368 S \* 6/2006 Darr ..... D9/516  
D528,417 S \* 9/2006 Matsuda ..... D9/439  
D539,078 S \* 3/2007 Anderson ..... D7/375  
D573,928 S \* 7/2008 Ratcliffe ..... D12/197  
D579,514 S \* 10/2008 Kelps ..... D23/206  
D600,120 S \* 9/2009 Kawamura ..... D9/452  
D604,613 S \* 11/2009 Garboni ..... D9/447  
D606,410 S \* 12/2009 Kissinger ..... D9/516  
D609,564 S \* 2/2010 Paine ..... D9/434  
D611,885 S \* 3/2010 Dringenberg ..... D12/197

D627,652 S \* 11/2010 Dorn ..... D9/516  
D629,120 S \* 12/2010 Lafond ..... D24/224  
D637,903 S \* 5/2011 Ghiotti ..... D9/428  
7,967,225 B1 \* 6/2011 Schulz ..... E03C 1/266  
241/46.013  
D650,677 S \* 12/2011 Wurster ..... D9/516  
D654,152 S \* 2/2012 Schulz ..... D23/260  
D683,497 S \* 5/2013 Ghiotti ..... D9/428  
D704,312 S \* 5/2014 Kuo ..... D23/259  
D716,653 S \* 11/2014 Balembois ..... D9/435  
D776,296 S \* 1/2017 Wainwright ..... D24/224  
D776,536 S \* 1/2017 Emoff ..... D9/455  
D786,652 S \* 5/2017 Lira-Nunez ..... D8/321  
D793,858 S \* 8/2017 Buck ..... D9/428  
D813,355 S \* 3/2018 Weatherby ..... D23/259  
D821,877 S \* 7/2018 Harris ..... D9/516  
D829,065 S \* 9/2018 Marantis ..... D7/700  
D846,382 S \* 4/2019 Prater ..... D9/434  
D852,628 S \* 7/2019 Zerebny ..... D9/455  
D871,177 S \* 12/2019 Pentland ..... D8/45  
D872,859 S \* 1/2020 Krebs ..... D24/127  
D885,908 S \* 6/2020 Dycus ..... D9/455  
2016/0106149 A1 \* 4/2016 Potter ..... B65B 5/06  
206/265  
2017/0231869 A1 \* 8/2017 Zerebny ..... A61J 1/16  
248/206.2  
2017/0275075 A1 \* 9/2017 Bamonte ..... B65D 21/0219  
2019/0375543 A1 \* 12/2019 Qiu ..... B65D 25/24

FOREIGN PATENT DOCUMENTS

JP 1502759 7/2014  
JP 1554921 S 7/2016  
JP 1592045 S 11/2017

OTHER PUBLICATIONS

A Kodama, Tamakan catalog by Kodama Plastics Co., LTD.,  
published Apr. 2010, <http://www.d-kik.co.jp/catalog/pdf/tamakan.pdf>, 6 pages.

\* cited by examiner

FIG. 1

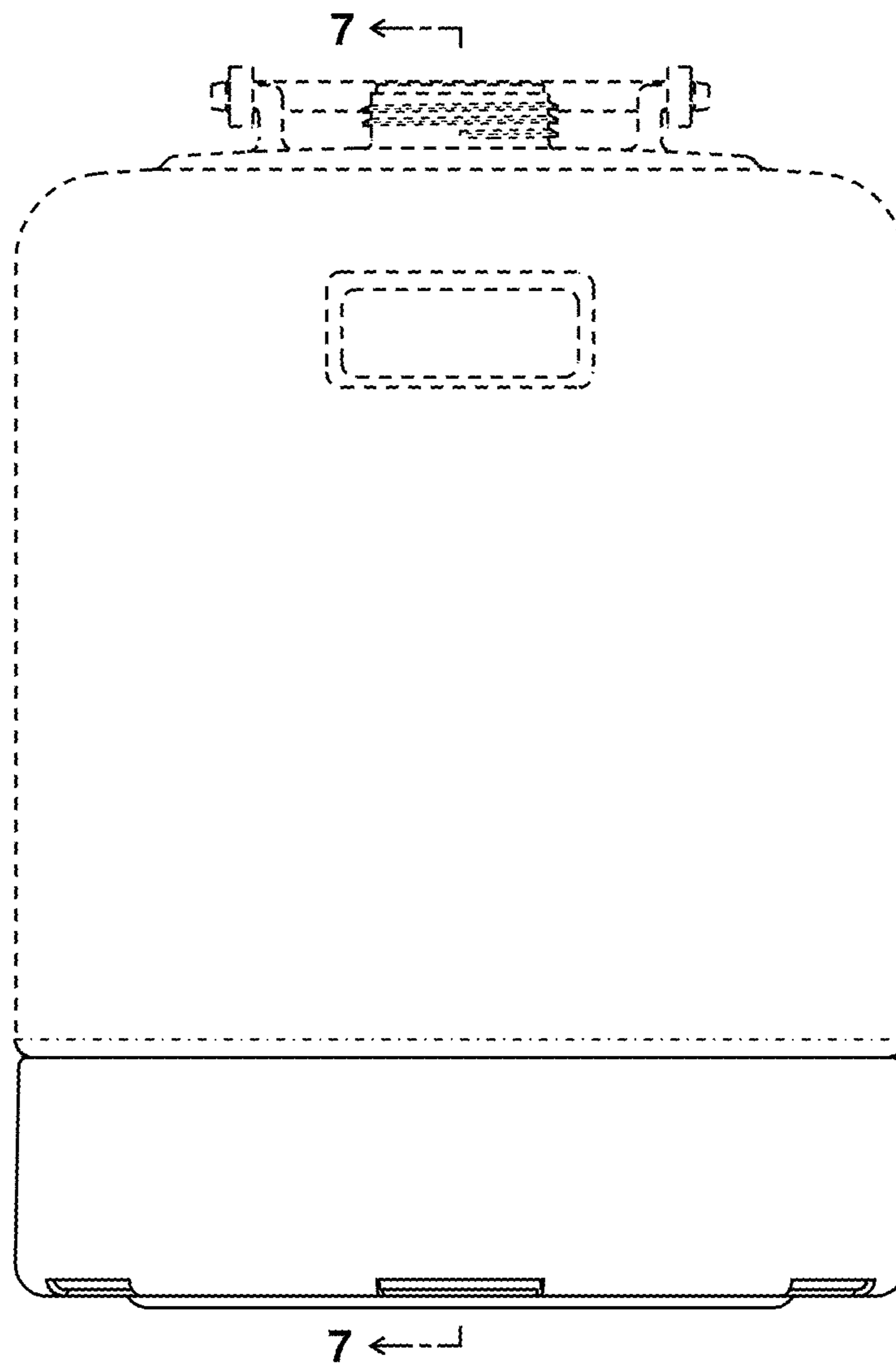


FIG. 2

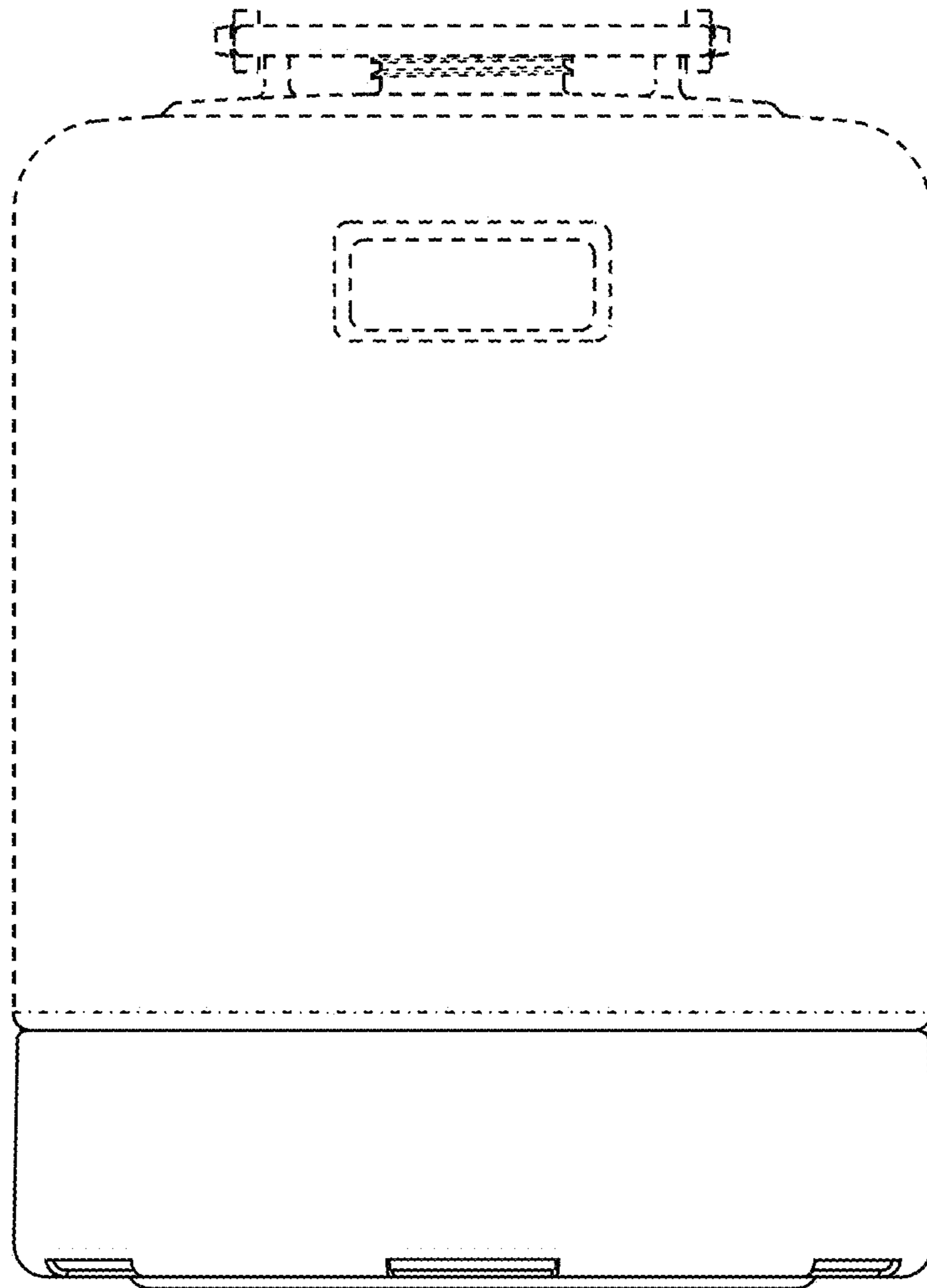


FIG. 3

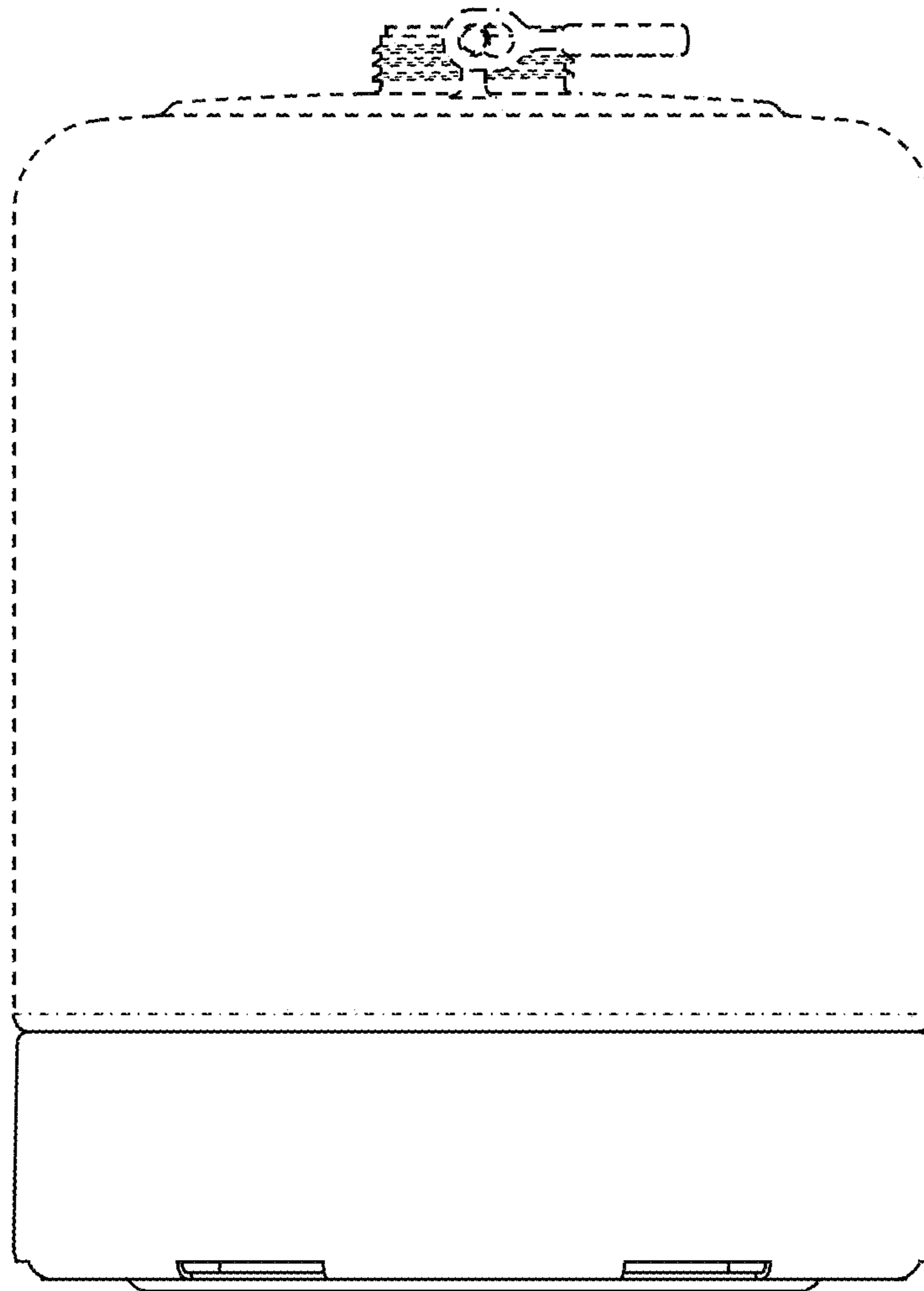


FIG. 4

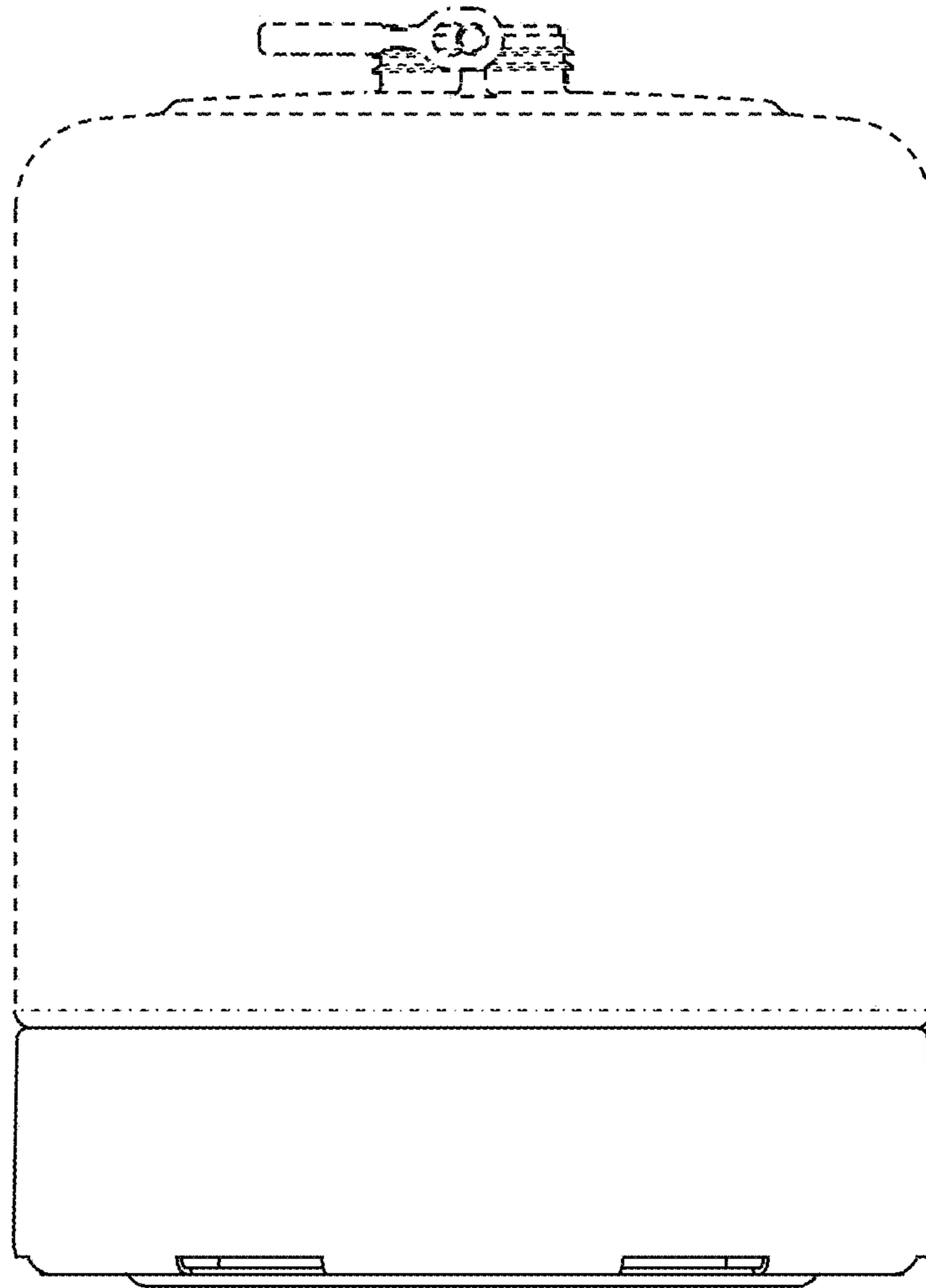


FIG. 5

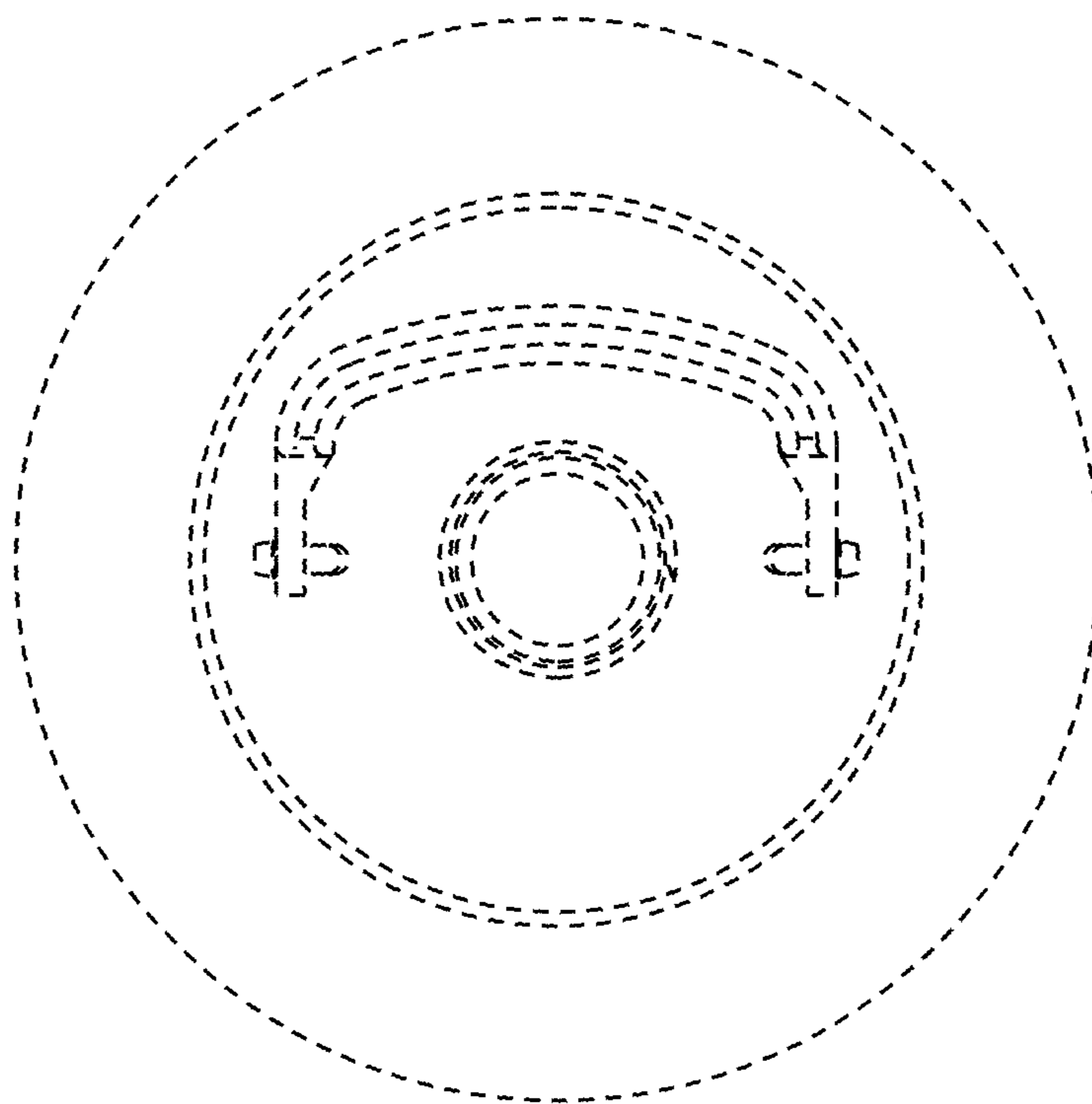


FIG. 6

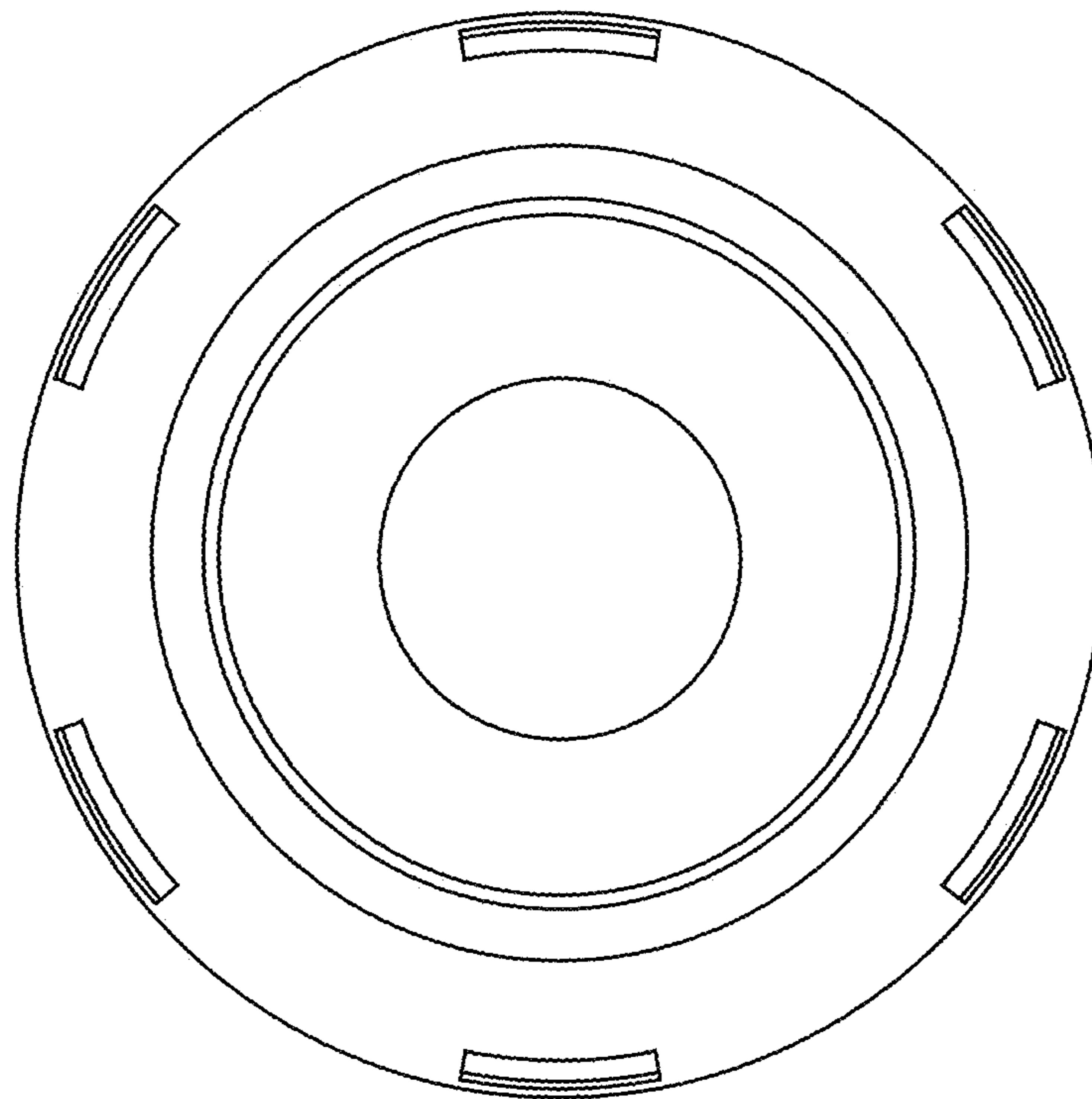




FIG. 7

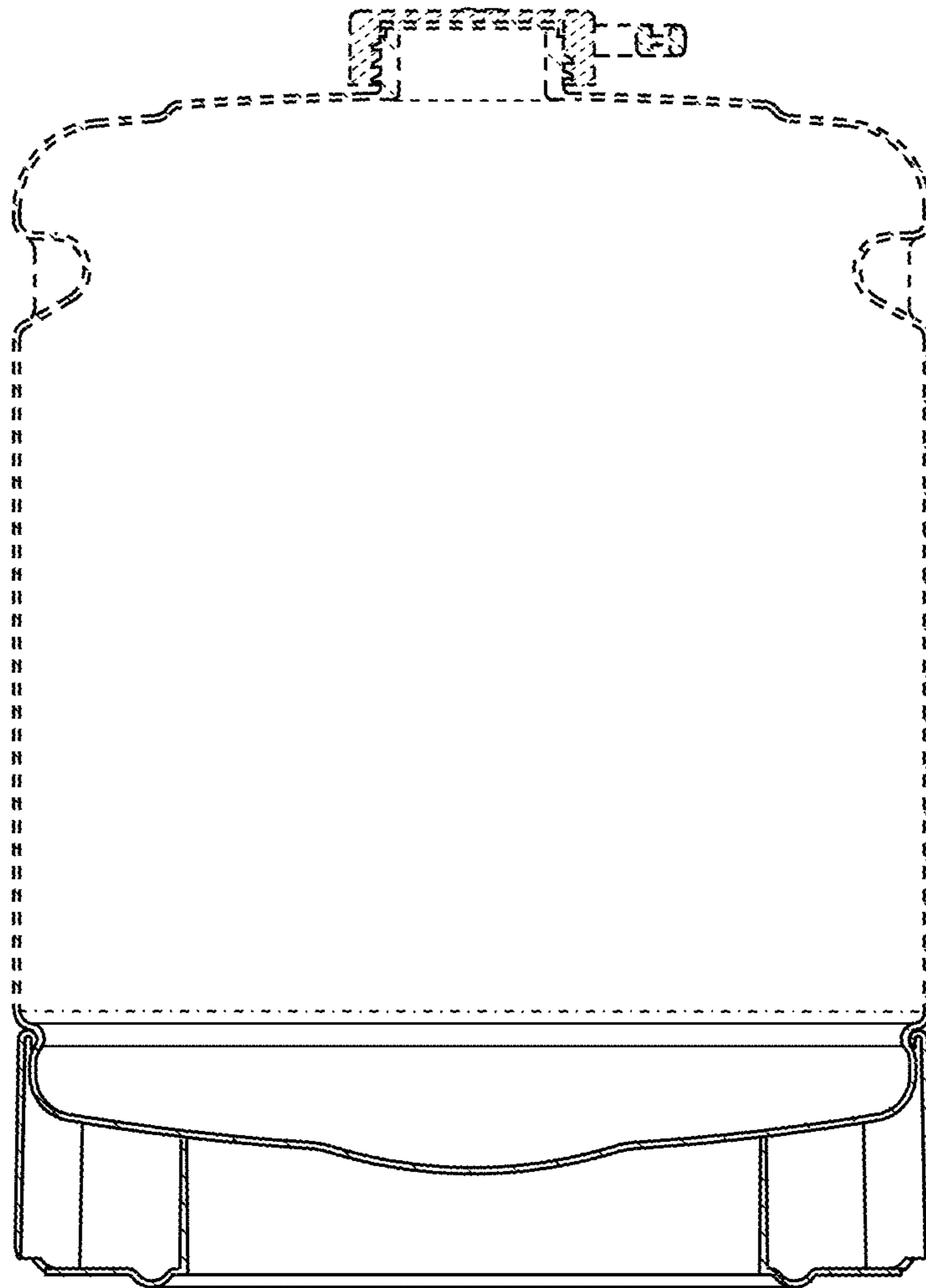


FIG. 8

