



US00D912519S

(12) **United States Design Patent** (10) **Patent No.:** **US D912,519 S**
Cornehl et al. (45) **Date of Patent:** **** Mar. 9, 2021**

(54) **BOTTLE**
(71) Applicant: **By Quest LLC**, Millburn, NJ (US)
(72) Inventors: **Ingrid Cornehl**, Morristown, NJ (US);
Sallie Reynolds Allen, Charleston, SC (US)
(73) Assignee: **By Quest, LLC**, Millburn, NJ (US)
(**) Term: **15 Years**
(21) Appl. No.: **29/737,750**
(22) Filed: **Jun. 11, 2020**

D260,611 S * 9/1981 Balcells D9/529
D379,765 S * 6/1997 Hencher D9/542
D450,597 S * 11/2001 Bobchenok D9/560
D456,271 S * 4/2002 Maloney D9/560
D514,448 S 2/2006 Kuzma et al.
D526,569 S 8/2006 Wurster et al.
D584,634 S 1/2009 Perez et al.
D585,755 S 2/2009 Dodge et al.
D590,721 S 4/2009 Martinez De San Vicente
D591,159 S 4/2009 Pagliaro
D697,417 S 1/2014 Maczassek
D719,030 S 12/2014 Perez-Cabrera
D731,318 S 6/2015 Monaghan et al.
D792,231 S 7/2017 Thompson
D815,541 S 4/2018 Harris et al.
D845,138 S 4/2019 Atkins
D878,572 S 3/2020 Davis et al.

(Continued)

Related U.S. Application Data

(62) Division of application No. 29/716,759, filed on Dec. 11, 2019, now Pat. No. Des. 891,254.
(51) **LOC (13) Cl.** **09-01**
(52) **U.S. Cl.**
USPC **D9/544; D9/571; D9/574**
(58) **Field of Classification Search**
USPC D9/434, 516, 530, 542, 544, 549, 558,
D9/563, 571, 573-574, 715, 719
CPC B65D 1/00; B65D 1/02; B65D 1/0223;
B65D 23/00; B65D 51/32; B65D
2501/00; B65D 2501/0009; B65D
2501/0081
See application file for complete search history.

References Cited

U.S. PATENT DOCUMENTS

D25,048 S * 1/1896 Sherwood D9/544
D25,402 S * 4/1896 Nelson D9/544
D80,709 S * 3/1930 Teague D9/559
D86,629 S * 3/1932 Nitardy D9/570
D95,260 S * 4/1935 Key D9/562
D97,178 S * 10/1935 Clevenger D9/571
D103,911 S * 3/1937 Know D9/545
D253,454 S * 11/1979 Earle D9/500

OTHER PUBLICATIONS

Notice of Allowance dated Apr. 9, 2020, issued in connection with U.S. Appl. No. 29/716,759 (11 pages).

Primary Examiner — Dana Meyrow
(74) *Attorney, Agent, or Firm* — McCarter & English, LLP

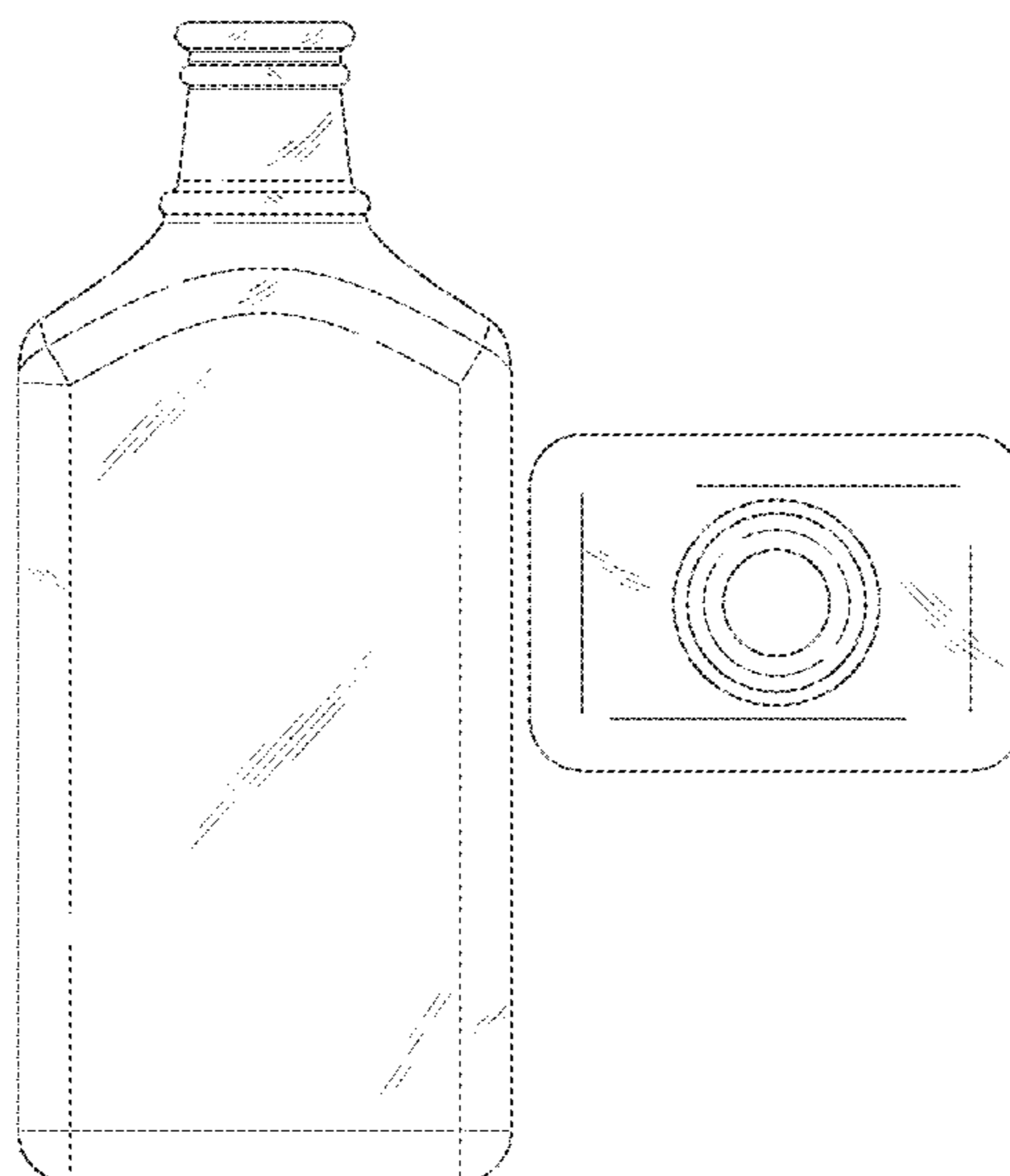
(57) **CLAIM**

The ornamental design for a bottle, as shown and described.

DESCRIPTION

FIG. 1 is a perspective view of a bottle showing our new design;
FIG. 2 is a front view thereof, the rear view being substantially identical;
FIG. 3 is a right side view, the left side view being substantially identical;
FIG. 4 is a top view thereof; and,
FIG. 5 is a bottom view thereof.
The broken lines in the drawings illustrate the portions of the bottle that form no part of the claim.

1 Claim, 4 Drawing Sheets



(56)

References Cited

U.S. PATENT DOCUMENTS

D891,254 S * 7/2020 Cornehl D9/516
D893,309 S * 8/2020 Van Skaik D9/574

* cited by examiner

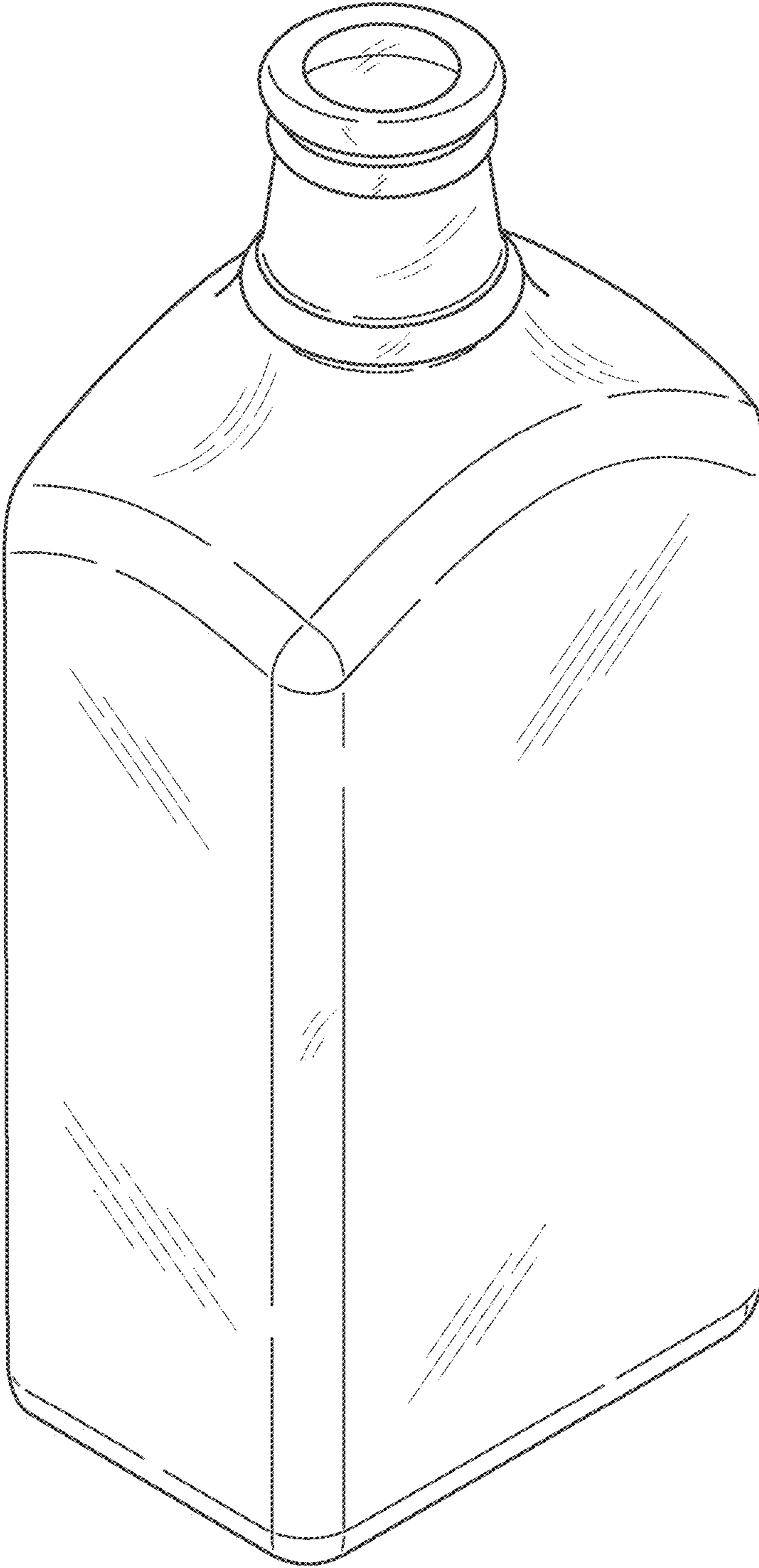


FIG. 1

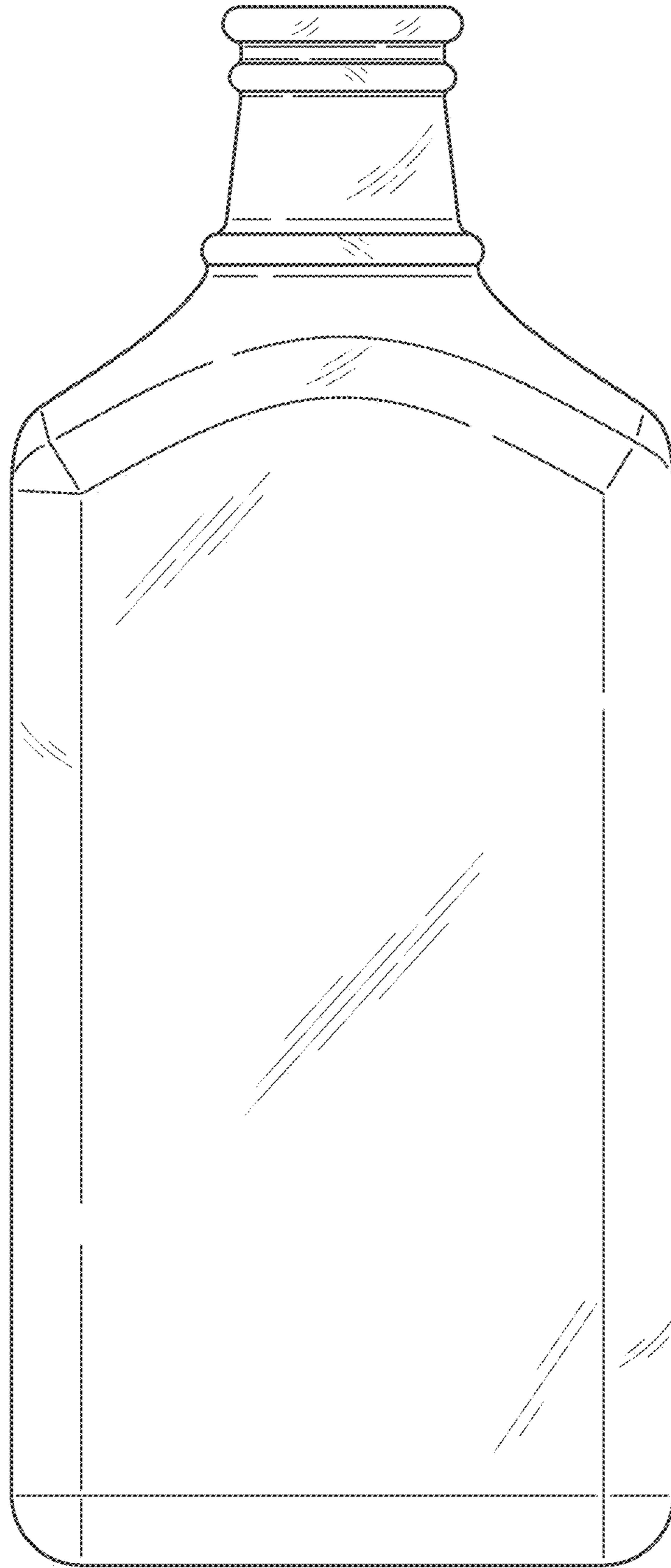


FIG. 2

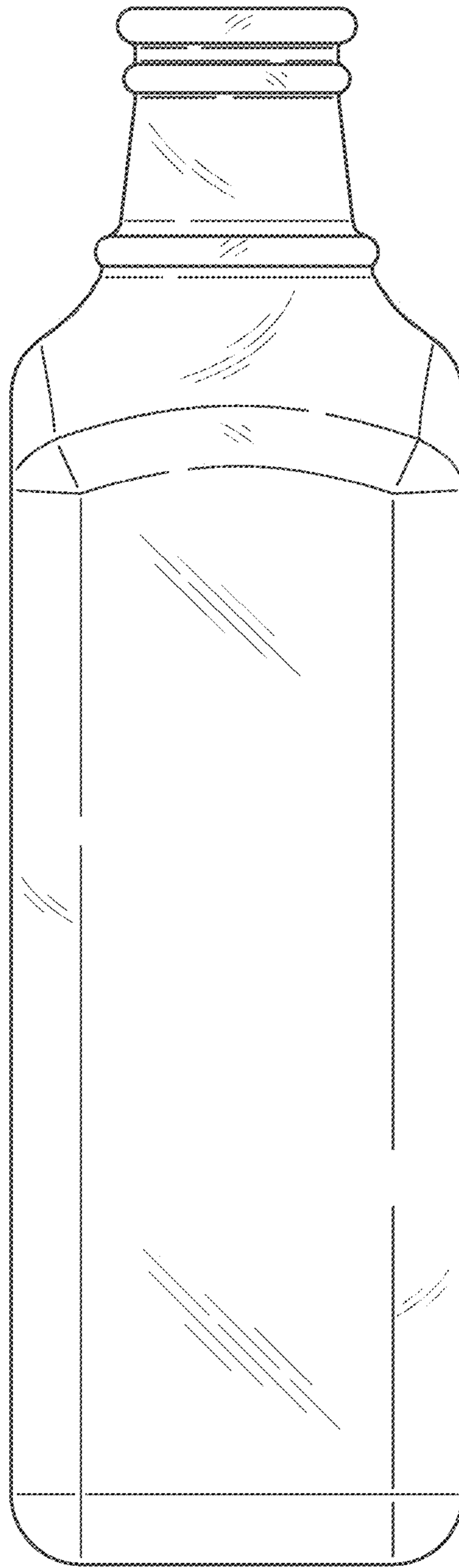


FIG. 3

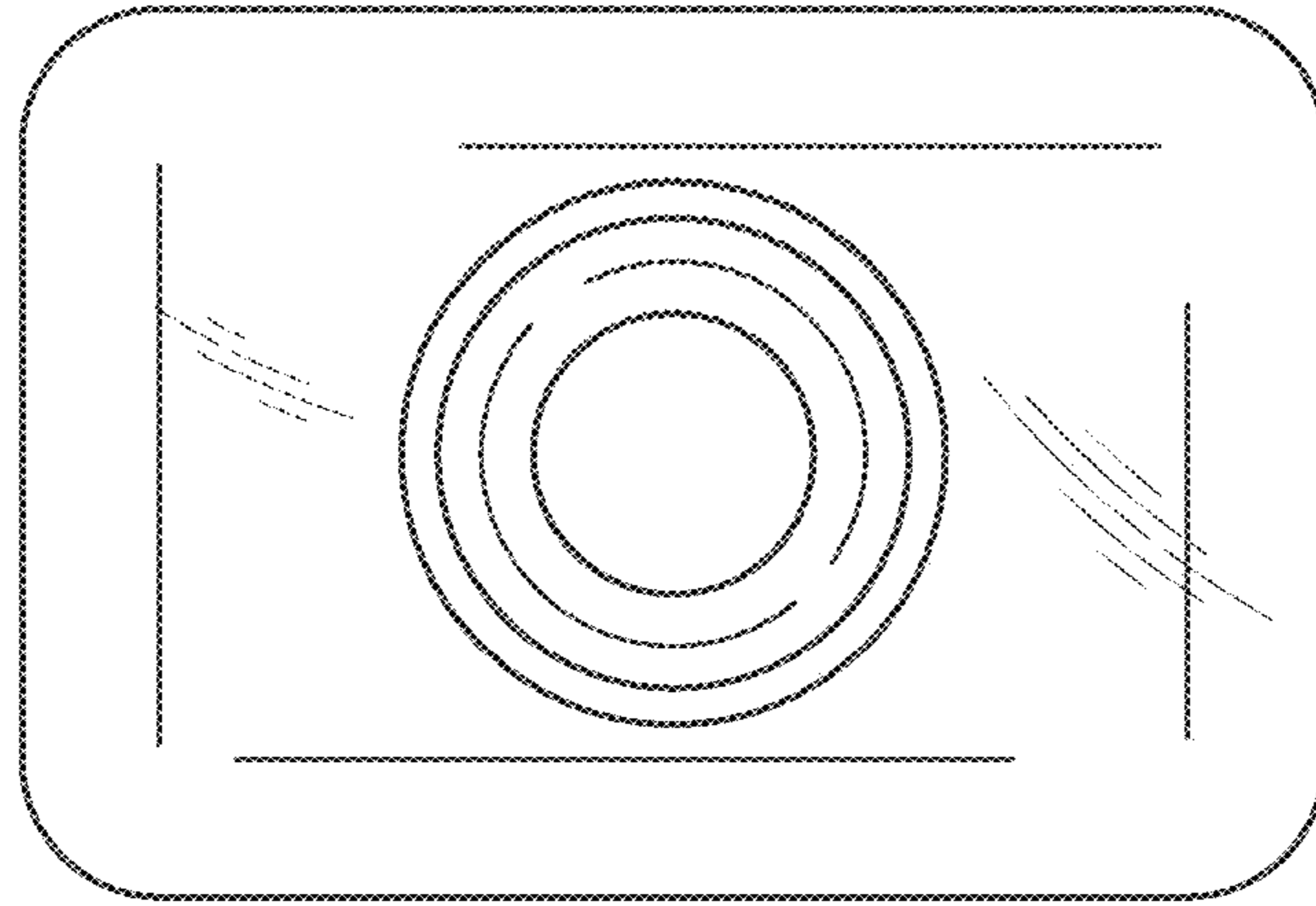


FIG. 4

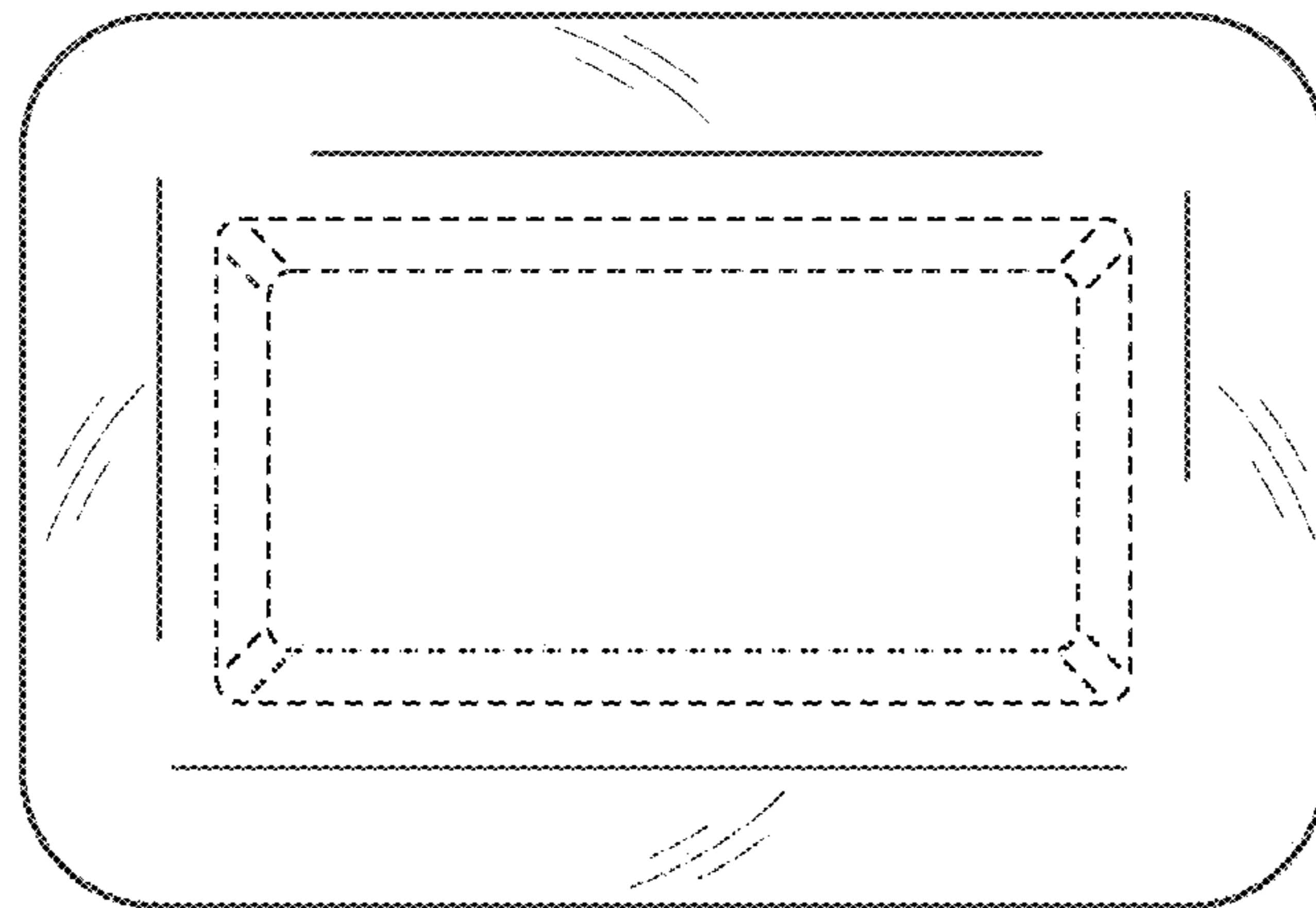


FIG. 5