



US00D912517S

(12) **United States Design Patent** (10) **Patent No.:** **US D912,517 S**  
**Ríos** (45) **Date of Patent:** **\*\* Mar. 9, 2021**

(54) **PACKAGING**

(71) Applicant: **PRODUCTOS SOLUBLES, S.A.**,  
Venta de Baños (ES)  
(72) Inventor: **Patricia García Ríos**, Venta de Baños  
(ES)  
(73) Assignee: **Productos Solubles, S.A.**, Venta de  
Baños (ES)  
(\*\*) Term: **15 Years**

(21) Appl. No.: **35/506,667**

(22) Filed: **Dec. 18, 2018**

(80) **Hague Agreement Data**

Int. Filing Date: **Dec. 18, 2018**  
Int. Reg. No.: **DM/200620**  
Int. Reg. Date: **Dec. 18, 2018**  
Int. Reg. Pub. Date: **Apr. 26, 2019**

(30) **Foreign Application Priority Data**

Jun. 20, 2018 (EM) ..... 005317799-0002

(51) **LOC (13) Cl.** ..... **09-01**

(52) **U.S. Cl.**  
USPC ..... **D9/530**

(58) **Field of Classification Search**

USPC ..... D9/434, 435, 449, 453, 454, 516, 530,  
D9/542, 544, 545, 548, 549, 550, 558,  
D9/715, 716, 719

CPC ... B65D 1/00; B65D 1/02; B65D 1/10; B65D  
1/0223; B65D 1/243; B65D 23/00; B65D  
81/00; B65D 2501/00; B65D 2501/0009

See application file for complete search history.

(56) **References Cited**

U.S. PATENT DOCUMENTS

D438,118 S *	2/2001	Dalmau	.....	D9/520
D444,386 S *	7/2001	Weber	.....	D9/521
D445,337 S *	7/2001	Croft	.....	D9/450
D598,287 S *	8/2009	Hering	.....	D9/516
D602,362 S *	10/2009	Hering	.....	D9/521
D650,284 S *	12/2011	Schriner	.....	D9/449
D732,340 S *	6/2015	Kane	.....	D7/509
D752,443 S *	3/2016	Schlies	.....	D9/530
D752,444 S *	3/2016	Schlies	.....	D9/530
D784,814 S *	4/2017	Rodriguez	.....	D9/500
D789,796 S *	6/2017	McSweeney	.....	D9/530

\* cited by examiner

*Primary Examiner* — Bao-Yen T Nguyen

(74) *Attorney, Agent, or Firm* — McCormick, Paulding & Huber PLLC

(57) **CLAIM**

The ornamental design for a packaging, as shown and described.

**DESCRIPTION**

1. Packaging

**1.1** is a perspective view of a packaging comprising a new ornamental design;

**1.2** is a front view thereof;

**1.3** is a left view thereof;

**1.4** is a top view thereof;

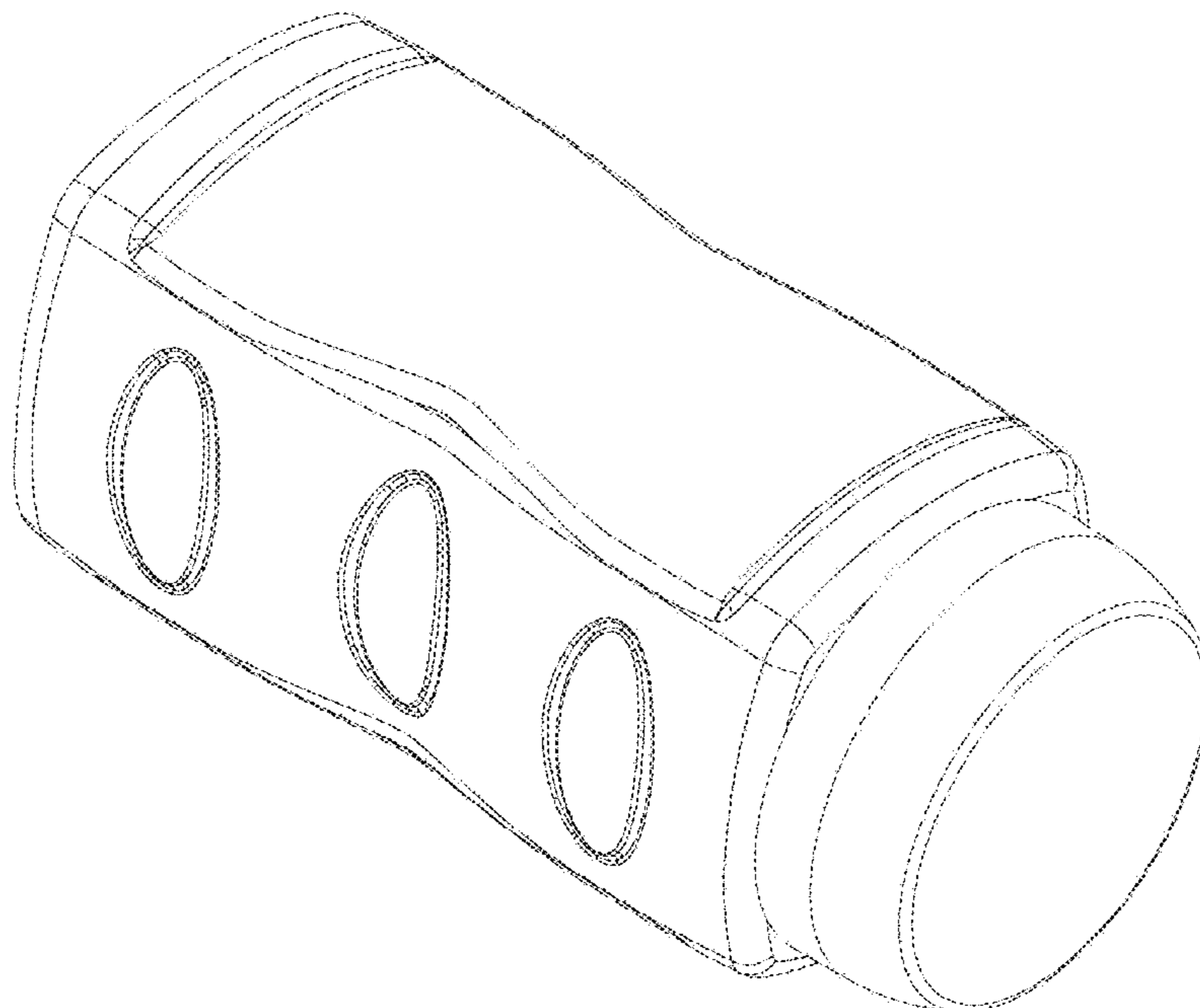
**1.5** is a right view thereof;

**1.6** is a back view thereof; and

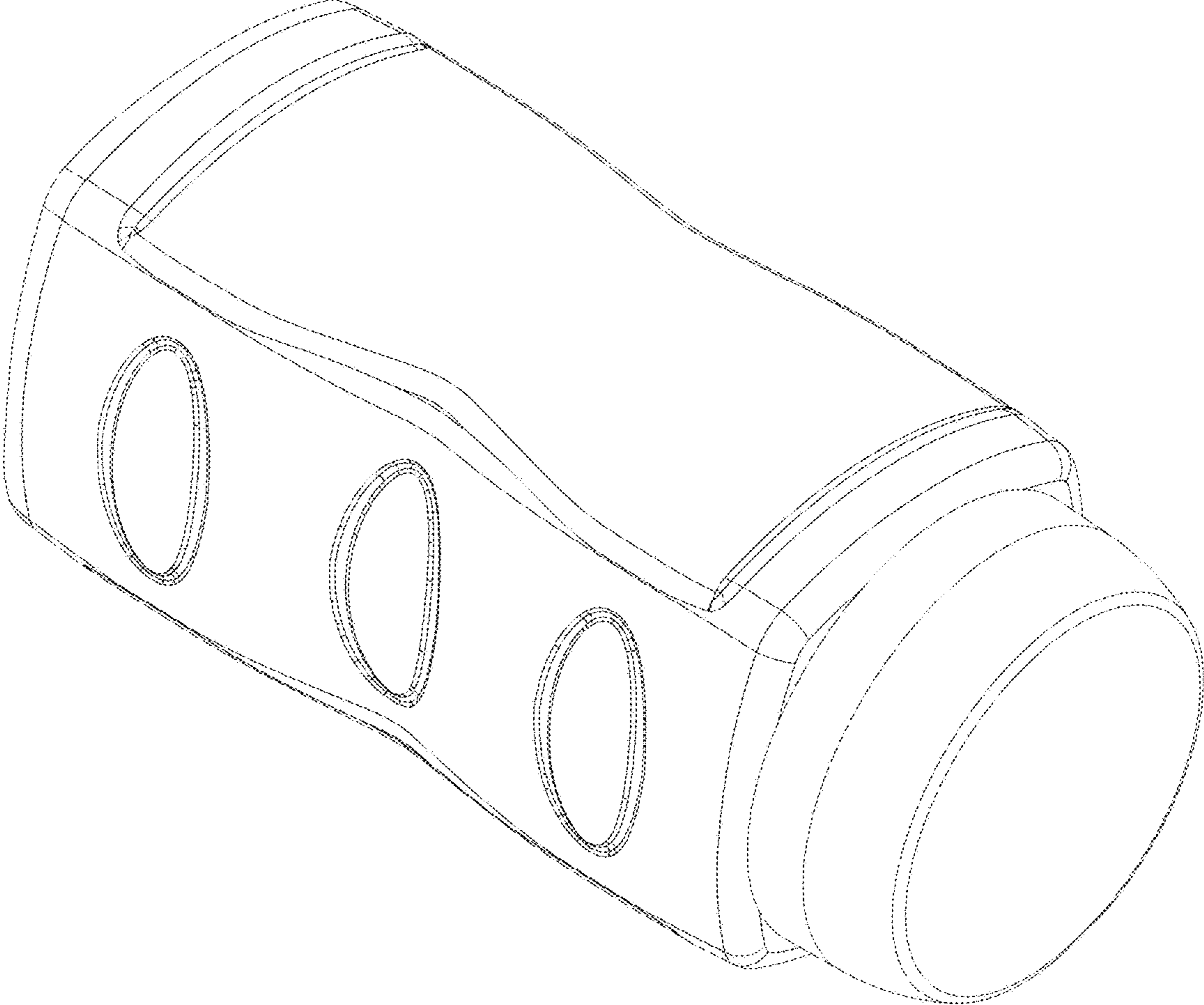
**1.7** is a bottom view thereof.

The parts shown by means of broken lines in the reproductions are not part of the claimed design.

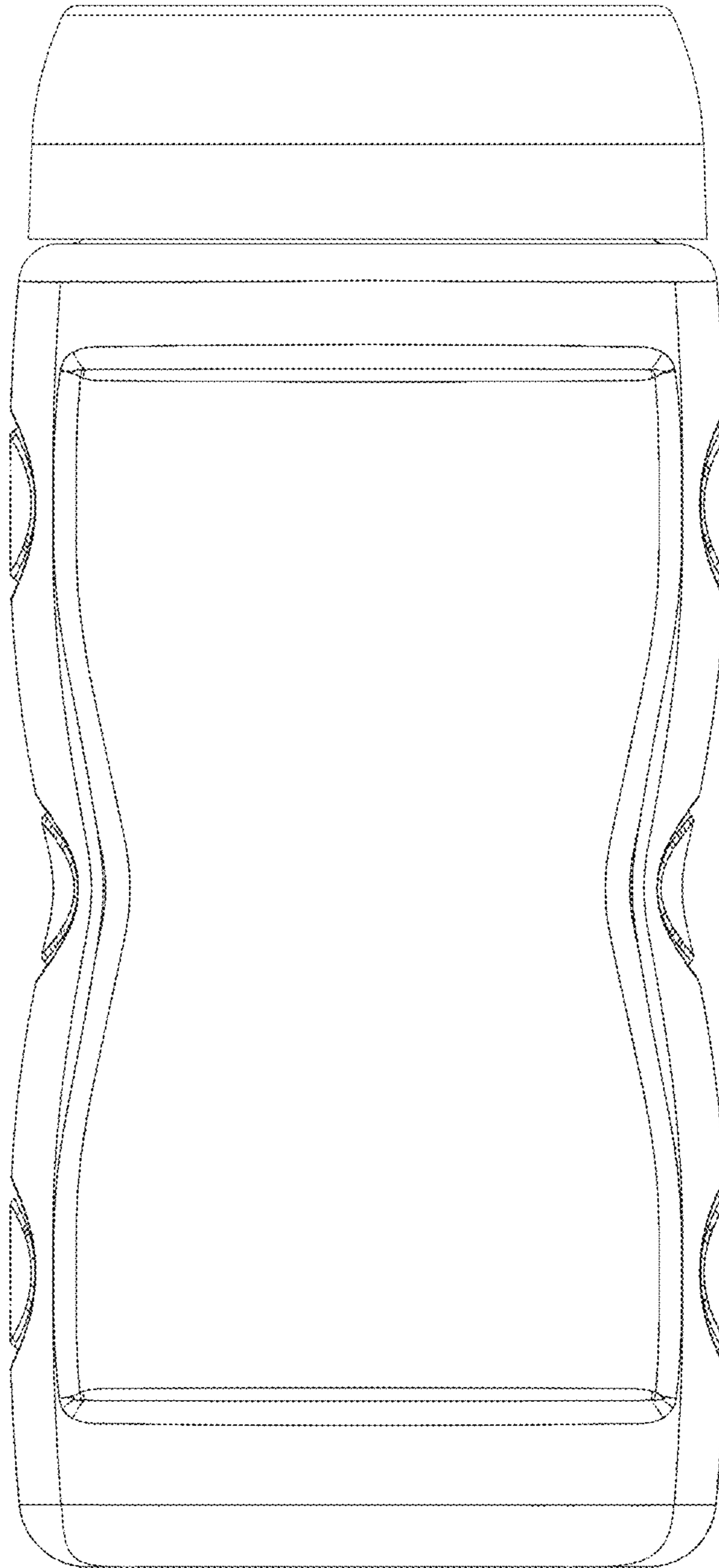
**1 Claim, 7 Drawing Sheets**



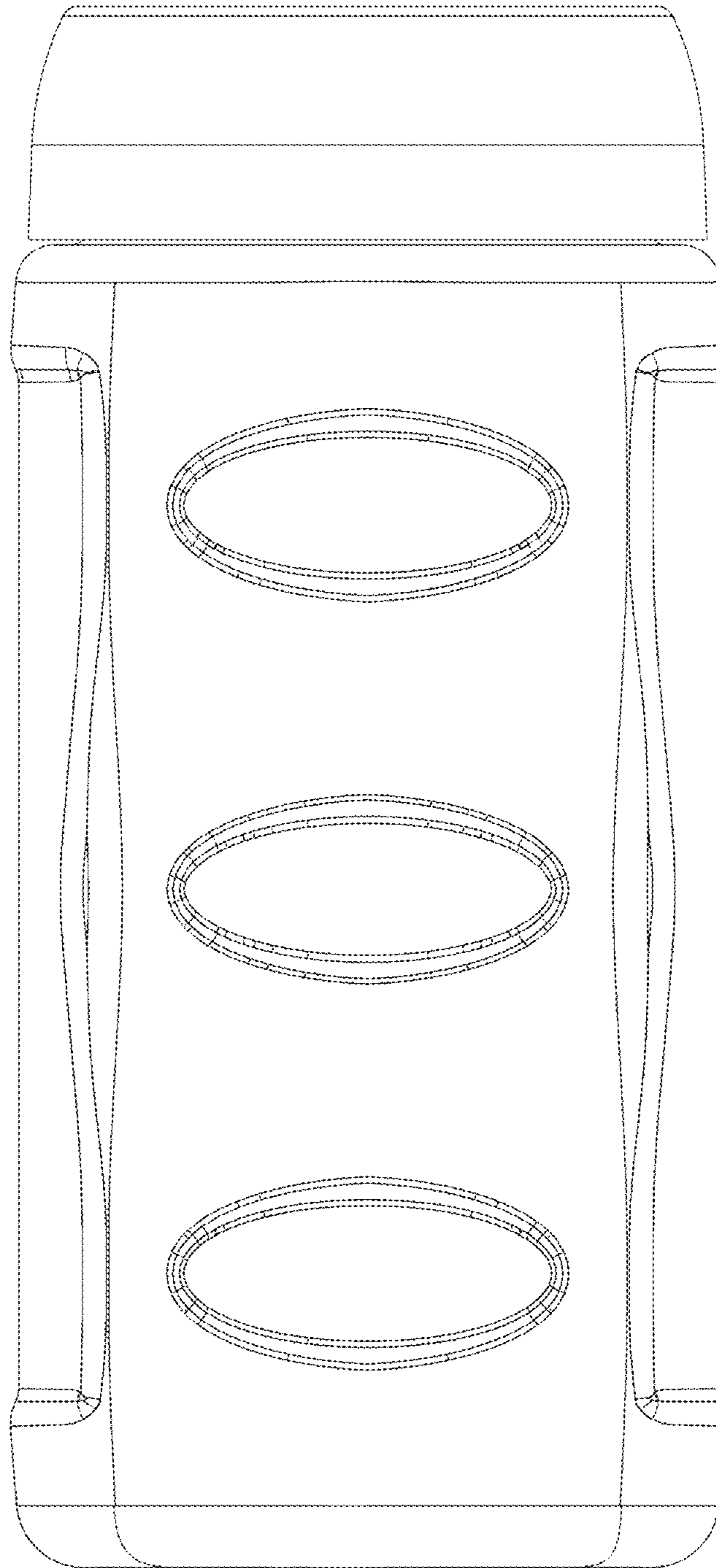
1.1



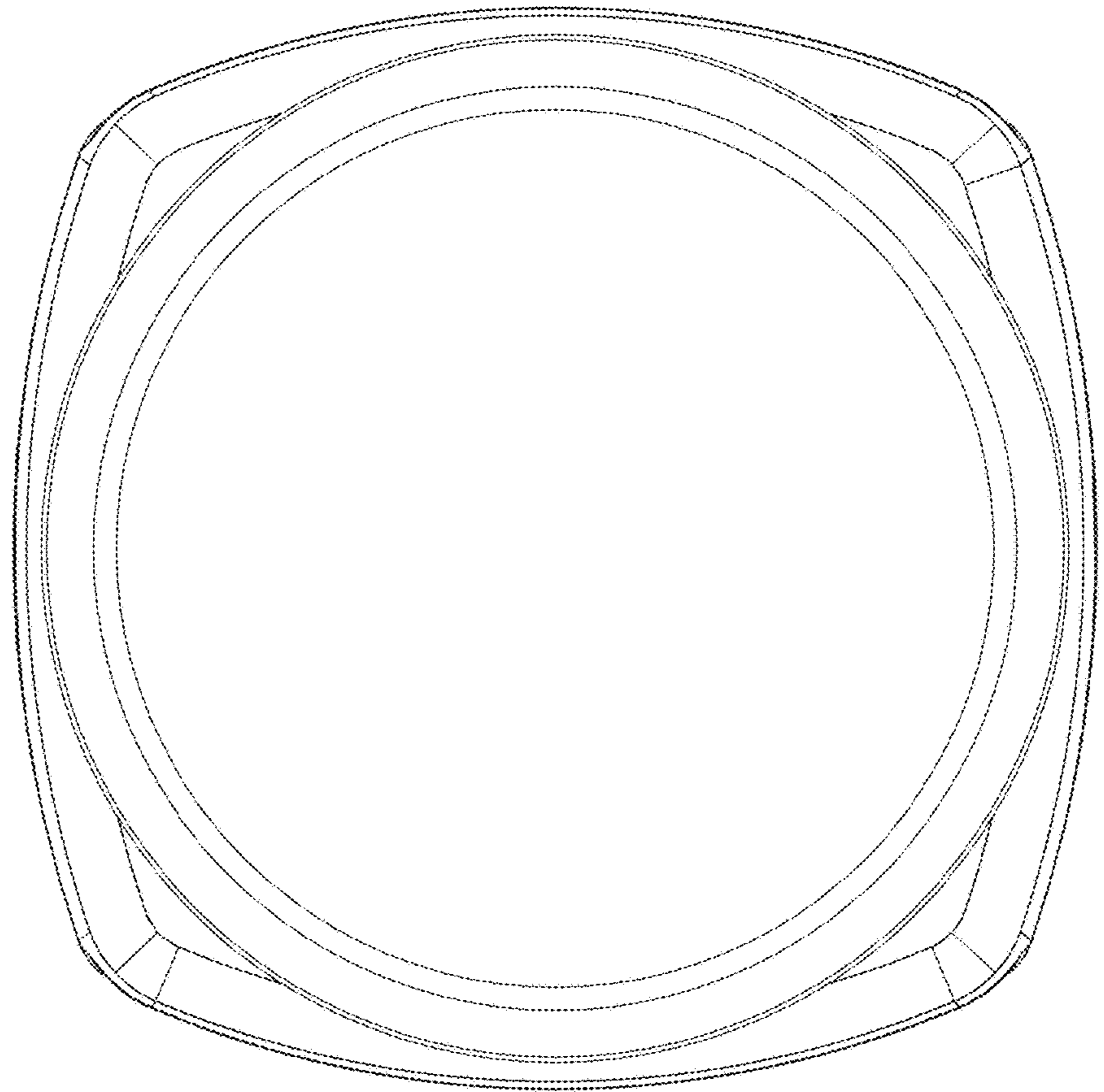
1.2



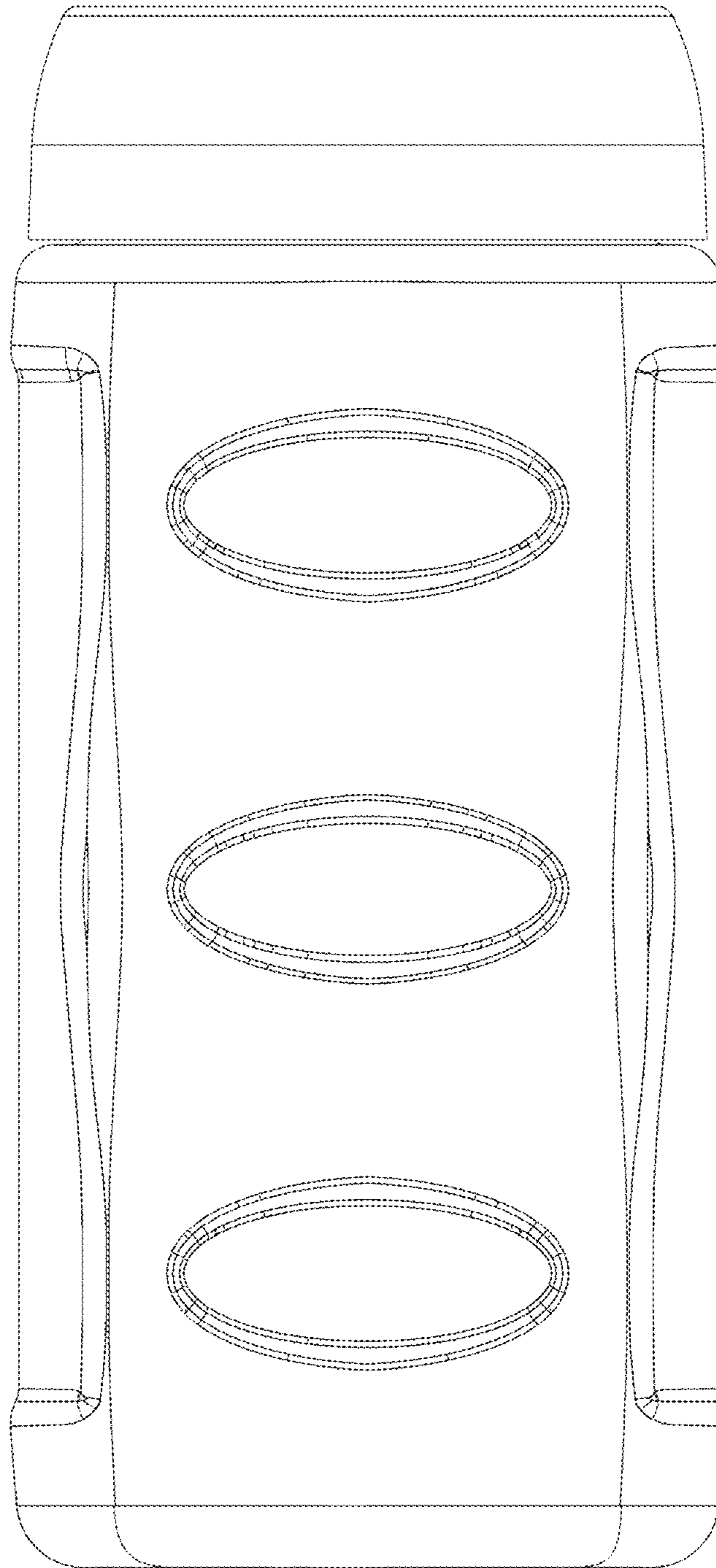
1.3



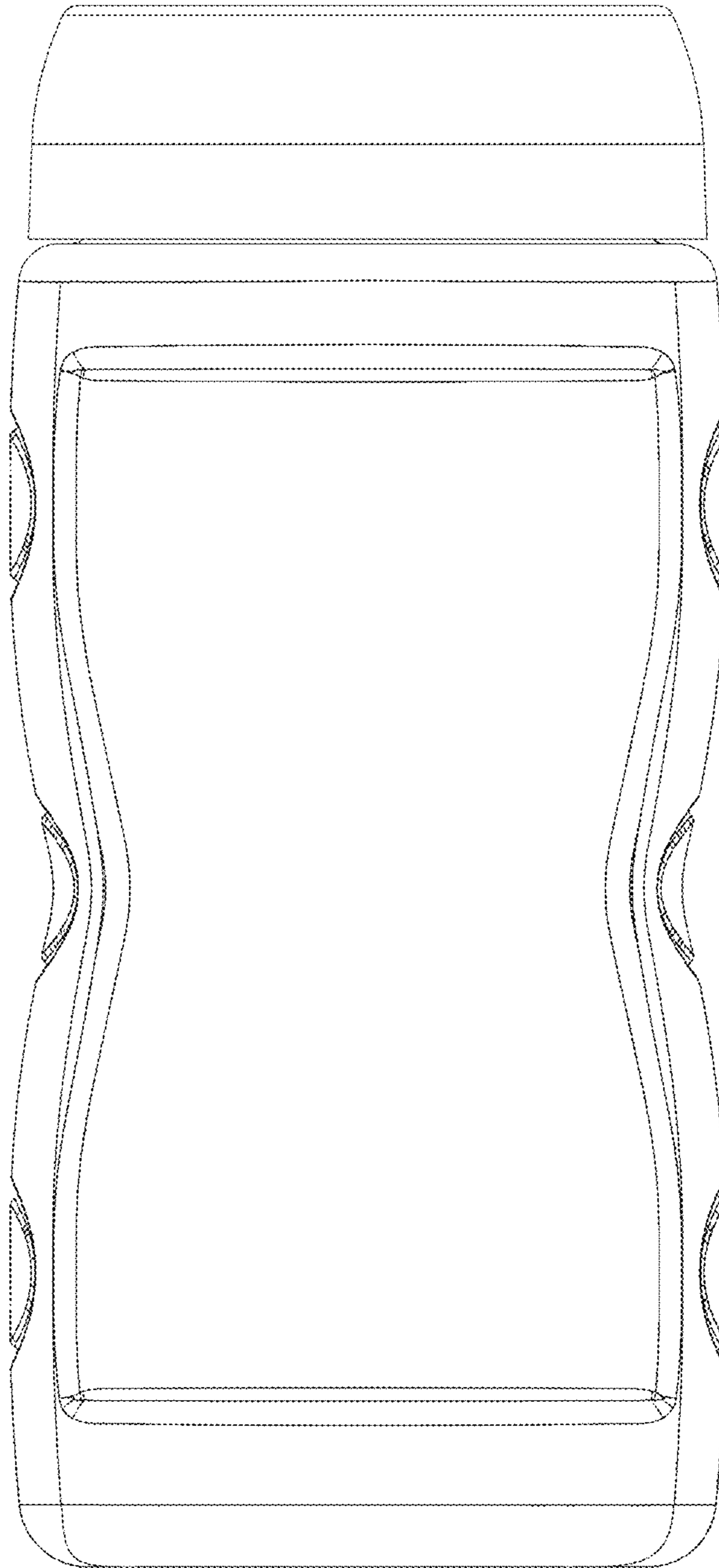
1.4



1.5



1.6



1.7

