



US00D912514S

(12) **United States Design Patent** (10) **Patent No.:** **US D912,514 S**
Moon (45) **Date of Patent:** **** Mar. 9, 2021**

(54) **LID WITH PUSH-BUTTON**
(71) Applicant: **Kimberly-Clark Worldwide, Inc.**,
Neenah, WI (US)
(72) Inventor: **SungJin Moon**, Gwangju-si (KR)
(73) Assignee: **KIMBERLY-CLARK WORLDWIDE,**
INC., Neenah, WI (US)

5,868,265 A 2/1999 Kobayashi
D416,411 S * 11/1999 Carlson D6/515
D443,450 S 6/2001 Ruhotas et al.
D443,451 S * 6/2001 Buck D6/518
6,394,298 B1 5/2002 Zaidman
D467,037 S * 12/2002 Bakic D28/82
D473,740 S 4/2003 Ruhotas et al.

(Continued)

(**) Term: **15 Years**

(21) Appl. No.: **29/655,016**

(22) Filed: **Jun. 29, 2018**

(51) **LOC (13) Cl.** **09-07**

(52) **U.S. Cl.**
USPC **D9/449**

(58) **Field of Classification Search**
USPC D3/294, 302, 318; D6/512, 515-523;
D7/601, 602, 629; D9/14, 432, 433, 434,
D9/435, 499, 601, 612, 702, 703, 711,
D9/713, 721-722, 730, 414, 416, 420,
D9/436, 440, 455, 707, 708, 709, 715,
D9/734, 445, 446, 450, 454; D24/127,
D24/188, 217; D28/73, 76, 78, 82, 83,
D28/91

CPC B65D 2251/1016; B65D 75/5838; B65D
85/00; B65D 81/00; B65D 81/22; B65D
83/0805; B65D 5/00; B65D 5/001; B65D
5/0015; B65D 5/0227-0254; B65D 5/18;
B65D 5/38; B65D 5/40; B65D 5/2033;
B65D 5/40024; B65D 5/6605; A47K
10/18; A47K 10/421; A47K 2010/3233;
A47K 2010/3266

See application file for complete search history.

(56) **References Cited**

U.S. PATENT DOCUMENTS

3,967,756 A * 7/1976 Barish A47K 10/421
221/45
D295,961 S 5/1988 Holly

FOREIGN PATENT DOCUMENTS

CN 201260644 6/2009
CN 202211633 5/2012
KR 100868394 B1 11/2008

OTHER PUBLICATIONS

Ability One Computer Screen Wipes: Site visited [Mar. 26, 2020].
Available from Internet URL: <https://www.supplychimp.com/go/abilityone-7930014541138-computer-screen-wet-w.html>.*

(Continued)

Primary Examiner — Catherine S Posthauer
(74) *Attorney, Agent, or Firm* — Kimberly-Clark
Worldwide, Inc.

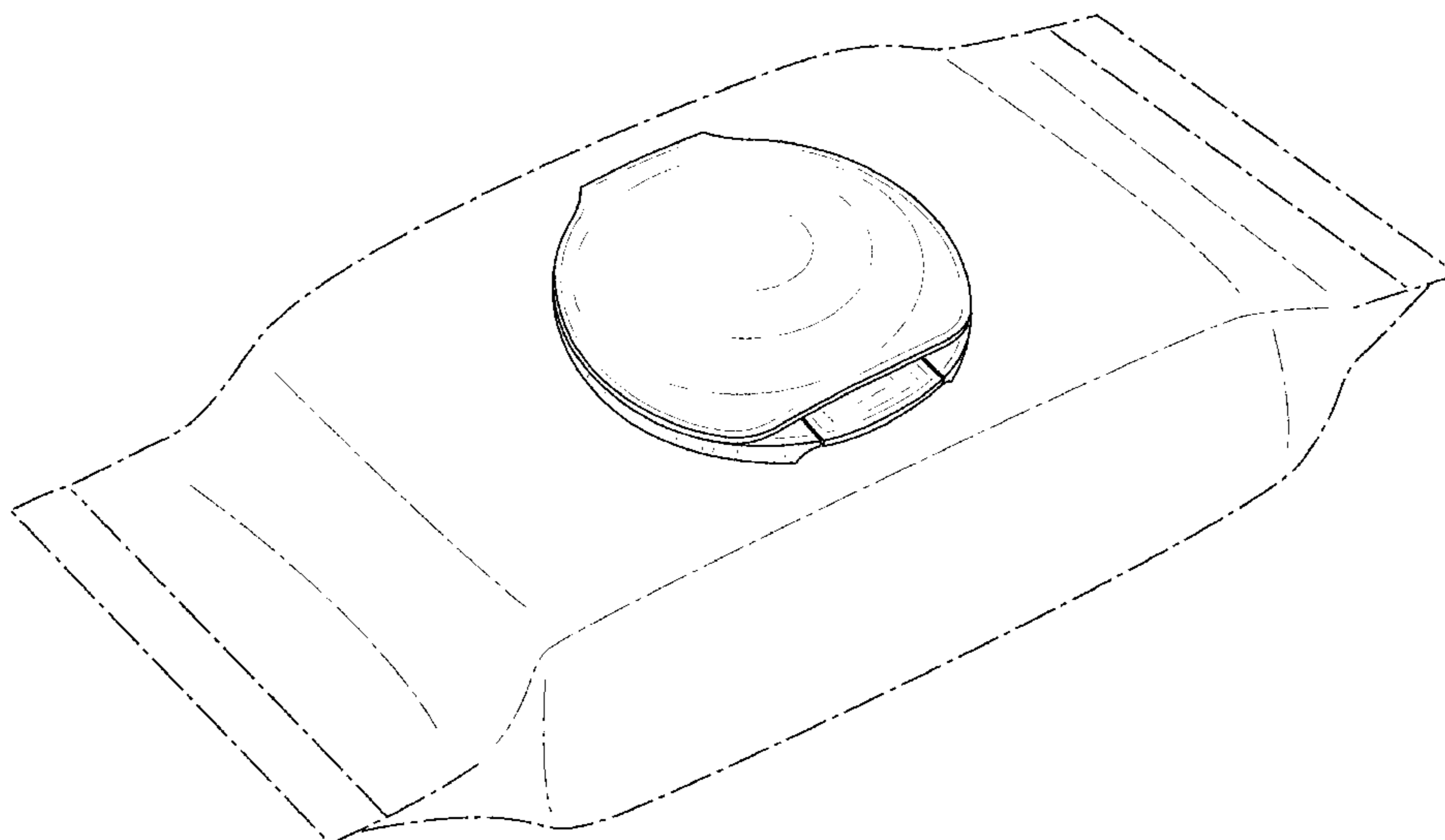
(57) **CLAIM**

I claim the ornamental design for a lid with push-button, as shown and described herein.

DESCRIPTION

FIG. 1 is a front perspective view of our lid with push-button showing our new design; FIG. 2 is a right side view thereof; and, FIG. 3 is a top view thereof. The shade lines in the Figures show contour and not surface ornamentation. The dot-dash lines represent environmental subject matter and form no part of the claimed design.

1 Claim, 3 Drawing Sheets



(56)

References Cited

U.S. PATENT DOCUMENTS

6,702,109 B1 * 3/2004 Tabuchi B65D 75/5838
206/233

6,729,498 B2 5/2004 Yelton

7,000,792 B2 2/2006 Arai

D517,735 S * 3/2006 Lai D28/82

D529,802 S 10/2006 Jelich et al.

D529,803 S 10/2006 Zaidman

D530,204 S * 10/2006 Zaidman D9/449

D531,032 S 10/2006 Zaidman et al.

D532,294 S * 11/2006 Fager D9/435

D545,097 S * 6/2007 Schlaupitz D6/518

7,228,984 B2 6/2007 Tack

D546,602 S 7/2007 Chasid et al.

D576,875 S * 9/2008 Steiger D9/438

D592,398 S 5/2009 Roesler

7,614,519 B2 11/2009 Krauth

7,621,401 B2 11/2009 Alegre de Miquel

D629,300 S * 12/2010 Arnell D9/449

D638,293 S 5/2011 Arnell et al.

D656,021 S 3/2012 Dunn et al.

D664,035 S * 7/2012 Hu D9/435

D665,259 S 8/2012 Dunn et al.

D678,066 S * 3/2013 Arnell D9/449

D696,944 S * 1/2014 Lepage D9/449

D711,746 S * 8/2014 Humm D9/449

D719,703 S * 12/2014 Parker D28/82

D729,062 S 5/2015 Julius et al.

9,399,540 B2 7/2016 Bushman et al.

9,463,896 B2 * 10/2016 Fitzwater B65D 5/5425

D806,571 S 1/2018 Umholtz et al.

D812,926 S * 3/2018 Van Scoyoc D6/518

D819,456 S * 6/2018 Gomez Martin D9/734

2008/0128451 A1 6/2008 Krauth et al.

2008/0179326 A1 * 7/2008 Krauth B65D 75/5838
220/260

2010/0122985 A1 5/2010 Peters

2011/0240514 A1 * 10/2011 Bando B65D 25/22
206/555

2012/0152794 A1 6/2012 Weisman et al.

2014/0174975 A1 * 6/2014 Bechyne B65D 15/00
206/494

2014/0209604 A1 7/2014 Leung

2015/0008238 A1 * 1/2015 Yamada B65D 83/0805
221/63

2015/0216378 A1 * 8/2015 Fulscher A47K 10/421
221/45

2015/0217931 A1 * 8/2015 Wada B65D 83/0805
206/494

2015/0230673 A1 8/2015 Goble

2016/0052699 A1 2/2016 Neitzel

2016/0106273 A1 * 4/2016 Yamada B65D 75/5877
221/1

2016/0113450 A1 * 4/2016 Yamada A47K 10/423
221/1

2016/0137392 A1 * 5/2016 Yamada B65D 25/22
206/494

2016/0159534 A1 * 6/2016 Ujiie B65D 75/5877
206/494

2017/0096265 A1 4/2017 Kieffer et al.

2017/0150852 A1 6/2017 Park

2018/0160868 A1 * 6/2018 Ma B08B 1/006

2018/0317720 A1 * 11/2018 Azelton B65D 83/0811

2019/0161252 A1 * 5/2019 Wang B65D 47/0809

2020/0000296 A1 * 1/2020 Moon A47K 10/18

2020/0002080 A1 * 1/2020 Robert A61B 42/40

OTHER PUBLICATIONS

“Wet Wipe Lids & Tubs, Smooth and consistent push button lid release Uniform cover/tub sealing interface for reliable evaporation control Patented non-metallic spring lid opening, p. 1 & 2, Global dispensing, <https://www.gbl-dispensing.com/copy-of-wet-wipe-flip-lids-tubs>”.

Co-pending U.S. Appl. No. 29/655,011, filed Jun. 29, 2018, by Moon et al. for “Lid Assembly With Push-Button”.

Co-pending PCT Application No. PCT/US18/40216 filed Jun. 29, 2018, by Moon et al. for “Lid Assembly Having a Curvilinear Spring Activated, Pop-Open Lid, and Container Having Same”.

Mustela Cleansing Wipes: Announced Jun. 1, 2008 (online). Site Visited (Mar. 20, 2020). Available from Internet URL: https://www.amazon.com/Mustela-Cleaning-Wipes-25-Count/dp/B00021D2XO/ref=cm_cr_ar_p_d_product_top?ie=UTF8.

Organic Baby Wipes: Announced Mar. 10, 2020 (online). Site Visited (Mar. 20, 2020). Available from Internet URL: https://www.amazon.com/Organic-Baby-Wipes-MADE-Sensitive/dp/B083ZH2B25/ref=cm_cr_ar_p_d_product_top?ie=UTF8.

Baby Wipes Market: <https://www.openpr.com/news/1352949/baby-wipes-market-by-top-leading-companies-and-manufacturers-with-industry-forecast-johnson-johnson-private-limited-Kimberly-Clark-corporation-procter-gamble-unicharm-corporation-babysil-products-ltd-cotton-babies-inc-farlin-corporation-henga.html>.

* cited by examiner

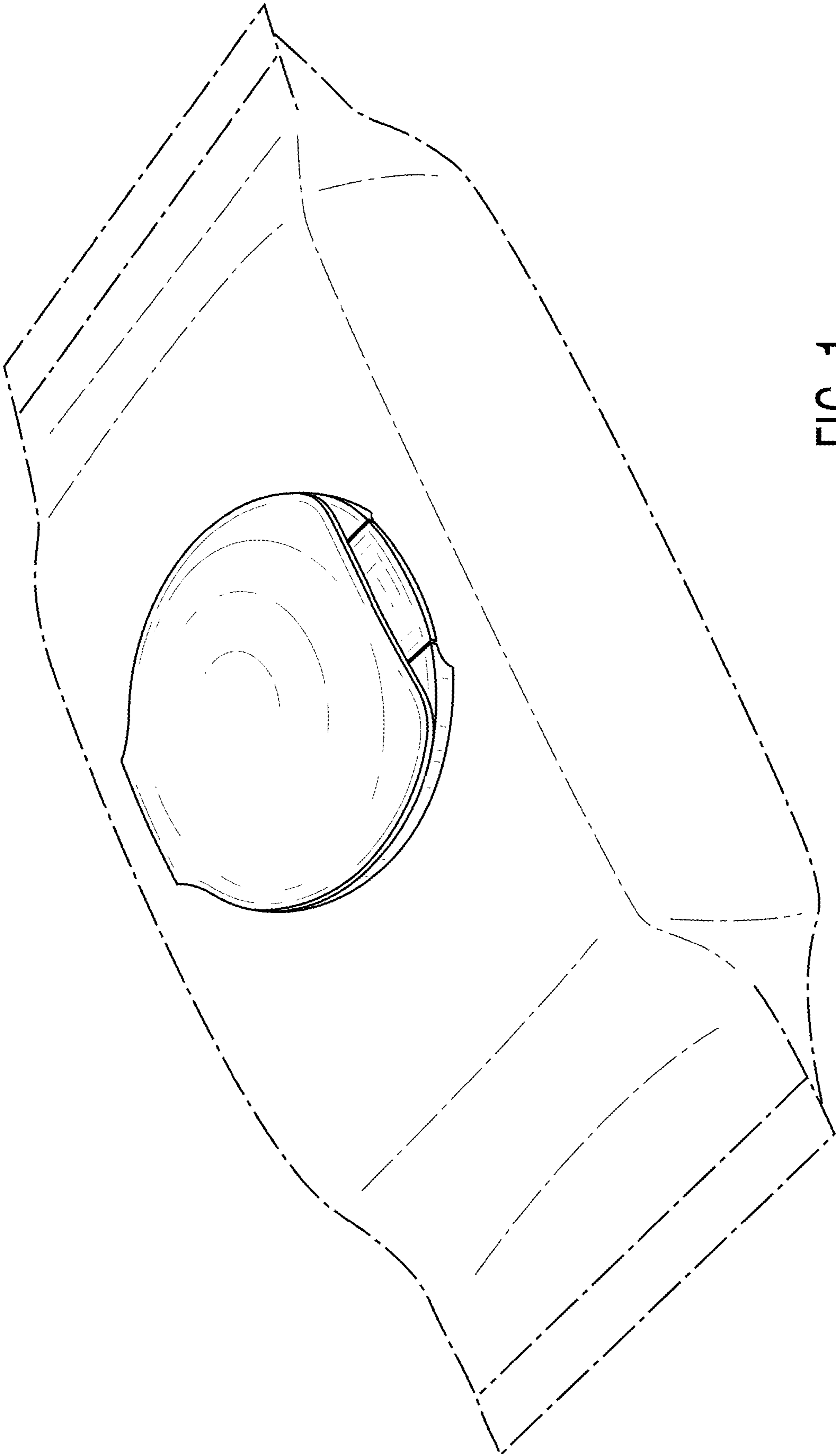


FIG. 1

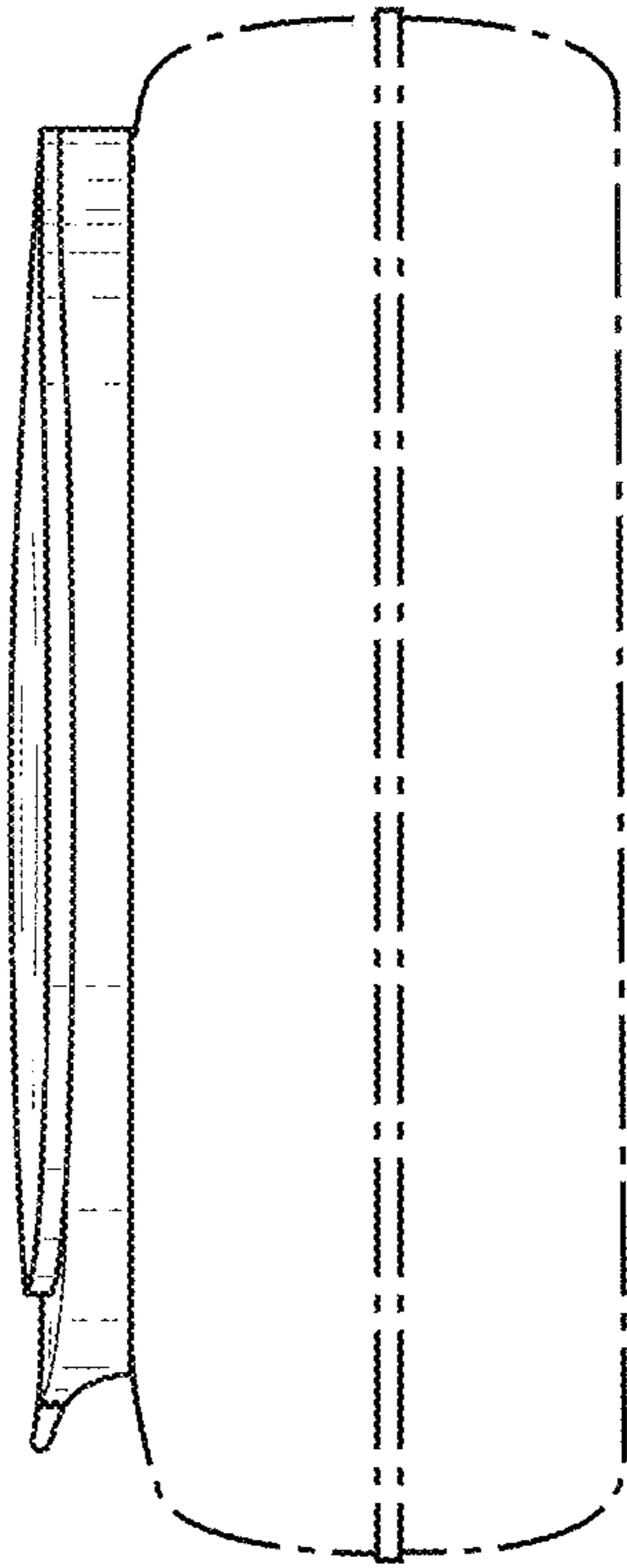


FIG. 2

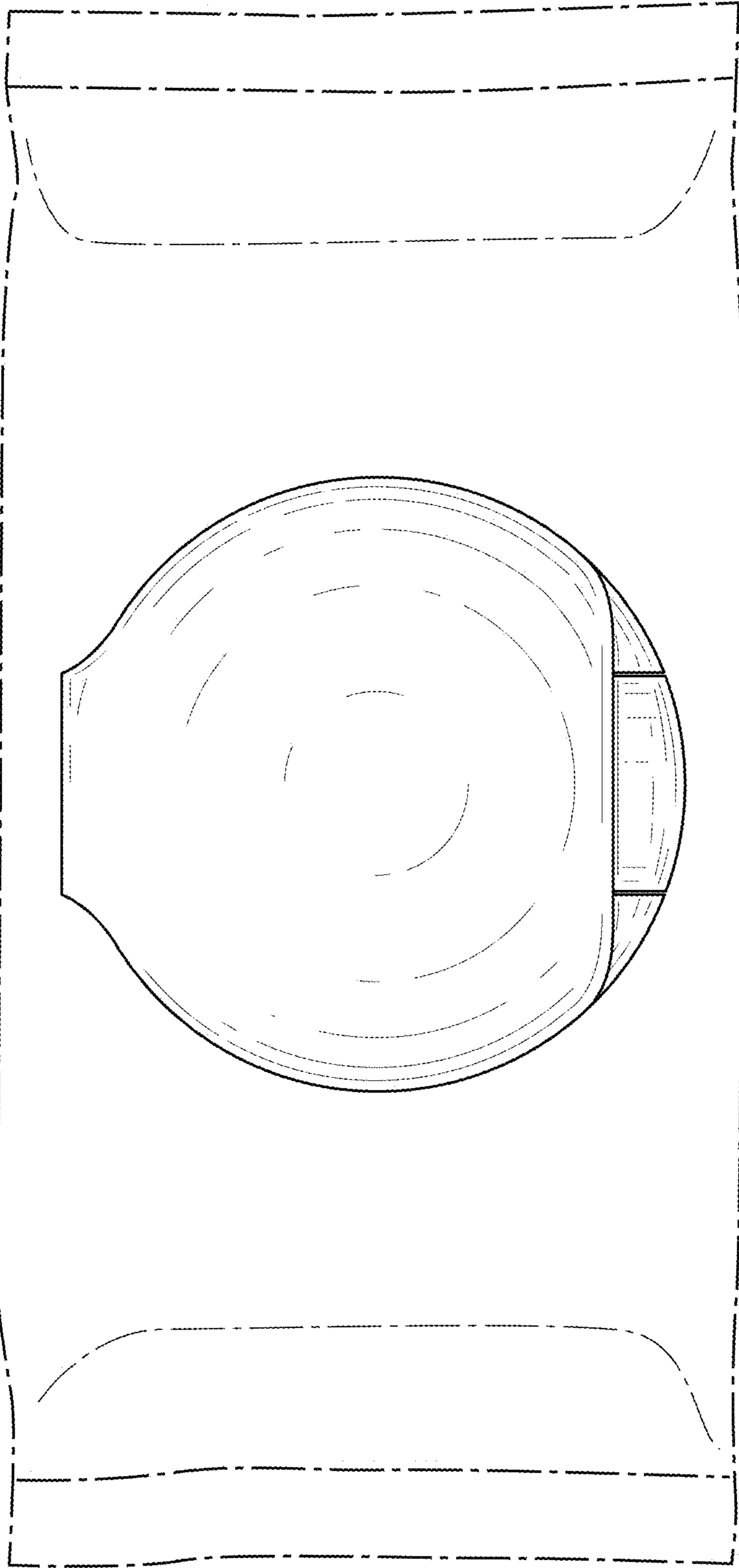


FIG. 3