



US00D912511S

(12) **United States Design Patent** (10) **Patent No.:** **US D912,511 S**  
**Berry** (45) **Date of Patent:** **\*\* Mar. 9, 2021**

- (54) **FUNNEL CAP**
- (71) Applicant: **Kyle Berry**, Abilene, TX (US)
- (72) Inventor: **Kyle Berry**, Abilene, TX (US)
- (73) Assignee: **SPITIT, LLC**, Shiner, TX (US)
- (\*\*) Term: **15 Years**
- (21) Appl. No.: **29/634,910**
- (22) Filed: **Jan. 25, 2018**
- (51) **LOC (13) Cl.** ..... **09-07**
- (52) **U.S. Cl.**  
USPC ..... **D9/436; D7/700**
- (58) **Field of Classification Search**  
USPC ..... D7/12, 216, 318, 372, 400, 669, 691,  
D7/700; D8/1, 2, 34; D9/436, 719, 702,  
D9/707, 712; D10/46.2, 64; D12/197;  
D15/136, 138, 150, 152, 199; D21/209,  
D21/212; D23/200, 209, 212; D24/109,  
D24/112, 122, 127, 162; D30/121, 162;  
D34/2  
CPC ..... B67C 11/02; B67C 11/00; B65D 25/48;  
B65D 41/04; B65D 51/24; B65D 88/26;  
B65D 2231/007  
See application file for complete search history.

- D827,771 S \* 9/2018 Zhao ..... D23/209
- D845,722 S \* 4/2019 Kasting ..... D7/700
- D847,449 S \* 4/2019 Viera ..... D34/2
- 2015/0068643 A1\* 3/2015 Baughman ..... B67C 11/02  
141/332

**OTHER PUBLICATIONS**

Maya Plastics: Announced [May 26, 2011, online]. Site Visited [Sep. 23, 2019]<https://www.turbosquid.com/3d-models/maya-plastic-vials/606810>.\*

\* cited by examiner

*Primary Examiner* — Catherine S Posthauer  
(74) *Attorney, Agent, or Firm* — Chamberlain Hrdlicka

(57) **CLAIM**

The ornamental design for a funnel cap, as shown and described.

**DESCRIPTION**

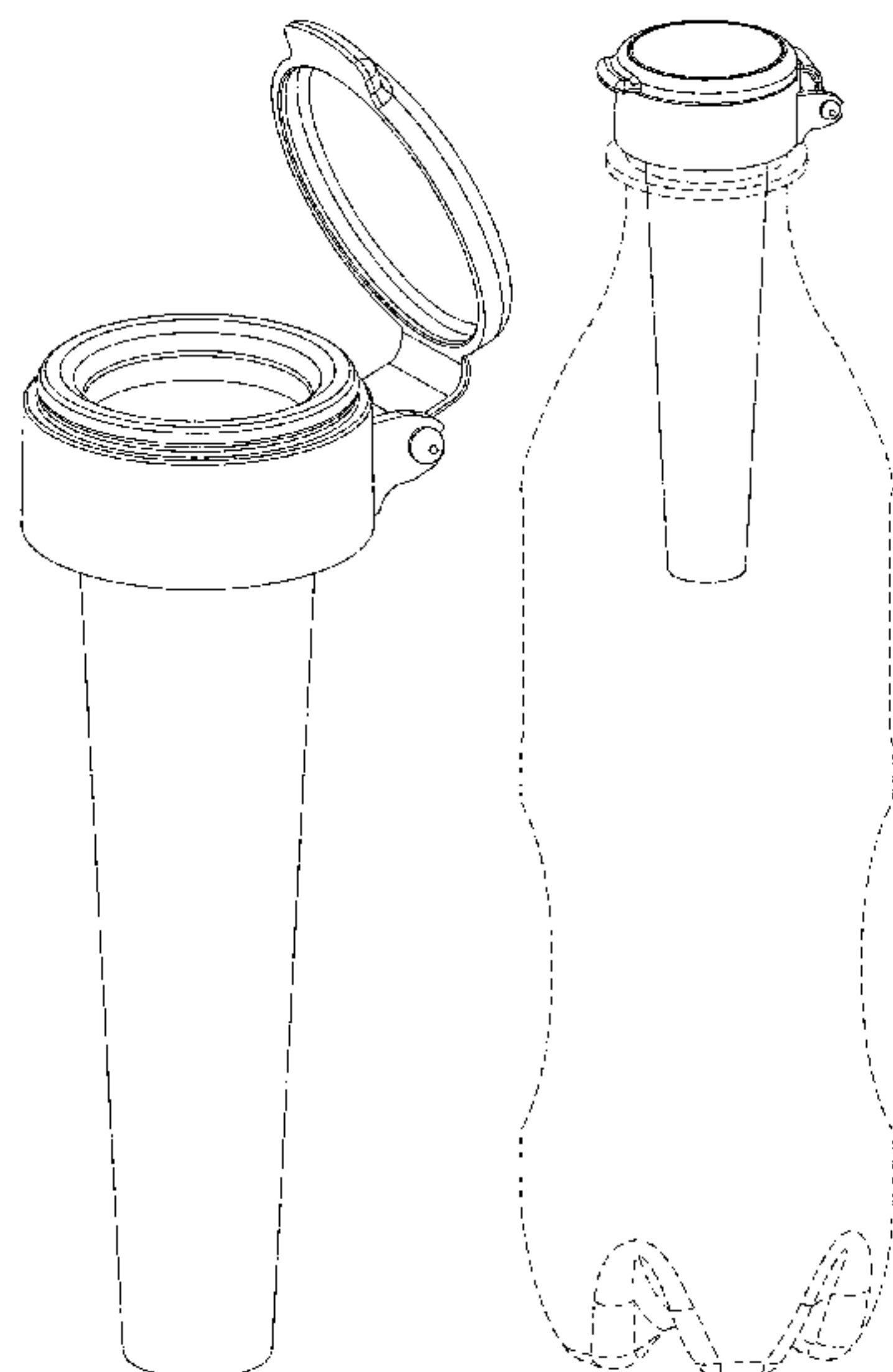
FIG. 1 is a side perspective view of a funnel cap in a closed position showing my new design;  
 FIG. 2 is a side perspective view of the funnel cap of FIG. 1 in an open position;  
 FIG. 3 is a top perspective view of the cap portion of the funnel cap, thereof, shown separately to show aspects of the design not visible when combined, thereof;  
 FIG. 4 is a top perspective view of the funnel portion of a funnel cap, thereof, shown separately to show aspects of the design not visible when combined;  
 FIG. 5 is a cross-sectional view of the funnel cap of FIG. 1, taken in the direction of line 5-5 on FIG. 1; and,  
 FIG. 6 is an assembled and closed top side perspective view of the funnel cap thereof, shown in a position of use with an exemplary beverage container.  
 The broken lines are shown for the purpose of illustrating environmental subject matter of an exemplary beverage container and form no part of the claim.

**1 Claim, 3 Drawing Sheets**

(56) **References Cited**

**U.S. PATENT DOCUMENTS**

- D398,950 S \* 9/1998 Kefer ..... D23/200
- D424,437 S \* 5/2000 Smith ..... D7/700
- 6,321,948 B1 \* 11/2001 Bellon ..... B67D 3/045  
222/153.14
- D560,106 S \* 1/2008 Curtin ..... D7/700
- D713,221 S \* 9/2014 Meyer ..... D8/1
- D725,975 S \* 4/2015 Klenk ..... D10/46.2
- D728,331 S \* 5/2015 Wirth ..... D7/700
- D740,085 S \* 10/2015 Baughman ..... D7/700
- D768,349 S \* 10/2016 Macfarlane ..... D34/2
- D816,799 S \* 5/2018 Bell ..... D23/209
- D817,122 S \* 5/2018 Ming ..... D8/1



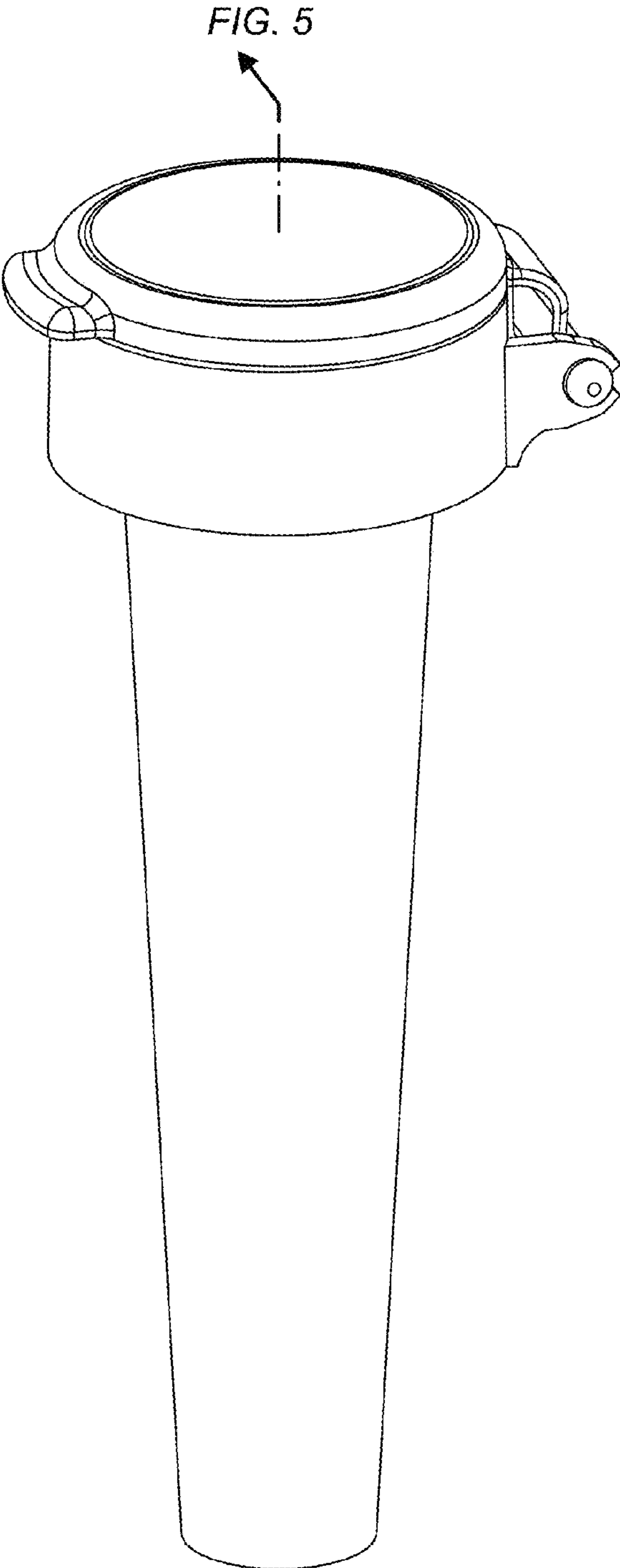
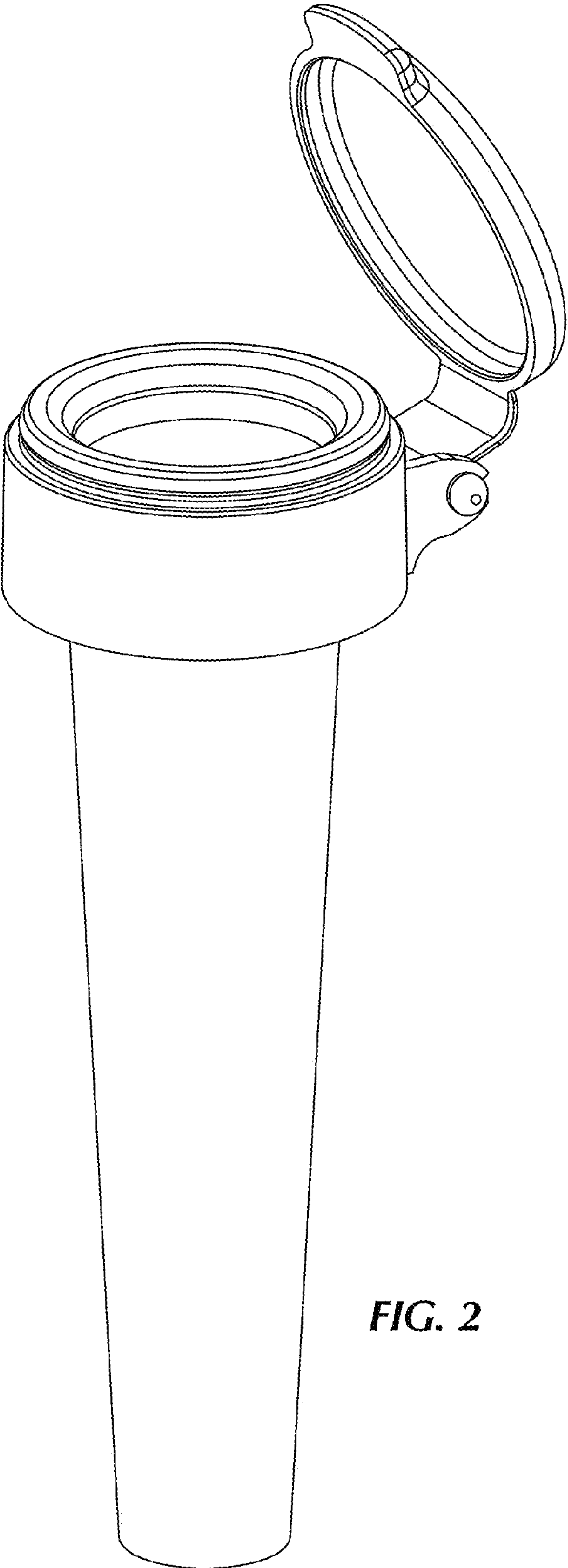
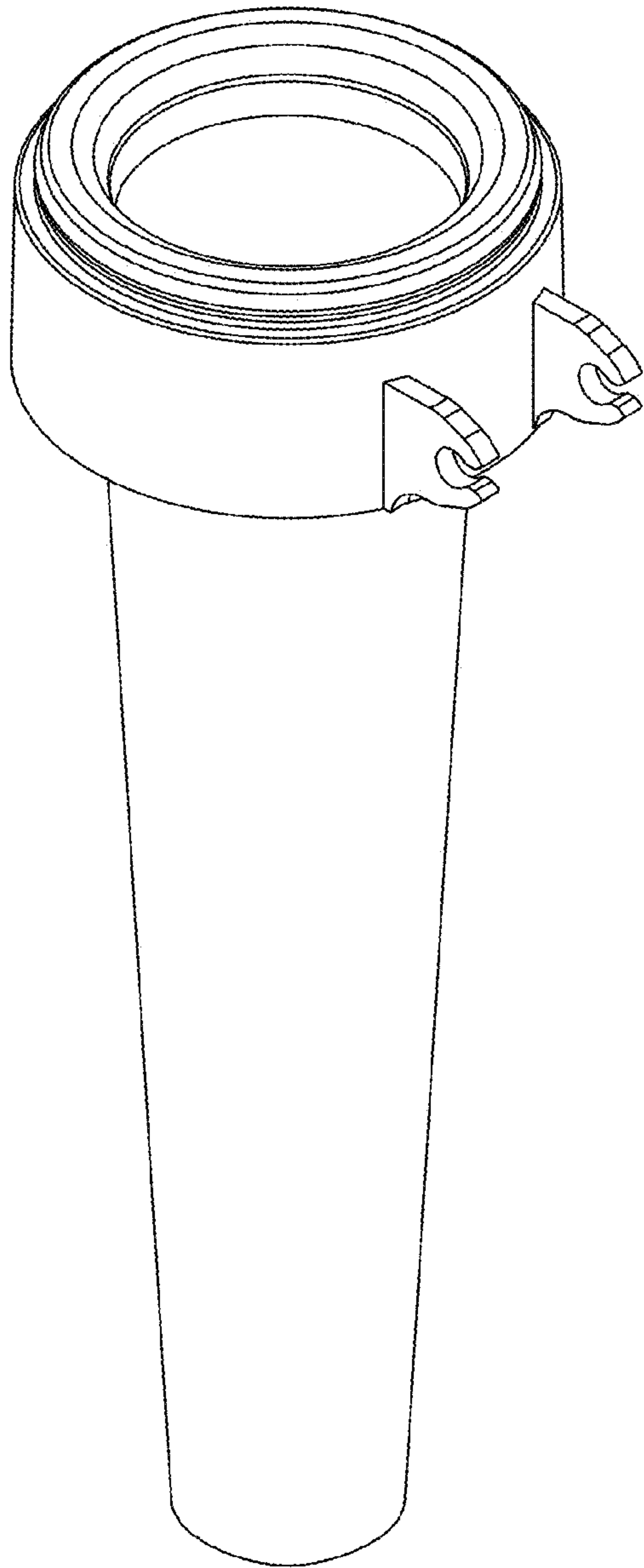


FIG. 5.

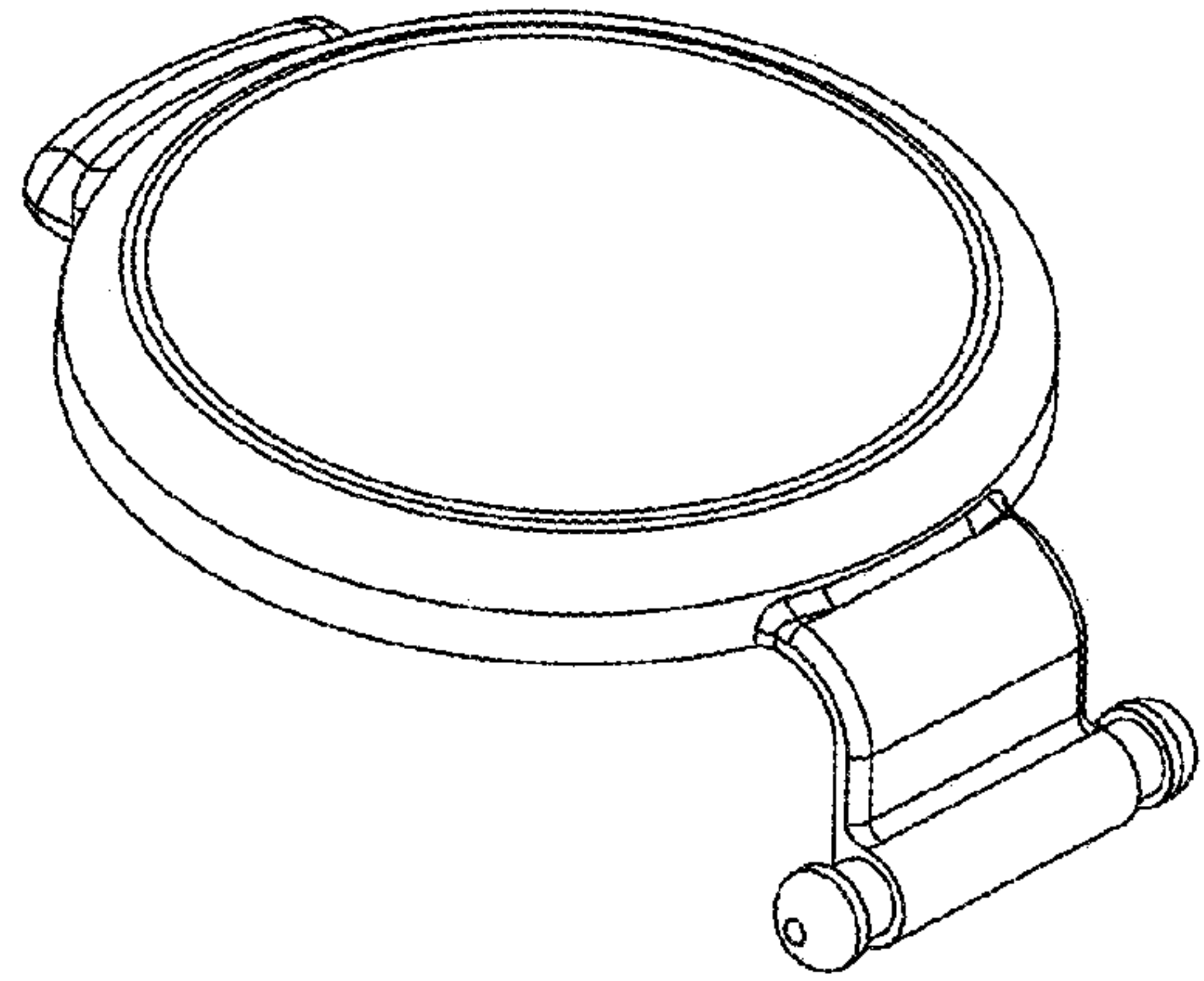
**FIG. 1**



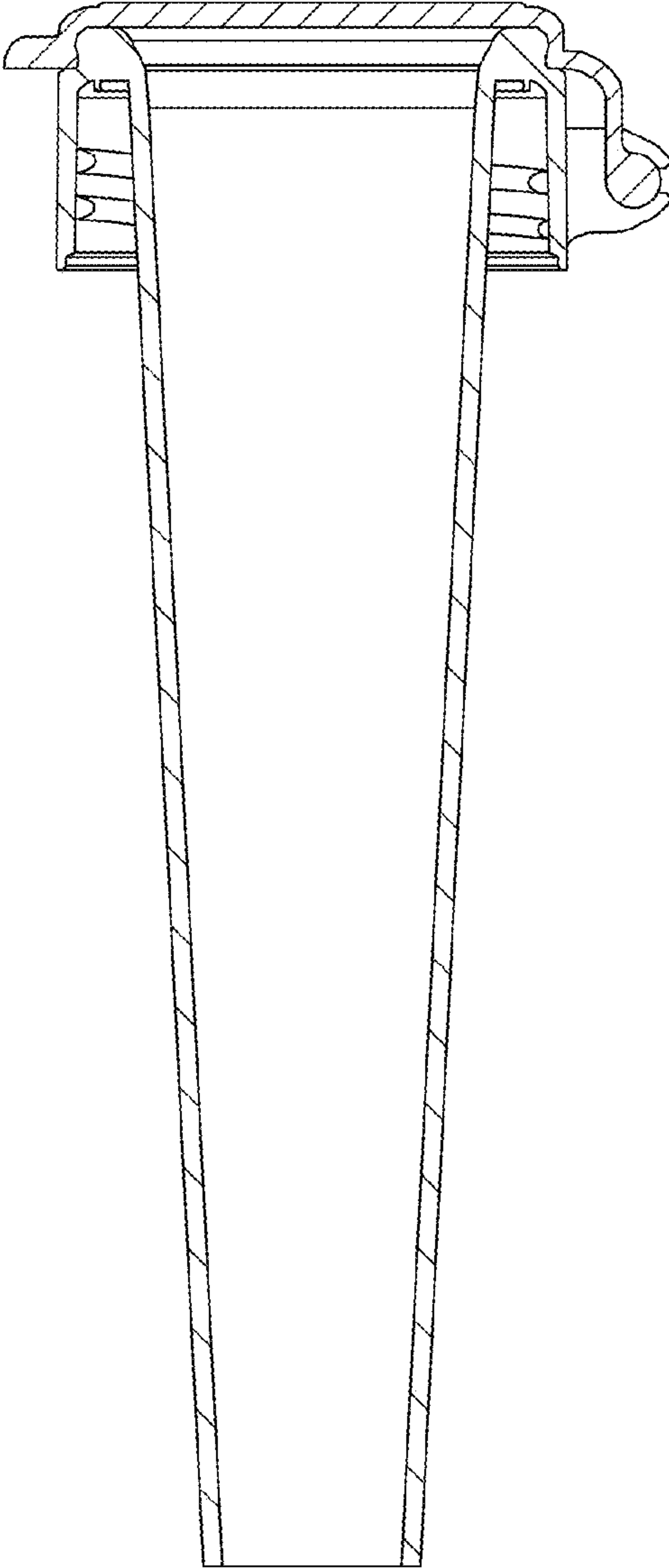
**FIG. 2**



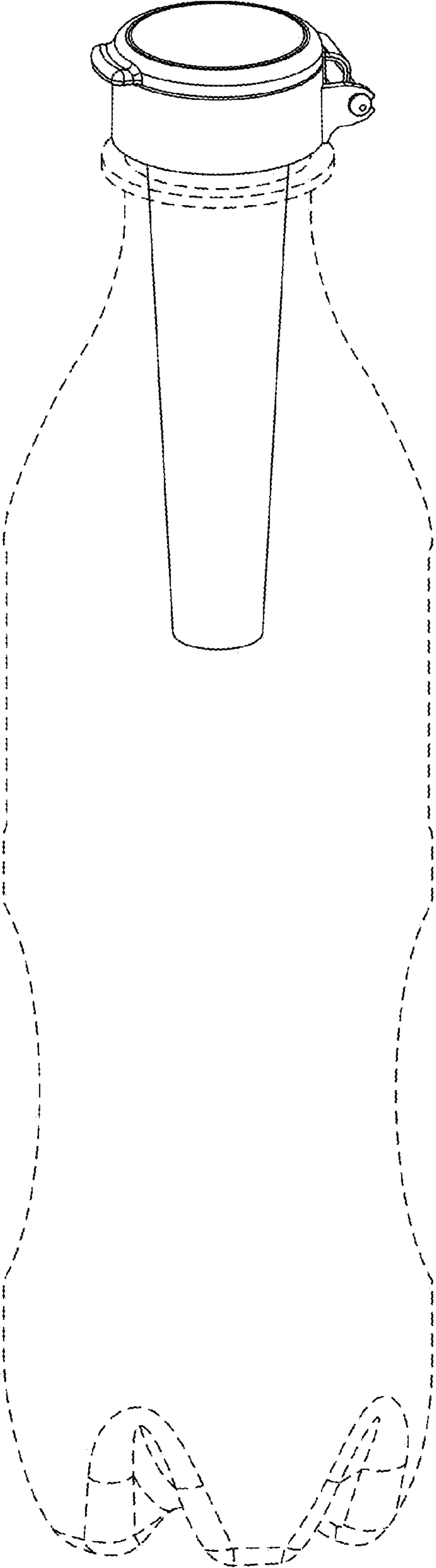
**FIG. 4**



**FIG. 3**



**FIG. 5**



**FIG. 6**