



US00D912509S

(12) **United States Design Patent**
Kirchen

(10) **Patent No.:** **US D912,509 S**
(45) **Date of Patent:** **** Mar. 9, 2021**

(54) **PACKAGING BLANK**
(71) Applicant: **SIG Technology AG**, Neuhausen am Rheinfall (CH)
(72) Inventor: **Tim Kirchen**, Media, PA (US)
(73) Assignee: **SIG Technology AG**, Neuhausen am Rheinfall (CH)

2,922,561 A 1/1960 Currivan
3,156,404 A 11/1964 Wood
3,229,892 A 1/1966 Weiss
3,252,649 A 5/1966 Graser et al.
3,257,066 A 6/1966 Williams
3,278,075 A 10/1966 Weiss
3,292,843 A 12/1966 Chidsey et al.
3,339,723 A 9/1967 Wood
3,355,012 A 11/1967 Weiss
3,367,557 A 2/1968 Farquhar
(Continued)

(**) Term: **15 Years**

(21) Appl. No.: **29/717,176**

(22) Filed: **Dec. 16, 2019**

Related U.S. Application Data

(62) Division of application No. 29/650,036, filed on Jun. 4, 2018, now Pat. No. Des. 887,830.

Foreign Application Priority Data

Apr. 17, 2018 (EM) 005237443

(51) **LOC (13) Cl.** **09-03**

(52) **U.S. Cl.**
USPC **D9/433**

(58) **Field of Classification Search**
USPC D9/414-423, 424-429, 430-433, 434, D9/456, 457, 711, 713, 721-722, 737, D9/756, 758, 759, 760; D3/272-274, D3/290, 304, 305, 315; D20/10, 22, 27, D20/40, 42
CPC ... B65D 5/00; B65D 5/12; B65D 5/18; B65D 5/20
See application file for complete search history.

(56) **References Cited**

U.S. PATENT DOCUMENTS

2,811,250 A 10/1957 Arneson
2,872,036 A 2/1959 Forrer

OTHER PUBLICATIONS

Finland Design Publication, vol. 10, (Oct. 15, 1997), p. 32, 231/97 (Patent Office Design Section Public Material No. HH10061346).
(Continued)

Primary Examiner — Vy N Koenig
(74) *Attorney, Agent, or Firm* — The Webb Law Firm

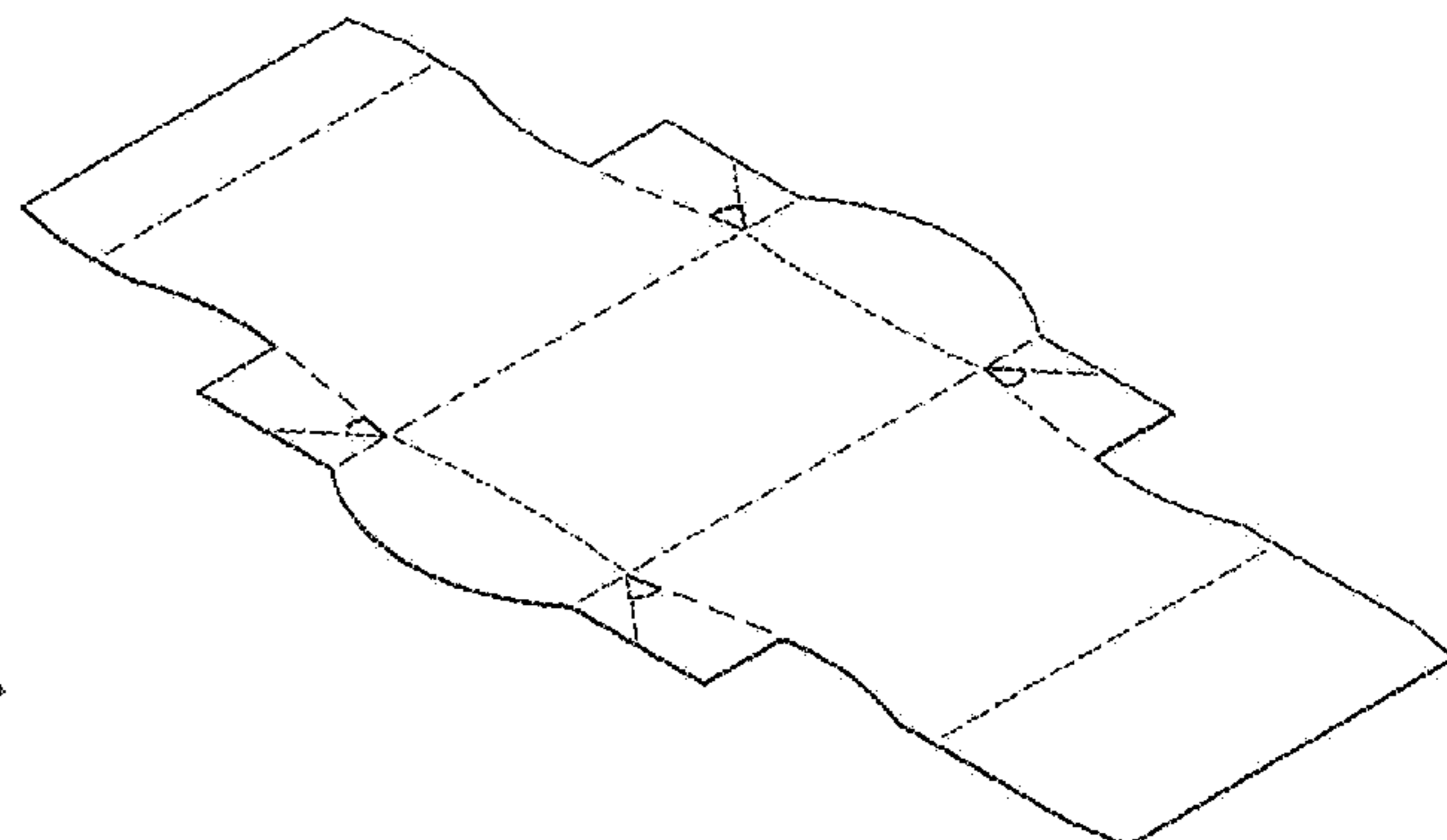
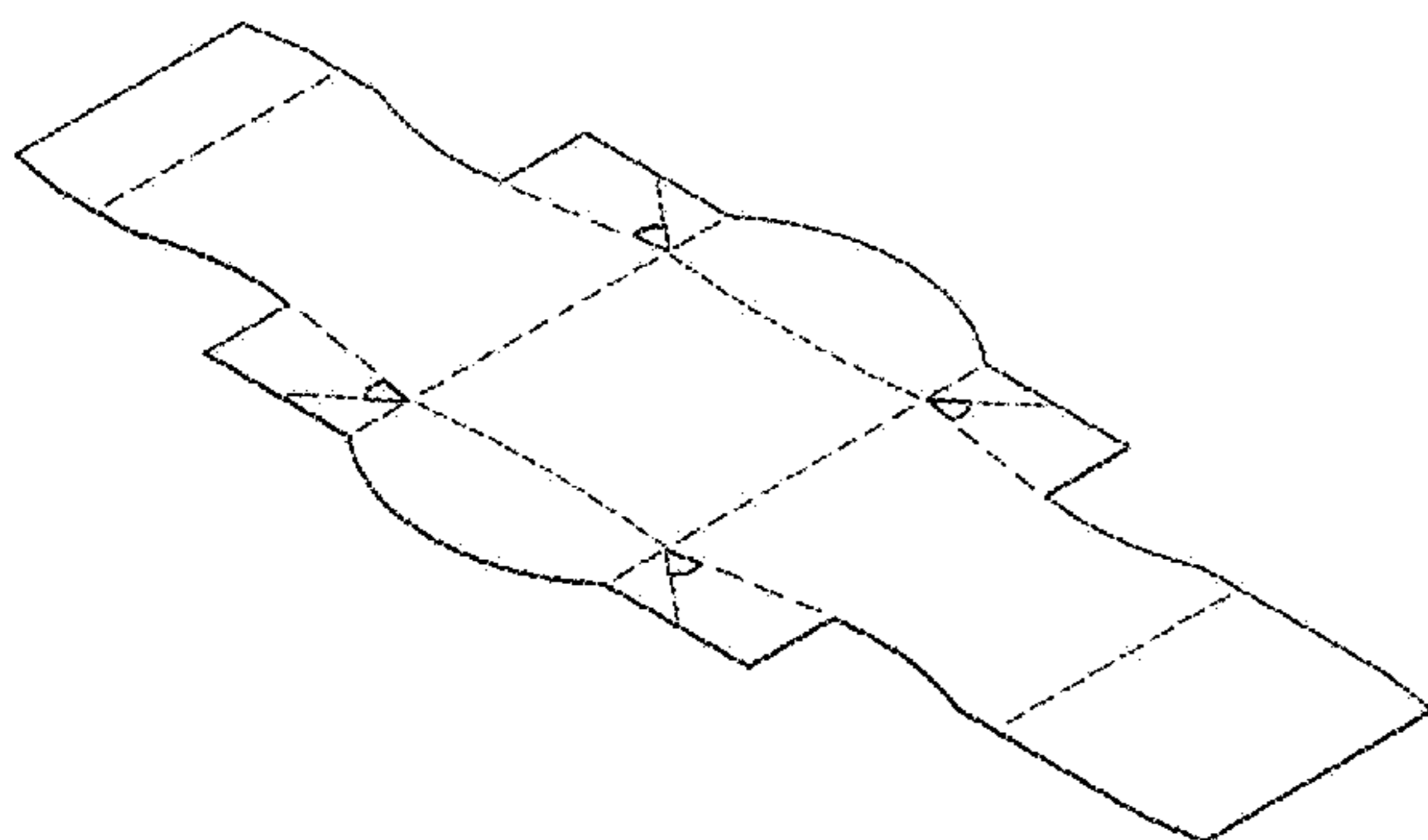
(57) **CLAIM**

The ornamental design for a packaging blank, as shown and described.

DESCRIPTION

FIG. 1 is an upper perspective view of a packaging blank showing my new design in accordance with a first embodiment of the invention;
FIG. 2 is a top view thereof;
FIG. 3 is an upper perspective view of a packaging blank showing my new design in accordance with a second embodiment of the invention;
FIG. 4 is a top view thereof;
FIG. 5 is an upper perspective view of a packaging blank showing my new design in accordance with a third embodiment of the invention; and,
FIG. 6 is a top view thereof.
Broken lines in the drawings depict fold lines and form part of the claimed design.

1 Claim, 6 Drawing Sheets



(56)

References Cited

U.S. PATENT DOCUMENTS

3,375,968	A	4/1968	Weiss	
3,381,881	A	5/1968	Ganz et al.	
3,429,496	A	2/1969	Hickin	
3,462,011	A	8/1969	Farquhar	
3,517,876	A	6/1970	Stout	
5,520,283	A	5/1996	Sutherland	
5,690,275	A	11/1997	Bose et al.	
D395,007	S	6/1998	Miller et al.	
D395,601	S	6/1998	Miller et al.	
D415,423	S	10/1999	Miller et al.	
6,019,220	A	2/2000	Sutherland	
D427,522	S *	7/2000	Ponzio	D9/754
D702,117	S	4/2014	Dagnino	
D826,711	S	8/2018	Boersma et al.	
D842,089	S	3/2019	Nuamu et al.	
D854,412	S	7/2019	Smalley	
D861,483	S *	10/2019	Smalley	D9/431
D867,900	S	11/2019	Thompson et al.	
D881,690	S	4/2020	Smalley	
D885,887	S *	6/2020	Thompson	D9/430
D887,830	S *	6/2020	Kirchen	D9/431

OTHER PUBLICATIONS

Prepared Foods, No. 03, vol. 174, p. 60 (Patent Office Design
Section Public Material No. HB17005491.

* cited by examiner

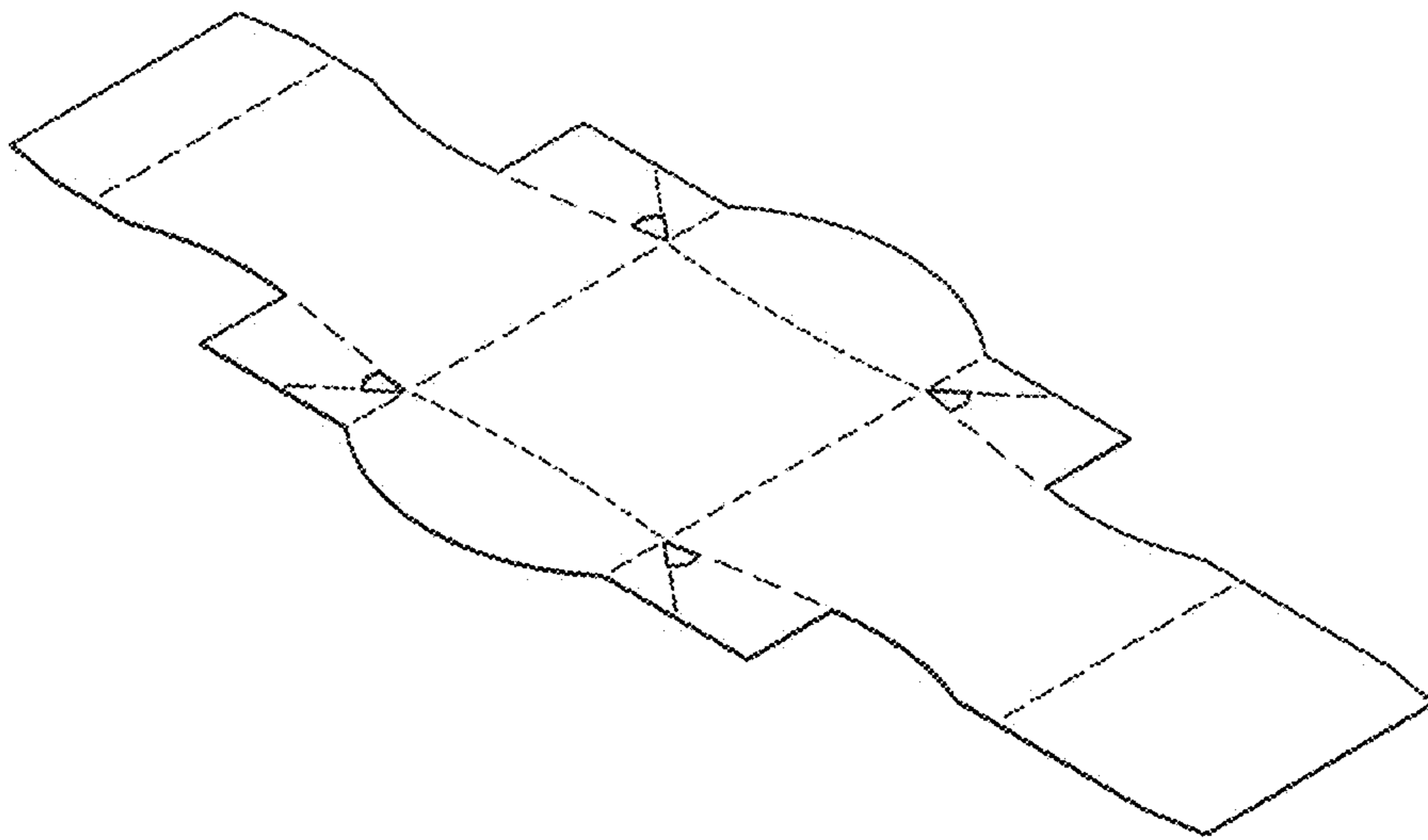


FIG. 1

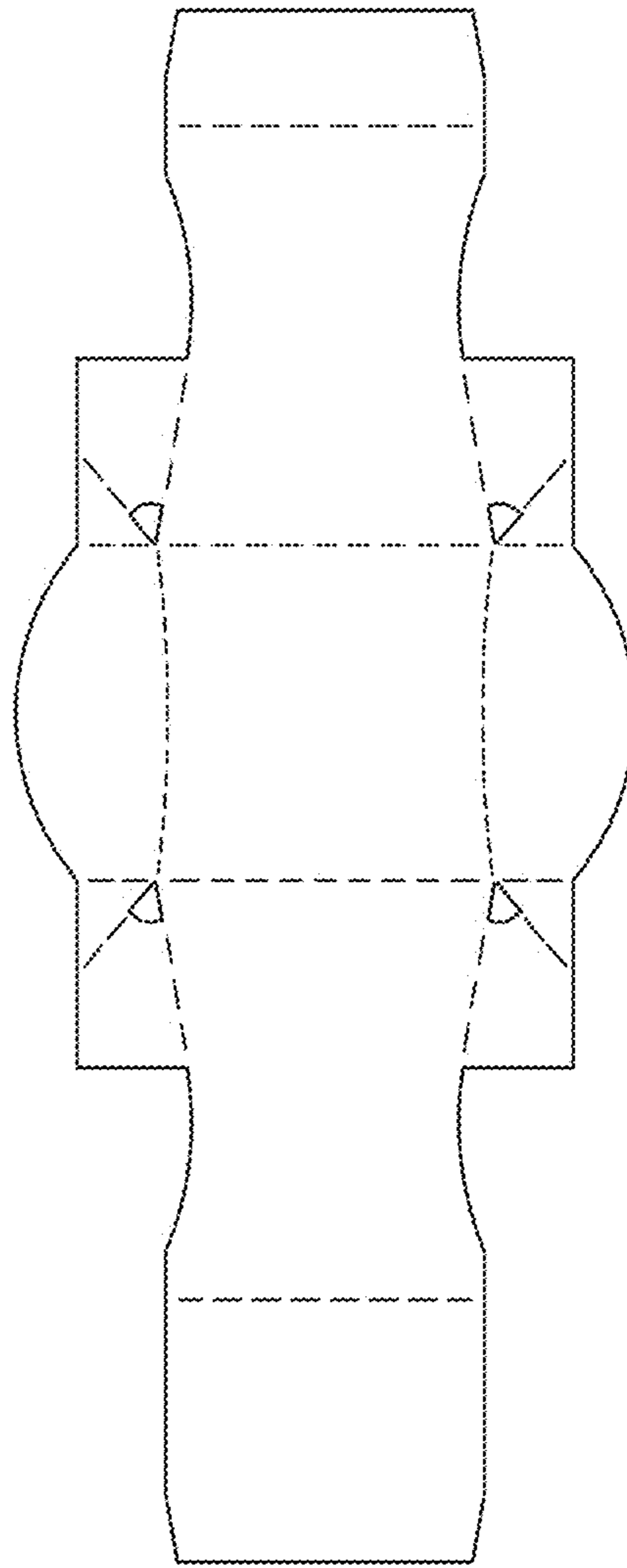


FIG. 2

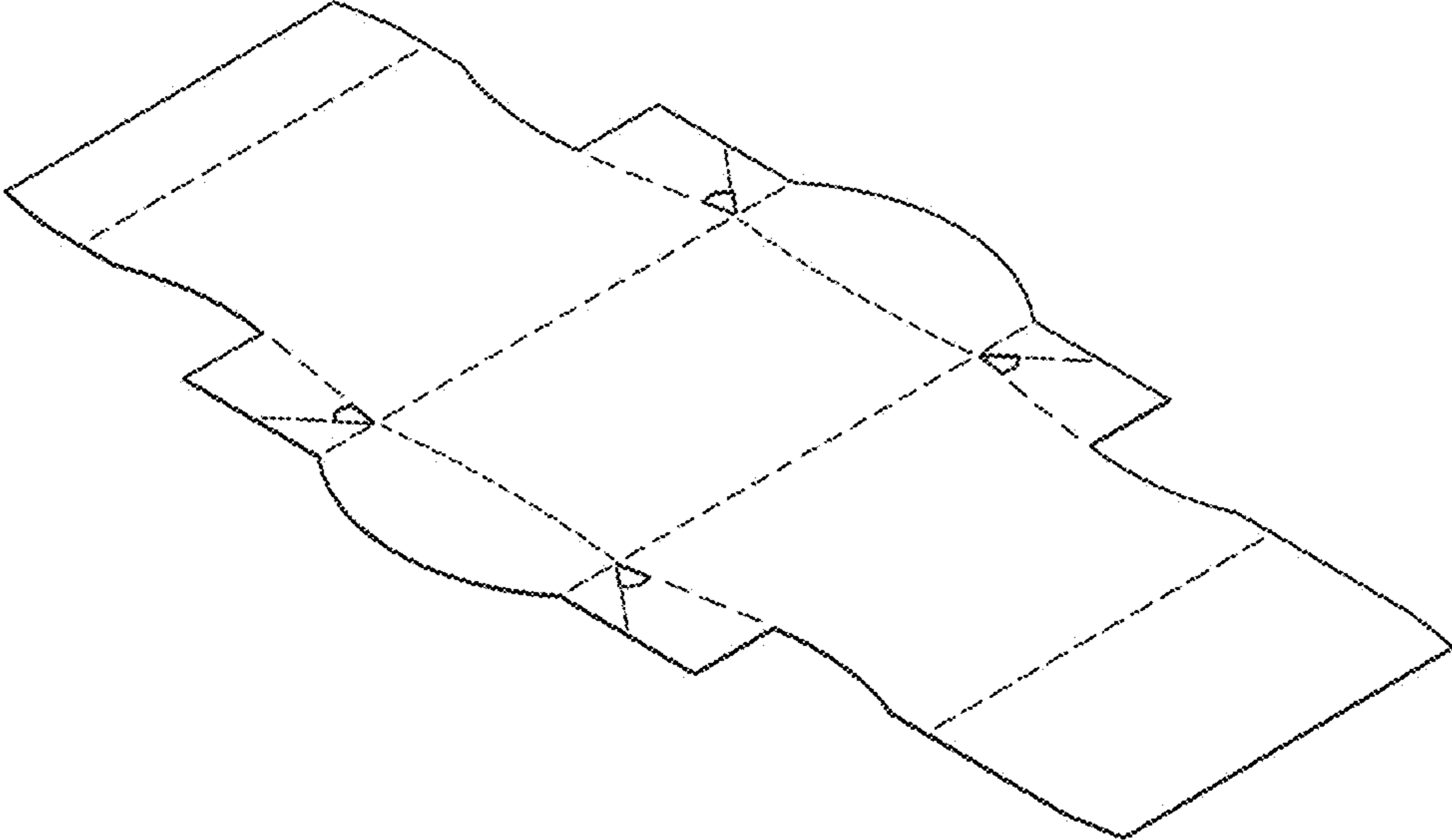


FIG. 3

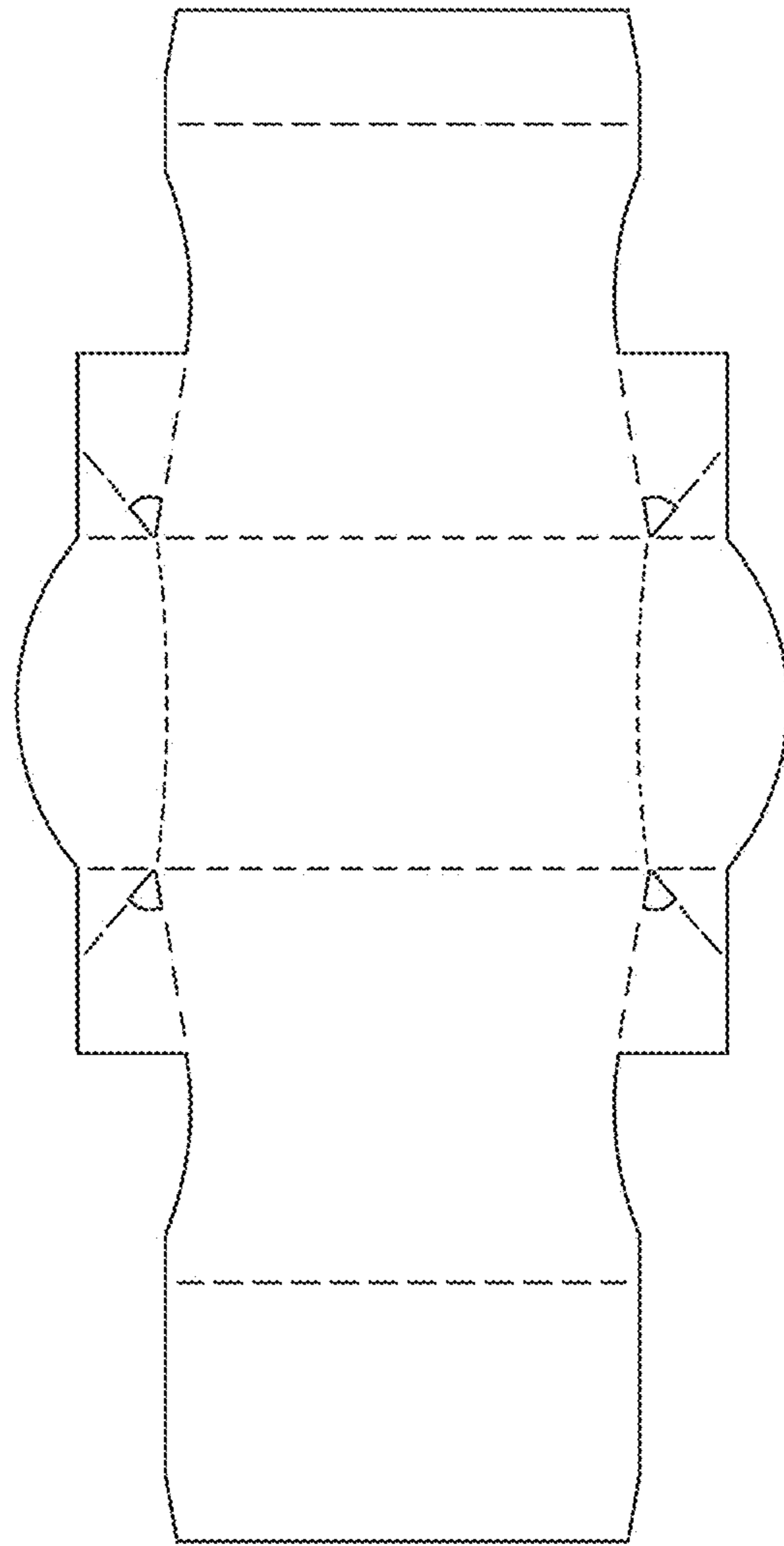


FIG. 4

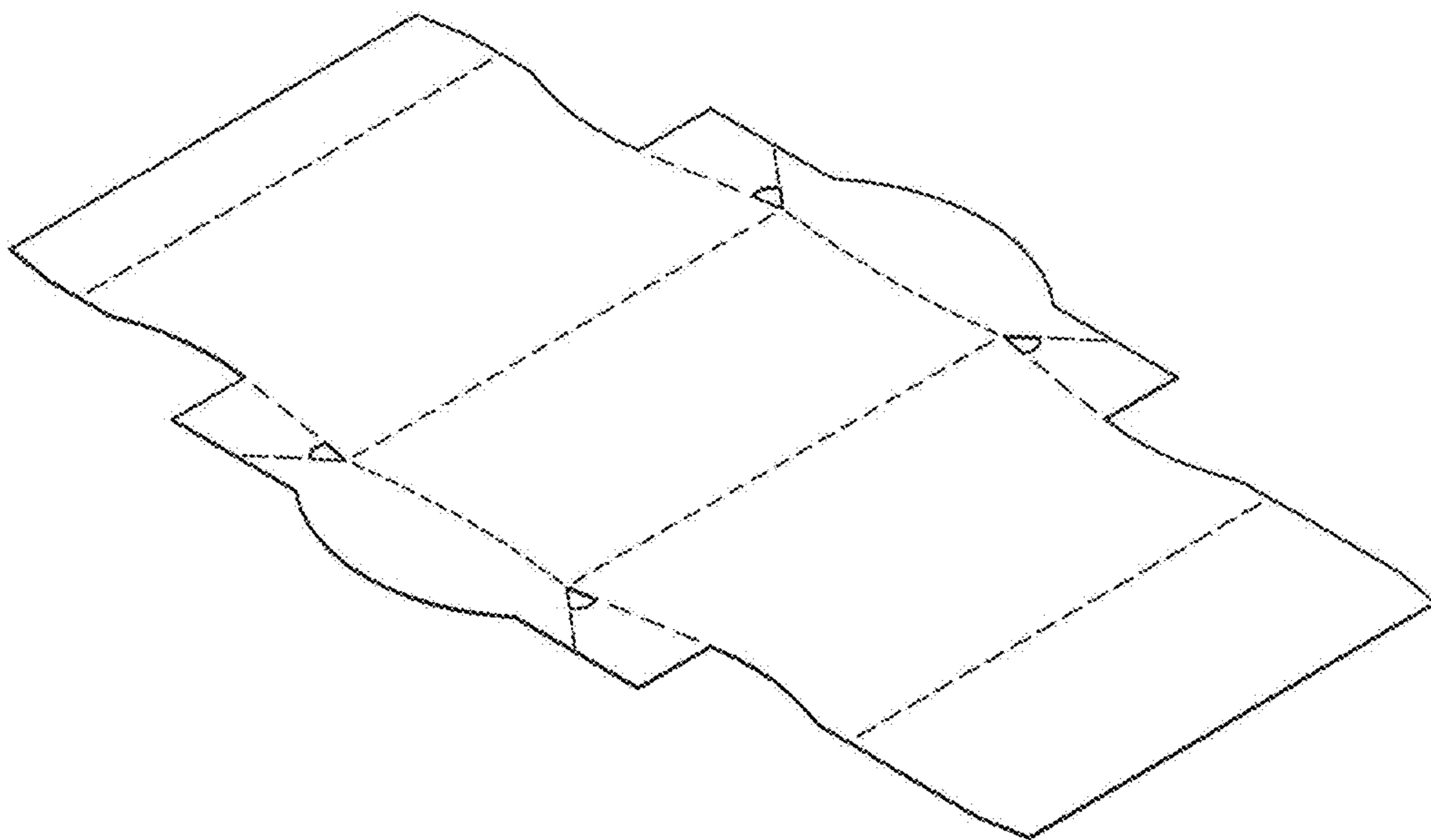


FIG. 5

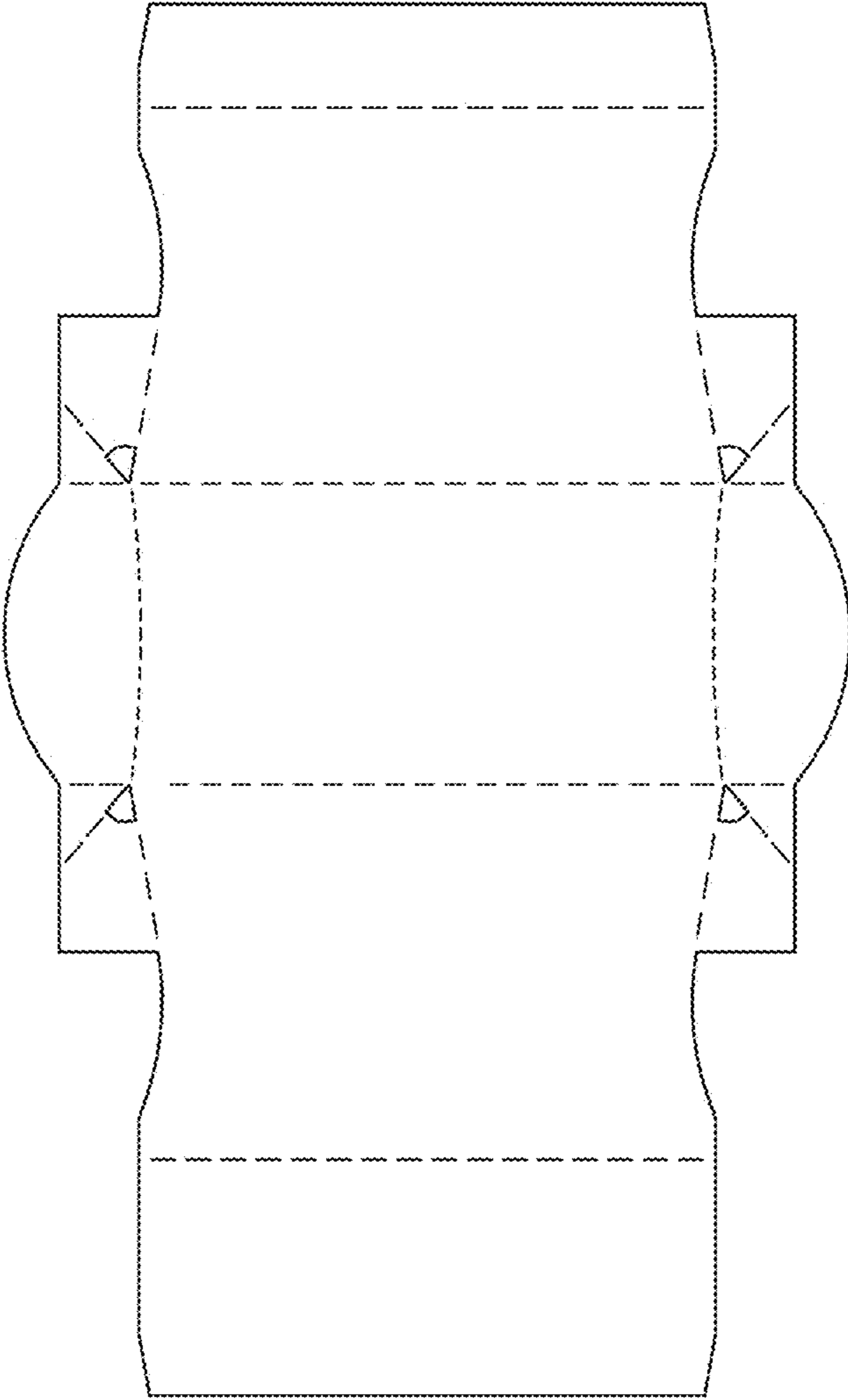


FIG. 6