



US00D912504S

(12) **United States Design Patent**
Mastronardi

(10) **Patent No.:** **US D912,504 S**

(45) **Date of Patent:** **** Mar. 9, 2021**

(54) **CONTAINER**
(71) Applicant: **Mastronardi Produce Ltd.**, Kingsville (CA)
(72) Inventor: **Paul Mastronardi**, Leamington (CA)
(73) Assignee: **Mastronardi Produce Limited**, Kingsville (CA)
(**) Term: **15 Years**
(21) Appl. No.: **29/689,866**

D165,723 S	1/1952	Schneeloch	
D210,477 S	3/1968	Beyer	
D215,254 S *	9/1969	Glavin	D27/115
D251,534 S	4/1979	Lutzker	
D251,535 S	4/1979	Lutzker	
D389,876 S	1/1998	Cooley	
D437,186 S *	2/2001	Asner	D7/544
D523,695 S *	6/2006	Haataja	D7/543
D579,539 S	10/2008	Osterberg	
D592,458 S *	5/2009	Scherer	D7/566
D615,829 S	5/2010	Shamoon	
D673,849 S *	1/2013	Barbier	D9/429
D705,051 S *	5/2014	Cassens	D9/429
D828,760 S	9/2018	Caly	
D845,757 S *	4/2019	Garcia	D9/428

(22) Filed: **May 2, 2019**
(51) **LOC (13) Cl.** **09-03**
(52) **U.S. Cl.**
USPC **D9/425**
(58) **Field of Classification Search**
USPC D7/400, 601, 608; D9/416, 417, 420,
D9/425-429, 430, 432, 761; 206/499,
206/501, 502, 821; 220/625, 656, 669,
220/670, 674; 229/123.1, 123.2, 125.33,
229/125.35, 400-407, 915, 939
CPC . B65D 1/26; B65D 1/40; B65D 5/243; B65D
81/3453; B65D 2581/34; B65D
2581/3404; B65D 2581/3456
See application file for complete search history.

* cited by examiner

Primary Examiner — Janice Patyk
(74) *Attorney, Agent, or Firm* — Dinsmore & Shohl LLP

(57) **CLAIM**

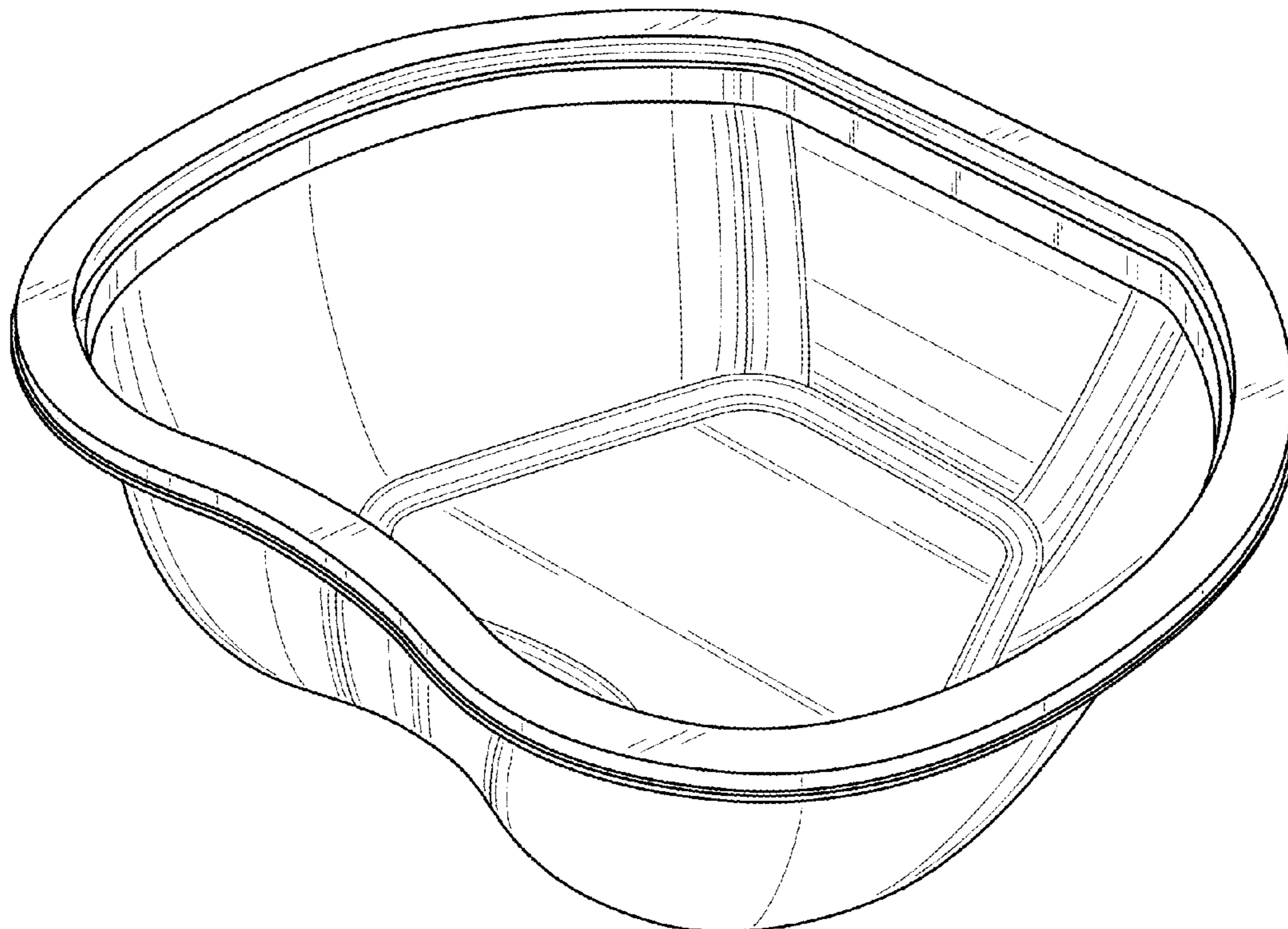
The ornamental design for a container, as shown and described.

DESCRIPTION

FIG. 1 is a top, front perspective view of a container, showing my new design;
FIG. 2 is a top plan view thereof;
FIG. 3 is a bottom plan view thereof;
FIG. 4 is a side elevation view thereof.
FIG. 5 is an opposite side elevation view thereof;
FIG. 6 is a front elevation view thereof; and,
FIG. 7 is a rear elevation view thereof.

(56) **References Cited**
U.S. PATENT DOCUMENTS
D122,414 S 9/1940 Prouty
D123,913 S 12/1940 Newland

1 Claim, 7 Drawing Sheets



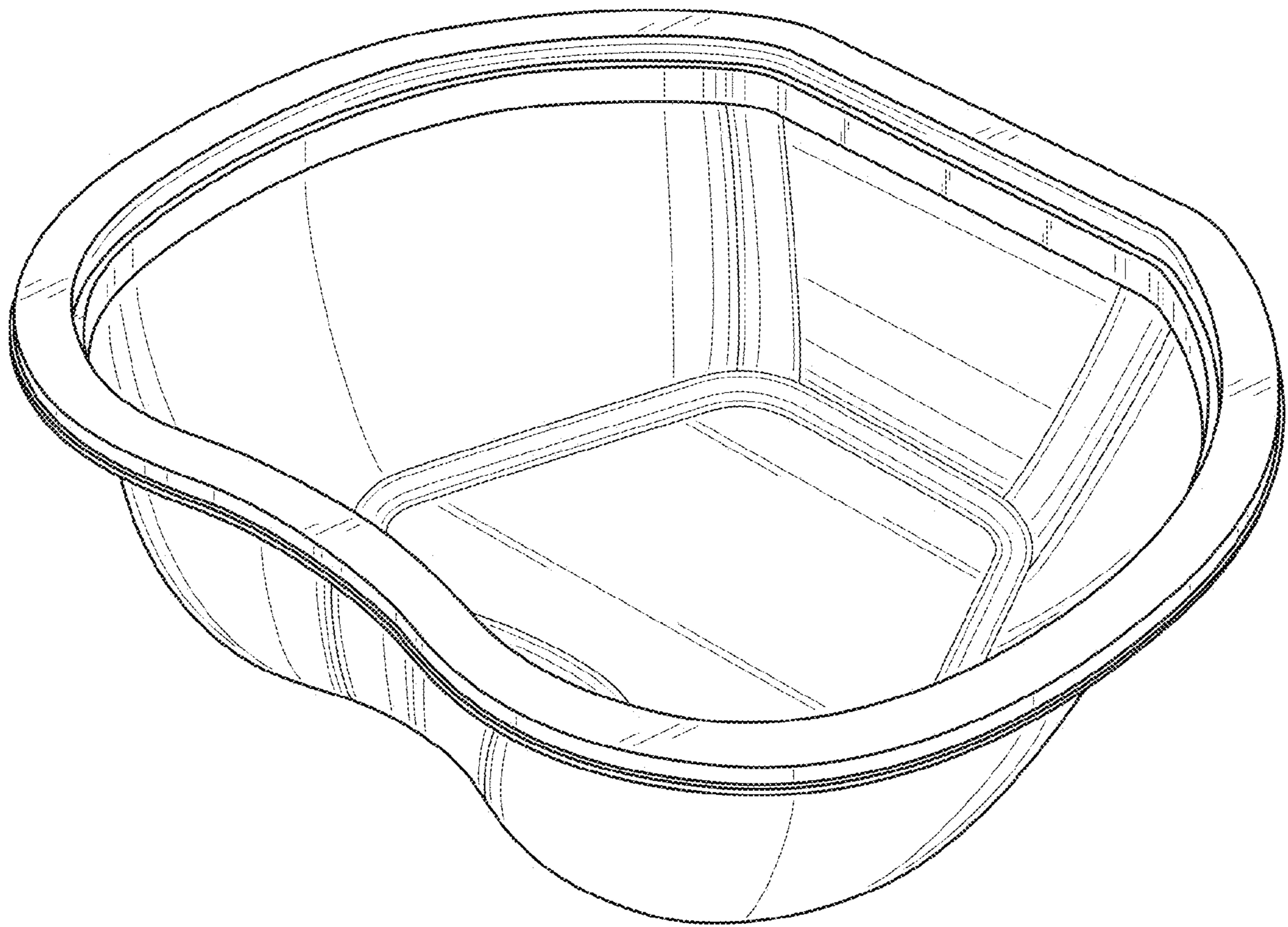


FIG. 1

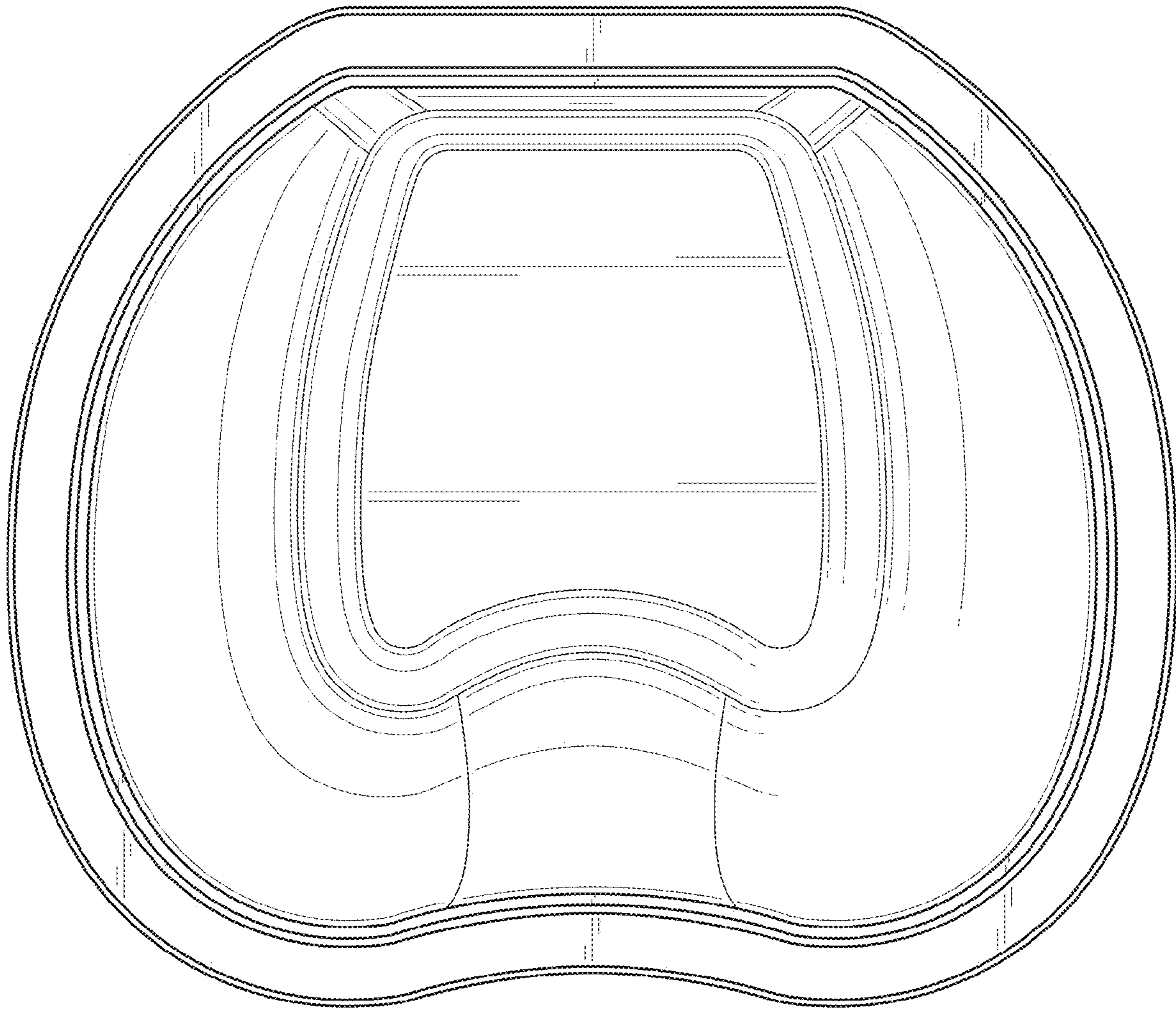


FIG. 2

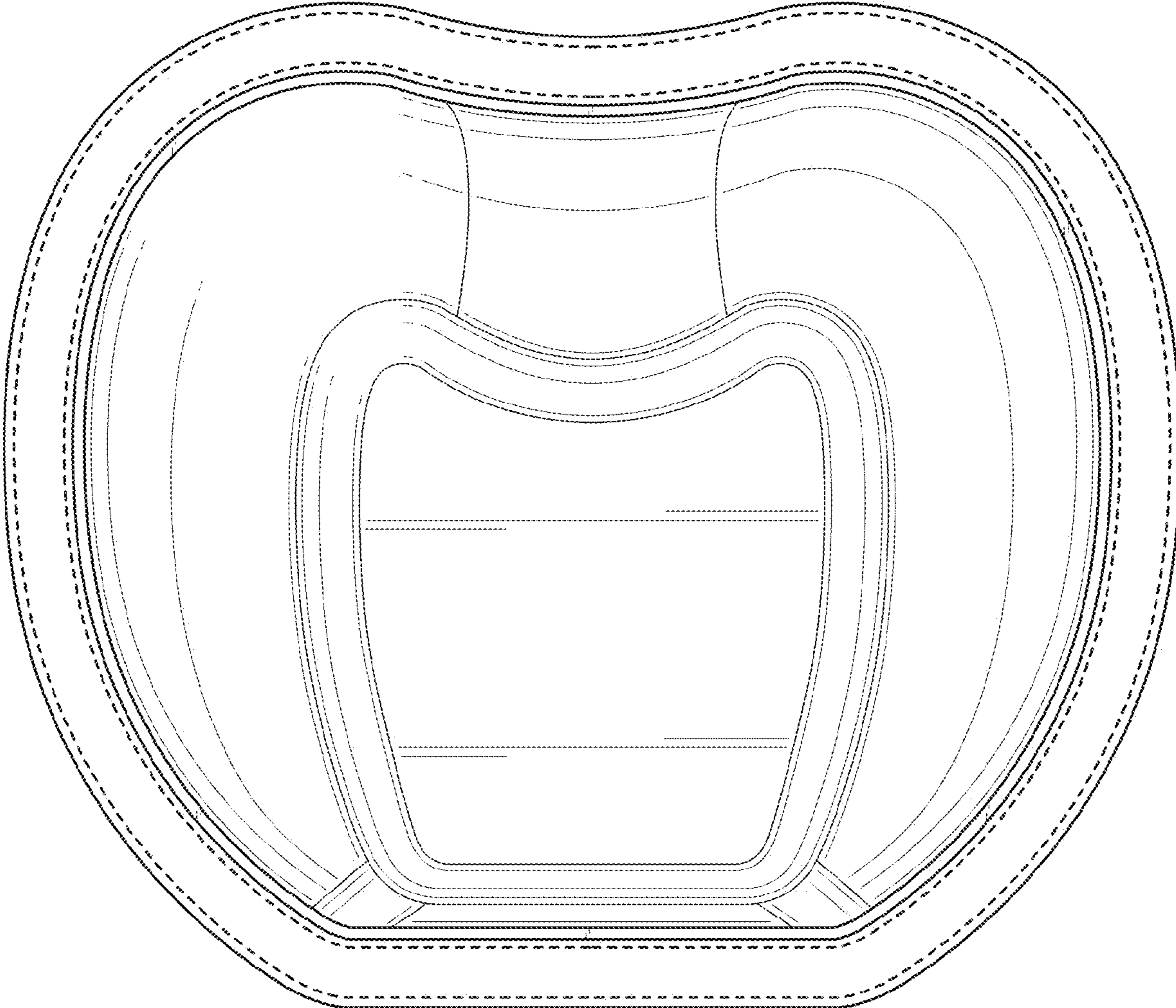


FIG. 3

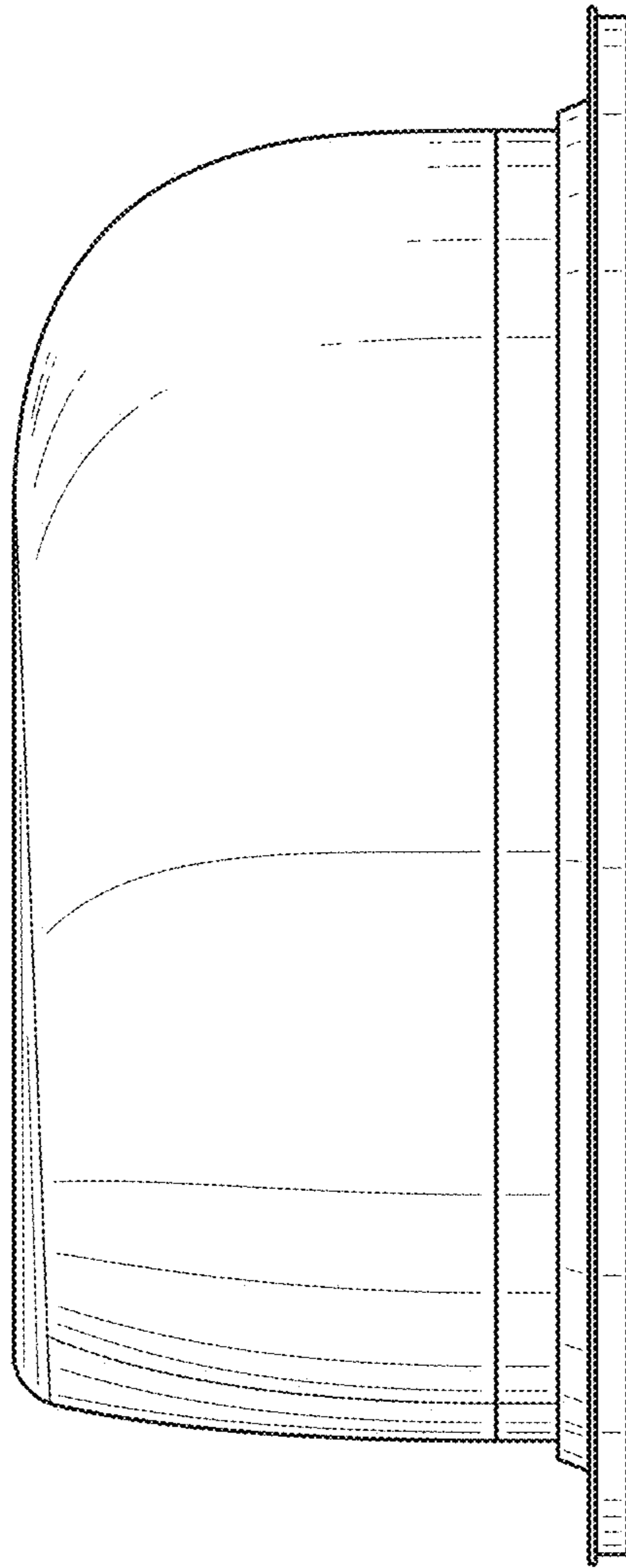


FIG. 4

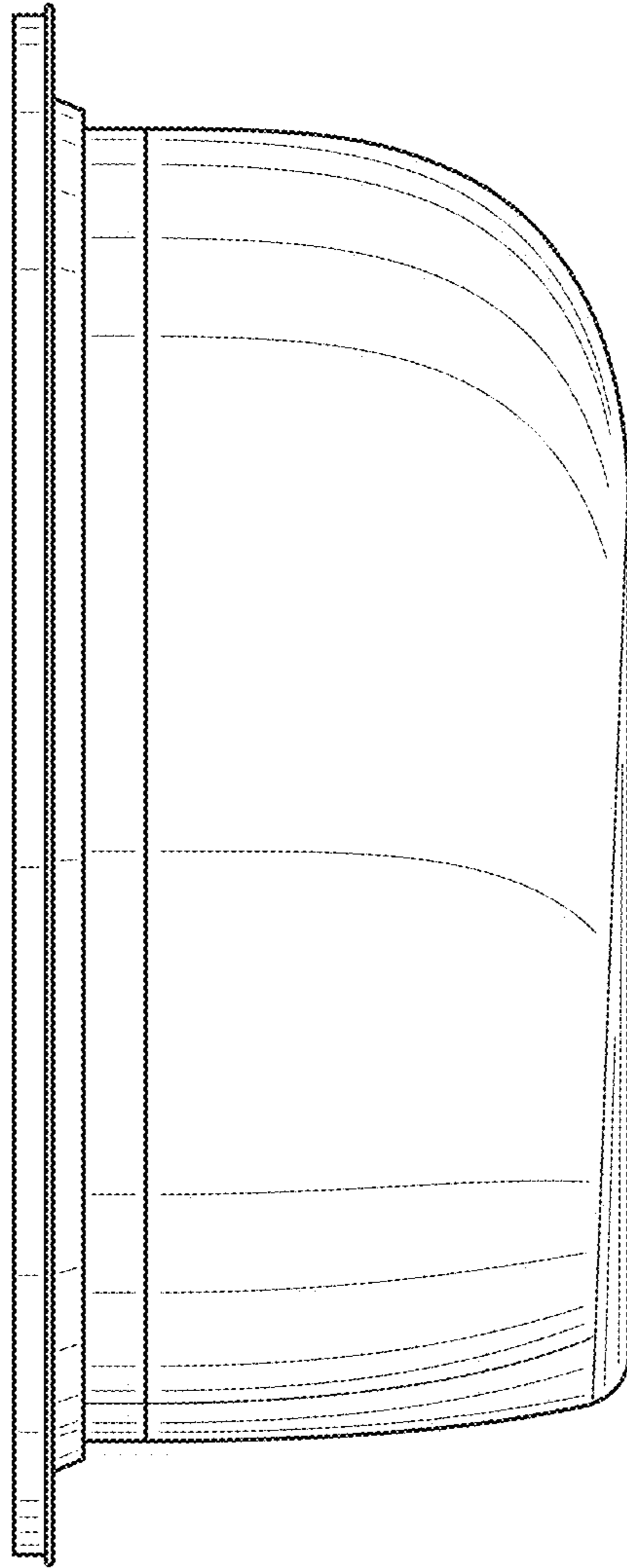


FIG. 5

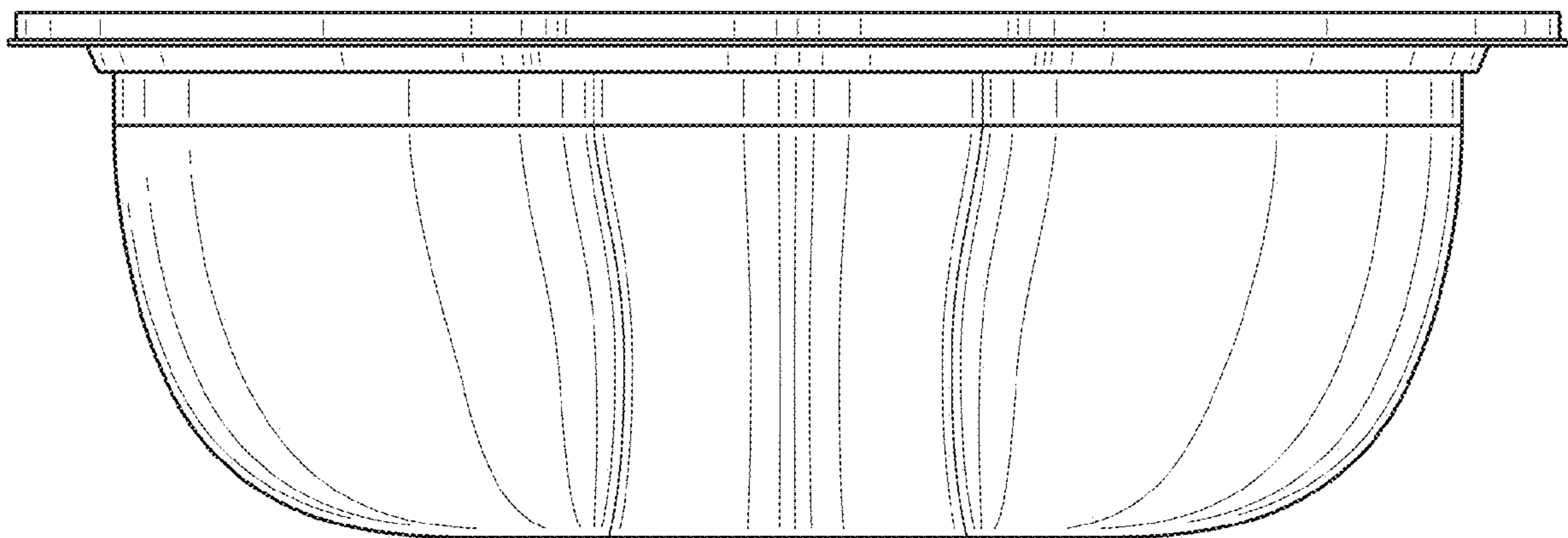


FIG. 6

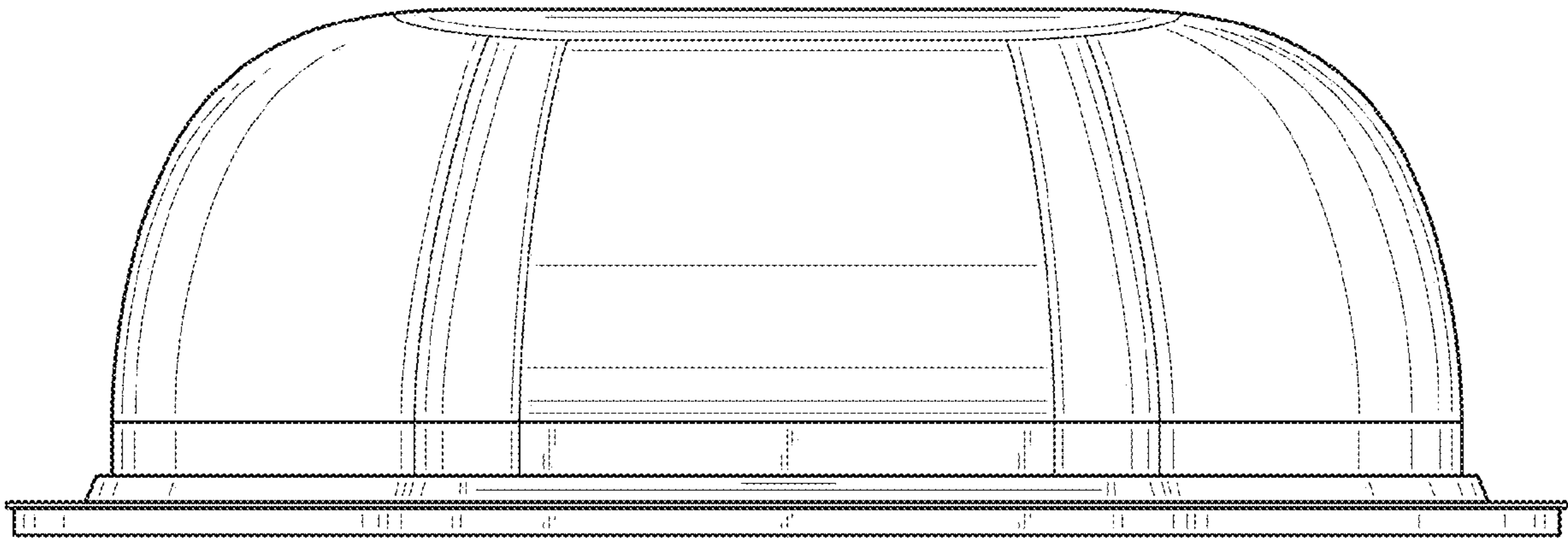


FIG. 7