



US00D912503S

(12) **United States Design Patent** (10) **Patent No.:** **US D912,503 S**
King (45) **Date of Patent:** **** Mar. 9, 2021**

- (54) **SELF-LOCKING TIE WITH ANTI-SHRINKAGE FEATURES**
- (71) Applicant: **Lock Right, LLC**, West Valley City, UT (US)
- (72) Inventor: **Creighton King**, Spanish Fork, UT (US)
- (73) Assignee: **Lock Right, LLC**, West Valley City, UT (US)
- (**) Term: **15 Years**
- (21) Appl. No.: **29/629,869**
- (22) Filed: **Dec. 15, 2017**
- (51) **LOC (13) Cl.** **08-08**
- (52) **U.S. Cl.**
USPC **D8/394**
- (58) **Field of Classification Search**
USPC D8/394-396, 499, 71-74, 380; D24/180;
D6/315, 546
CPC . H01R 9/05; A01K 87/06; A01M 1/02; B63B
21/08; B65D 63/00; A43C 1/00; A45D
1/04
See application file for complete search history.

- D495,972 S * 9/2004 Pettingill D11/220
 - D566,526 S * 4/2008 Robbins, III D8/354
 - D586,205 S * 2/2009 Robbins, III D8/380
 - 7,520,030 B2 * 4/2009 Laporte B65D 63/1063
24/16 PB
 - D619,887 S * 7/2010 Colton D8/396
 - D626,822 S * 11/2010 Simard D8/381
 - D636,084 S * 4/2011 Troester D24/180
- (Continued)

FOREIGN PATENT DOCUMENTS

- DK MR1987000078-0001 * 10/1985
- JP D1518732 * 3/2015

OTHER PUBLICATIONS

Griplock Ties, Youtube publish date Sep. 18, 2017, <https://www.youtube.com/watch?v=rQvNKxS4yCk>, site visited Aug. 19, 2019.*

Primary Examiner — John R Yeh
(74) *Attorney, Agent, or Firm* — Dentons Durham Jones Pinegar

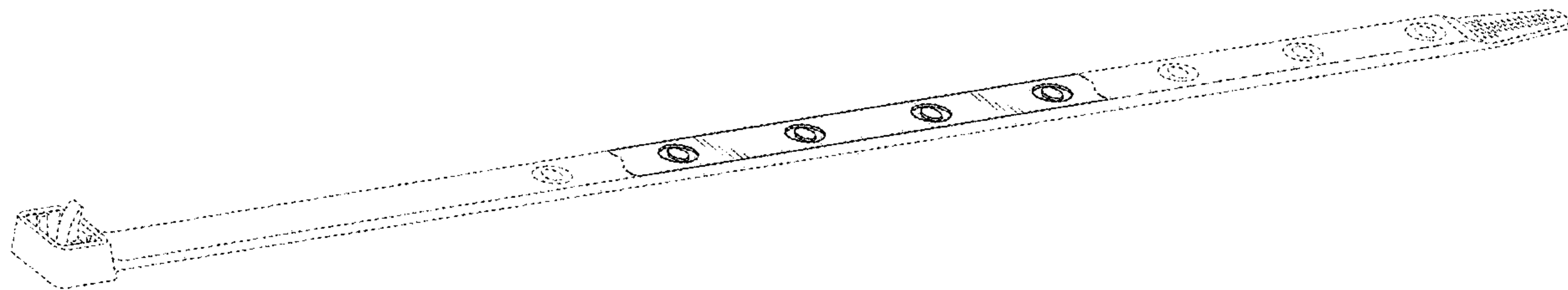
(57) **CLAIM**

The ornamental design for a self-locking tie with anti-shrinkage features, as shown and described.

DESCRIPTION

FIG. 1 is a perspective view of my new design for a self-locking tie with anti-shrinkage features;
FIG. 2 is a top view thereof;
FIG. 3 is a bottom view thereof;
FIG. 4 is a first side view thereof;
FIG. 5 is the opposite side view thereof;
FIG. 6 is an end side view thereof; and,
FIG. 7 is the opposite end view thereof.
Broken lines in the drawings depict portions of the self-locking tie with anti-shrinkage features that form no part of the claimed design.

1 Claim, 1 Drawing Sheet



(56)

References Cited

U.S. PATENT DOCUMENTS

D666,898 S * 9/2012 McMahon D8/373
D672,230 S * 12/2012 Laverack D8/396
D719,822 S * 12/2014 Van Es D8/366
D734,605 S * 7/2015 Van Der Pol D2/978
D748,971 S * 2/2016 Scott D8/396
D749,409 S * 2/2016 Martinson D8/396
D751,888 S * 3/2016 Sakamoto D8/383
D758,169 S * 6/2016 Deleu D8/349
D764,894 S * 8/2016 Pernu D8/349
D796,303 S * 9/2017 Stultz D8/354
D809,373 S * 2/2018 Lomax D8/394
10,065,777 B2 * 9/2018 King B65D 63/1072
D847,621 S * 5/2019 Kolar D8/381
10,336,519 B2 * 7/2019 King B65D 63/1072
D888,542 S * 6/2020 Wiles D8/356
10,717,572 B2 * 7/2020 Wiles B65D 63/1072
2003/0163904 A1 * 9/2003 O'Young B65D 63/1072
24/16 PB
2012/0272486 A1 * 11/2012 Murphy F16B 15/02
24/16 R
2013/0160246 A1 * 6/2013 Hajduch B65D 63/00
24/16 PB
2014/0290015 A1 * 10/2014 Barron A43C 1/00
24/712.4
2019/0216066 A1 * 7/2019 Nitta A01K 83/06

* cited by examiner

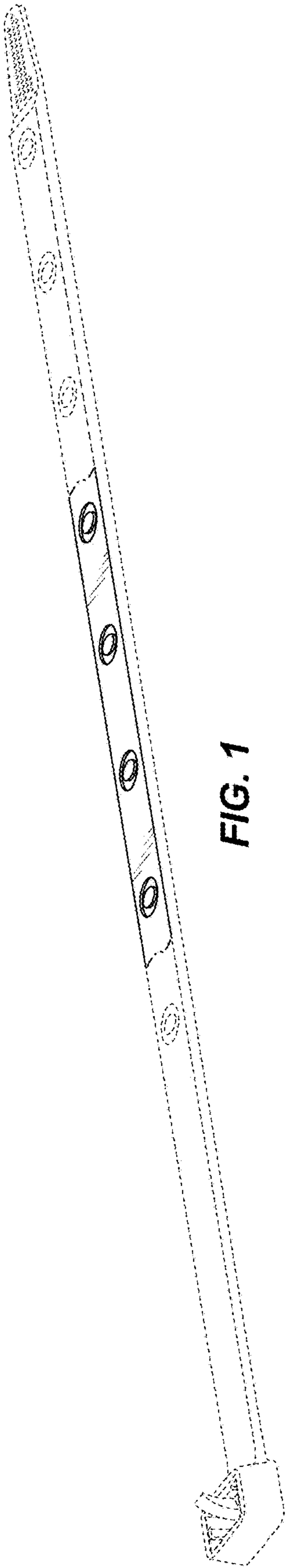


FIG. 1

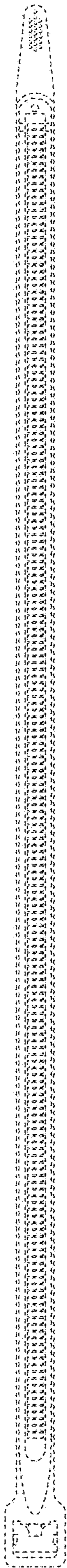


FIG. 2

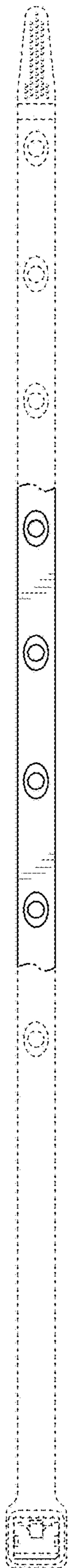


FIG. 3



FIG. 4



FIG. 5



FIG. 6

FIG. 7