



US00D912502S

(12) **United States Design Patent** (10) **Patent No.:** **US D912,502 S**
Cook (45) **Date of Patent:** **** Mar. 9, 2021**

(54) **MASONRY BOLT**
(71) Applicant: **INNOVATIVE FASTENERS PTY LTD**, Ormeau (AU)
(72) Inventor: **Danien Cook**, Ormeau (AU)
(73) Assignee: **INNOVATIVE FASTENERS PTY LTD.**, Ormeau (AU)
(**) Term: **15 Years**
(21) Appl. No.: **29/642,862**
(22) Filed: **Apr. 3, 2018**
(30) **Foreign Application Priority Data**
Oct. 6, 2017 (AU) 201716134
(51) **LOC (13) Cl.** **08-08**
(52) **U.S. Cl.**
USPC **D8/387**
(58) **Field of Classification Search**
USPC D8/384, 385, 387, 388, 391, 393
CPC .. F16B 23/00; F16B 23/0007; F16B 23/0023;
F16B 23/0015; F16B 23/003; F16B
23/0038; F16B 23/0046; F16B 23/0061;
F16B 23/0069; F16B 25/00; F16B
25/0052; F16B 25/0015; F16B 25/0026;
F16B 25/0031; F16B 25/0036; F16B
25/0078; F16B 25/0068; F16B 25/0057;
F16B 25/0063; F16B 25/0084; F16B
25/10; F16B 33/00; F16B 33/02; F16B
33/002; F16B 33/006; F16B 35/005;
F16B 35/04; F16B 35/06; F16B 35/041;
F16B 35/042; F16B 35/044; F16B
35/047; Y10S 411/91; Y10S 411/914;
Y10S 411/919
See application file for complete search history.

(56) **References Cited**
U.S. PATENT DOCUMENTS
787,578 A * 4/1905 Lambert F16B 37/14
411/429
1,204,254 A * 11/1916 Dodds F16B 35/041
411/392
1,257,537 A * 2/1918 Schumann F16B 35/06
411/396
1,301,398 A * 4/1919 Day F16B 35/06
411/396
1,501,149 A * 7/1924 Thompson F16B 33/002
411/133
3,078,334 A * 2/1963 Forman F16B 25/0021
174/138 D
4,269,248 A * 5/1981 MacLean F16B 39/282
411/186
4,655,661 A * 4/1987 Brandt F16B 25/0031
411/387.1

(Continued)

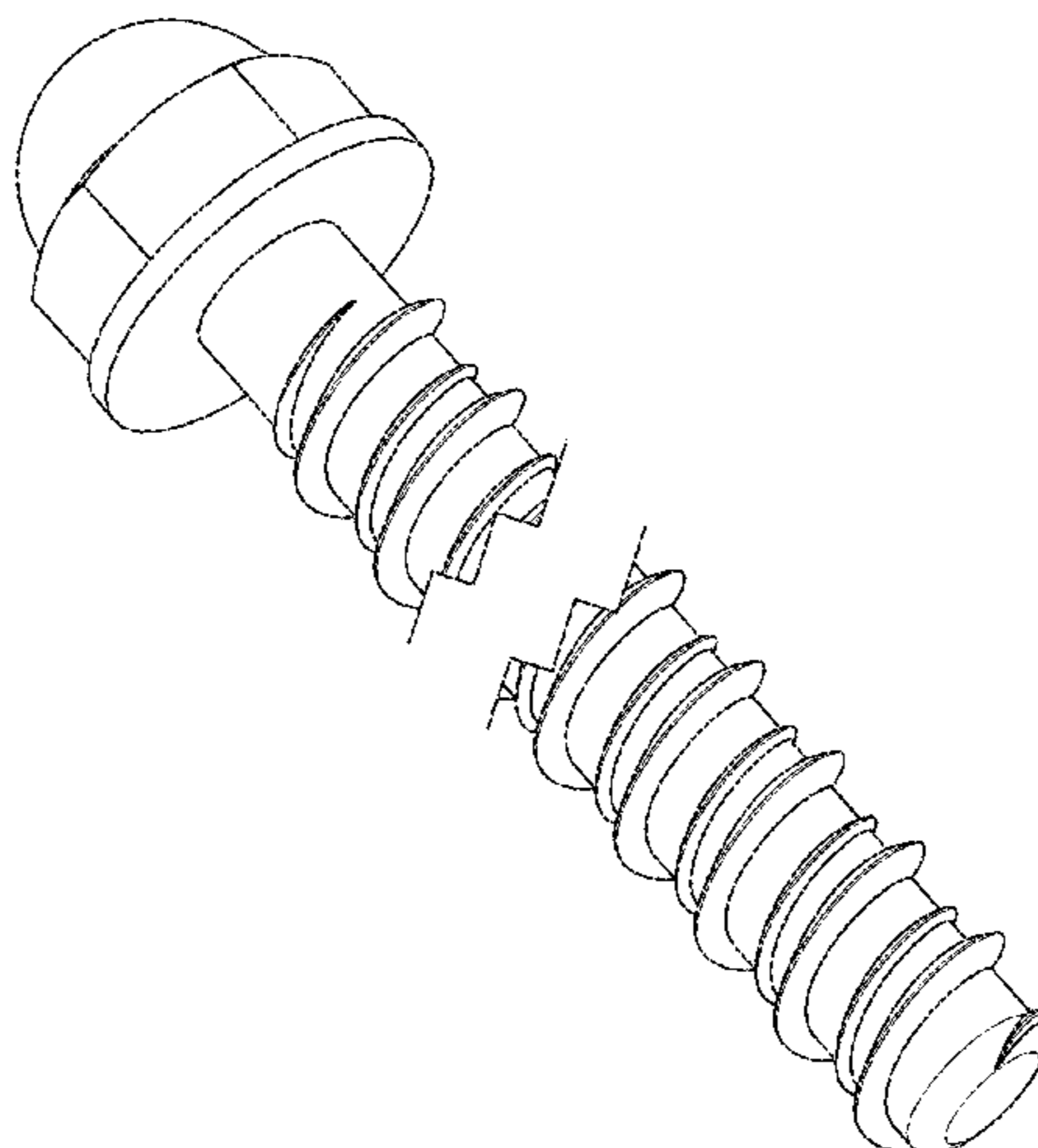
Primary Examiner — Sandra Snapp
Assistant Examiner — Ieisha N Price
(74) *Attorney, Agent, or Firm* — Stephen T. Olson;
Harness, Dickey & Pierce, P.L.C.

(57) **CLAIM**
The ornamental design for a masonry bolt, as shown and described.

DESCRIPTION

FIG. 1 is a perspective view of a masonry bolt in accordance with my design;
FIG. 2 is a front side view thereof;
FIG. 3 is a rear side view thereof;
FIG. 4 is a right side view thereof;
FIG. 5 is a left side view thereof; and,
FIG. 6 is a top view thereof.
It will be understood that the dual threads of the masonry bolt uniformly spiral along the length of the shaft.

(Continued)



The masonry bolt is shown with a symbolic break in its length. The appearance of any portion of the article between the break lines forms no part of the claimed design.

1 Claim, 6 Drawing Sheets

(56)

References Cited

U.S. PATENT DOCUMENTS

4,744,119 A * 5/1988 Omori F16B 37/14
470/24
4,907,929 A * 3/1990 Johnston, Jr. F16B 37/14
411/377
4,943,197 A * 7/1990 Baritz B21G 5/00
24/113 MP
D317,862 S * 7/1991 Yamamoto D8/387
5,199,837 A * 4/1993 Goss B29C 65/645
411/107
5,810,531 A * 9/1998 Tershay A63C 17/0006
411/410
5,857,818 A * 1/1999 Bias, Sr. F16B 37/14
411/373
D420,313 S * 2/2000 Sample D12/213
6,238,158 B1 * 5/2001 Clements F16B 37/14
411/372.6
D465,148 S * 11/2002 Monson D8/387
D614,942 S * 5/2010 Gaudron D8/387
7,735,235 B2 * 6/2010 Waddell B63B 17/02
114/361
D637,071 S * 5/2011 Gaudron D8/387

7,938,608 B1 * 5/2011 Jordan F16B 43/00
411/183
D662,807 S * 7/2012 Waddell D8/382
D684,038 S * 6/2013 Lin D8/387
9,771,966 B2 * 9/2017 Hill F16B 35/00
D818,807 S * 5/2018 Gomez Garcia D8/387
D818,812 S * 5/2018 Schrawder D8/397
2002/0054809 A1 * 5/2002 Fischer F16B 31/02
411/431
2003/0053883 A1 * 3/2003 Forster F16B 35/06
411/161
2004/0136803 A1 * 7/2004 Grosch F16B 11/006
411/82
2006/0171794 A1 * 8/2006 Ordonio, Jr. F16B 37/14
411/369
2008/0286071 A1 * 11/2008 Potter F16B 1/0071
411/372.6
2009/0003970 A1 * 1/2009 Griffith F16B 25/0026
411/485
2009/0113674 A1 * 5/2009 Waddell B63B 17/02
24/114.12
2011/0014007 A1 * 1/2011 Gaudron F16B 25/00
411/412
2011/0076112 A1 * 3/2011 Huang F16B 25/00
411/412
2011/0176888 A1 * 7/2011 Gaudron F16B 25/00
411/394
2016/0166291 A1 * 6/2016 Goel A61B 17/68
606/246
2017/0007306 A1 * 1/2017 Werner A61B 17/7098
2018/0209465 A1 * 7/2018 Lin F16B 25/00
2019/0309784 A1 * 10/2019 Lajewardi F16B 25/0026

* cited by examiner

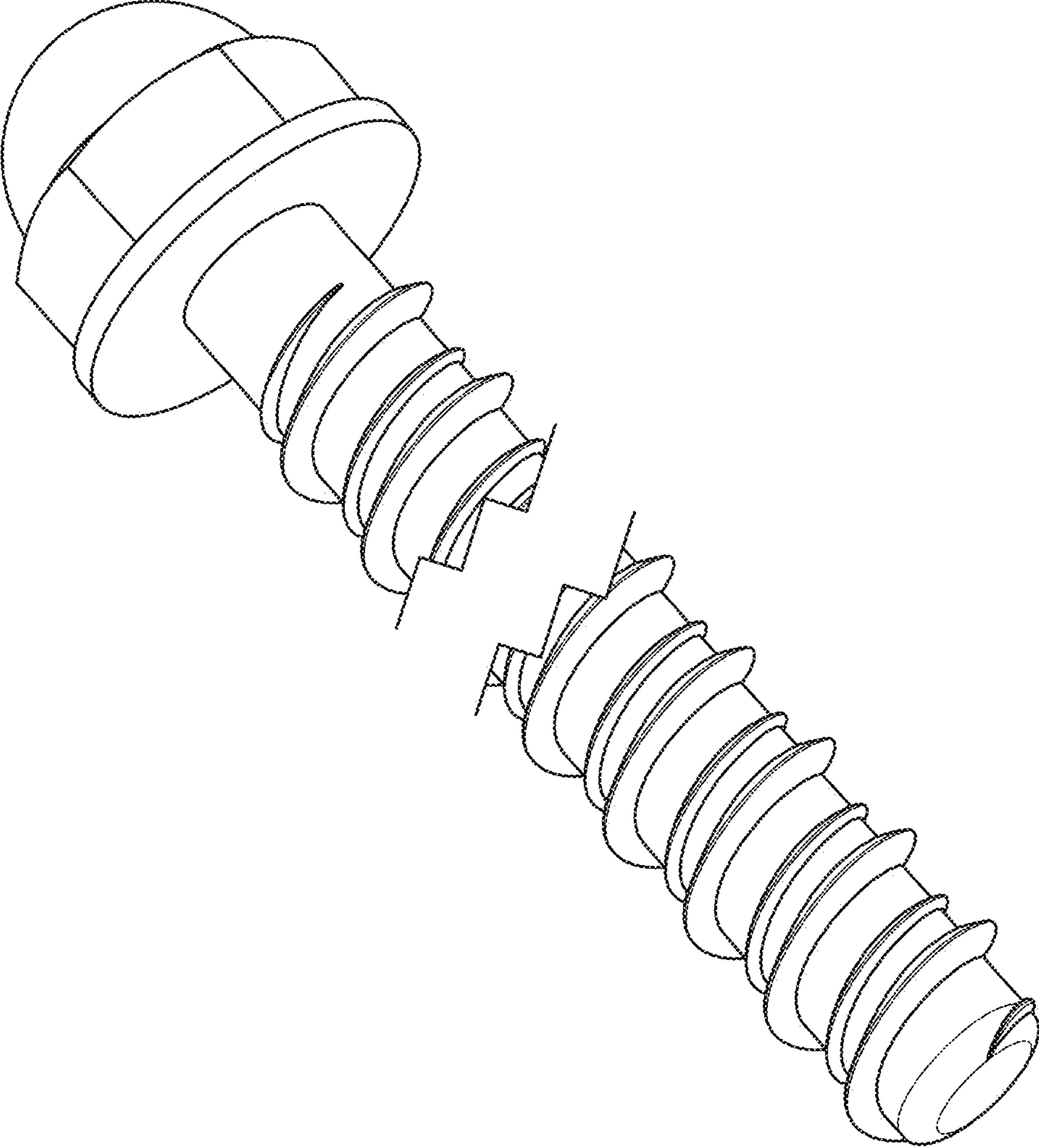


FIG. 1

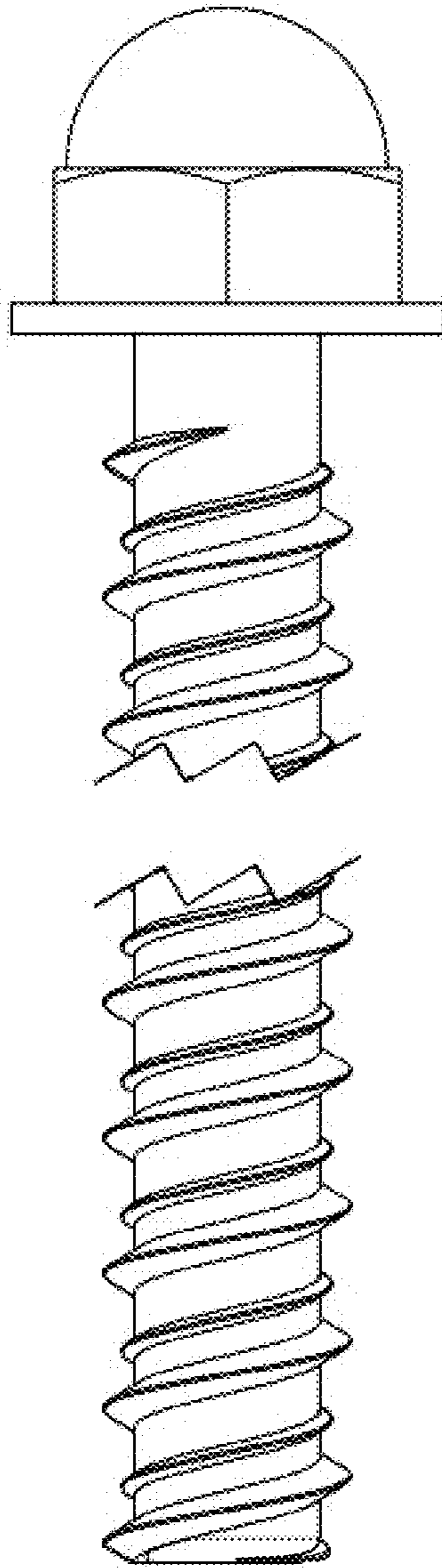


FIG. 2

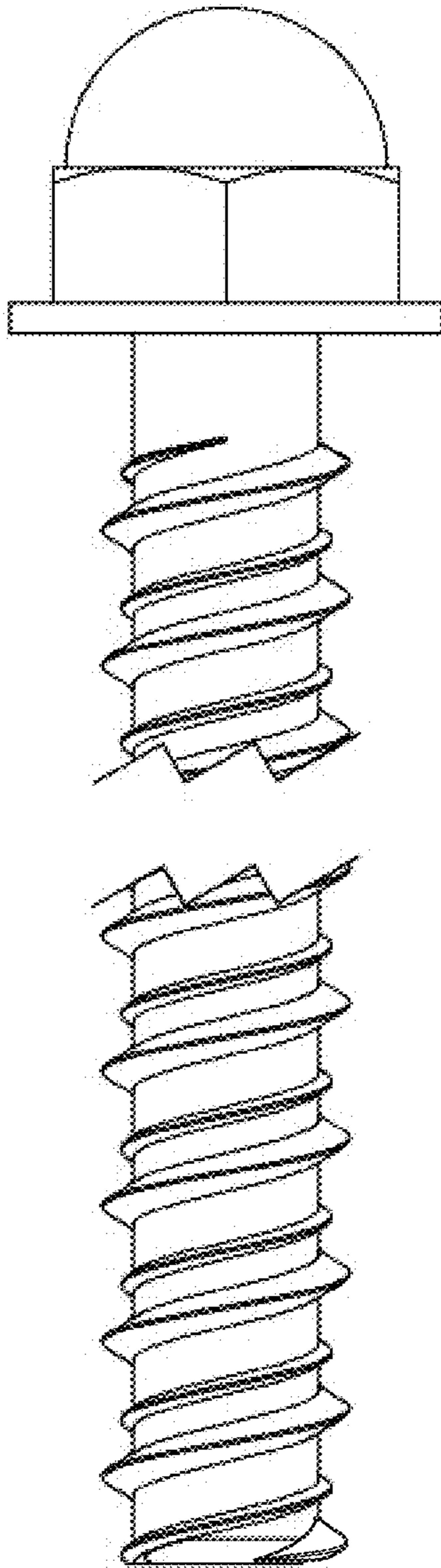


FIG. 3

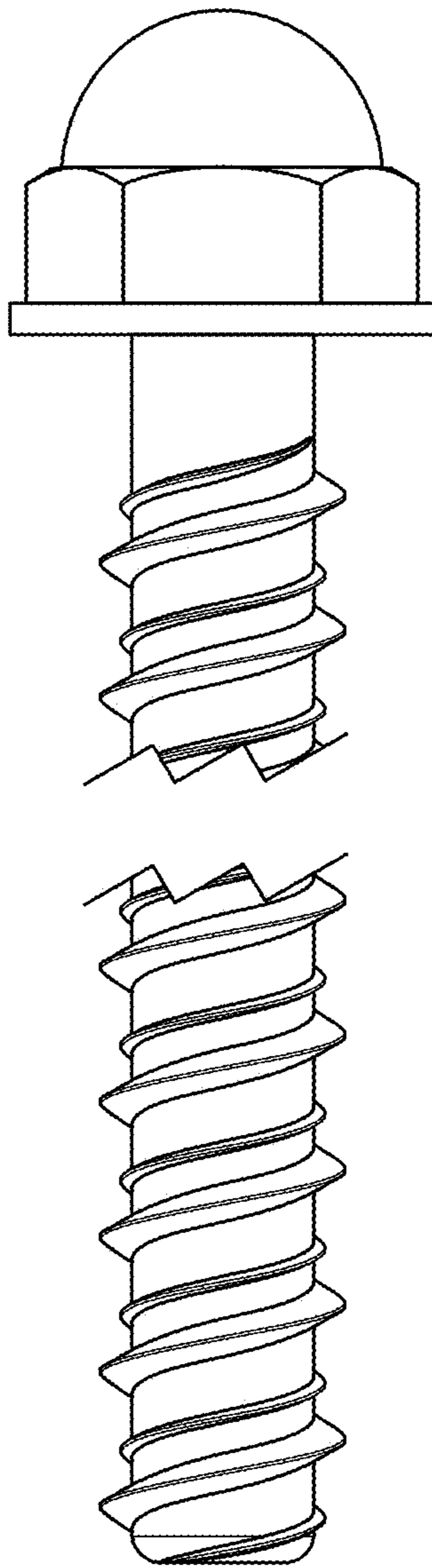


FIG. 4

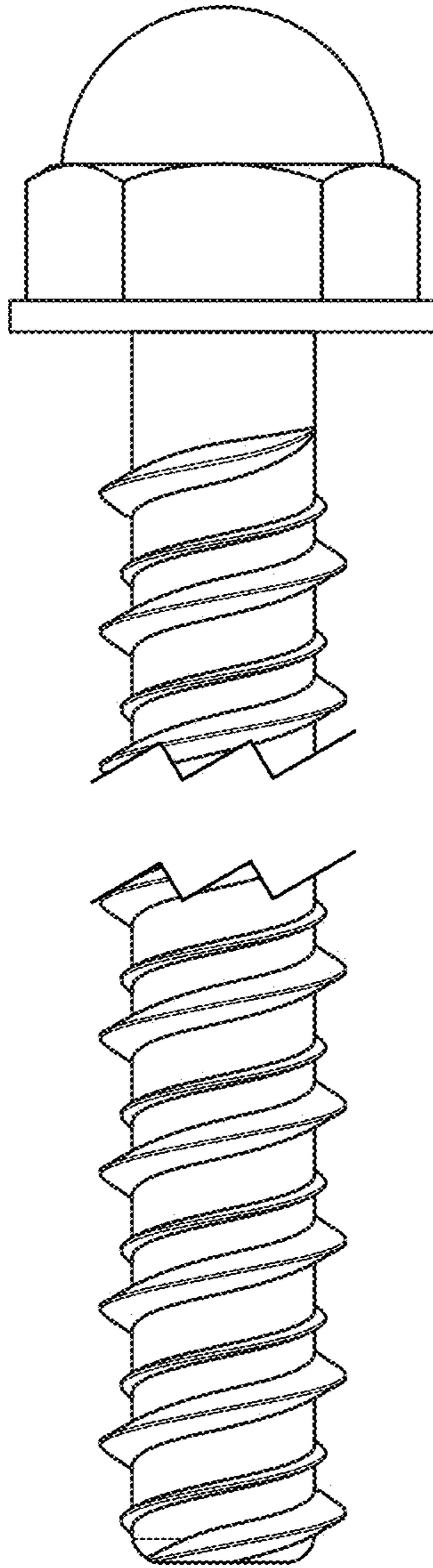


FIG. 5

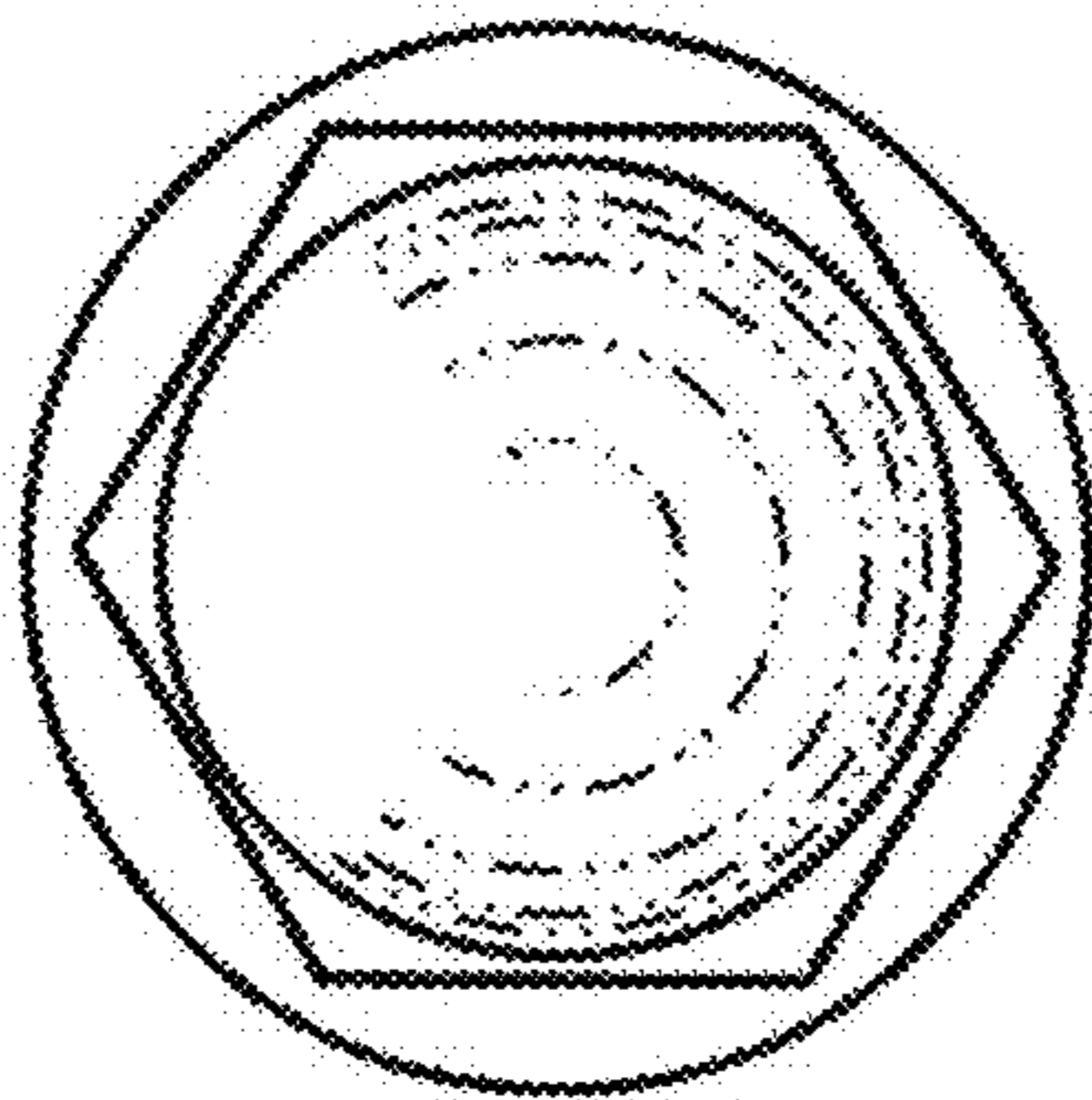


FIG. 6