



US00D912500S

(12) **United States Design Patent** (10) **Patent No.:** **US D912,500 S**  
**Wang et al.** (45) **Date of Patent:** **\*\* Mar. 9, 2021**

(54) **FASTENING DEVICE** 8,893,369 B2 \* 11/2014 Wang ..... H05K 3/3447  
29/453  
(71) Applicant: **FIVETECH TECHNOLOGY INC.,** D779,046 S \* 2/2017 Tansey, Jr. .... D23/262  
New Taipei (TW) D805,367 S \* 12/2017 Winslow ..... D8/331  
D835,692 S \* 12/2018 Susin ..... D15/144  
(72) Inventors: **Ting-Jui Wang,** New Taipei (TW); D836,976 S \* 1/2019 Reese ..... D7/396.2  
**Chao-Sheng Lin,** New Taipei (TW) D864,391 S \* 10/2019 Sweeney ..... D24/146  
D898,556 S \* 10/2020 Winekoff ..... D8/382  
(73) Assignee: **FIVETECH TECHNOLOGY INC.,** 2012/0099943 A1 \* 4/2012 Chiu ..... F16B 5/0208  
New Taipei (TW) 411/347  
2015/0260216 A1 \* 9/2015 Tseng ..... F16B 41/002  
411/103  
2015/0292538 A1 \* 10/2015 He ..... F16B 5/0208  
411/166

(\*\*) Term: **15 Years**

(21) Appl. No.: **29/699,032** \* cited by examiner

(22) Filed: **Jul. 23, 2019**

*Primary Examiner* — Garth Rademaker  
*Assistant Examiner* — Benjamin M Weeks  
(74) *Attorney, Agent, or Firm* — Schmeiser, Olsen & Watts, LLP

(30) **Foreign Application Priority Data**  
Jan. 31, 2019 (TW) ..... 108300721

(51) **LOC (13) Cl.** ..... **08-08**

(52) **U.S. Cl.**  
USPC ..... **D8/382**

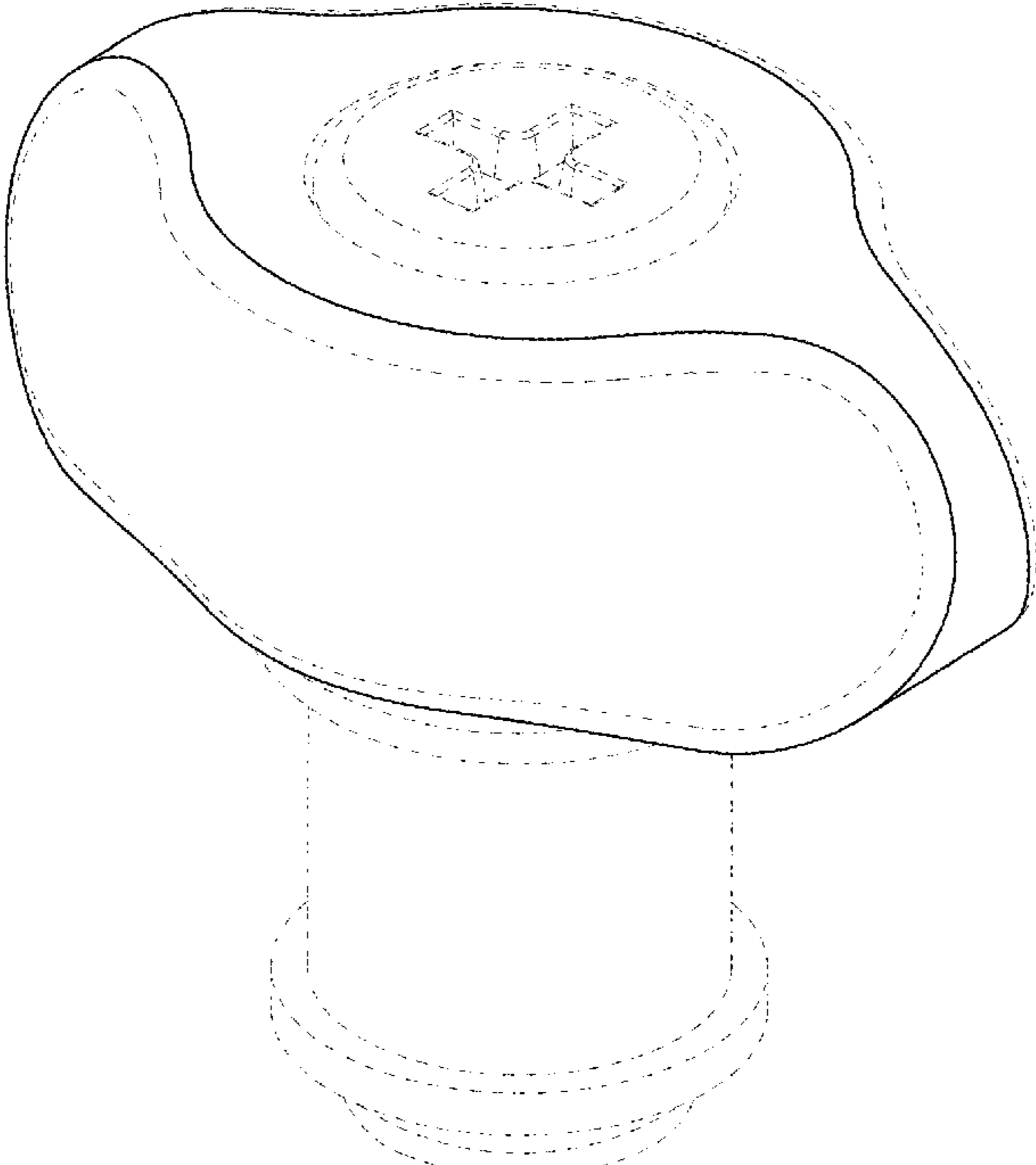
(58) **Field of Classification Search**  
USPC ..... D8/349, 354, 355, 330, 331, 333, 380,  
D8/387, 382, 395, 499, 388, 369, 397;  
D6/672, 684, 680, 683.1, 703.5  
CPC .... F16B 5/00; F16B 5/02; F16B 12/50; F16B  
41/002; F16B 5/0208  
See application file for complete search history.

(56) **References Cited**  
U.S. PATENT DOCUMENTS  
D77,446 S \* 1/1929 Wise ..... D8/333  
D254,121 S \* 2/1980 Padgett, Jr. .... D12/162  
D354,674 S \* 1/1995 Jans ..... D8/354

(57) **CLAIM**  
The ornamental design for a fastening device, as shown and described.

**DESCRIPTION**  
FIG. 1 is a perspective view of a fastening device showing my new design;  
FIG. 2 is a front elevation view thereof;  
FIG. 3 is a rear elevation view thereof;  
FIG. 4 is a left side elevation view thereof;  
FIG. 5 is a right side elevation view thereof;  
FIG. 6 is a top plan view thereof; and,  
FIG. 7 is a bottom plan view thereof.  
The broken lines shown represent portions of the fastening device that form no part of the claimed design.

**1 Claim, 7 Drawing Sheets**



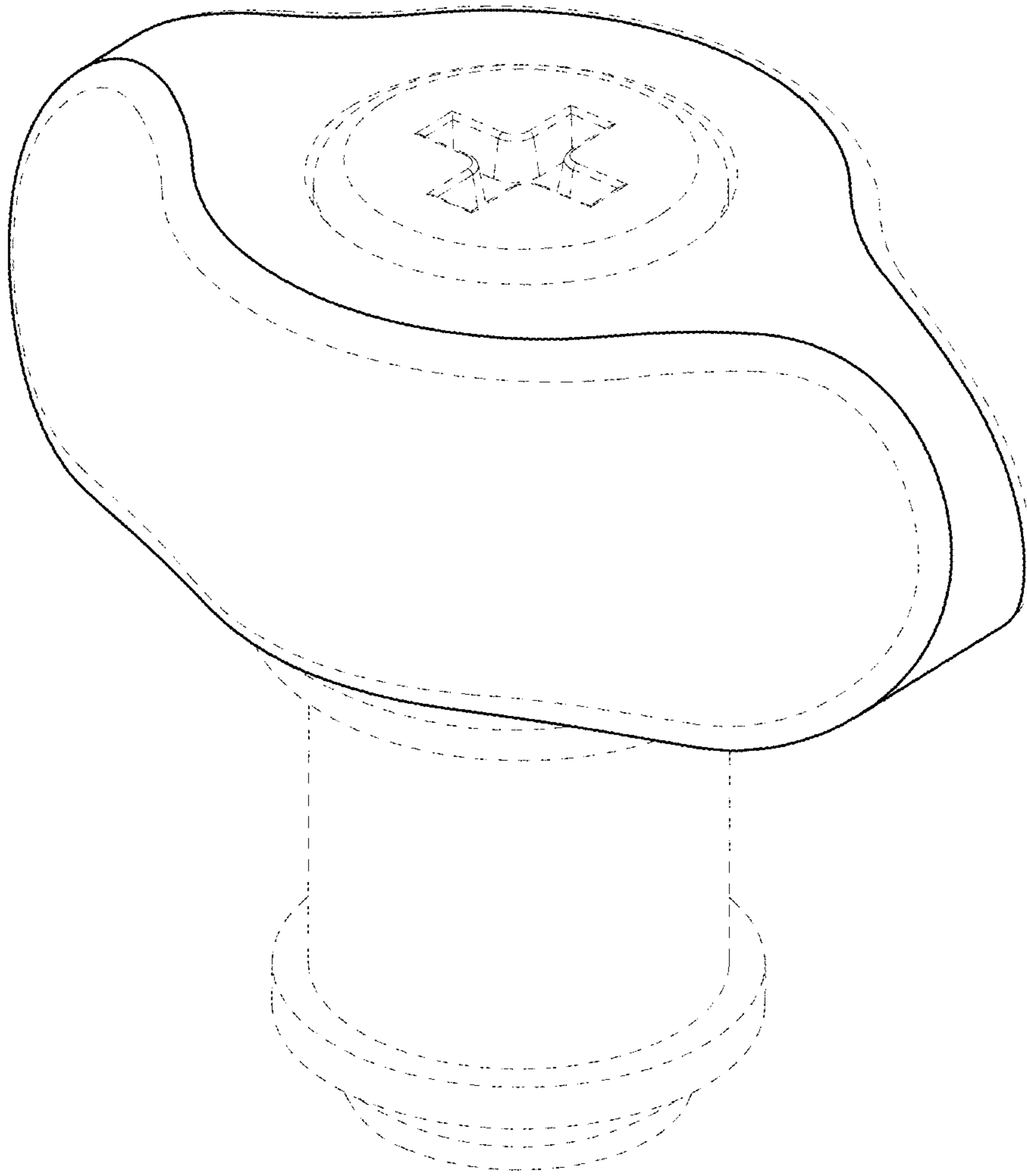


FIG. 1

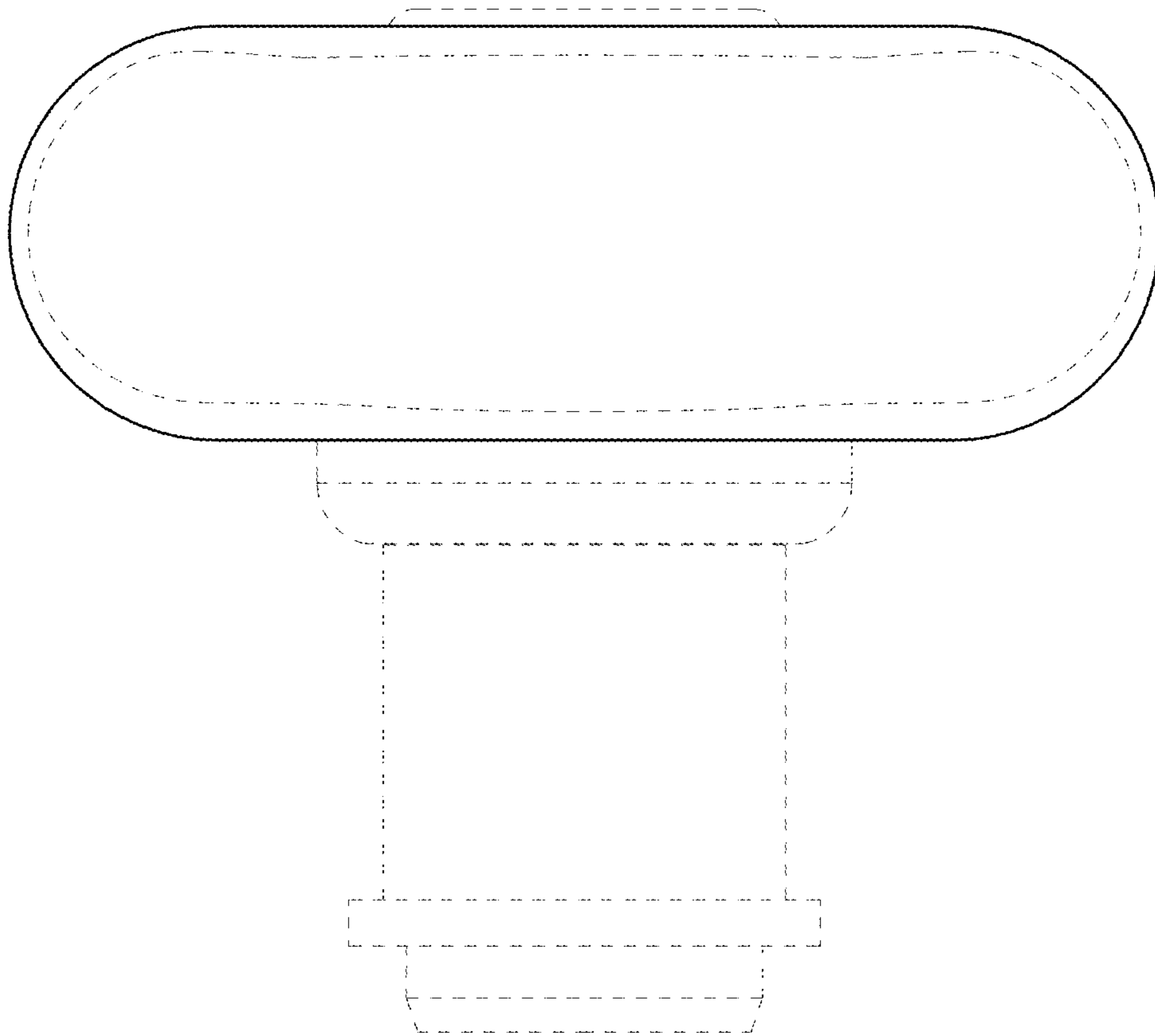


FIG. 2

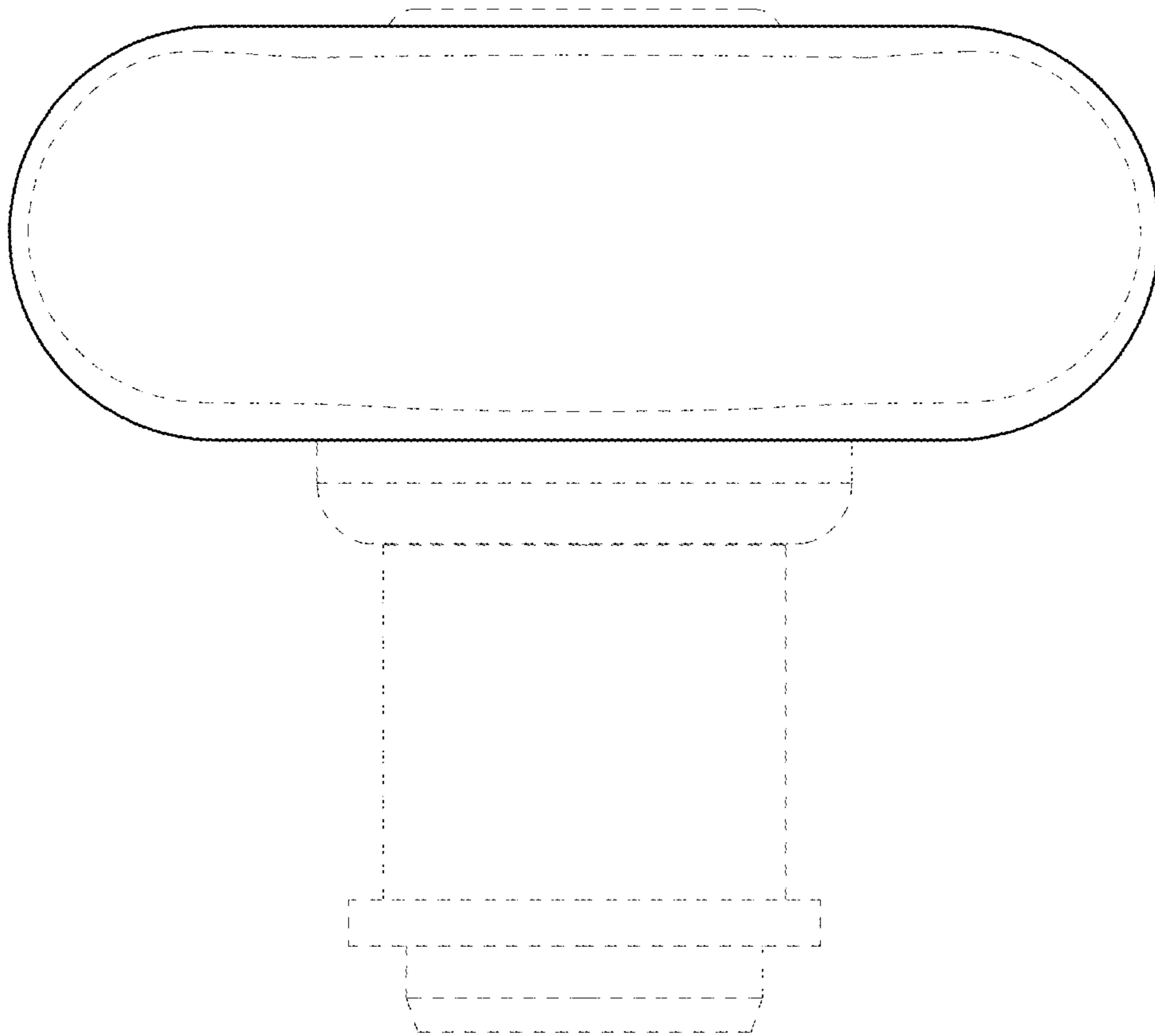


FIG. 3

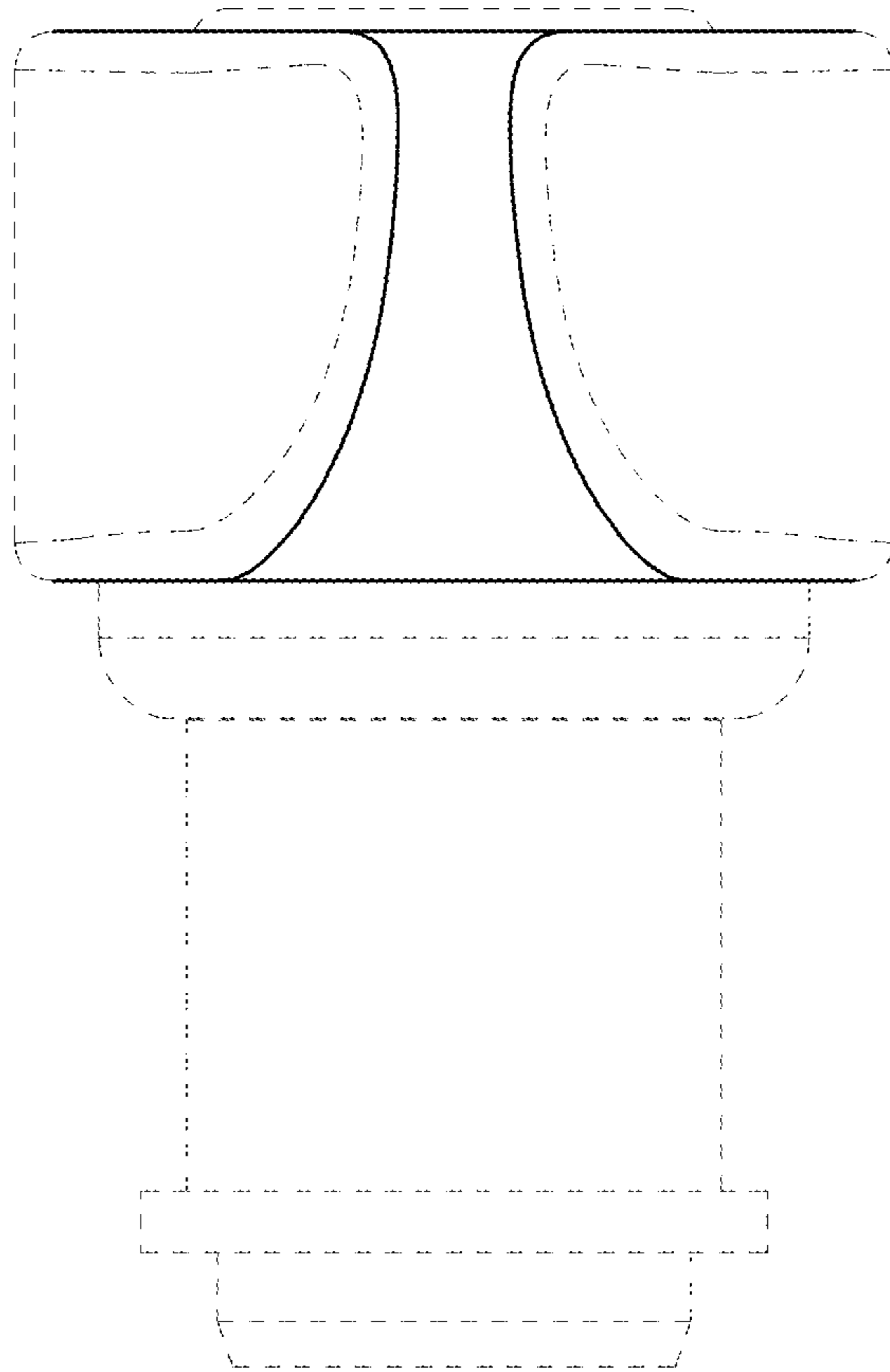


FIG. 4

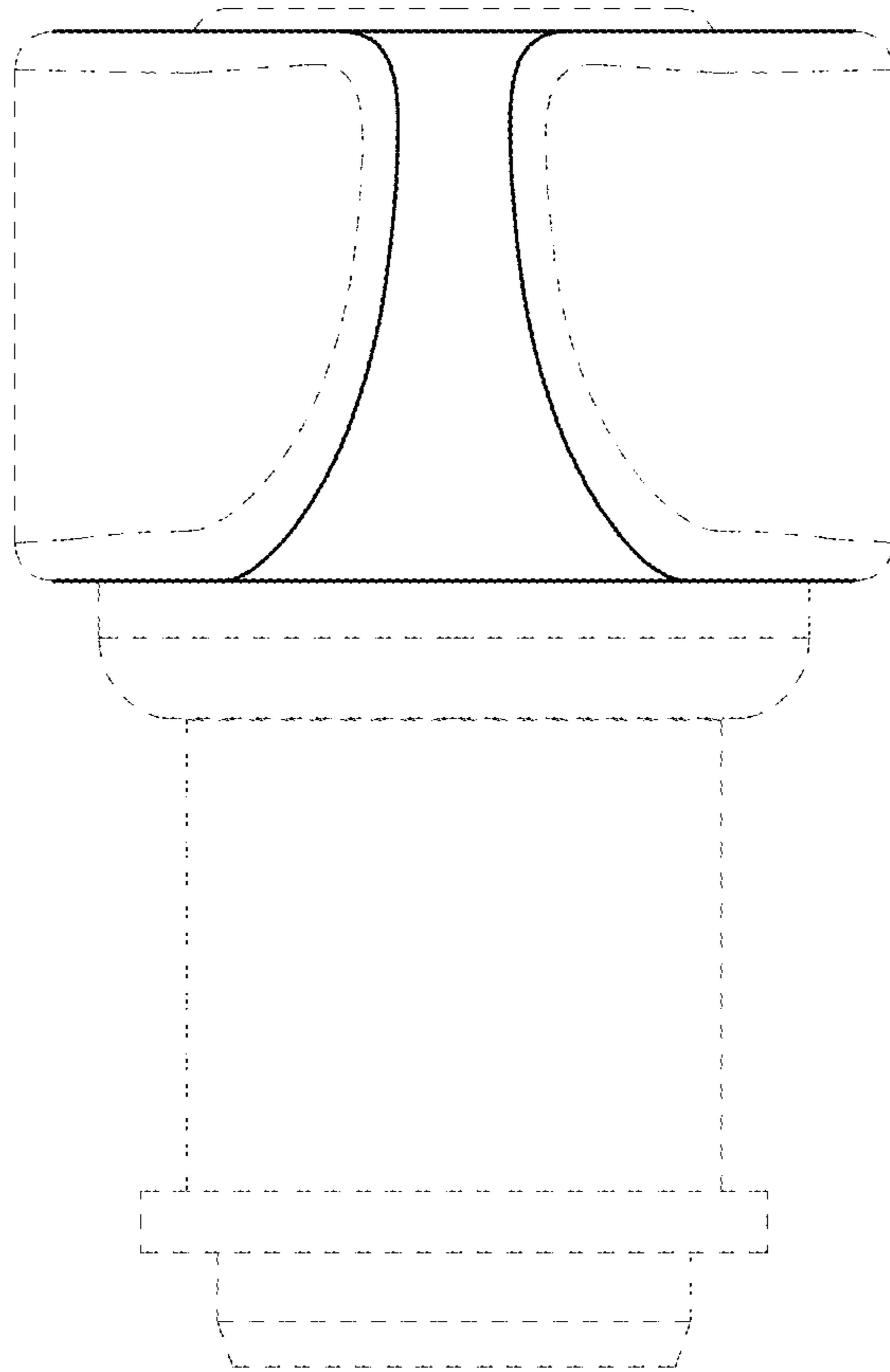


FIG. 5

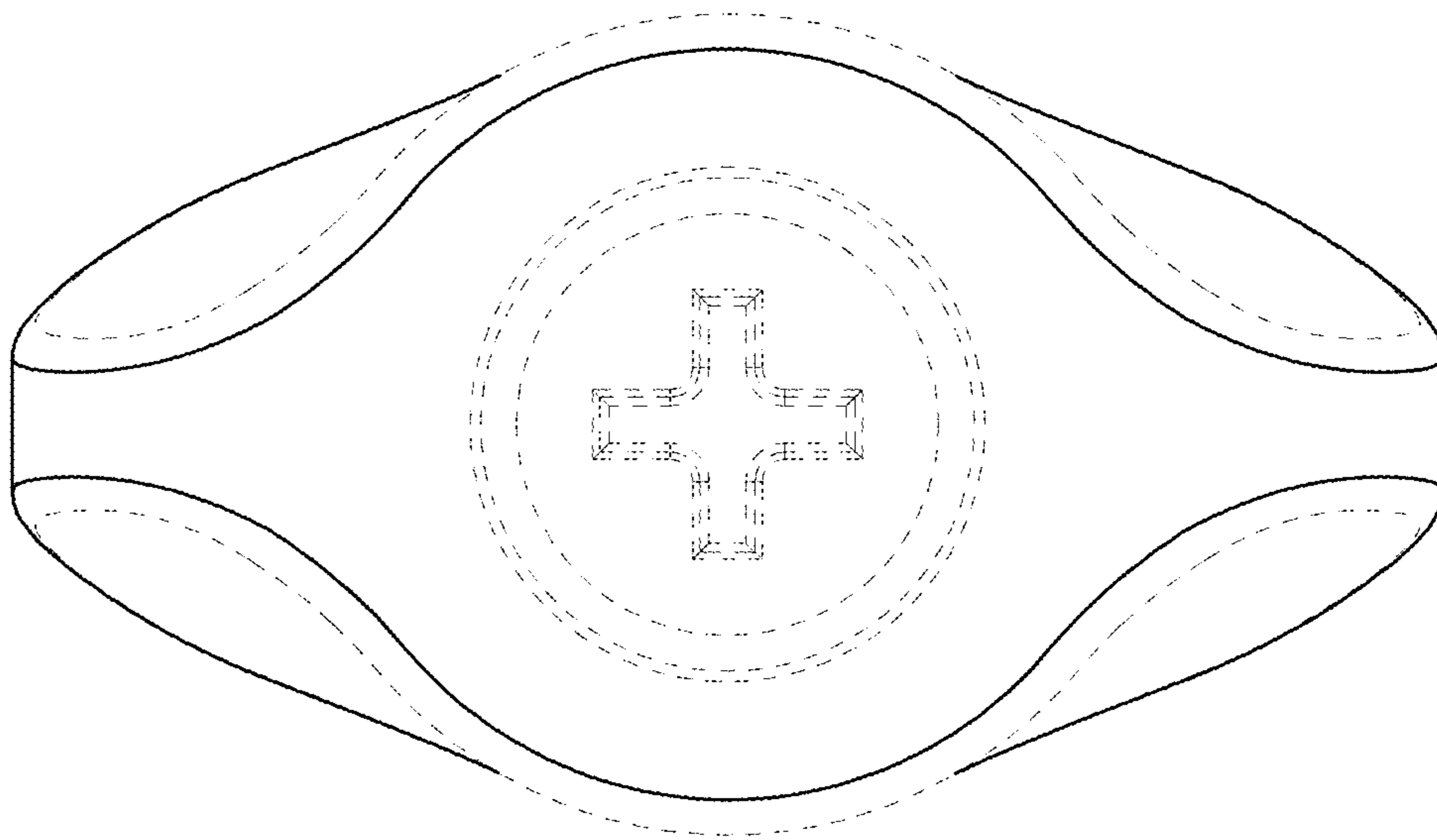


FIG. 6

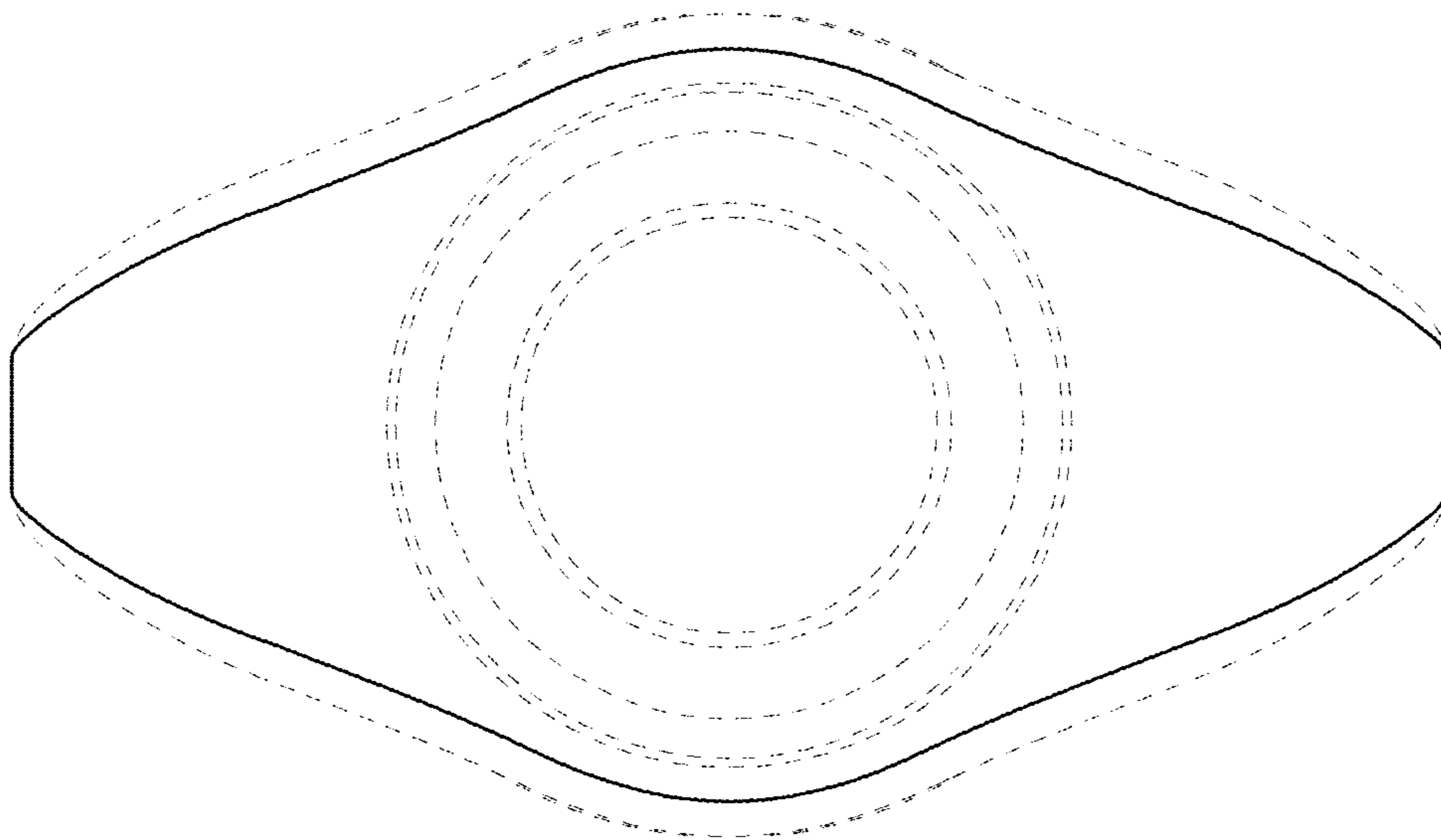


FIG. 7