

US00D912498S

(12) **United States Design Patent** (10) **Patent No.:** **US D912,498 S**
Liu (45) **Date of Patent:** **** Mar. 9, 2021**

(54) **CORD ORGANIZER**
(71) Applicant: **QINGDAO WANGUOJINJI E-COMMERCE CO., LTD**, Qingdao (CN)
(72) Inventor: **Suhua Liu**, Qingdao (CN)
(73) Assignee: **QINGDAO WANGUOJINJI E-COMMERCE CO., LTD**, Qingdao (CN)
(**) Term: **15 Years**
(21) Appl. No.: **29/748,038**
(22) Filed: **Aug. 27, 2020**
(51) **LOC (13) Cl.** **09-06**
(52) **U.S. Cl.**
USPC **D8/356**
(58) **Field of Classification Search**
USPC D8/354, 349, 367
CPC B25C 11/00; H05K 7/18; B65D 63/1027; B65D 63/1018; E04G 3/26; E04B 1/41; H02G 3/30; E05D 5/12; E05D 11/082; A45F 5/021
See application file for complete search history.

D349,040 S * 7/1994 Moliner D8/367
D349,447 S * 8/1994 Daniller D8/367
D394,632 S * 5/1998 Miller D12/223
D398,283 S * 9/1998 Miller D12/223
D491,054 S * 6/2004 Caterinacci, Jr. D8/381
D506,118 S * 6/2005 Rau D8/89
D542,631 S * 5/2007 Munson D8/373
D571,640 S * 6/2008 Misch D8/354
D599,196 S * 9/2009 Ruffin
7,825,337 B2 * 11/2010 Young, IV H02G 3/30
174/72 A
D659,513 S * 5/2012 Lin D8/349
D686,486 S * 7/2013 Densmore D8/349
D704,433 S * 5/2014 Heap D3/213
D712,295 S * 9/2014 Ennis D11/3
8,985,527 B2 * 3/2015 Lin H05K 7/18
248/49
D729,043 S * 5/2015 Poppell D8/354
D743,779 S * 11/2015 Cohen D8/372
D745,346 S * 12/2015 Birgl D8/14
D760,578 S * 7/2016 Sigona D8/349
D764,259 S * 8/2016 Schoening D8/356
D777,990 S * 1/2017 Mathews, Jr. D29/124
9,551,159 B2 * 1/2017 Hutchison E04G 3/26
D801,793 S * 11/2017 Johnson D8/381

(Continued)

Primary Examiner — Cynthia R Underwood

(57) **CLAIM**

The ornamental design for a cord organizer, as shown and described.

DESCRIPTION

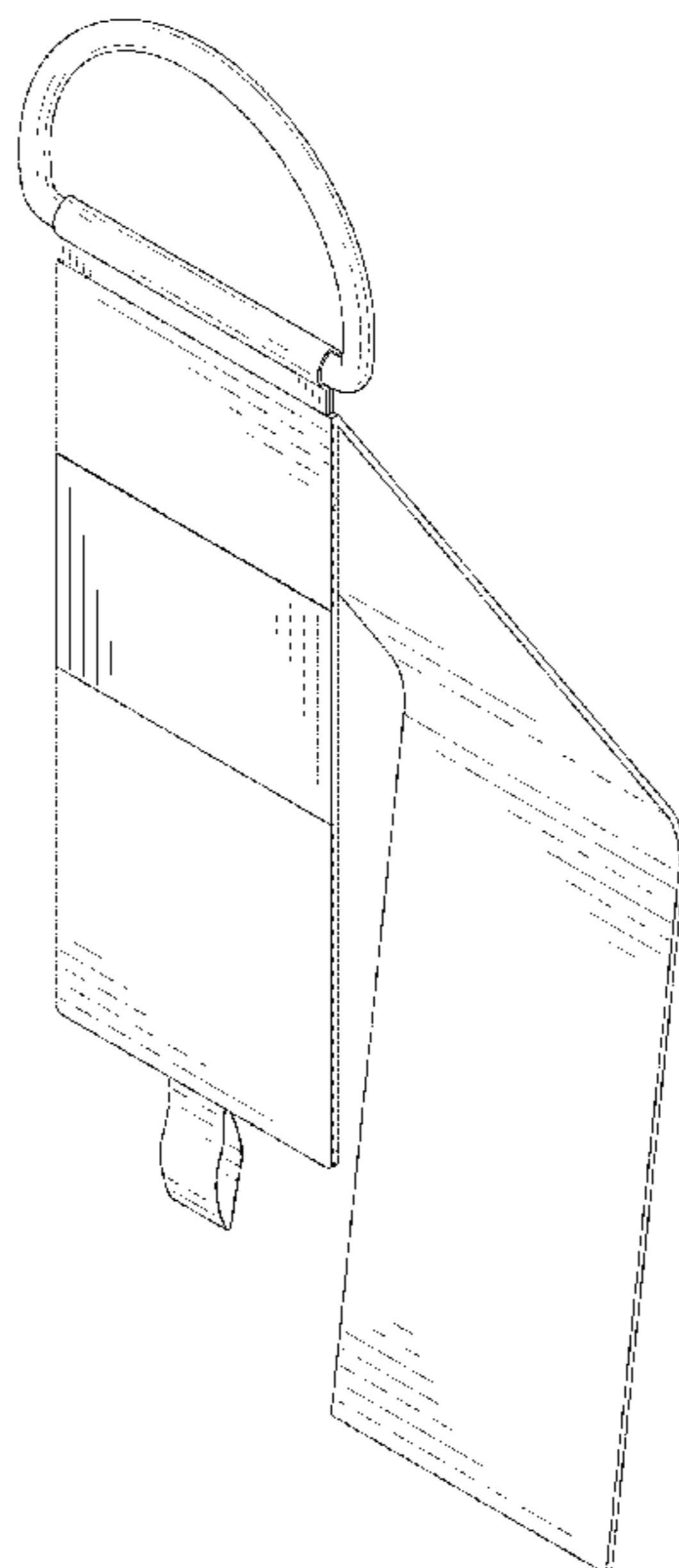
FIG. 1 is a perspective view of a cord organizer showing my new design;
FIG. 2 is a front elevational view thereof;
FIG. 3 is a rear elevational view thereof;
FIG. 4 is a left side elevational view thereof;
FIG. 5 is a right side elevational view thereof;
FIG. 6 is a top plan view thereof; and,
FIG. 7 is a bottom plan view thereof.

1 Claim, 7 Drawing Sheets

(56) **References Cited**

U.S. PATENT DOCUMENTS

3,359,701 A * 12/1967 Schneller E04B 1/41
52/712
D245,312 S * 8/1977 Rasmussen D8/356
D255,323 S * 6/1980 Palmroth D8/373
D265,285 S * 7/1982 Englert, Jr. D8/354
D274,803 S * 7/1984 Hughes D12/126
D313,338 S * 1/1991 Rasmussen D8/356
D348,213 S * 6/1994 Moliner D8/367
5,322,264 A * 6/1994 Giambro B25C 11/00
254/25



(56)

References Cited

U.S. PATENT DOCUMENTS

D811,202	S *	2/2018	Goodman	D8/370
D817,155	S	5/2018	Li		
D818,517	S *	5/2018	Szarawarski	D16/242
D826,696	S *	8/2018	Yuda	D8/356
D826,697	S *	8/2018	Yuda	D8/356
D826,698	S *	8/2018	Nelson	D8/356
D831,031	S *	10/2018	Burch, V	D14/453
D845,653	S *	4/2019	Wu	D6/320
D856,117	S *	8/2019	Homza	D8/349
D868,844	S *	12/2019	Descoteaux	D15/17
D877,603	S *	3/2020	Barker	D8/394
D885,870	S *	6/2020	Reilly	D8/356
D885,873	S *	6/2020	Deng	D8/367
D892,972	S *	8/2020	Mullen	D23/206
D902,703	S *	11/2020	Welsh	D8/367
D907,470	S *	1/2021	Ruddick	D8/356
2005/0251967	A1 *	11/2005	McNeill	B65D 63/1027 24/16 PB
2009/0106948	A1 *	4/2009	Lopez	B65D 63/1018 24/16 PB
2018/0070713	A1 *	3/2018	Moreau	A45F 5/021

* cited by examiner

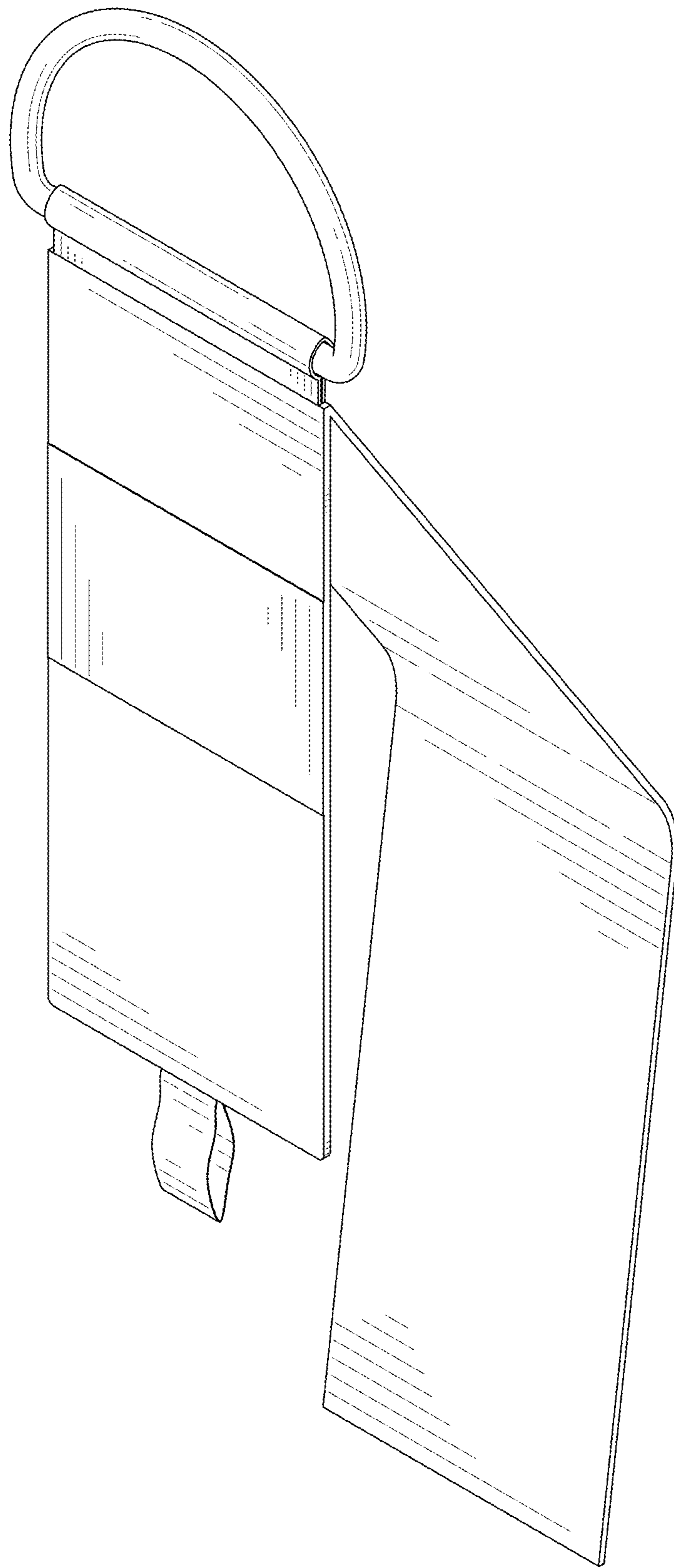


FIG. 1

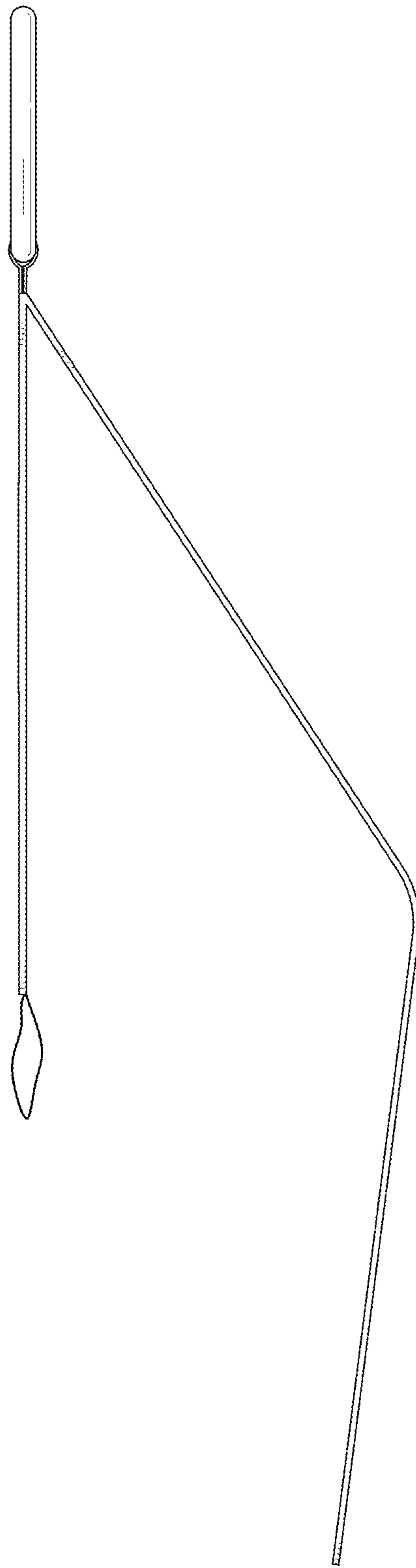


FIG. 2

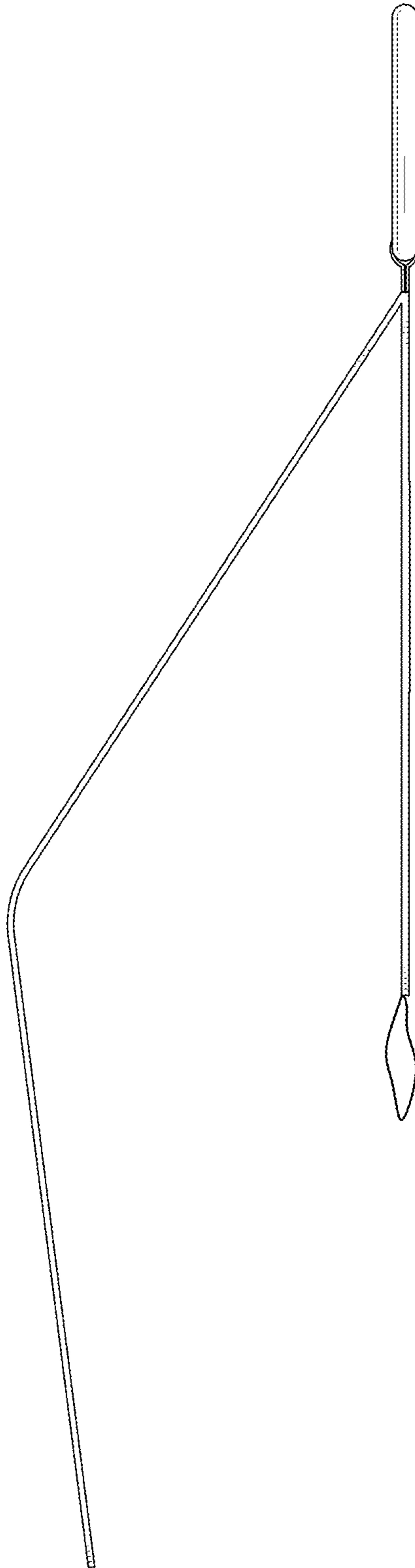


FIG. 3

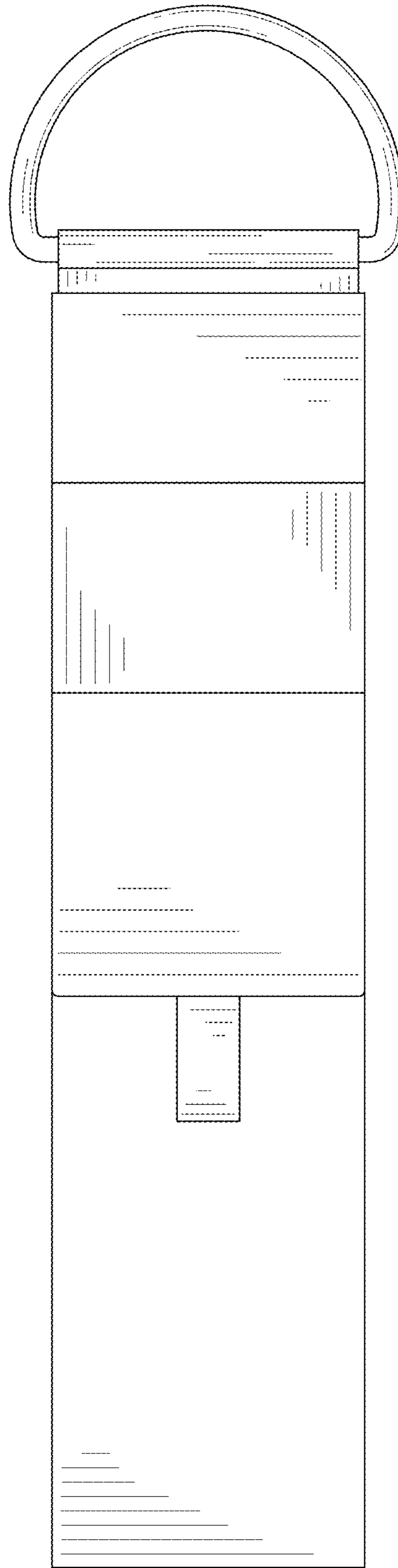


FIG. 4

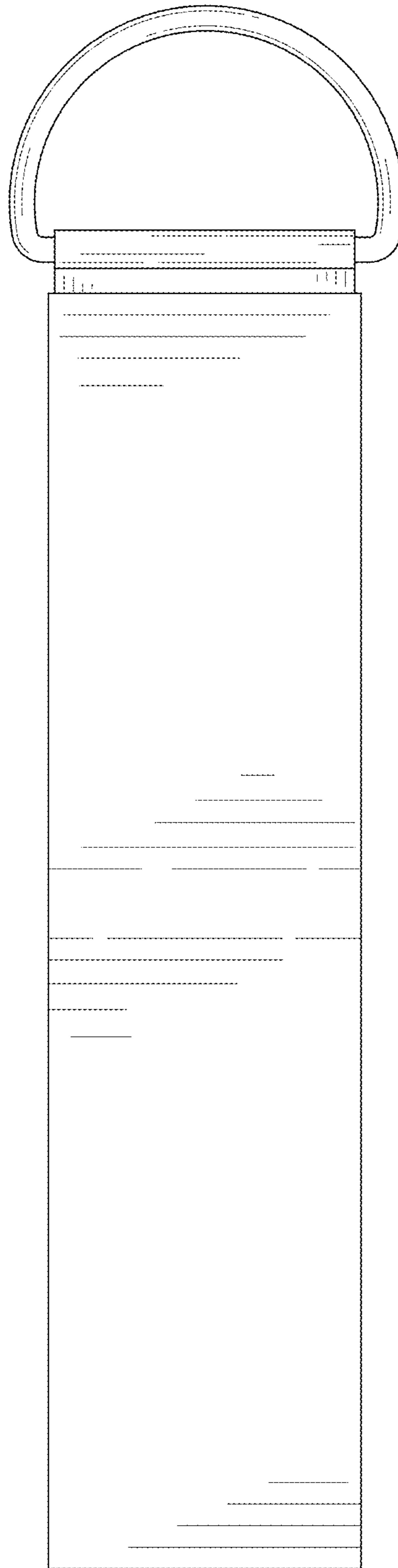


FIG. 5

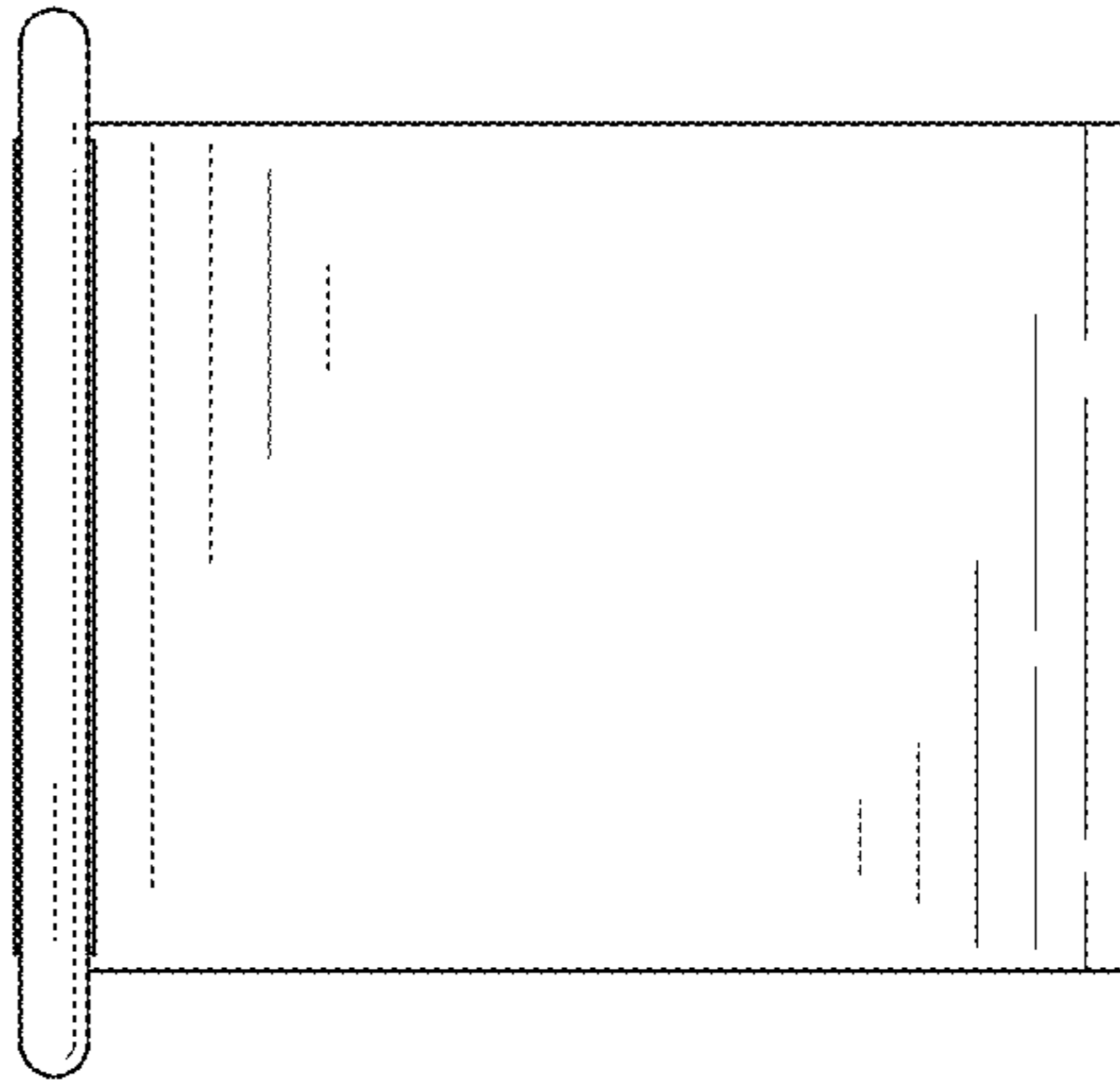


FIG. 6

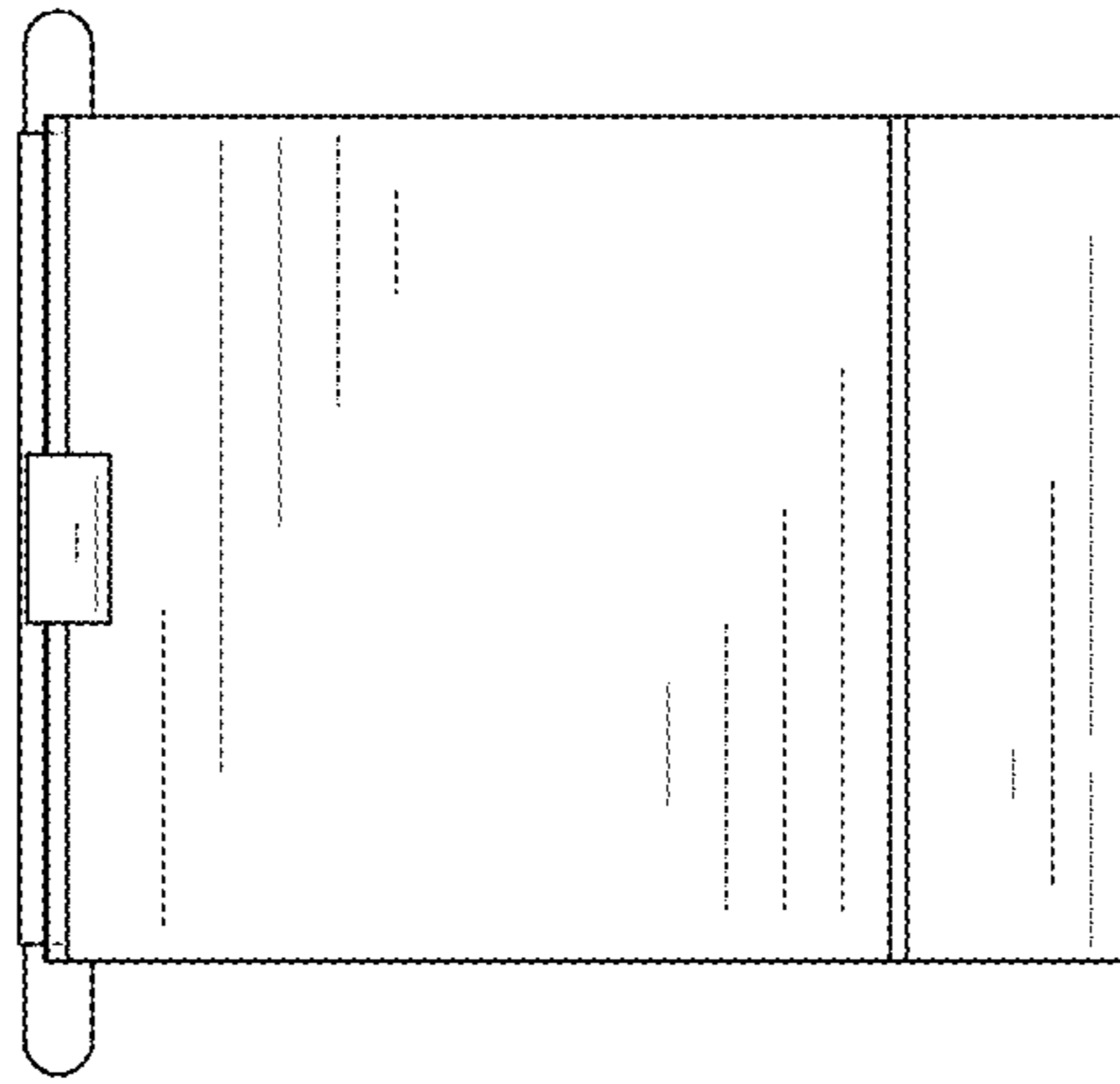


FIG. 7