



US00D912497S

(12) **United States Design Patent**
Herbertsson

(10) **Patent No.:** **US D912,497 S**

(45) **Date of Patent:** **** Mar. 9, 2021**

(54) **BRACKET**

(71) Applicant: **Troax AB**, Hillerstorp (SE)

(72) Inventor: **Ronny Herbertsson**, Hillerstorp (SE)

(73) Assignee: **Troax AB**, Hillerstorp (SE)

(**) Term: **15 Years**

(21) Appl. No.: **35/508,259**

(22) Filed: **Nov. 1, 2019**

(80) **Hague Agreement Data**

Int. Filing Date: **Nov. 1, 2019**

Int. Reg. No.: **DM/205086**

Int. Reg. Date: **Nov. 1, 2019**

Int. Reg. Pub. Date: **Dec. 27, 2019**

(51) **LOC (13) Cl.** **08-05**

(52) **U.S. Cl.**
USPC **D8/354**

(58) **Field of Classification Search**
USPC D8/330, 331, 333, 349, 354, 355, 380,
D8/381; D6/672, 680, 683.1, 684, 703.5
CPC F16B 5/00; F16B 5/02; F16B 12/50
See application file for complete search history.

(56) **References Cited**

U.S. PATENT DOCUMENTS

D260,758 S * 9/1981 Borugian D12/180
D574,222 S * 8/2008 Golias, Jr. D34/38

D618,085 S * 6/2010 Lin D8/354
9,272,829 B2 * 3/2016 Wynnick B65D 69/00
D789,565 S * 6/2017 Lopez D25/199
D796,302 S * 9/2017 Bright D8/354
D820,664 S * 6/2018 Allen D8/354
D822,453 S * 7/2018 Kanter D8/354
D855,439 S * 8/2019 Schmonsees D8/349
D855,441 S * 8/2019 Schmonsees D8/349
D860,763 S * 9/2019 Allen D8/354
D867,112 S * 11/2019 Taylor D8/363
D892,597 S * 8/2020 Stoops D8/354

* cited by examiner

Primary Examiner — Darlington Ly

(74) *Attorney, Agent, or Firm* — Tucker Ellis, LLP

(57) **CLAIM**

The ornamental design for a bracket, as shown and described.

DESCRIPTION

1. Bracket

1.1 is a top perspective view of a bracket embodying my new design;

1.2 is a bottom perspective view thereof;

1.3 is a bottom and front perspective view thereof;

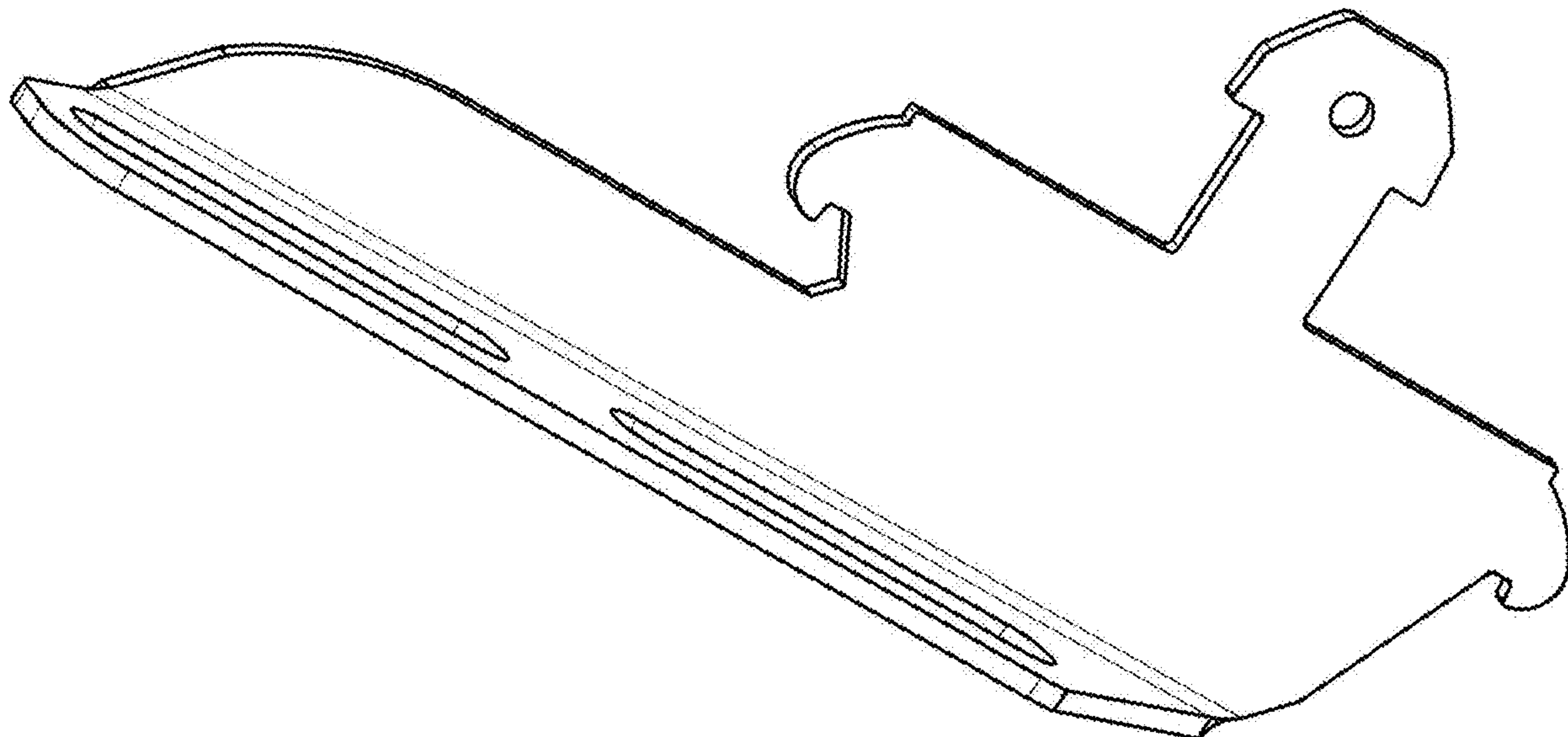
1.4 is a front elevation view thereof;

1.5 is a top plan view thereof;

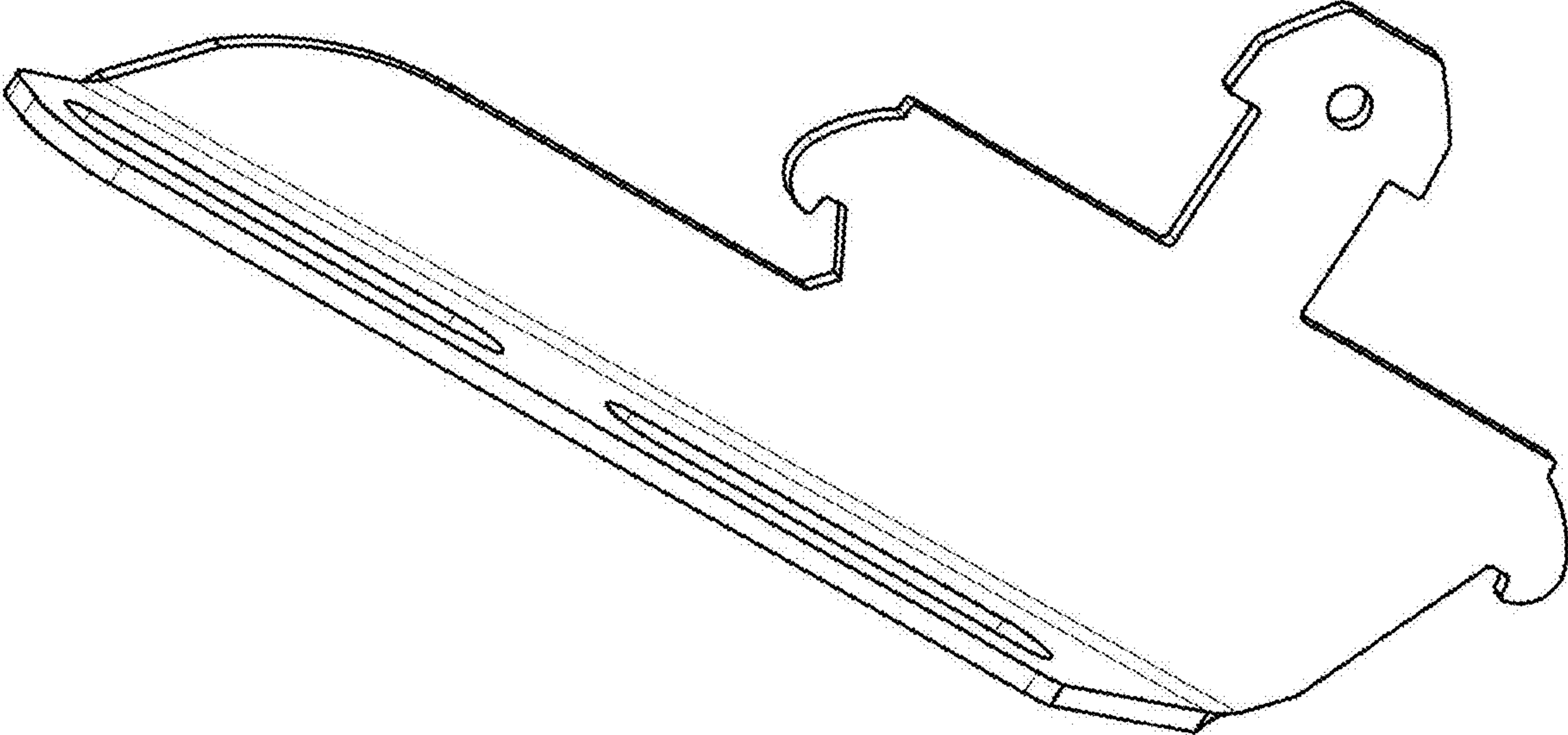
1.6 is a rear elevation view thereof; and

1.7 is a side elevation view thereof.

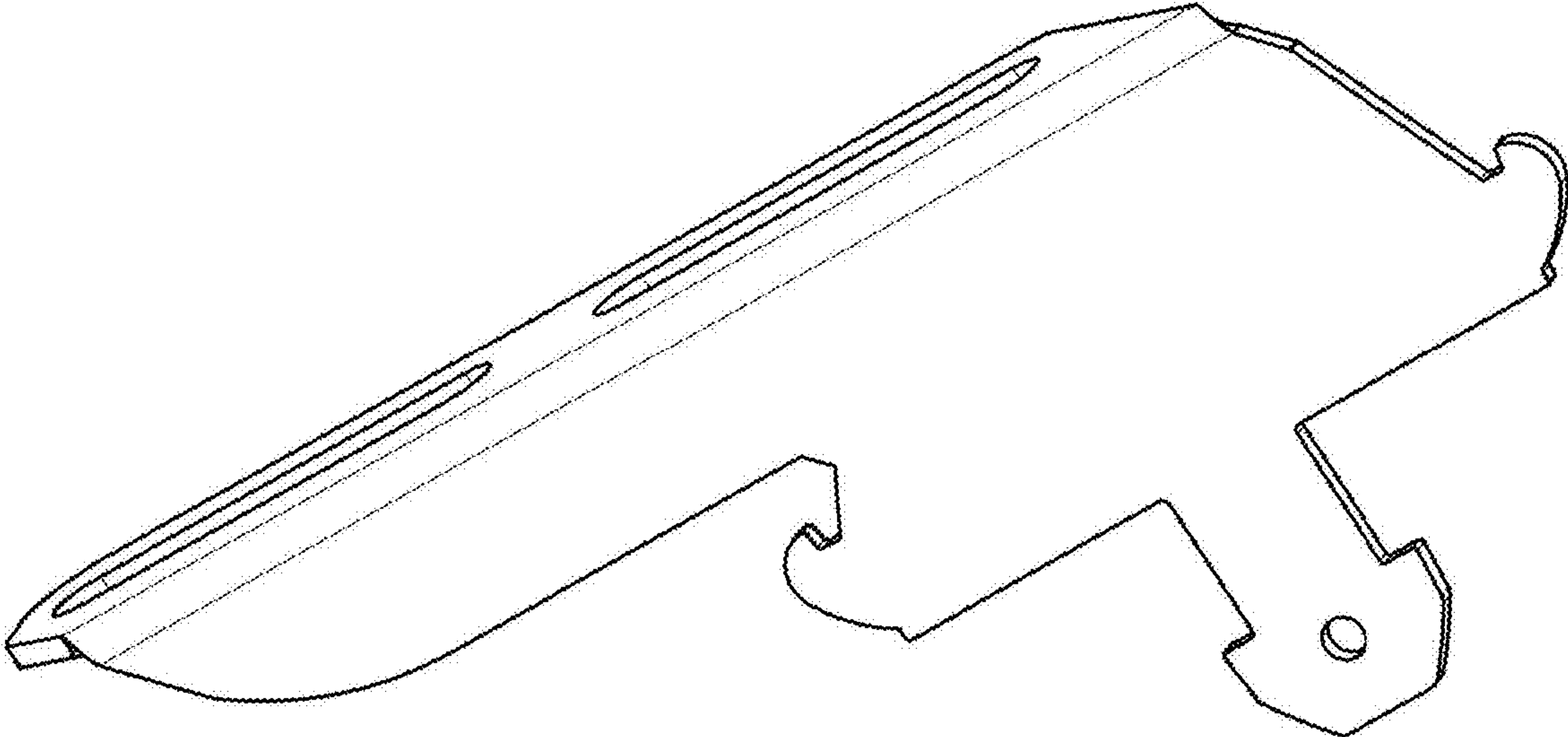
1 Claim, 7 Drawing Sheets



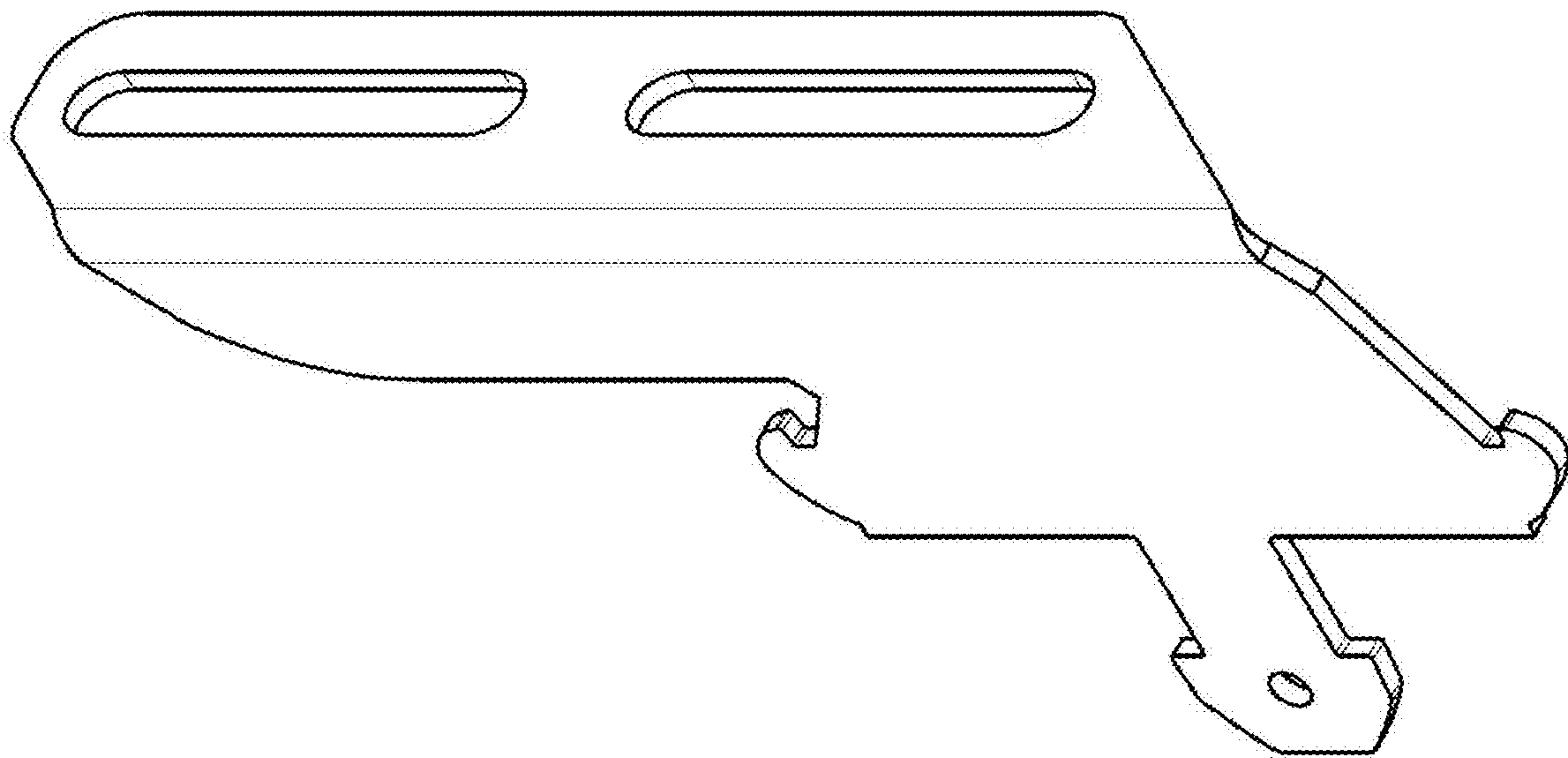
1.1



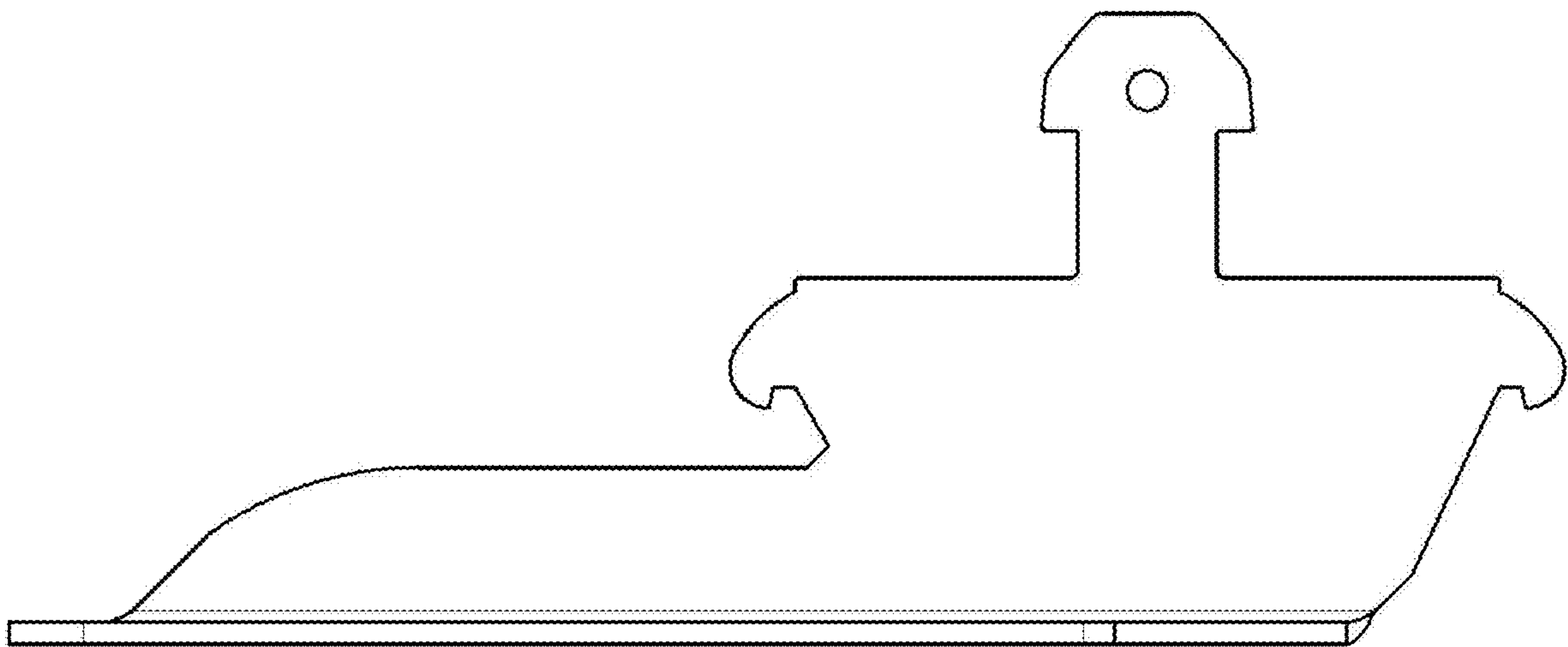
1.2



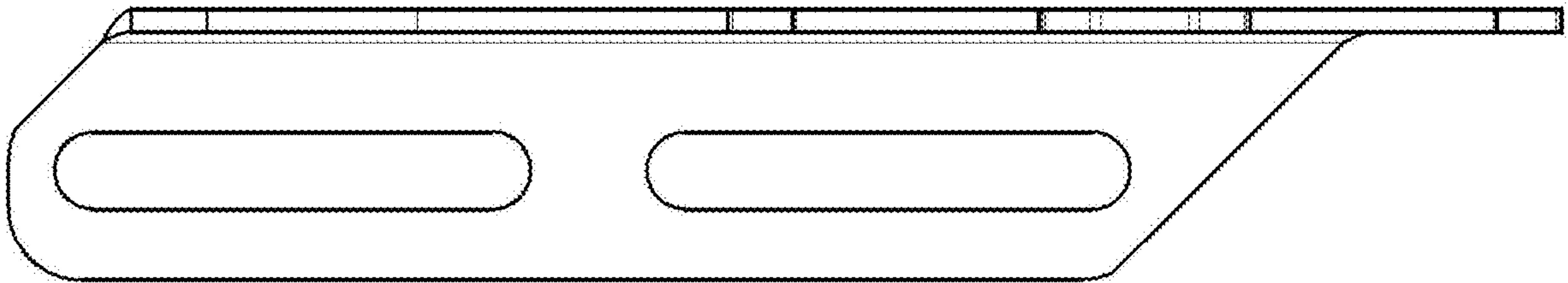
1.3



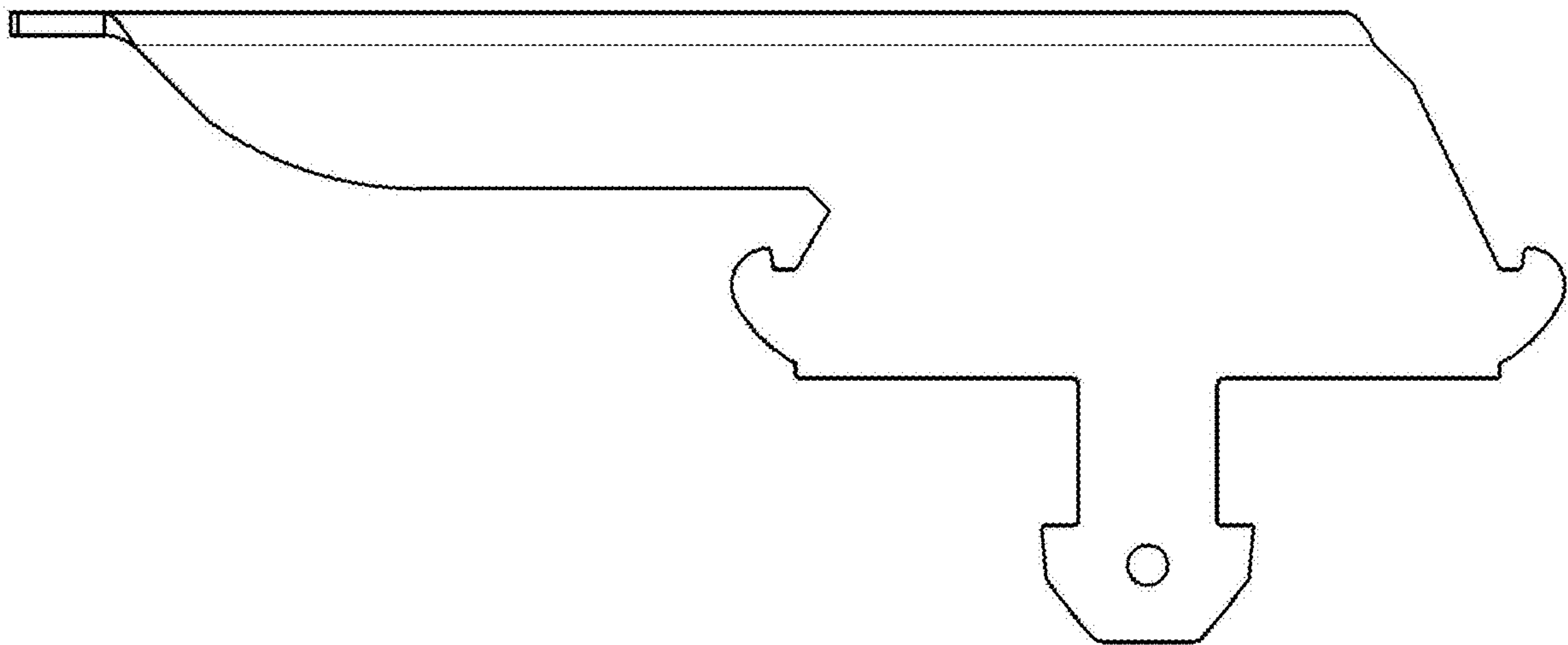
1.4



1.5



1.6



1.7

