



US00D912496S

(12) **United States Design Patent**  
**Fox**

(10) **Patent No.:** **US D912,496 S**  
(45) **Date of Patent:** **\*\* Mar. 9, 2021**

(54) **MULTIPLE PORT BEAM BRACKET**

**DESCRIPTION**

- (71) Applicant: **Fox Hardwood Lumber Company, L.L.C.**, Franklin, TN (US)
- (72) Inventor: **Samuel Fox**, Franklin, TN (US)
- (73) Assignee: **FOX HARDWOOD LUMBER COMPANY, L.L.C.**, Franklin, TN (US)
- (\*\*) Term: **15 Years**
- (21) Appl. No.: **29/710,240**
- (22) Filed: **Oct. 22, 2019**

**Related U.S. Application Data**

- (63) Continuation-in-part of application No. 16/418,412, filed on May 21, 2019, now abandoned, which is a (Continued)
- (51) **LOC (13) Cl.** ..... **08-05**
- (52) **U.S. Cl.**  
USPC ..... **D8/354; D25/128**
- (58) **Field of Classification Search**  
USPC ..... **D8/354, 349, 353, 366; D25/133, 134, D25/136, 127, 126, 128**  
(Continued)

(56) **References Cited**

**U.S. PATENT DOCUMENTS**

- 5,004,369 A \* 4/1991 Young ..... E04B 7/063  
403/232.1
- 5,217,317 A \* 6/1993 Young ..... F16B 9/058  
403/232.1

(Continued)

*Primary Examiner* — Keli L Hill  
*Assistant Examiner* — Harold E Blackwell, II  
(74) *Attorney, Agent, or Firm* — Shane Cortesi

(57) **CLAIM**

The ornamental design for a multiple port beam bracket, as shown and described.

FIG. 1 is a front left top perspective view of a multiple port beam bracket in accordance with the present invention.

FIG. 2 is another front left top perspective view showing the multiple port beam bracket of FIG. 1.

FIG. 3 is a front left bottom perspective view showing the multiple port beam bracket of FIG. 1.

FIG. 4 is a front left top perspective view showing the multiple port beam bracket of FIG. 1.

FIG. 5 is a front elevation view showing the multiple port beam bracket of FIG. 1, with the rear being a mirror image thereof.

FIG. 6 is a left elevation view showing the multiple port beam bracket of FIG. 1.

FIG. 7 is a right elevation view showing the multiple port beam bracket of FIG. 1.

FIG. 8 is a top plan view showing the multiple port beam bracket of FIG. 1.

FIG. 9 is a bottom plan view showing the multiple port beam bracket of FIG. 1.

FIG. 10 is a front left top perspective view of another embodiment of a multiple port beam bracket in accordance with the present invention.

FIG. 11 is another front left top perspective view showing the multiple port beam bracket of FIG. 10.

FIG. 12 is a front left bottom perspective view showing the multiple port beam bracket of FIG. 10.

FIG. 13 is a front left top perspective view showing the multiple port beam bracket of FIG. 10.

FIG. 14 is a front elevation view showing the multiple port beam bracket of FIG. 10.

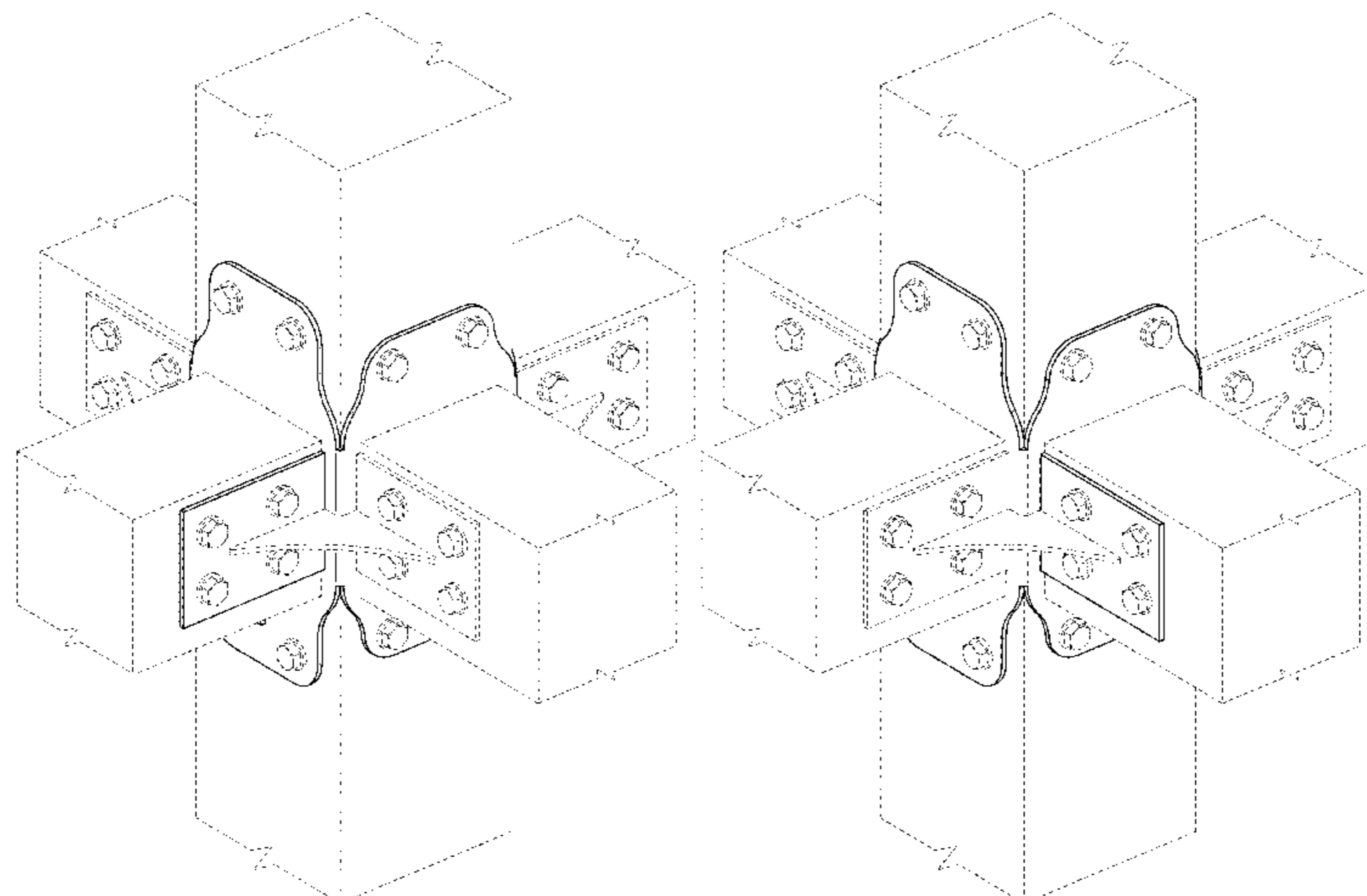
FIG. 15 is a rear elevation view showing the multiple port beam bracket of FIG. 10.

FIG. 16 is a left elevation view showing the multiple port beam bracket of FIG. 10, with the right being a mirror image thereof.

FIG. 17 is a top plan view showing the multiple port beam bracket of FIG. 10; and,

FIG. 18 is a bottom plan view showing the multiple port beam bracket of FIG. 10.

(Continued)



# US D912,496 S

Page 2

The broken lines shown in the Figures depict environmental subject matter only and are not part of the claimed design.

## 1 Claim, 16 Drawing Sheets

### Related U.S. Application Data

continuation-in-part of application No. 15/623,354, filed on Jun. 14, 2017, now Pat. No. 10,294,656.

### (58) Field of Classification Search

CPC . E04B 7/045; B65D 2255/00; B65D 2590/02; B60P 7/0892

See application file for complete search history.

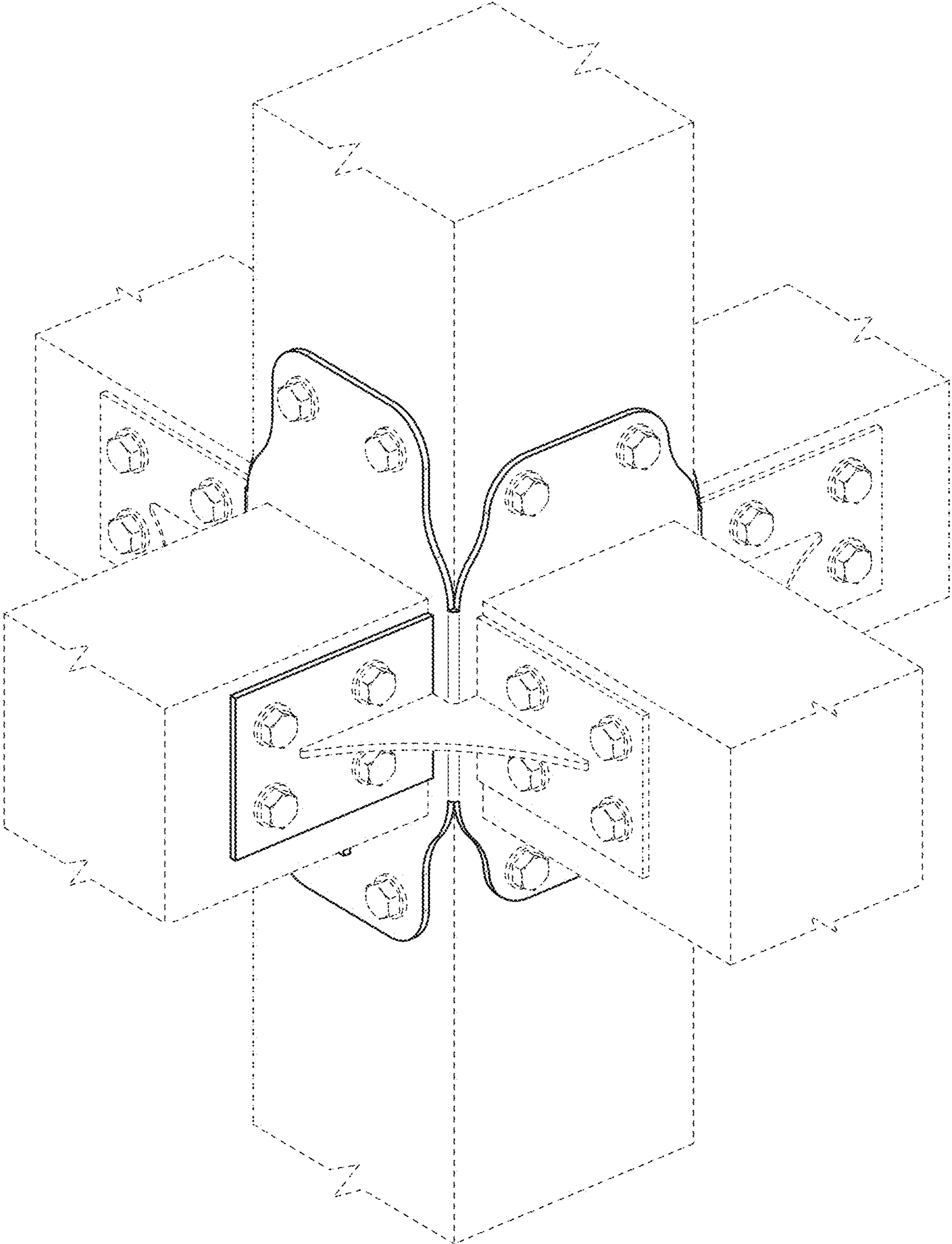
### (56) References Cited

#### U.S. PATENT DOCUMENTS

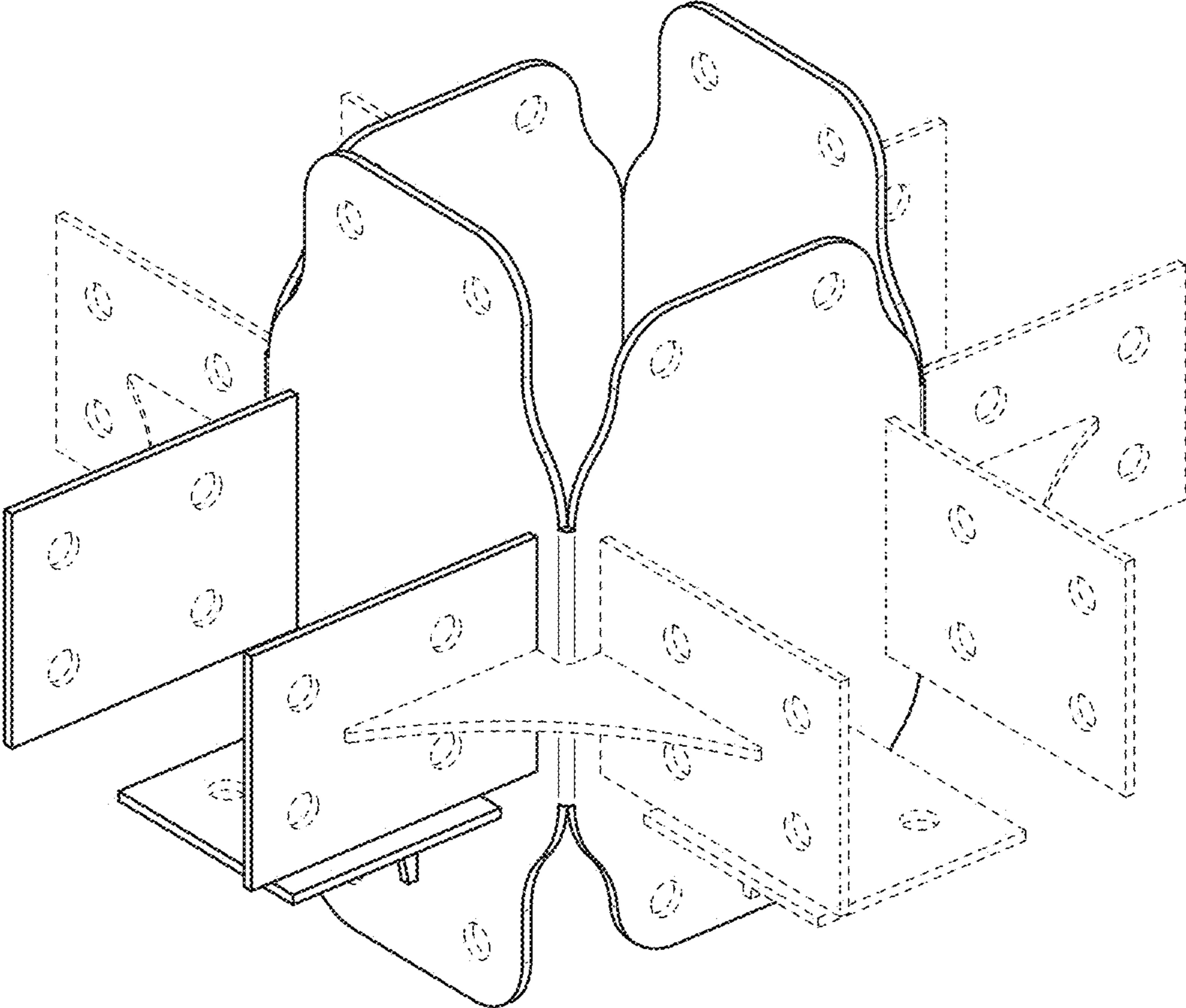
5,230,198 A \* 7/1993 Callies ..... F16B 9/058  
52/702  
5,653,079 A \* 8/1997 Loeffler ..... E04B 1/2608  
403/396

5,857,295 A \* 1/1999 Mikawa ..... E04B 7/045  
52/656.9  
7,454,872 B2 \* 11/2008 Cutforth ..... E02D 27/16  
52/295  
7,537,412 B2 \* 5/2009 Lewis ..... E01F 9/642  
40/606.01  
7,971,410 B2 \* 7/2011 Jerke ..... E04B 7/045  
52/702  
9,650,780 B2 \* 5/2017 Tan ..... E04B 1/40  
D813,419 S \* 3/2018 Ollila ..... D25/119  
10,100,508 B1 \* 10/2018 Fox ..... E04B 7/063  
10,202,766 B1 \* 2/2019 Fox ..... E04B 7/045  
10,294,656 B2 \* 5/2019 Fox ..... E04B 1/2612  
10,358,811 B1 \* 7/2019 Fox ..... E04B 7/045  
10,400,449 B2 \* 9/2019 Ollila ..... B65G 11/00  
D887,251 S \* 6/2020 Fox ..... D8/354  
D891,230 S \* 7/2020 Fox ..... D8/354  
D895,403 S \* 9/2020 Fox ..... D8/354  
2008/0282641 A1 \* 11/2008 Sackett ..... E04B 7/045  
52/715  
2016/0168840 A1 \* 6/2016 Monty ..... E04B 7/045  
52/262

\* cited by examiner

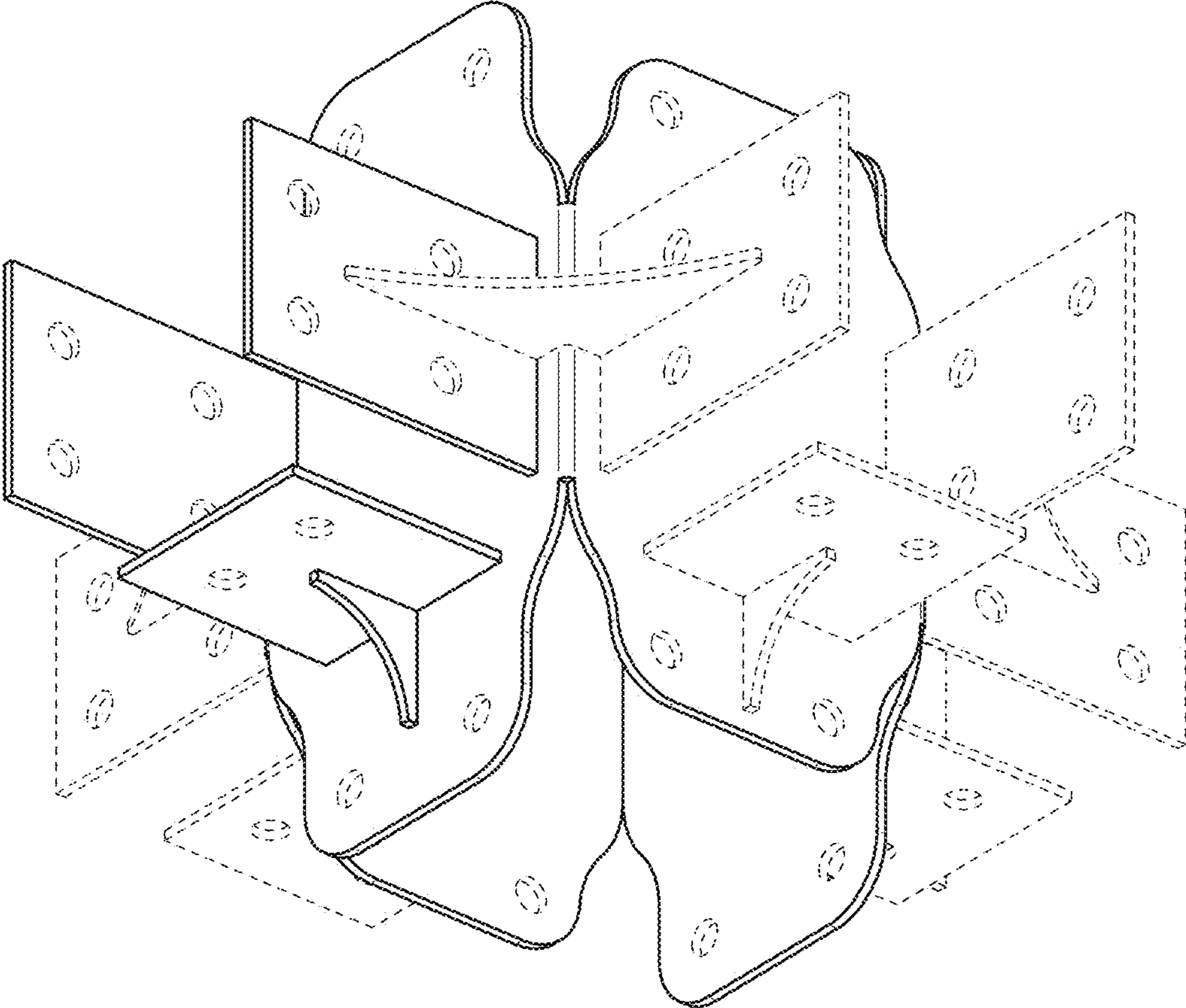


**FIG. 1**

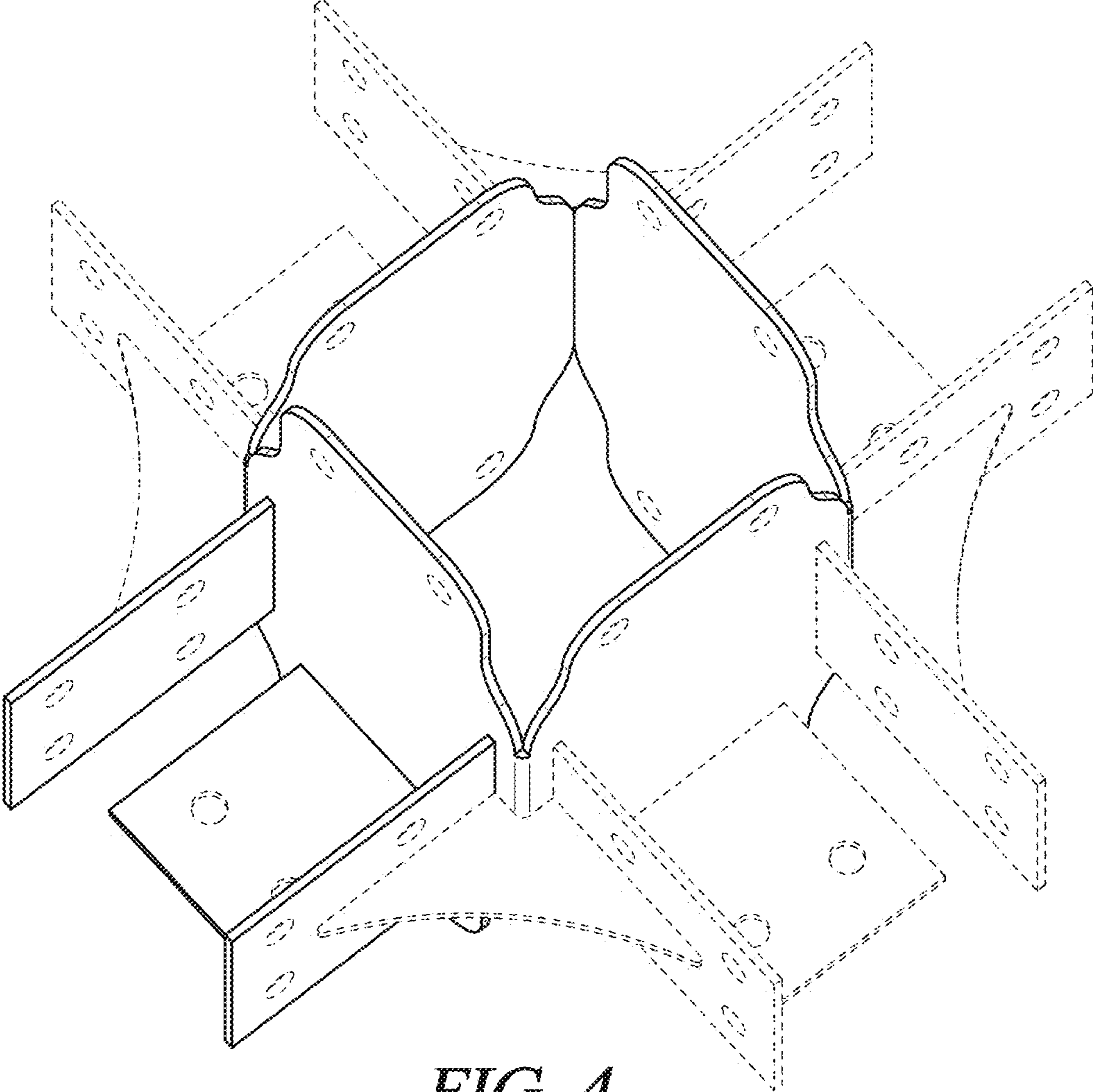


*FIG. 2*

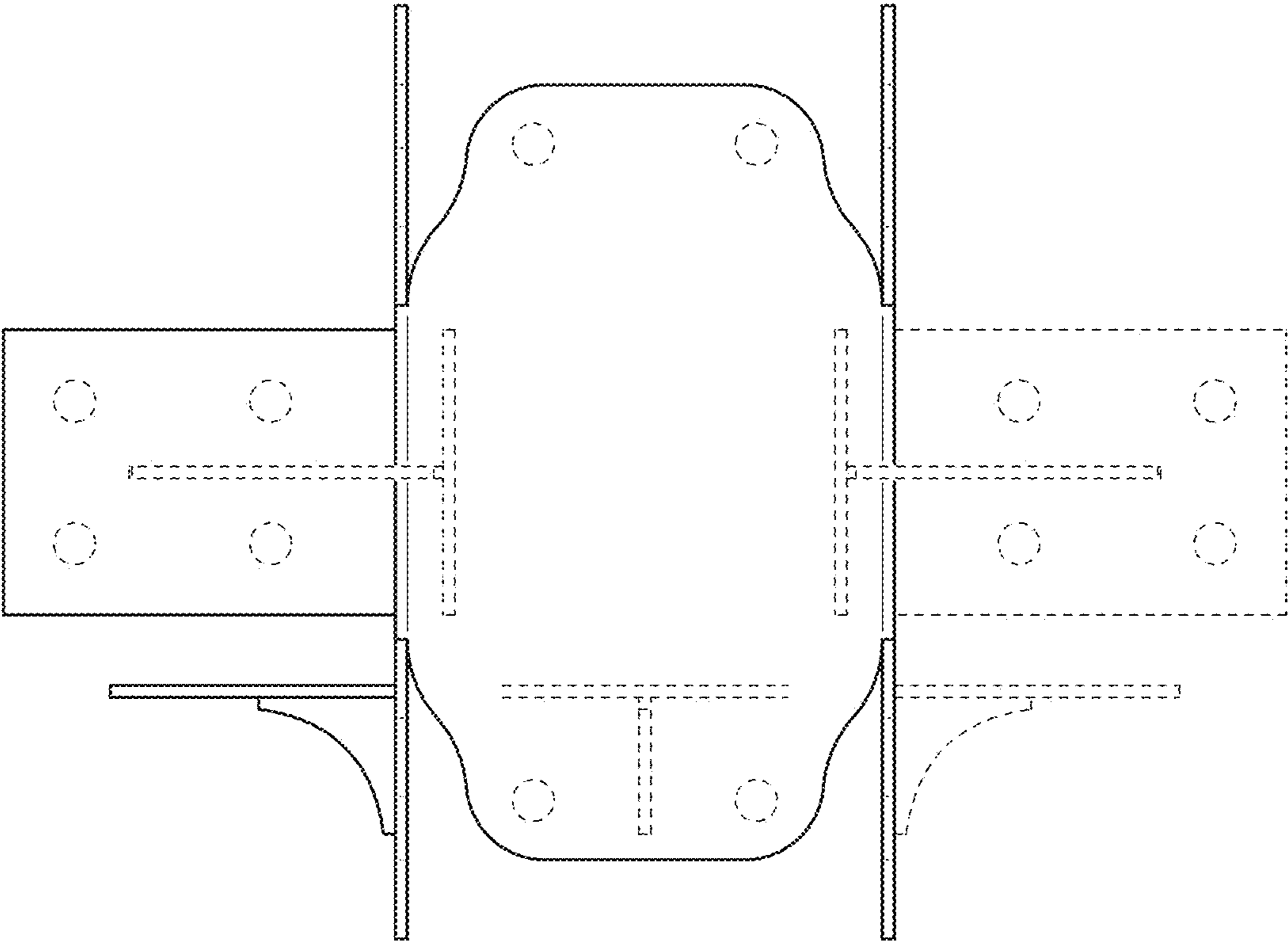




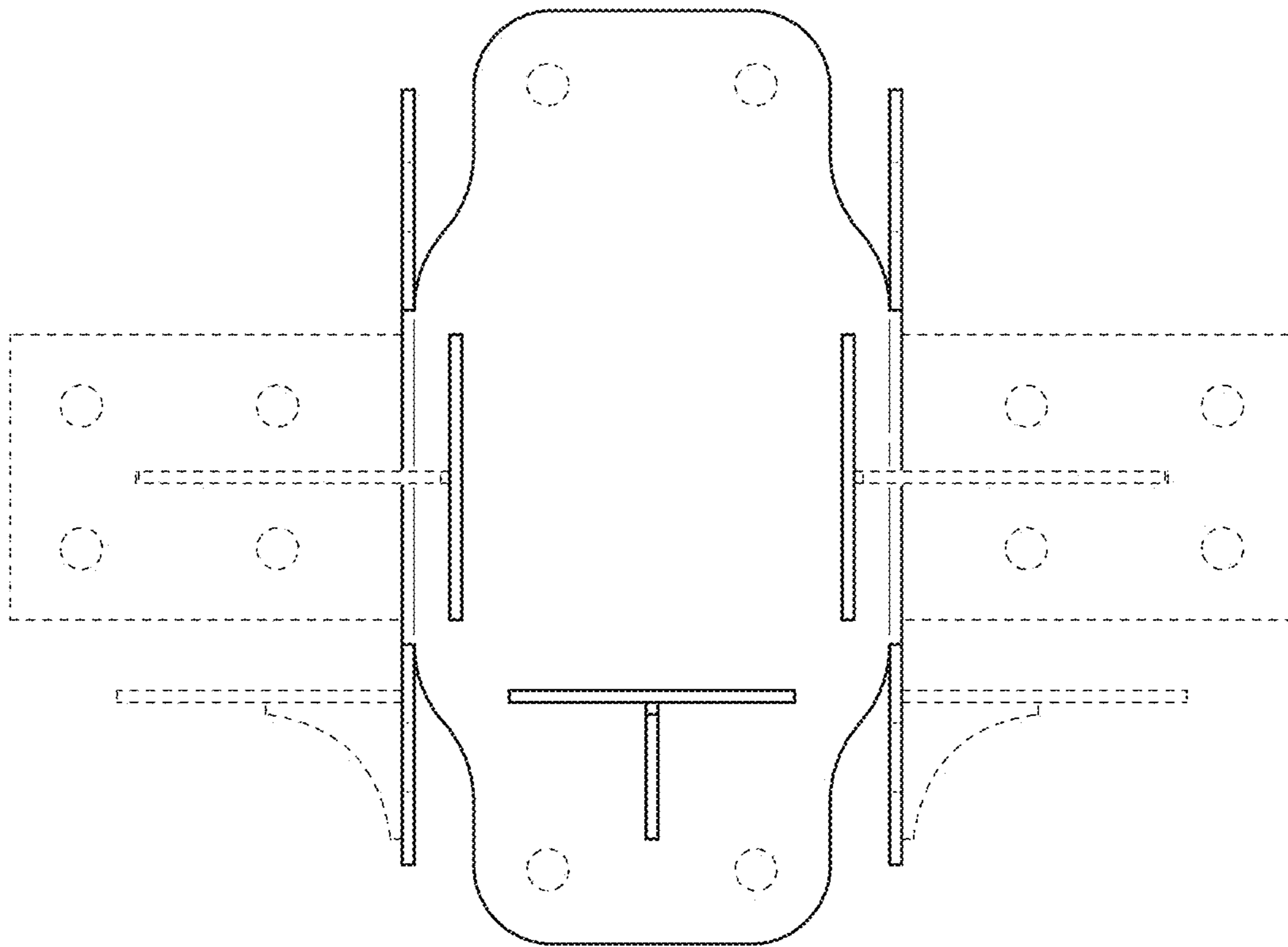
*FIG. 3*



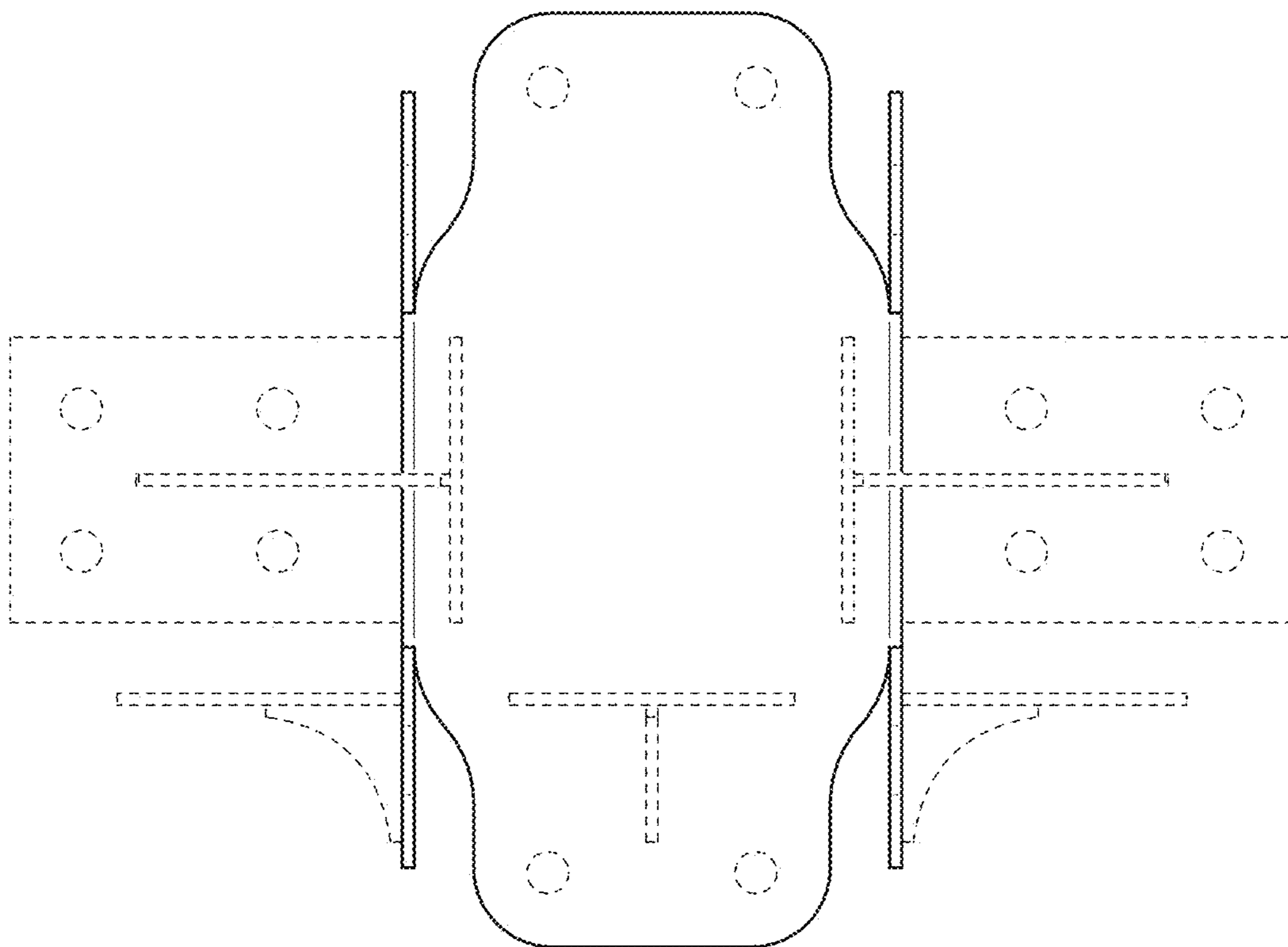
*FIG. 4*



*FIG. 5*

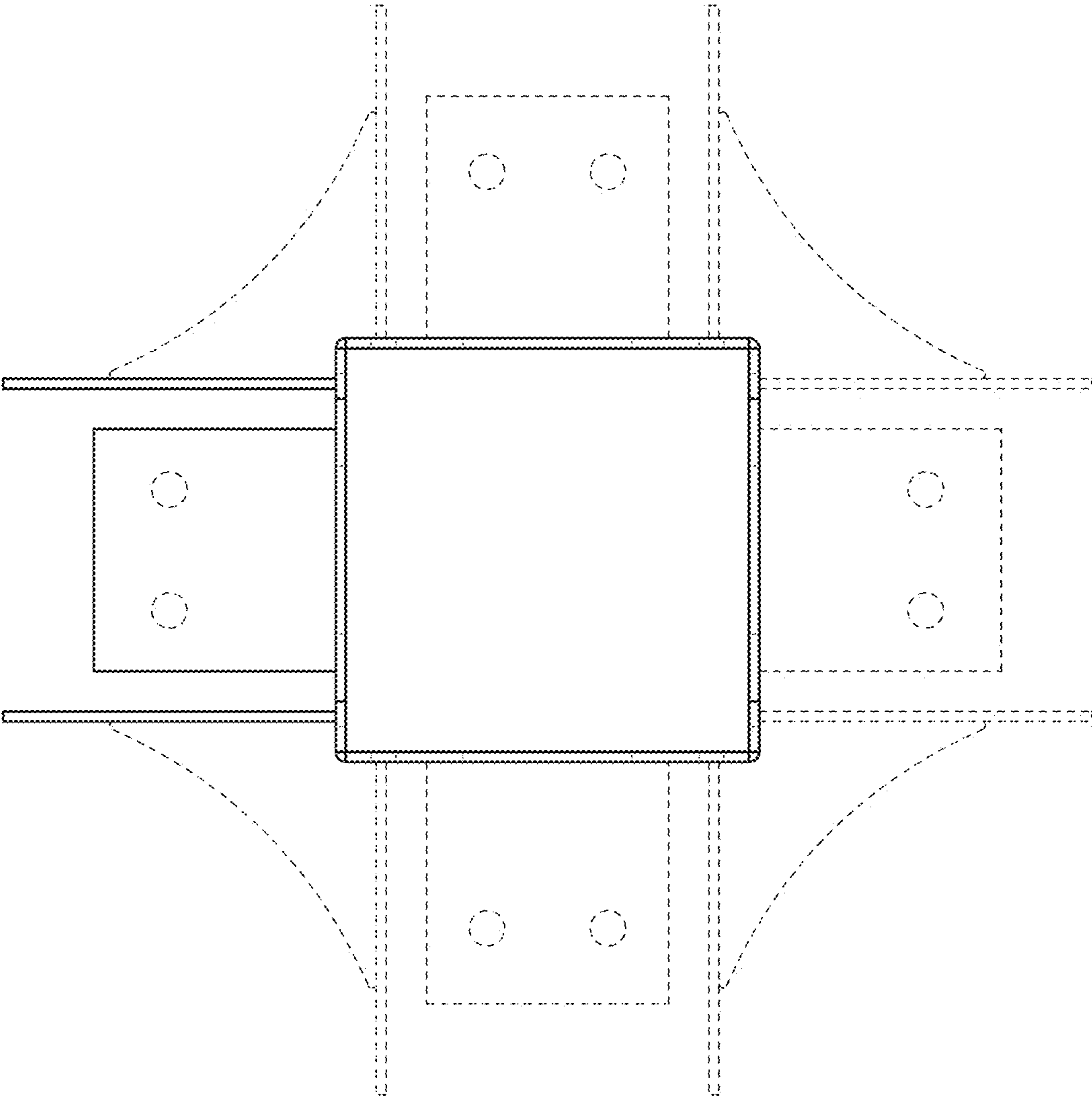


*FIG. 6*

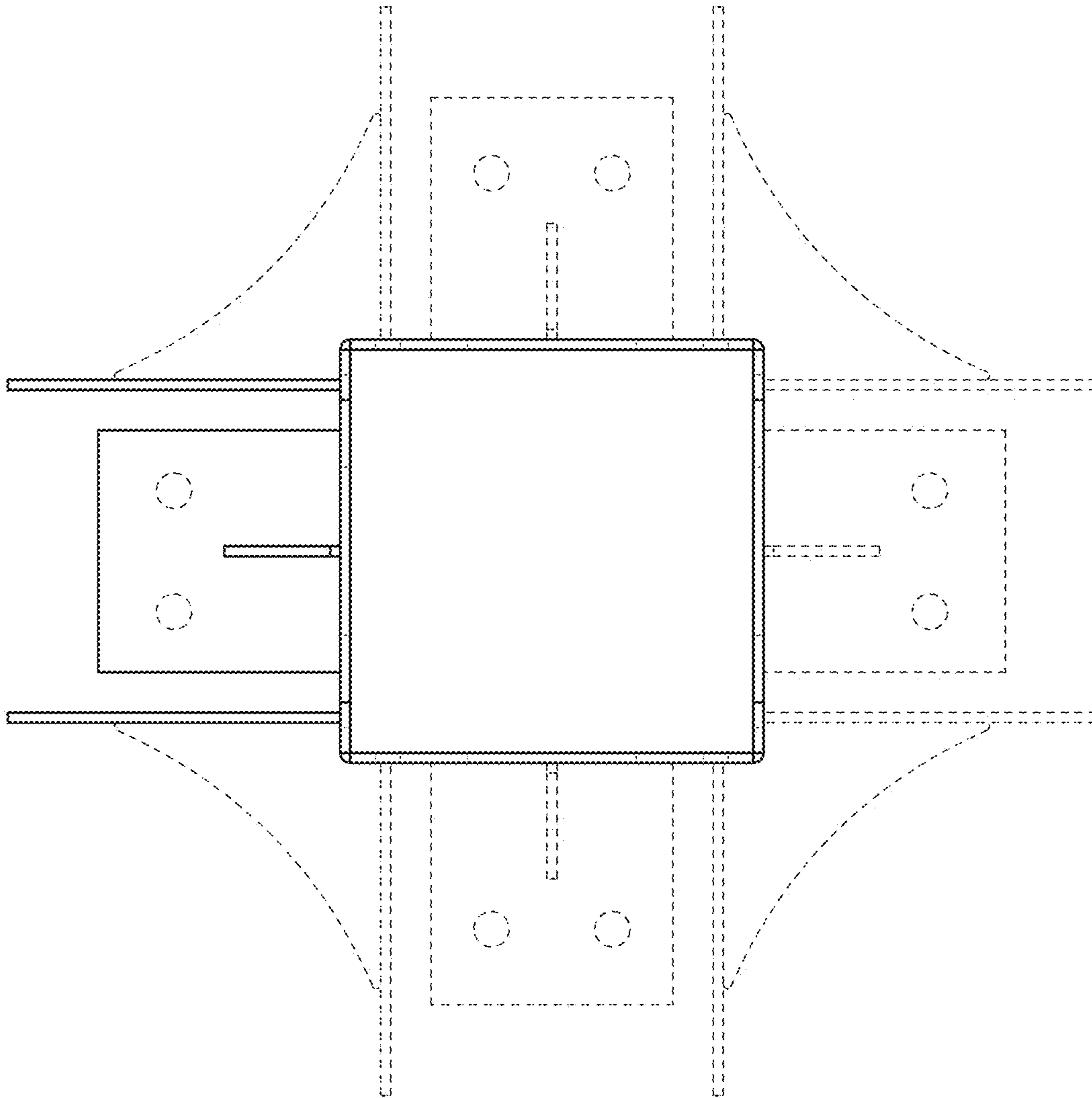


*FIG. 7*

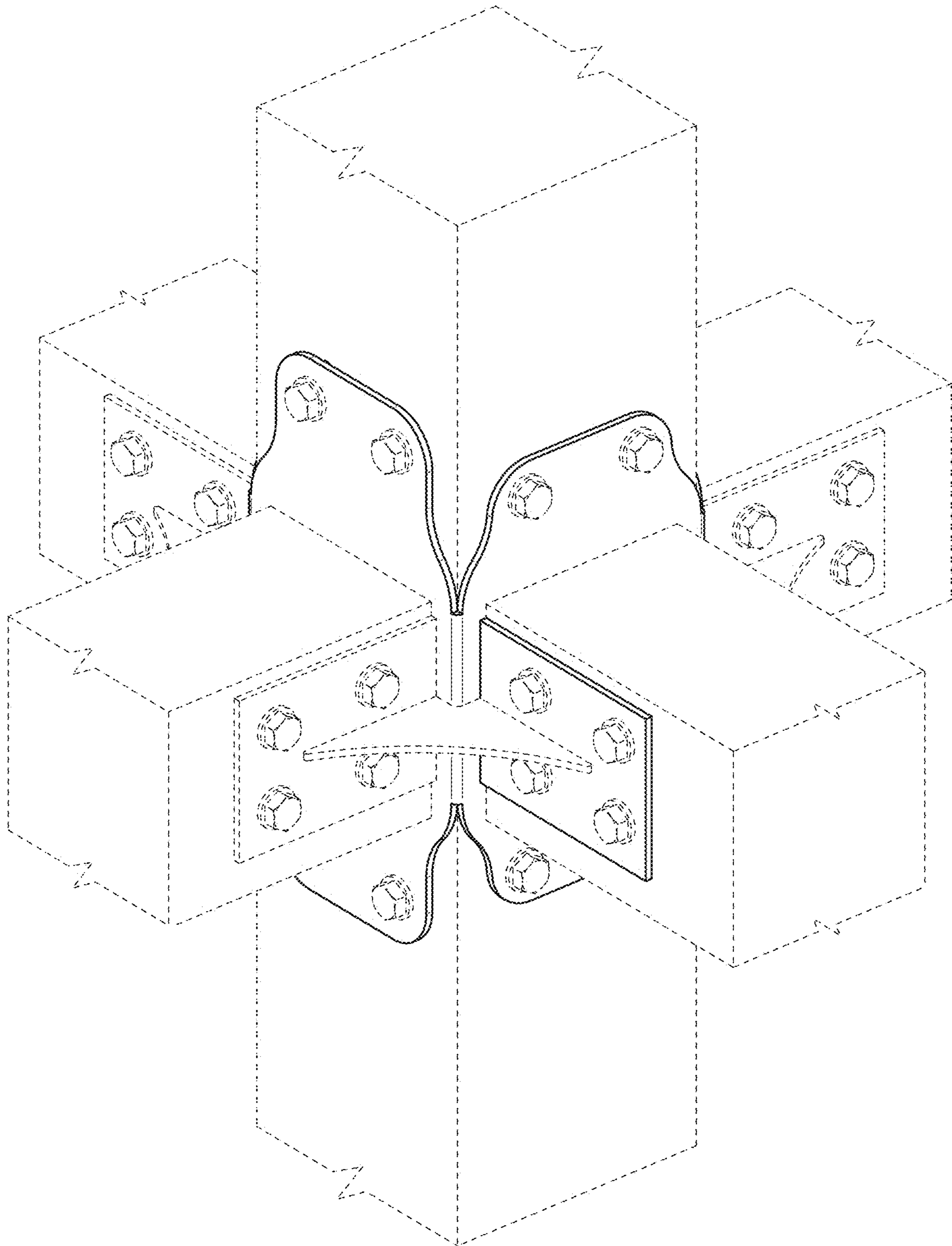




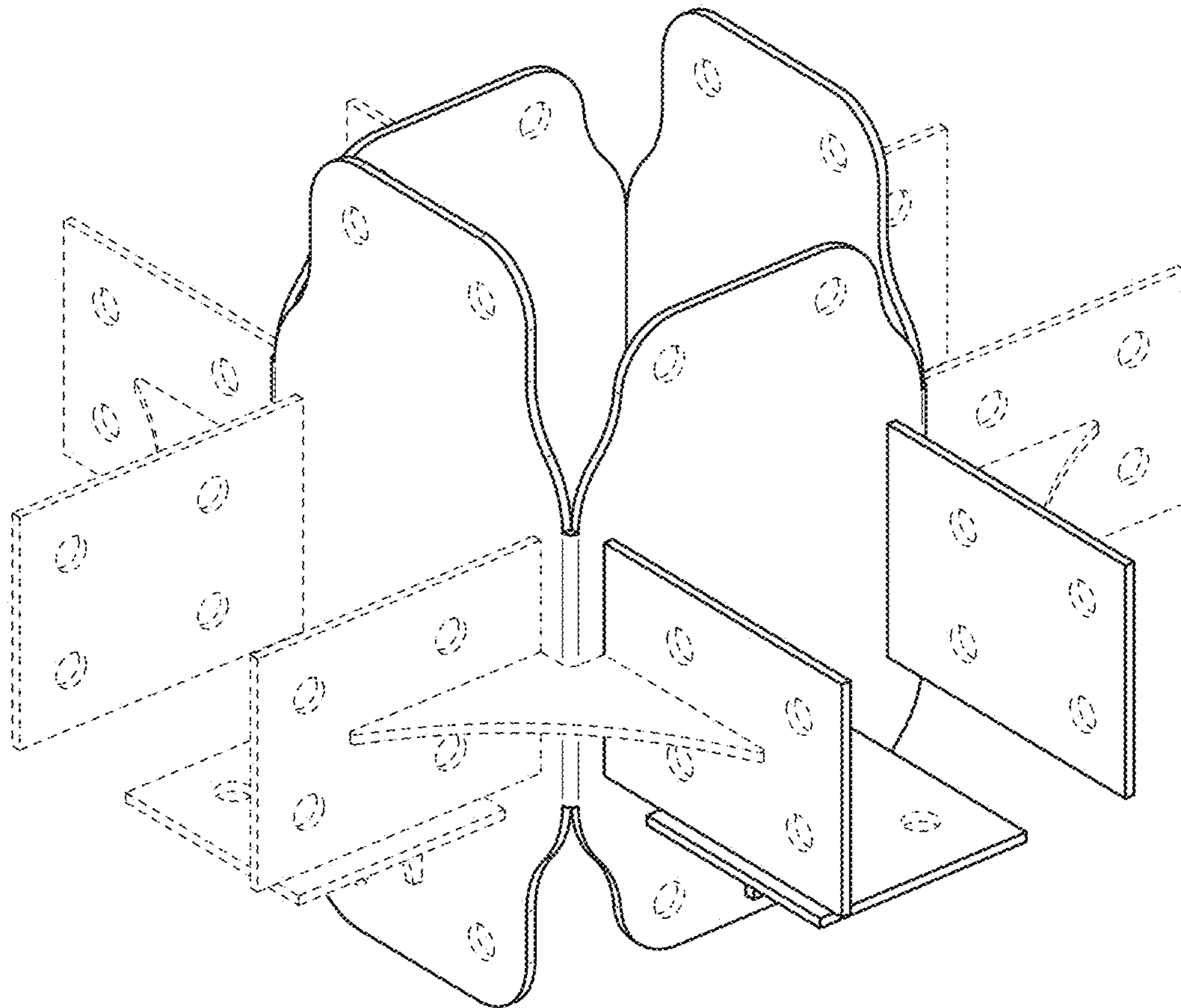
*FIG. 8*



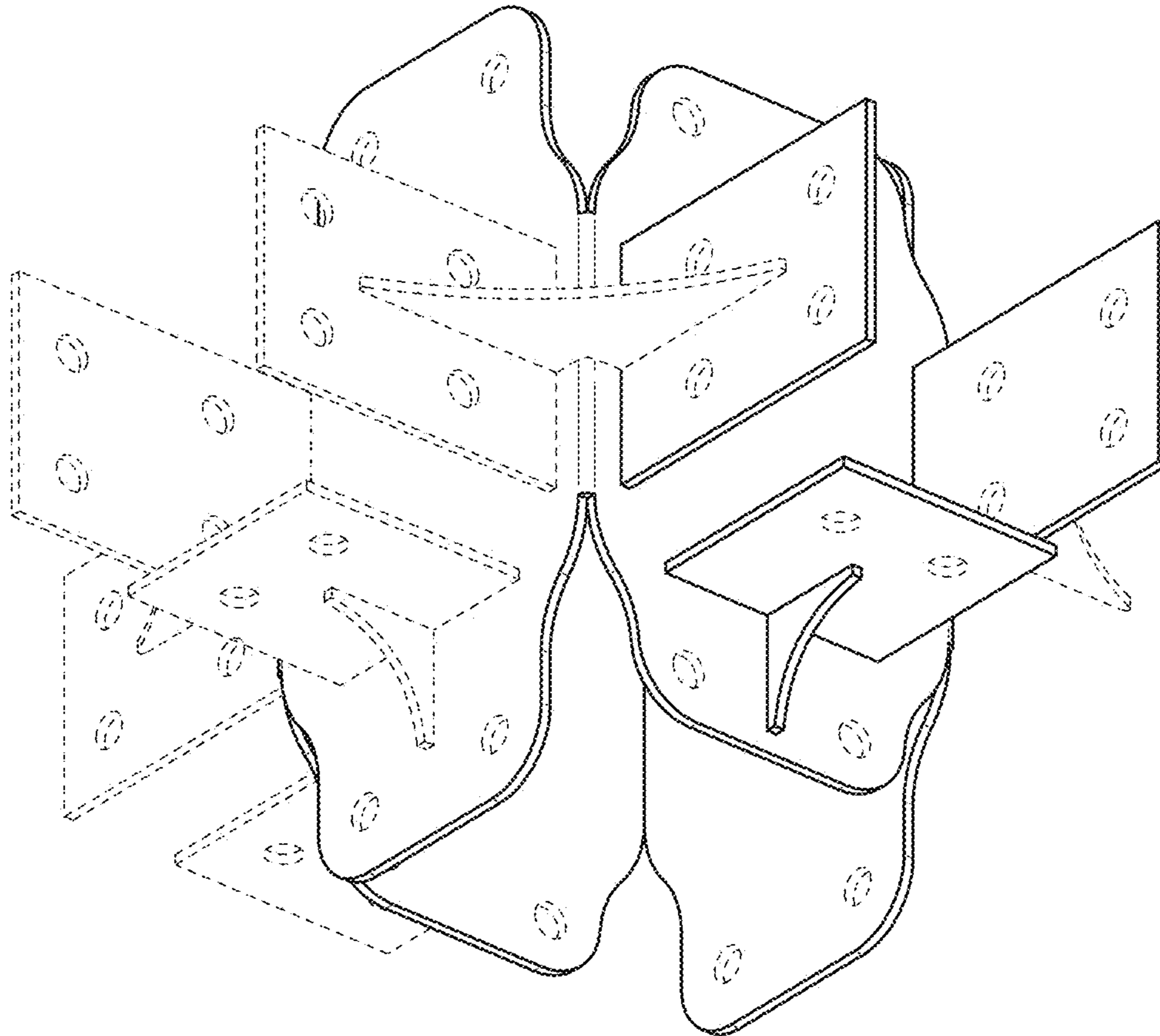
*FIG. 9*



**FIG. 10**

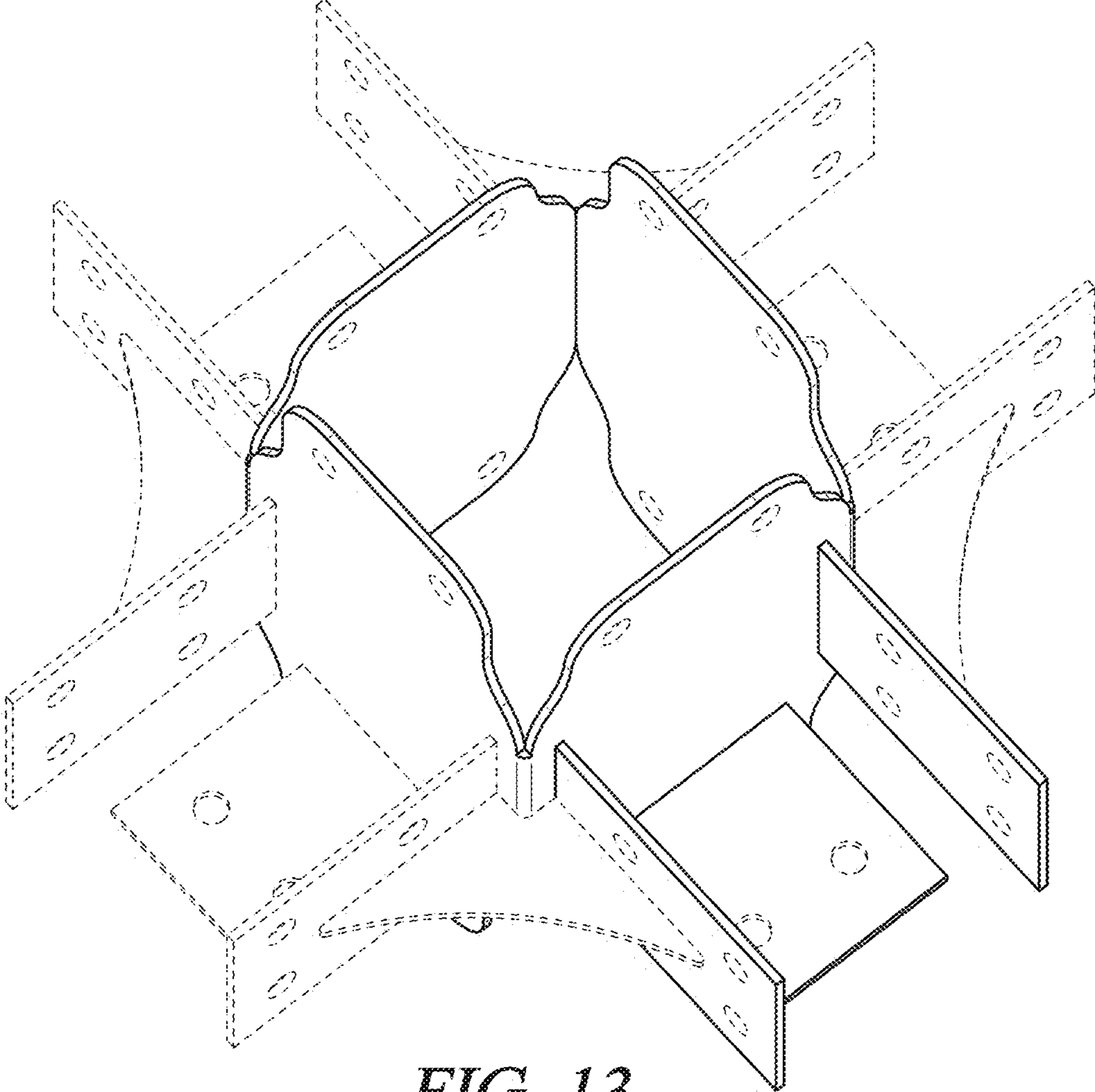


*FIG. 11*

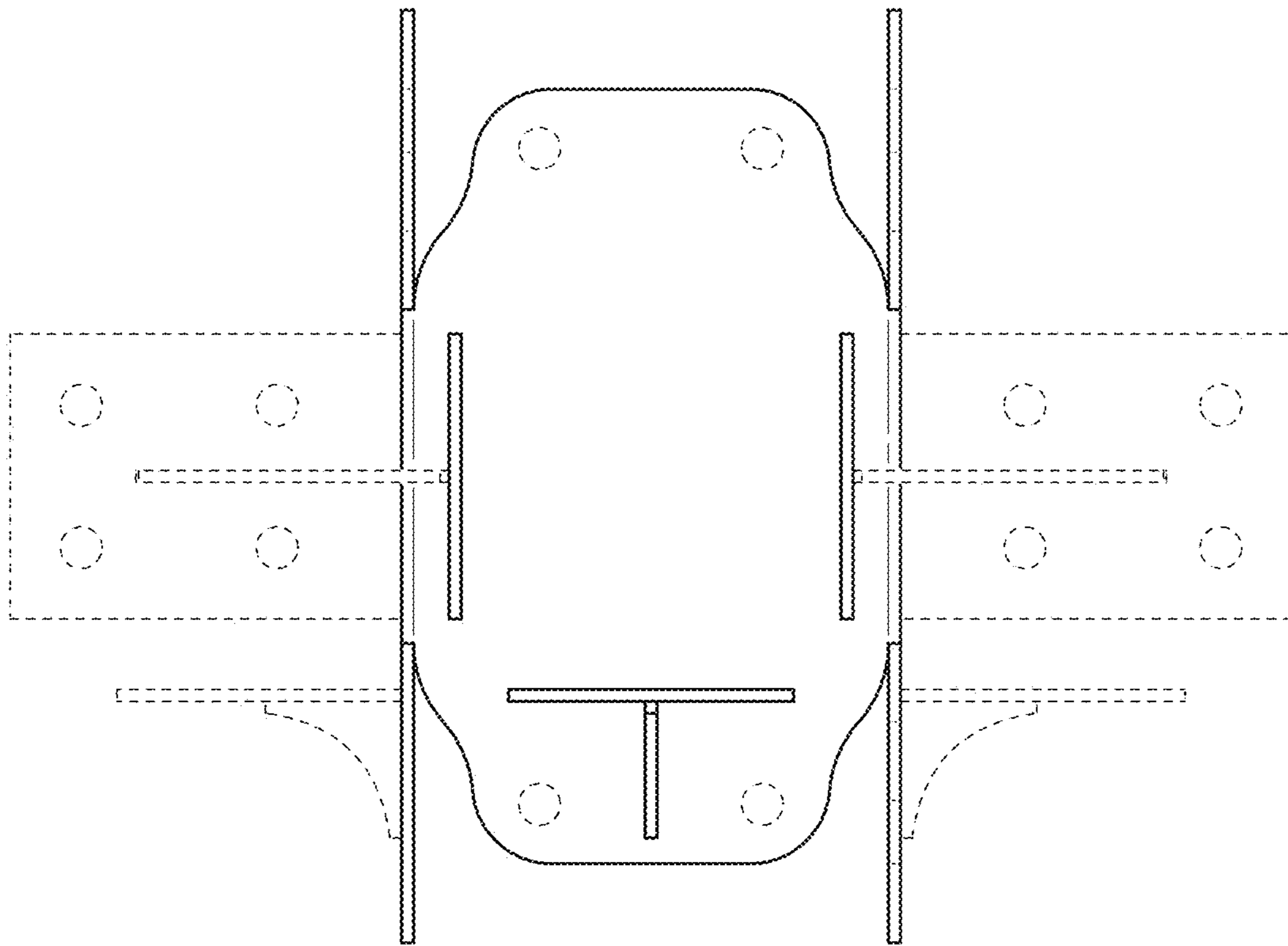


*FIG. 12*

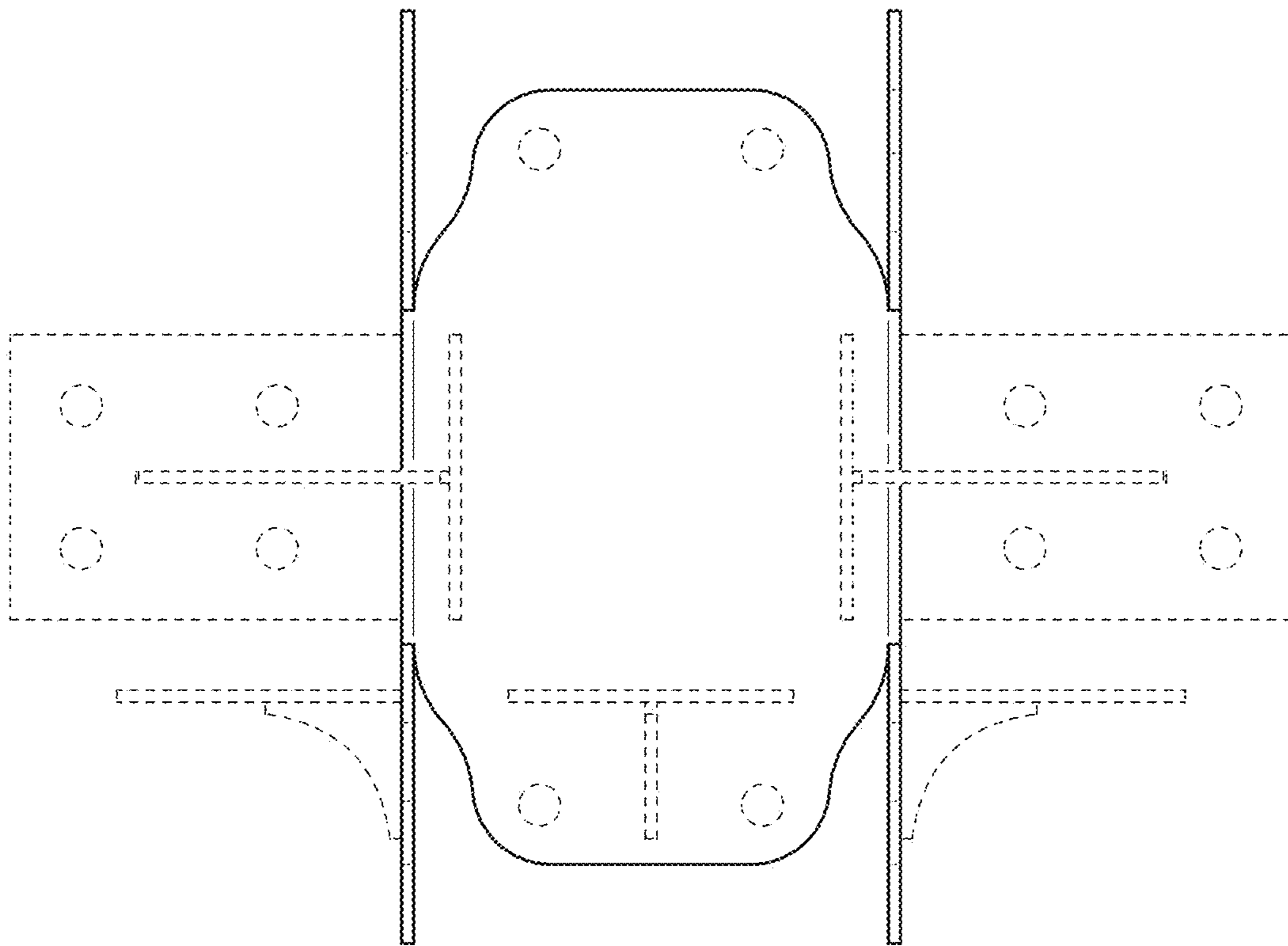




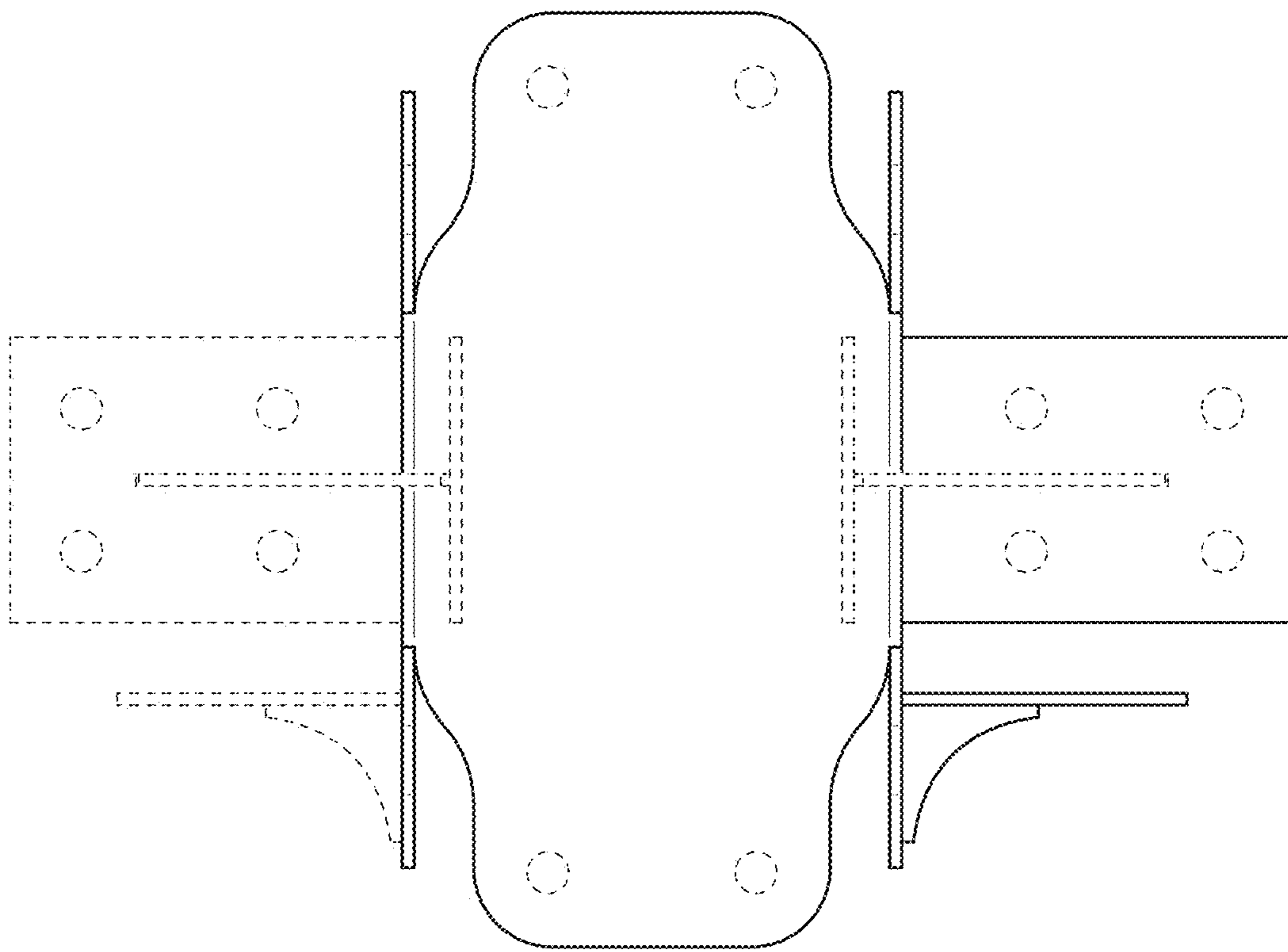
*FIG. 13*



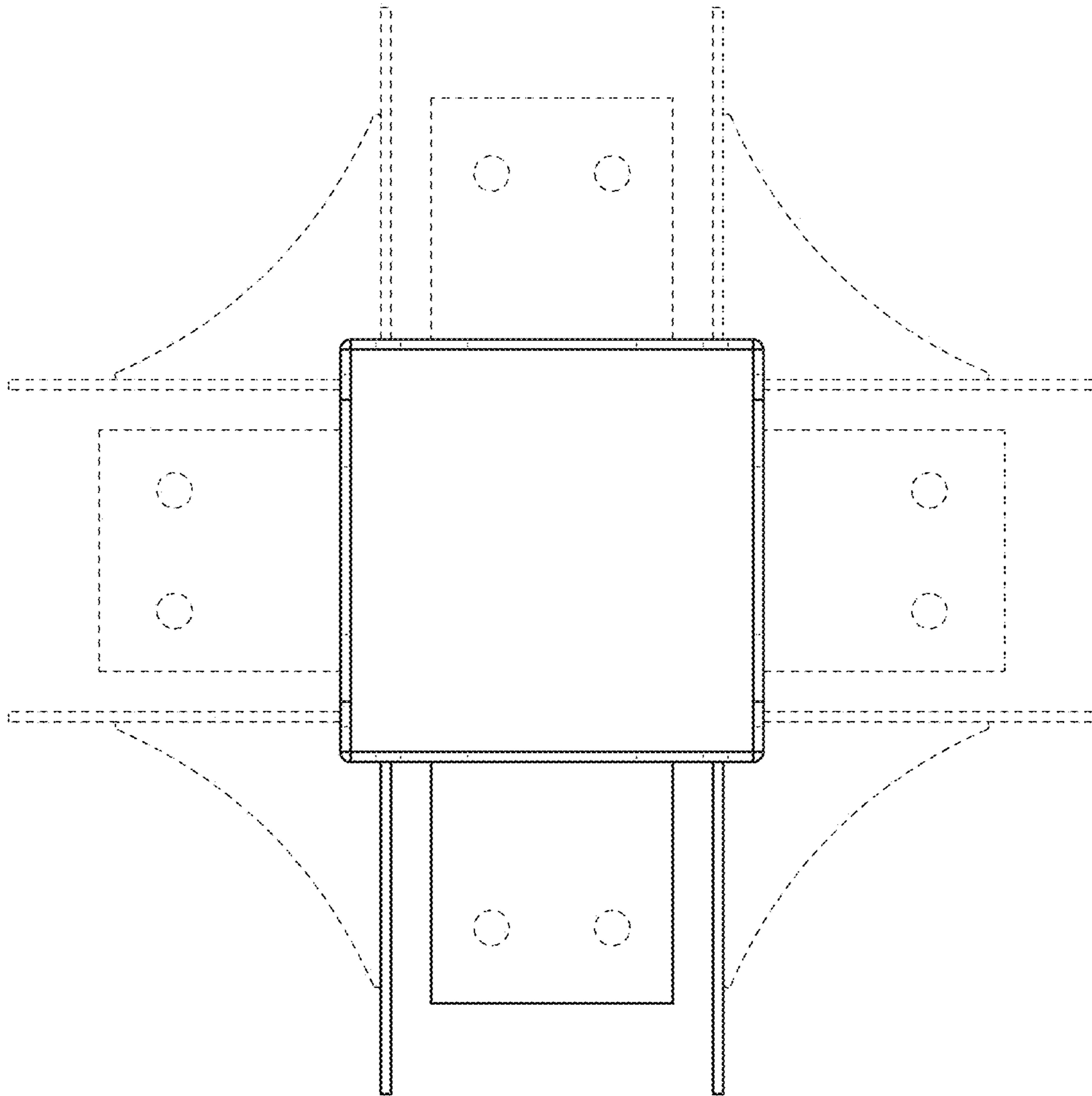
*FIG. 14*



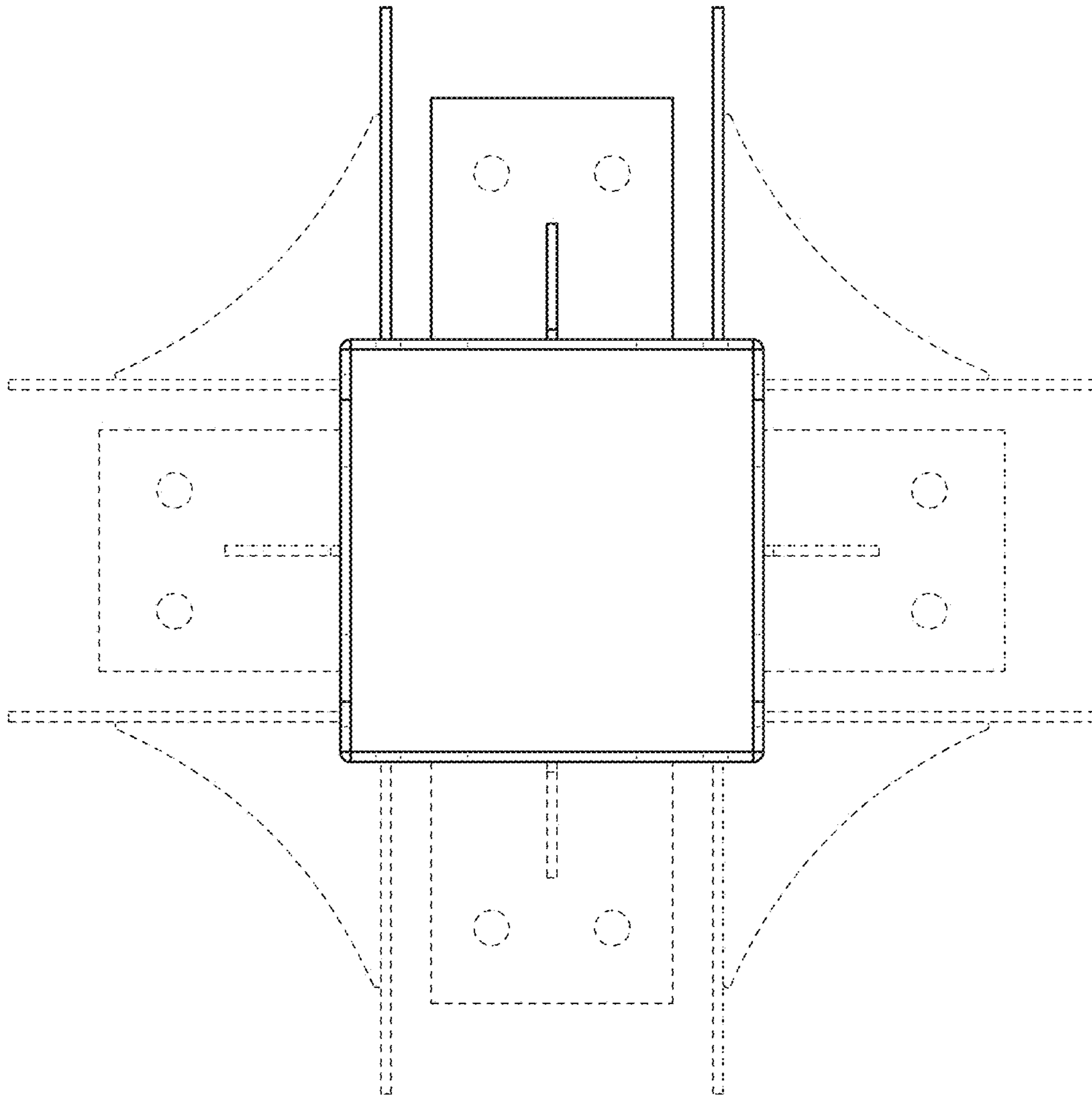
*FIG. 15*



*FIG. 16*



*FIG. 17*



*FIG. 18*