



US00D912495S

(12) **United States Design Patent** (10) **Patent No.:** **US D912,495 S**
Jones et al. (45) **Date of Patent:** **** Mar. 9, 2021**

(54) **BRACKET**
(71) Applicant: **CATERPILLAR INC.**, Peoria, IL (US)
(72) Inventors: **Douglas E. Jones**, Lafayette, IN (US);
Ryan F. Spesard, Camden, IN (US);
Joseph V. Pejril, Lafayette, IN (US);
Matthew E. Poulsen, Lafayette, IN (US)

D807,372 S * 1/2018 Harris D14/448
D840,441 S * 2/2019 Serrurier D15/29
10,364,934 B1 7/2019 Jones et al.
D871,891 S * 1/2020 Emanuel D8/349
D880,278 S * 4/2020 Jaramillo D8/354
D880,991 S * 4/2020 Netke D8/382
D887,991 S * 6/2020 Liao D13/154
D888,785 S * 6/2020 Sinn D15/29
D896,616 S * 9/2020 Akbar D8/349

(73) Assignee: **Caterpillar Inc.**, Peoria, IL (US)
(**) Term: **15 Years**

FOREIGN PATENT DOCUMENTS
CN 302028104 8/2012
CN 302604783 10/2013
IN 260505-0001 1/2015
IN 294696-0001 9/2017

(21) Appl. No.: **29/719,990**
(22) Filed: **Jan. 9, 2020**
(51) **LOC (13) Cl.** **08-08**
(52) **U.S. Cl.**
USPC **D8/349**
(58) **Field of Classification Search**
USPC D8/349, 354, 364, 382, 394, 395;
D14/432-461
CPC G06F 1/1616; G06F 1/1626; G06F 1/1632;
H01M 10/44; F16M 11/10; H02J 7/0042;
H02J 7/00; H02J 7/0027; H02J 7/0044;
H02J 7/0045; H02J 7/355; H01R 31/065
See application file for complete search history.

* cited by examiner

Primary Examiner — Mark A Goodwin
Assistant Examiner — Benjamin M Weeks
(74) *Attorney, Agent, or Firm* — Finnegan, Henderson,
Farabow, Garrett & Dunner, LLP

(56) **References Cited**

U.S. PATENT DOCUMENTS

6,533,230 B2 3/2003 Fullenkamp et al.
D500,665 S * 1/2005 Sorokin D8/354
D647,784 S * 11/2011 McNamara D8/349
D671,864 S * 12/2012 Keyaki D11/221
8,777,300 B2 7/2014 Kim et al.
D727,367 S * 4/2015 Renski D15/28
D727,368 S * 4/2015 Renski D15/29
9,243,740 B2 1/2016 Williams et al.
D772,694 S * 11/2016 Rose D8/349
D775,242 S * 12/2016 Balan D15/29
D806,141 S * 12/2017 Serrurier D15/29

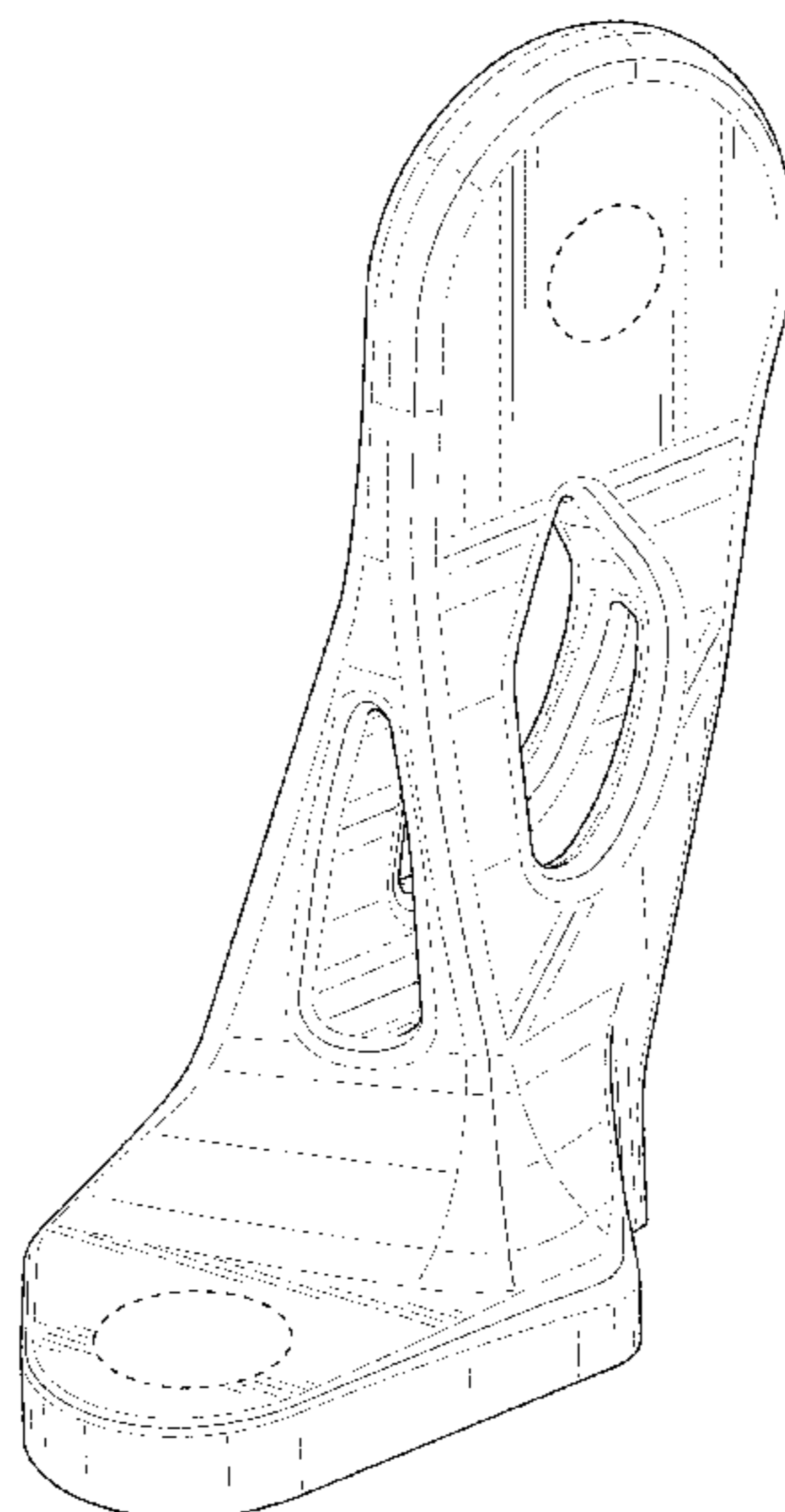
(57) **CLAIM**

The ornamental design for a bracket, as shown and described.

DESCRIPTION

FIG. 1 is a front, top, right perspective view of a bracket showing the new design;
FIG. 2 is a rear, bottom, left perspective view thereof;
FIG. 3 is front elevation view thereof;
FIG. 4 is a rear elevation view thereof;
FIG. 5 is a left-side elevation view thereof;
FIG. 6 is a right-side elevation view thereof;
FIG. 7 is a top plan view thereof; and,
FIG. 8 is a bottom plan view thereof.
The claimed design includes the mirror image of each bracket design depicted in FIGS. 1 to 8. The broken lines of even length shown in the drawings illustrate portions of the bracket that form no part of the claimed design.

1 Claim, 8 Drawing Sheets



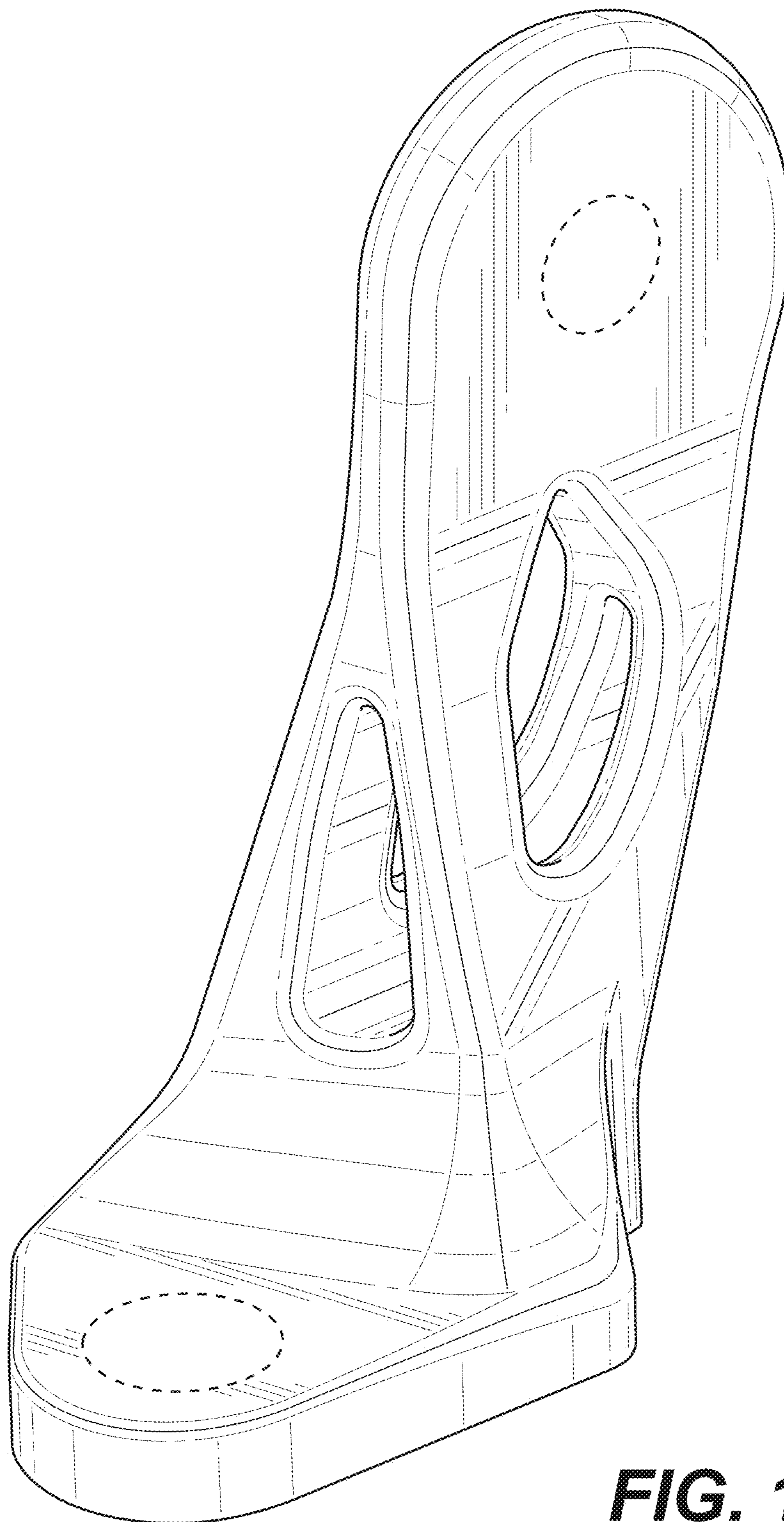


FIG. 1

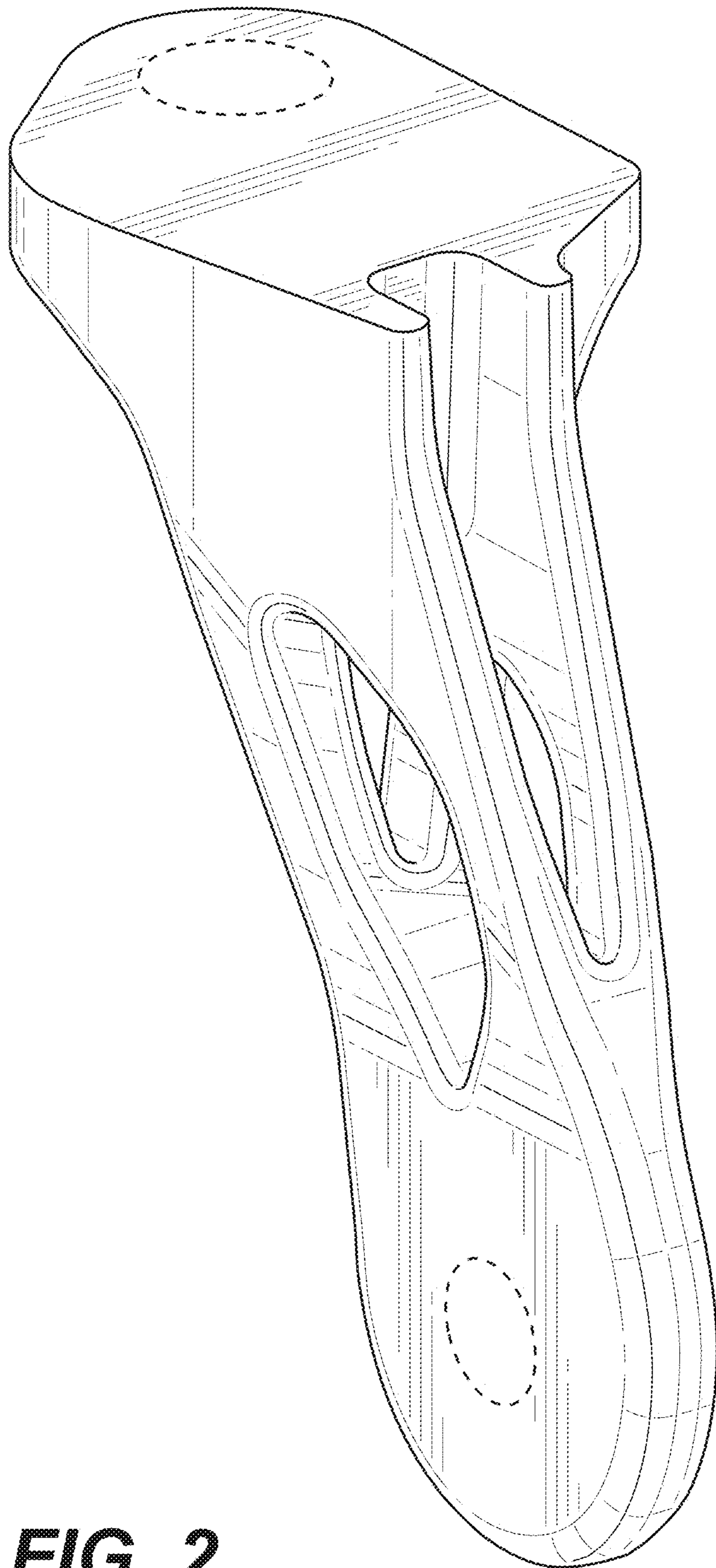


FIG. 2

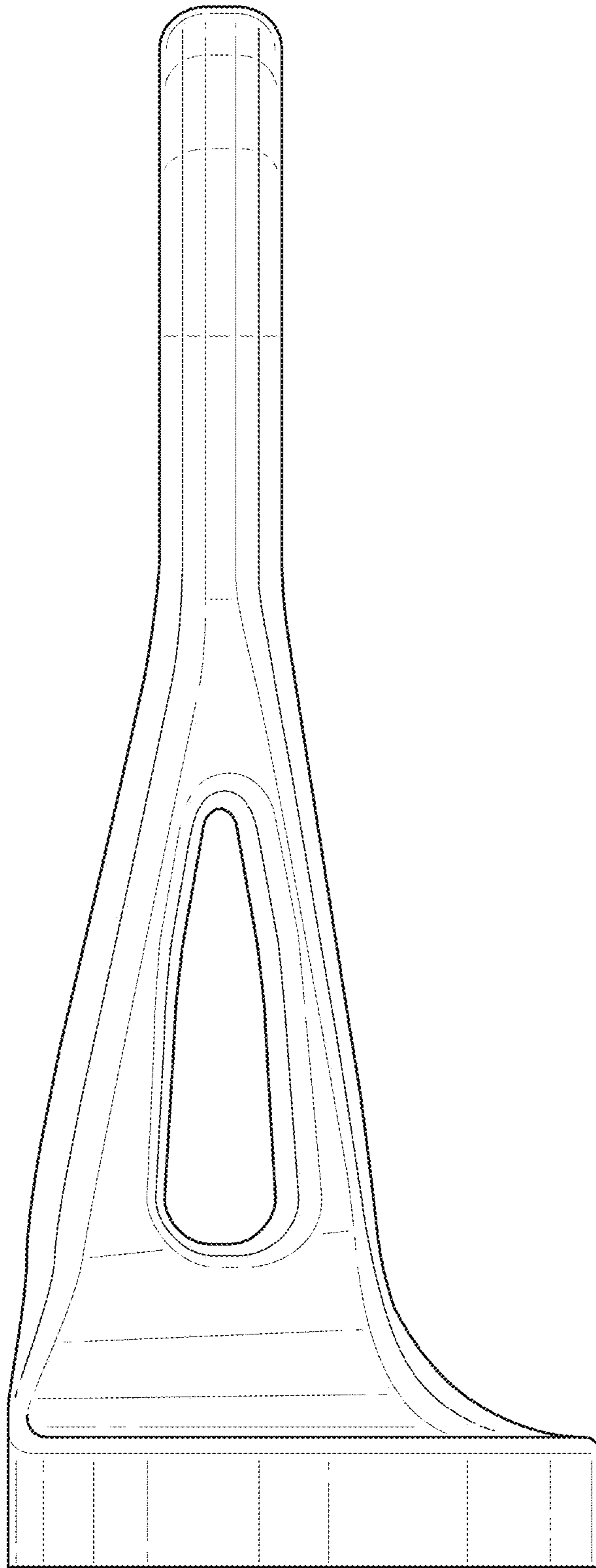


FIG. 3

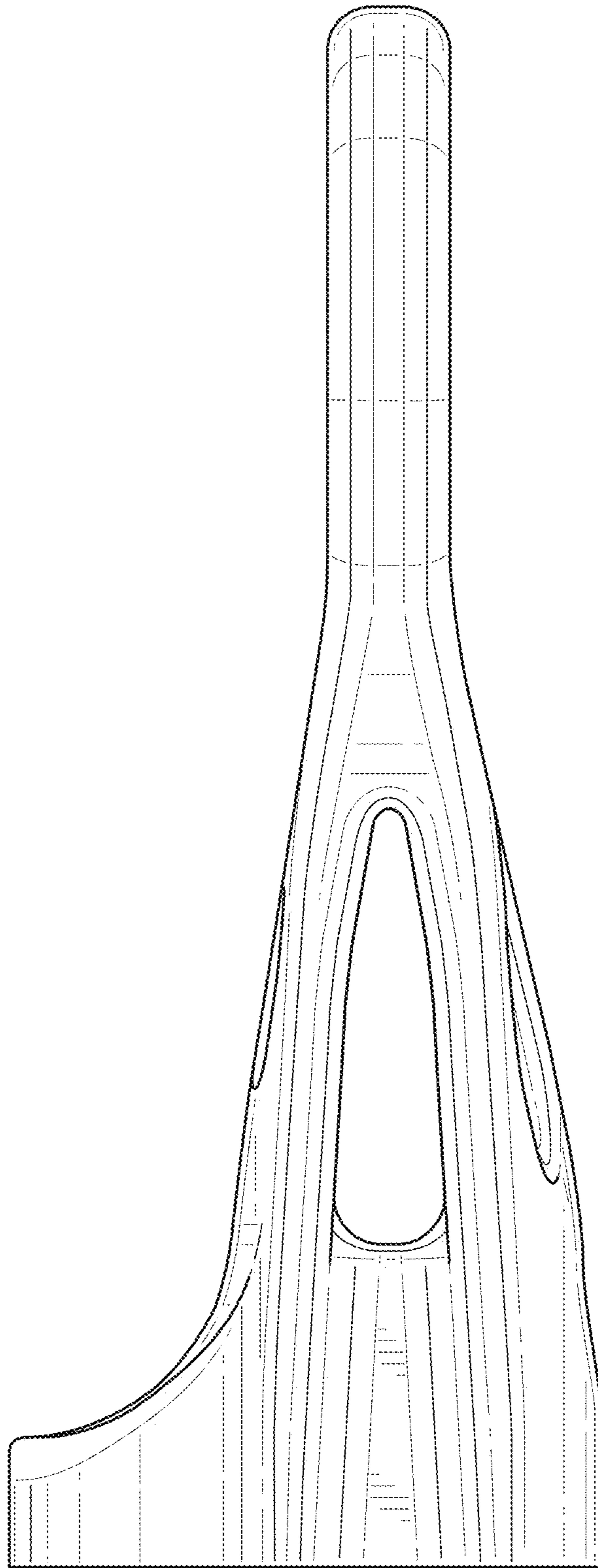


FIG. 4

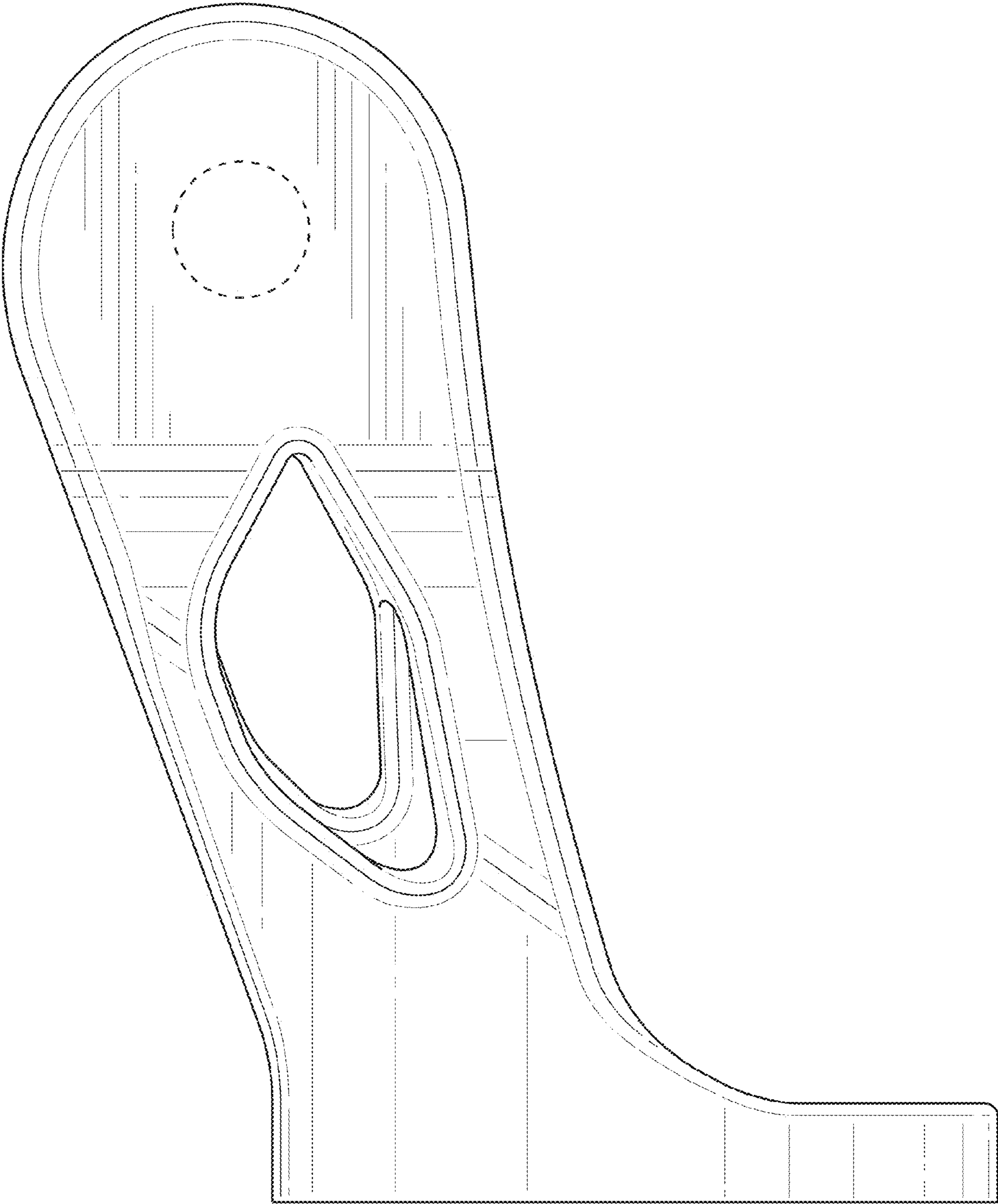


FIG. 5

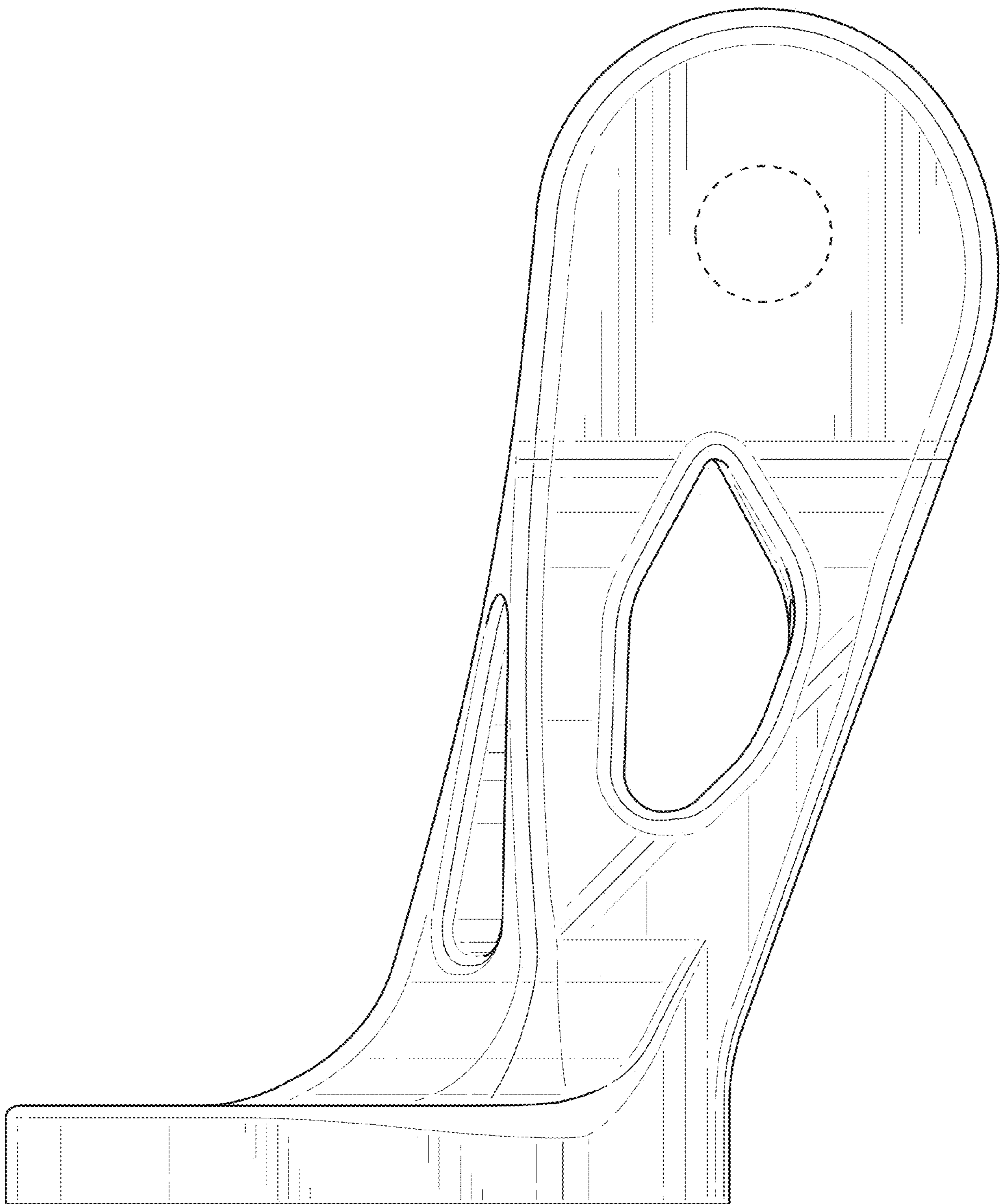


FIG. 6

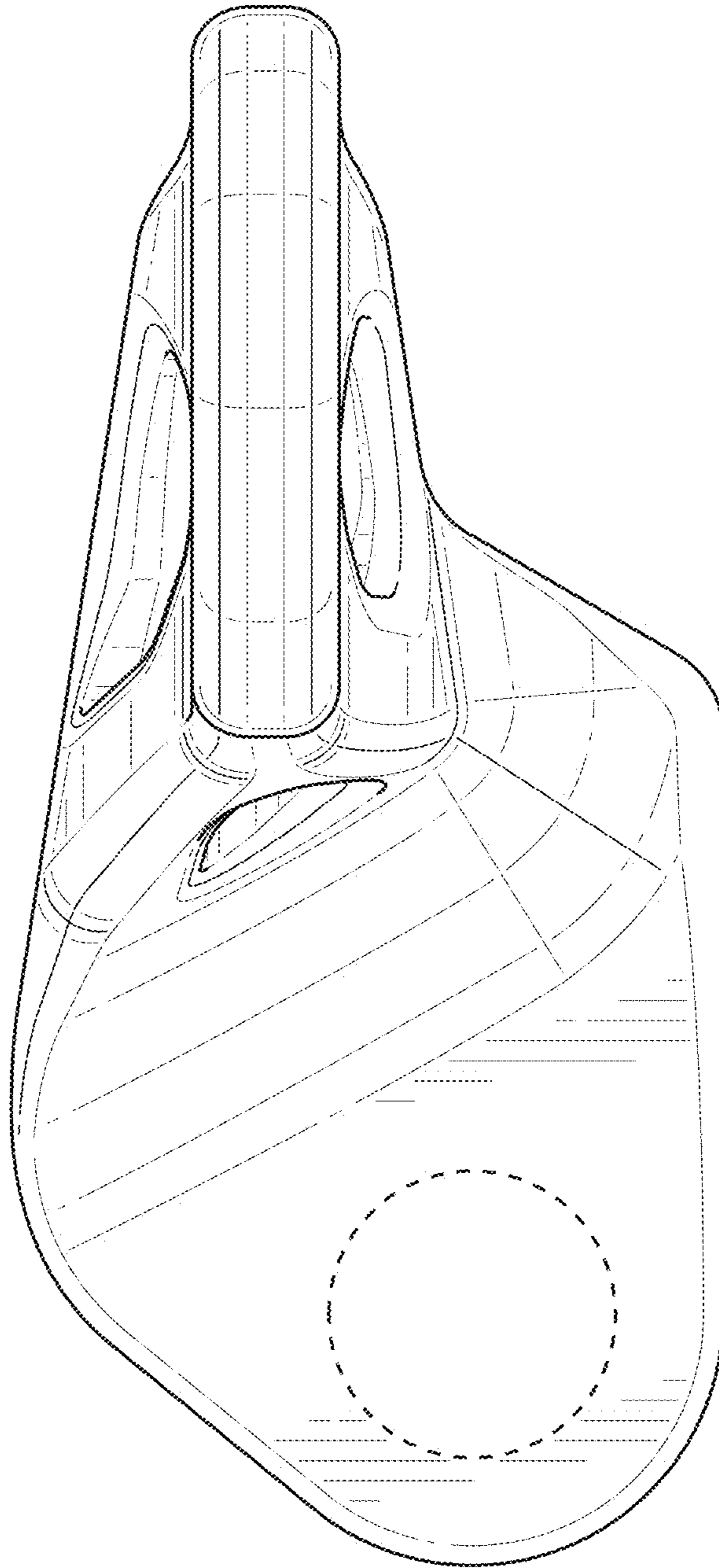


FIG. 7

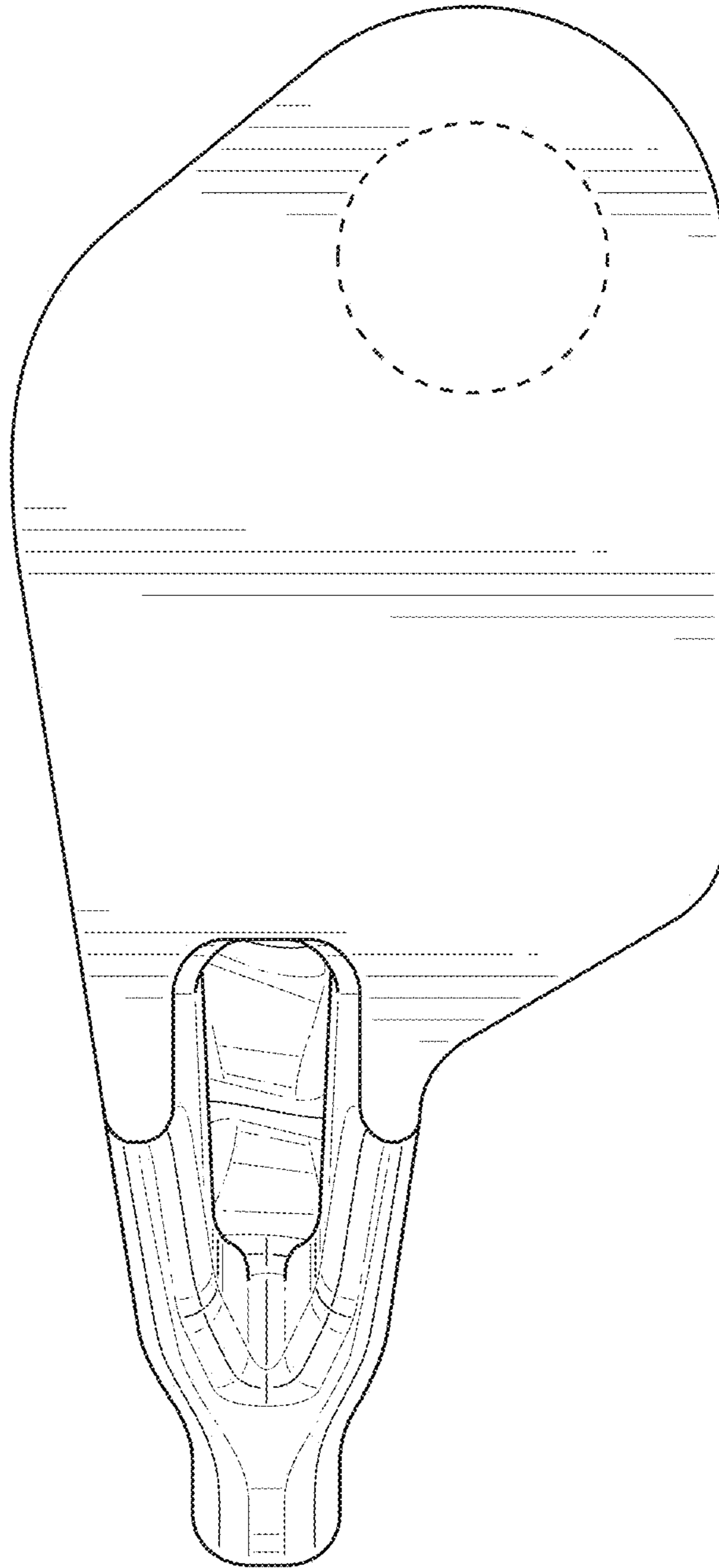


FIG. 8