



US00D912494S

(12) **United States Design Patent**  
**Landon**

(10) **Patent No.:** **US D912,494 S**  
(45) **Date of Patent:** **\*\* Mar. 9, 2021**

- (54) **BASEPLATE**
- (71) Applicant: **DEXION (NEW ZEALAND) LIMITED**, Auckland (NZ)
- (72) Inventor: **Craig William Landon**, Auckland (NZ)
- (73) Assignee: **DEXION (NEW ZEALAND) LIMITED**, Auckland (NZ)
- (\*\*) Term: **15 Years**
- (21) Appl. No.: **29/669,249**
- (22) Filed: **Nov. 7, 2018**
- (30) **Foreign Application Priority Data**  
  - May 10, 2018 (NZ) ..... 424443
- (51) **LOC (13) Cl.** ..... **08-08**
- (52) **U.S. Cl.**  
USPC ..... **D8/349**
- (58) **Field of Classification Search**  
  - USPC ..... D8/349, 350–353, 354, 355, 363, D8/373–377; D25/119–123
  - CPC .. A47F 5/00; A47H 1/10; A47G 29/00; A47G 29/08; A47B 97/00; A47K 3/14
  - See application file for complete search history.

- D563,771 S \* 3/2008 Prechtel ..... D8/354
- D565,940 S \* 4/2008 Holt ..... D8/377
- D579,321 S \* 10/2008 Townley ..... D8/354
- D629,987 S \* 12/2010 D’Ulisse ..... D32/58
- D672,287 S \* 12/2012 Noble ..... D12/159
- 9,068,355 B1 \* 6/2015 Ksiezopolski ..... A47G 27/045
- D739,221 S \* 9/2015 Sendra-Gonzalez ... F24S 25/30  
D8/394
- D764,075 S \* 8/2016 Honda ..... D25/119
- D889,247 S \* 7/2020 Baltz, Jr. .... E04F 19/0481  
D8/349
- D893,983 S \* 8/2020 Falca ..... D8/349
- D900,591 S \* 11/2020 Schwarzmann ..... D8/349

\* cited by examiner

*Primary Examiner* — Mark A Goodwin  
*Assistant Examiner* — Benjamin M Weeks  
(74) *Attorney, Agent, or Firm* — Nixon & Vanderhye

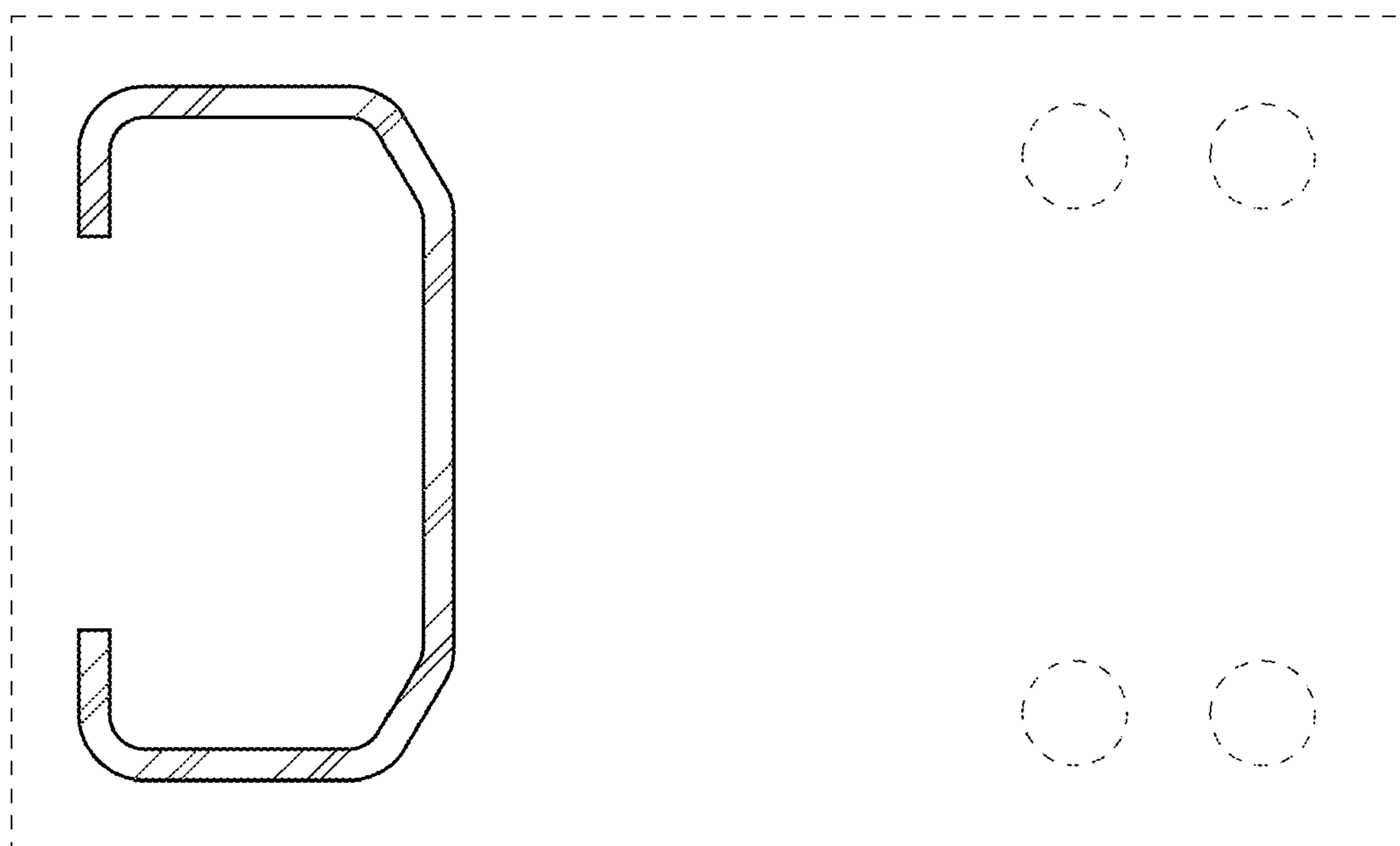
(57) **CLAIM**

I claim the ornamental design for a baseplate, as shown and described.

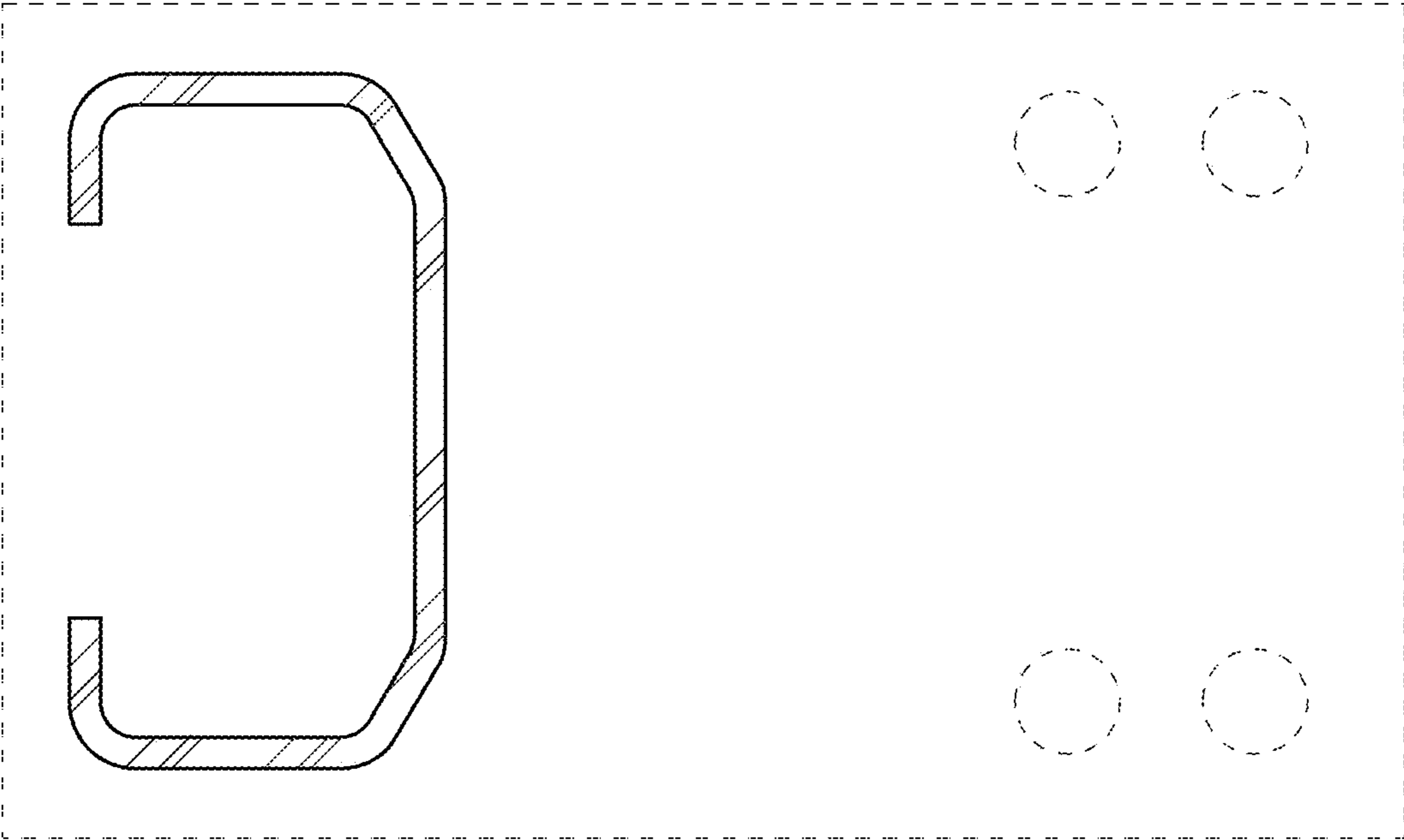
**DESCRIPTION**

FIG. 1 is a top plan view of a baseplate showing the new design;  
FIG. 2 is a front elevation view thereof;  
FIG. 3 is a left side elevation view thereof;  
FIG. 4 is a right side elevation view thereof;  
FIG. 5 is a rear elevation view thereof;  
FIG. 6 is a bottom plan view thereof; and,  
FIG. 7 is a top, right side, and front perspective view thereof.  
The broken lines shown in the drawings illustrate portions of the baseplate that form no part of the claimed design.

**1 Claim, 7 Drawing Sheets**

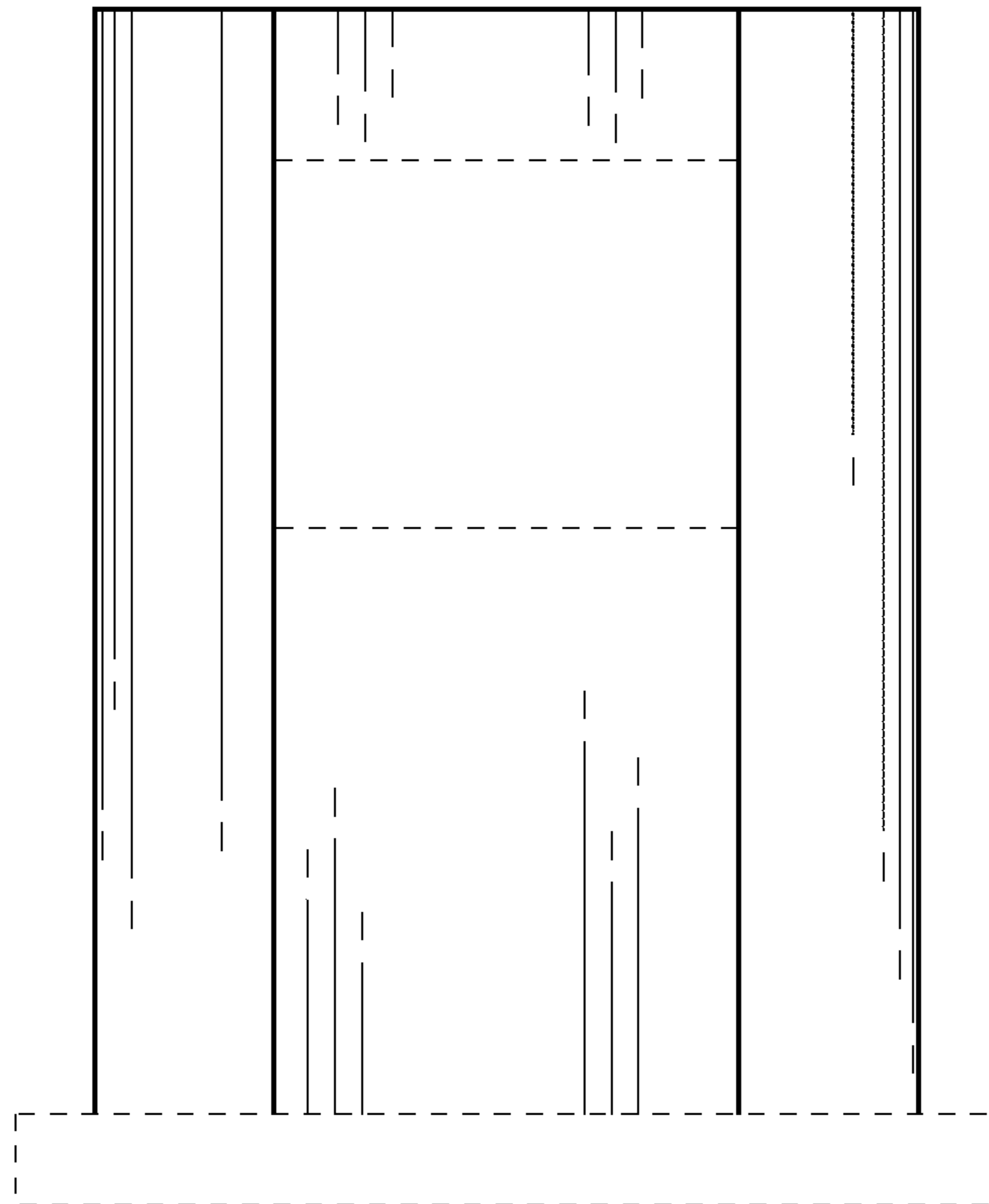


**TOP PLAN VIEW**



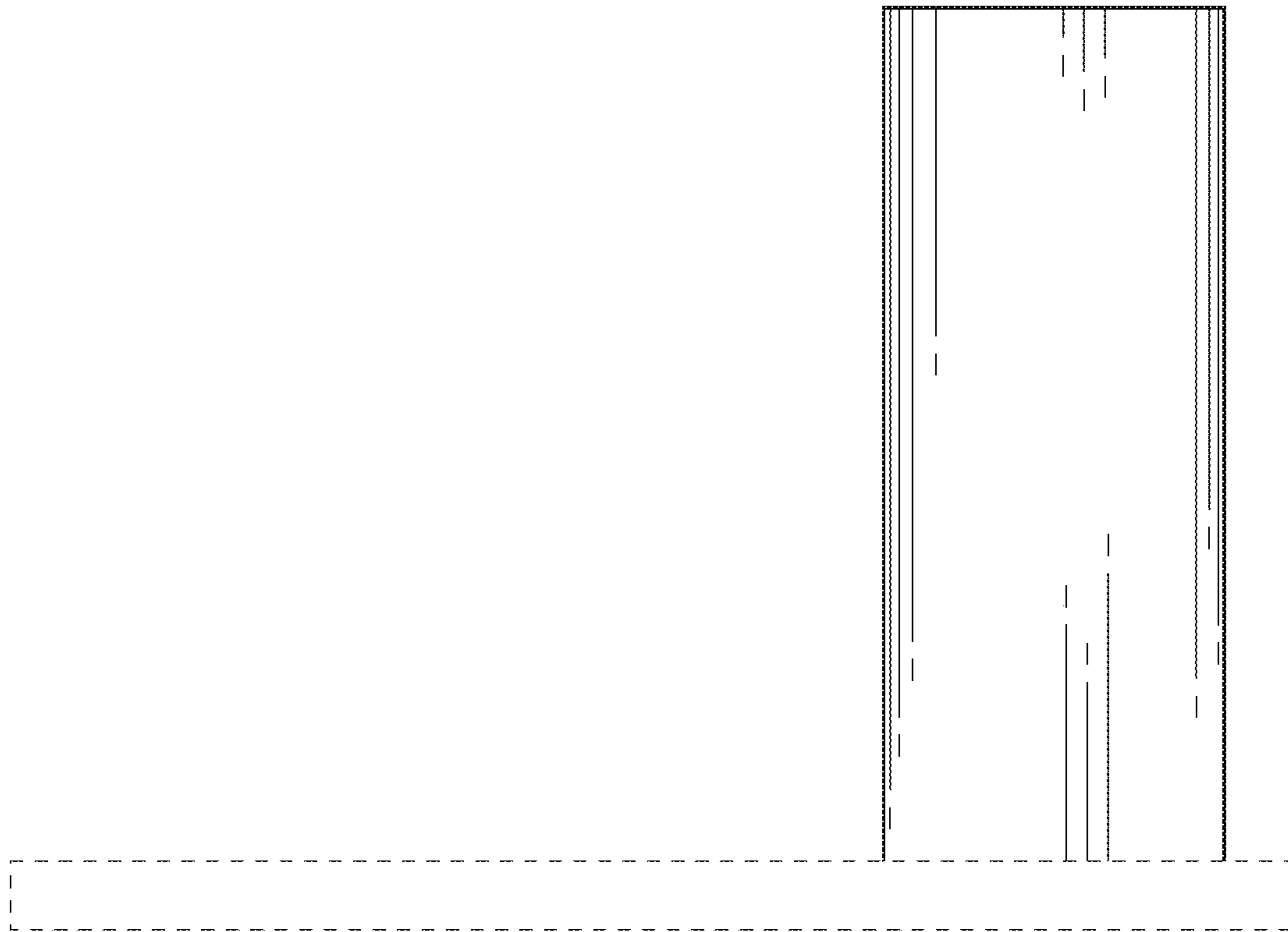
**TOP PLAN VIEW**

FIG. 1



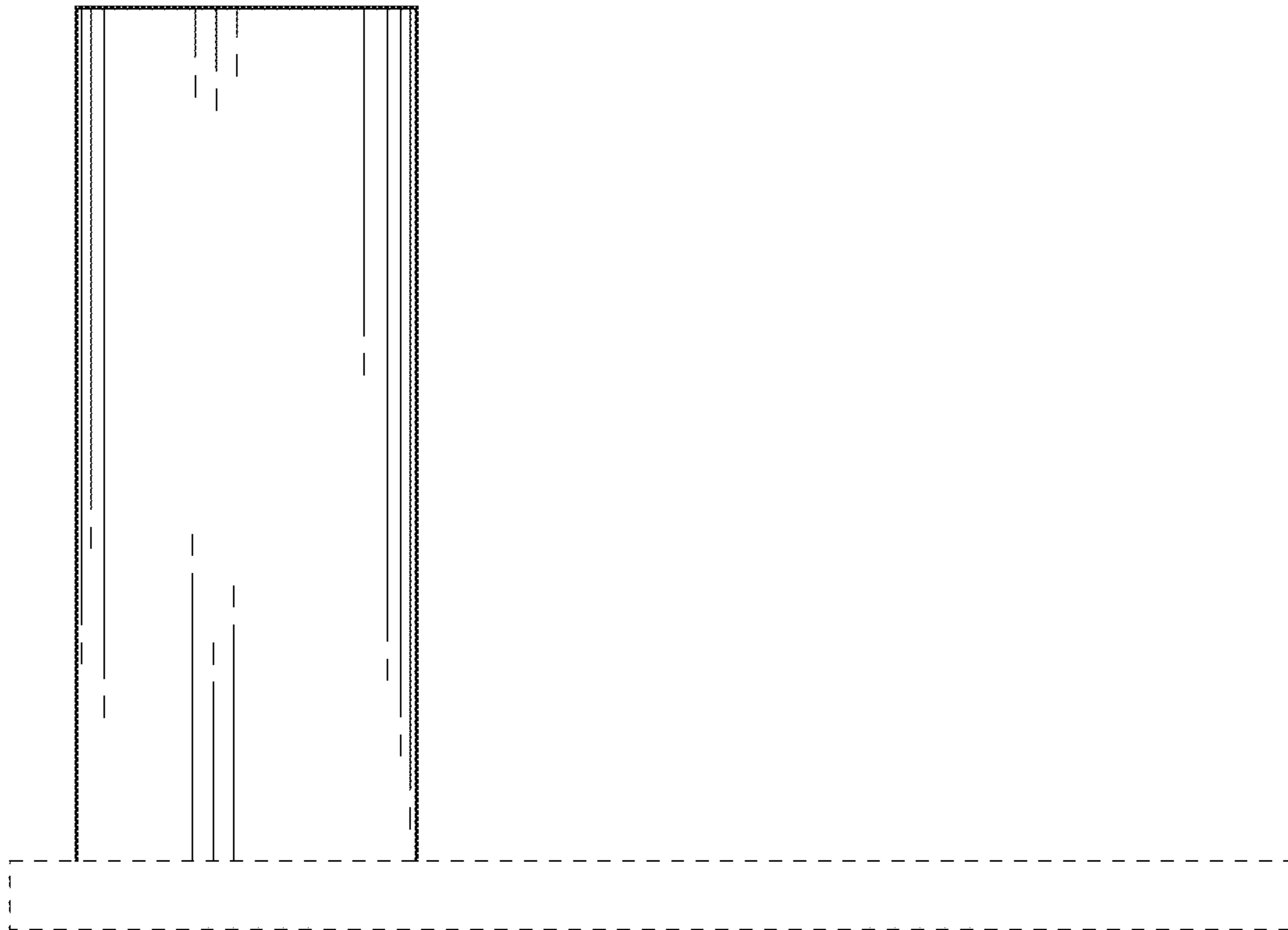
**FRONT ELEVATION VIEW**

FIG. 2



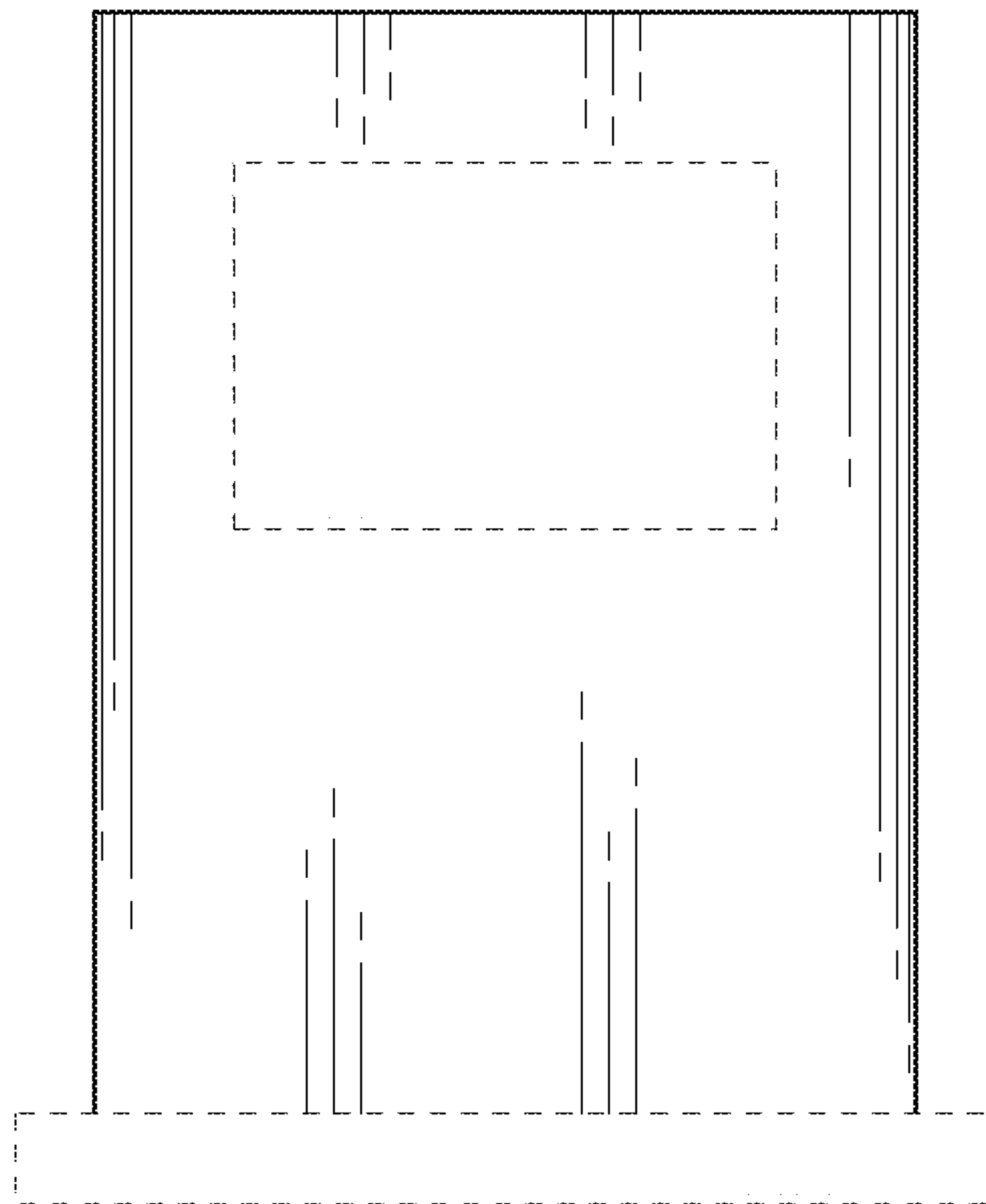
**LEFT SIDE ELEVATION VIEW**

FIG. 3



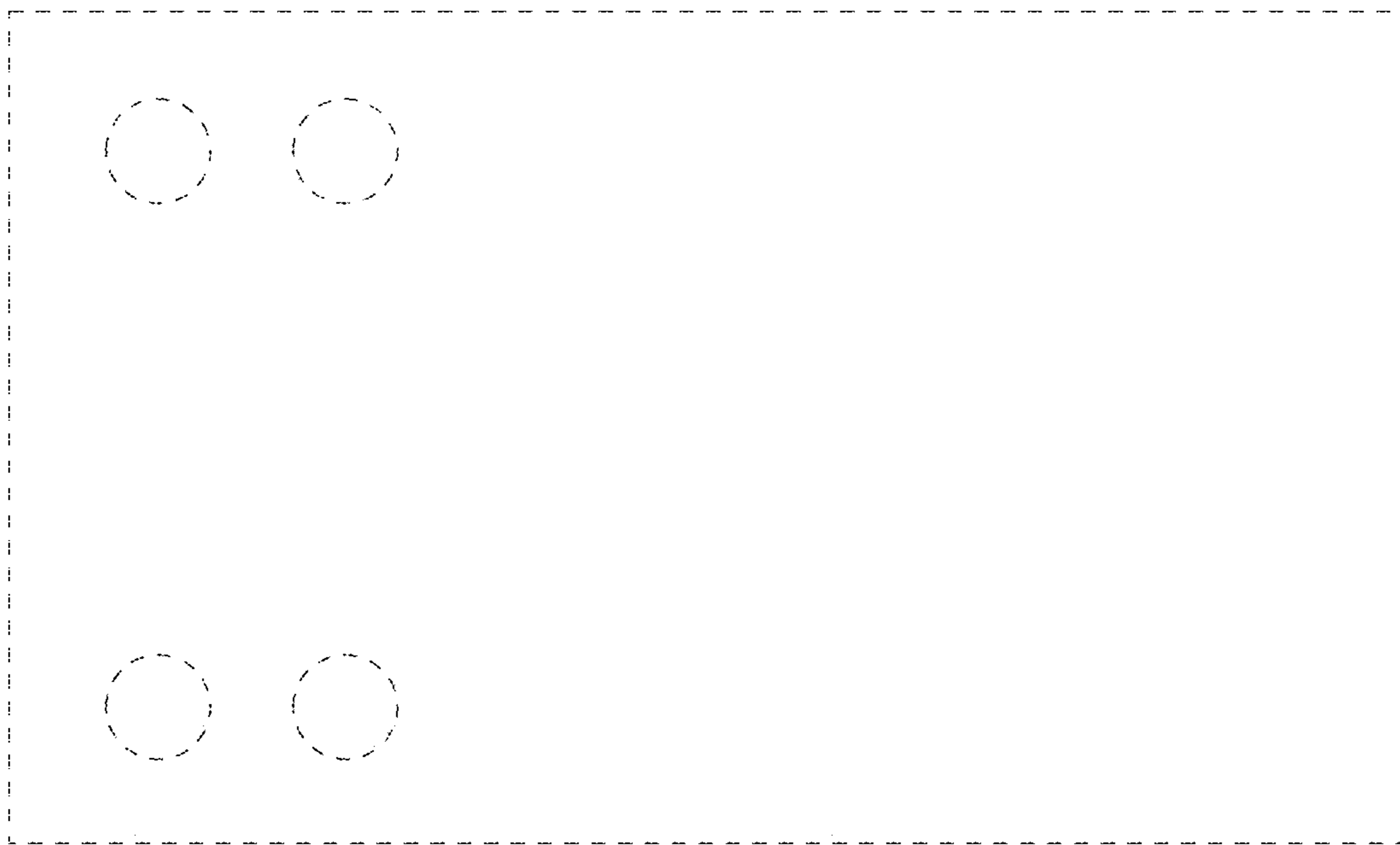
**RIGHT SIDE ELEVATION VIEW**

FIG. 4



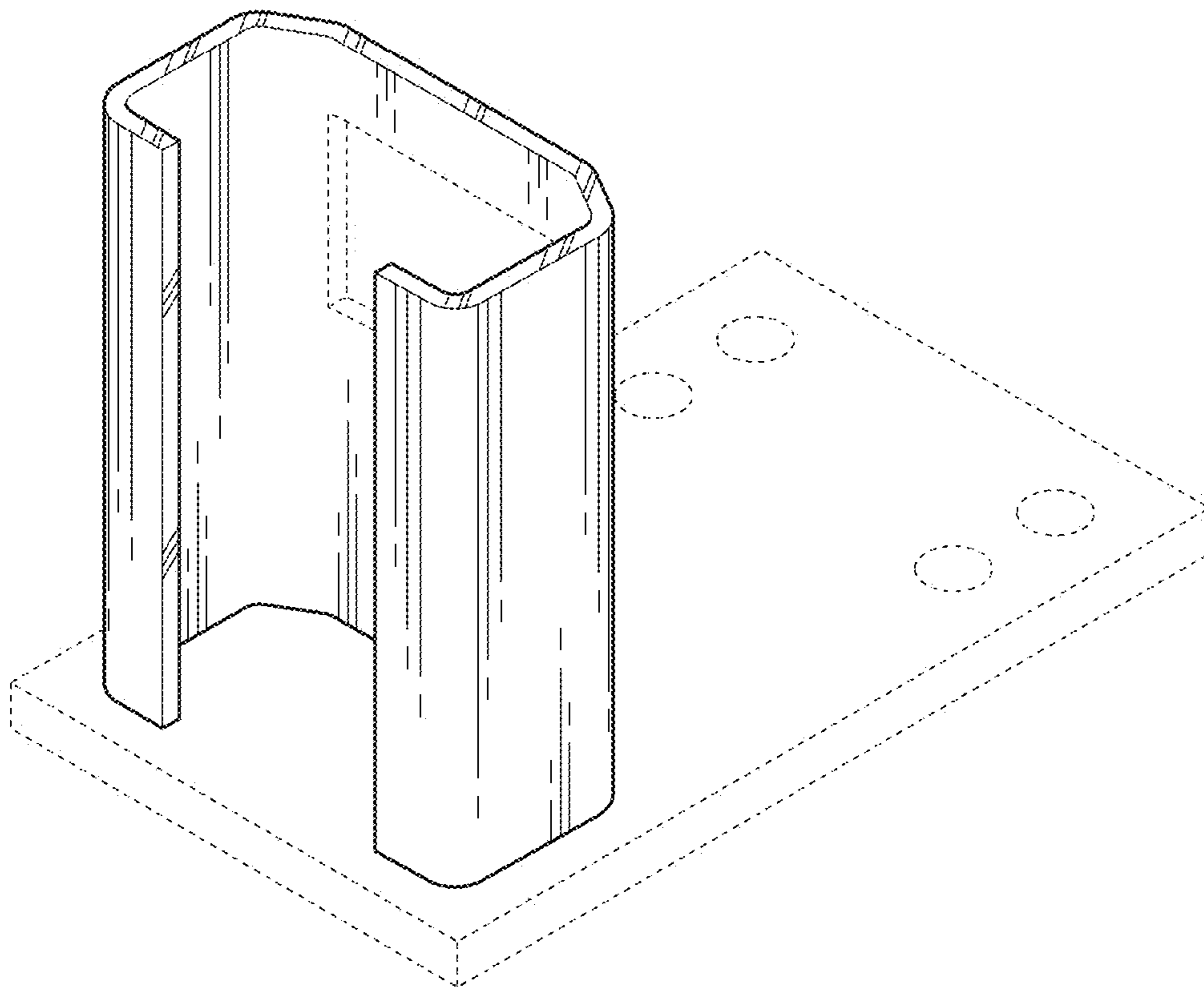
**BACK ELEVATION VIEW**

FIG. 5



**BOTTOM PLAN VIEW**

FIG. 6



**TOP PERSPECTIVE VIEW**

FIG. 7