



US00D912493S

(12) **United States Design Patent** (10) **Patent No.:** **US D912,493 S**  
**Choe et al.** (45) **Date of Patent:** **\*\* Mar. 9, 2021**

(54) **DIGITAL DOOR LOCK**

292/0834; Y10T 292/096; E05B 47/00;  
E05B 63/0056; E04H 12/003; G05B  
2219/2642

(71) Applicant: **LG ELECTRONICS INC.**, Seoul  
(KR)

See application file for complete search history.

(72) Inventors: **Sharim Choe**, Seoul (KR); **Jinwan Bae**, Seoul (KR); **Hyunchul Kim**, Seoul (KR); **Jonghak Lee**, Seoul (KR); **Joungyoung Joung**, Seoul (KR)

(56) **References Cited**

U.S. PATENT DOCUMENTS

D219,861	S	*	2/1971	Coffman	.....	D8/308
D348,307	S	*	6/1994	Gottwald	.....	D23/252
D388,865	S	*	1/1998	Fleischmann	.....	D23/252
D410,737	S	*	6/1999	Gottwald	.....	D23/252
D462,111	S	*	8/2002	Turnau, III	.....	D23/252
D579,528	S	*	10/2008	Citterio	.....	D23/252
D602,574	S	*	10/2009	Downey	.....	D23/252
D674,057	S	*	1/2013	Lord	.....	D23/252
D691,451	S	*	10/2013	Weathersby	.....	D8/302
D700,039	S	*	2/2014	Kim	.....	D8/331
D709,351	S	*	7/2014	Le	.....	D8/331
D740,919	S	*	10/2015	Flowers	.....	D23/252
D754,824	S	*	4/2016	Byron	.....	D23/254

(73) Assignee: **LG ELECTRONICS INC.**, Seoul  
(KR)

(\*\*) Term: **15 Years**

(21) Appl. No.: **35/507,595**

(22) Filed: **Feb. 26, 2019**

\* cited by examiner

(80) **Hague Agreement Data**

Int. Filing Date: **Feb. 26, 2019**

Int. Reg. No.: **DM/203623**

Int. Reg. Date: **Feb. 26, 2019**

Int. Reg. Pub. Date: **Nov. 1, 2019**

*Primary Examiner* — Nathaniel D. Buckner

(74) *Attorney, Agent, or Firm* — Birch, Stewart, Kolasch & Birch, LLP

(30) **Foreign Application Priority Data**

Sep. 13, 2018 (KR) ..... 30-2018-0042866

(51) **LOC (13) Cl.** ..... **08-07**

(52) **U.S. Cl.**  
USPC ..... **D8/331**

(58) **Field of Classification Search**  
USPC ..... D8/331, 330, 350, 308, 352, 301, 302,  
D8/353, 343, 300, 334, 341; D10/104.1,  
D10/118.2; D13/171; D14/455;  
D23/252, 254; D99/43

CPC ..... G07C 9/00309; G07C 9/00174; G07C  
9/00817; G07C 9/00896; Y10T 70/7062;  
Y10T 70/5226; Y10T 70/542; Y10T

(57) **CLAIM**

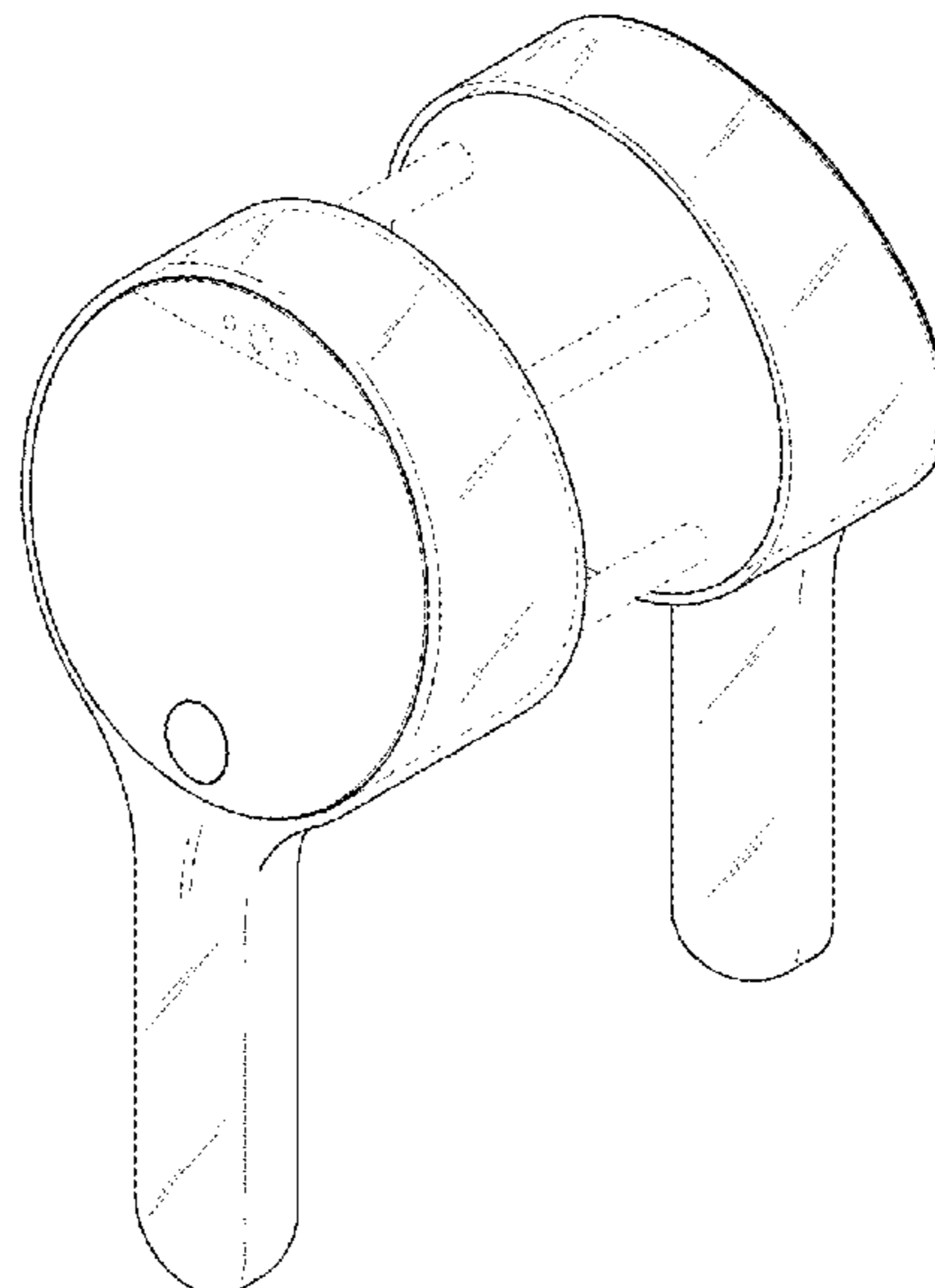
The ornamental design for digital door lock, as shown and described.

**DESCRIPTION**

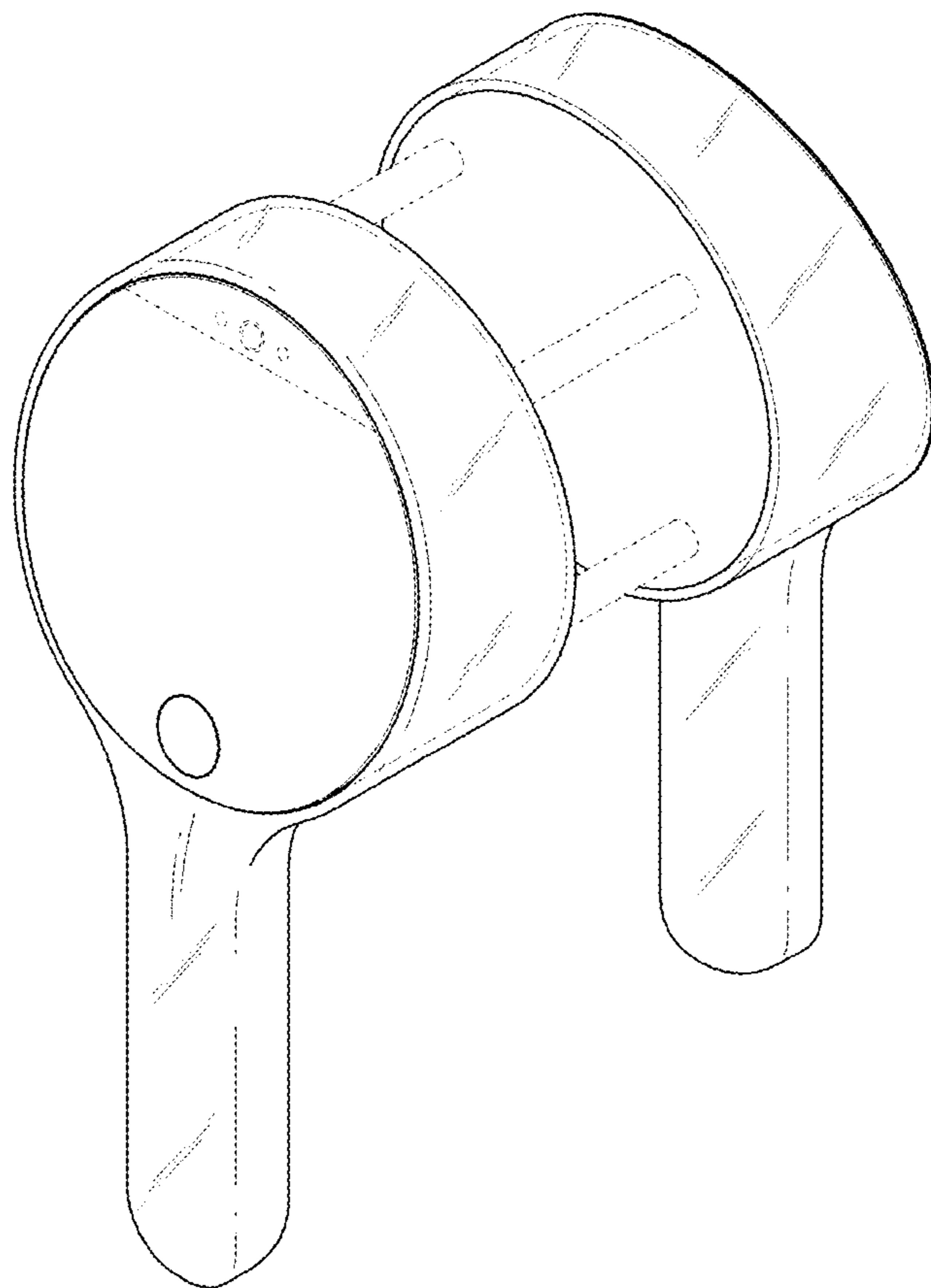
- 1. Digital door lock
- 1.1 : Perspective
- 1.2 : Front
- 1.3 : Back
- 1.4 : Left
- 1.5 : Right
- 1.6 : Top
- 1.7 : Bottom

The broken lines indicate portions of the article that form no part of the claimed design.

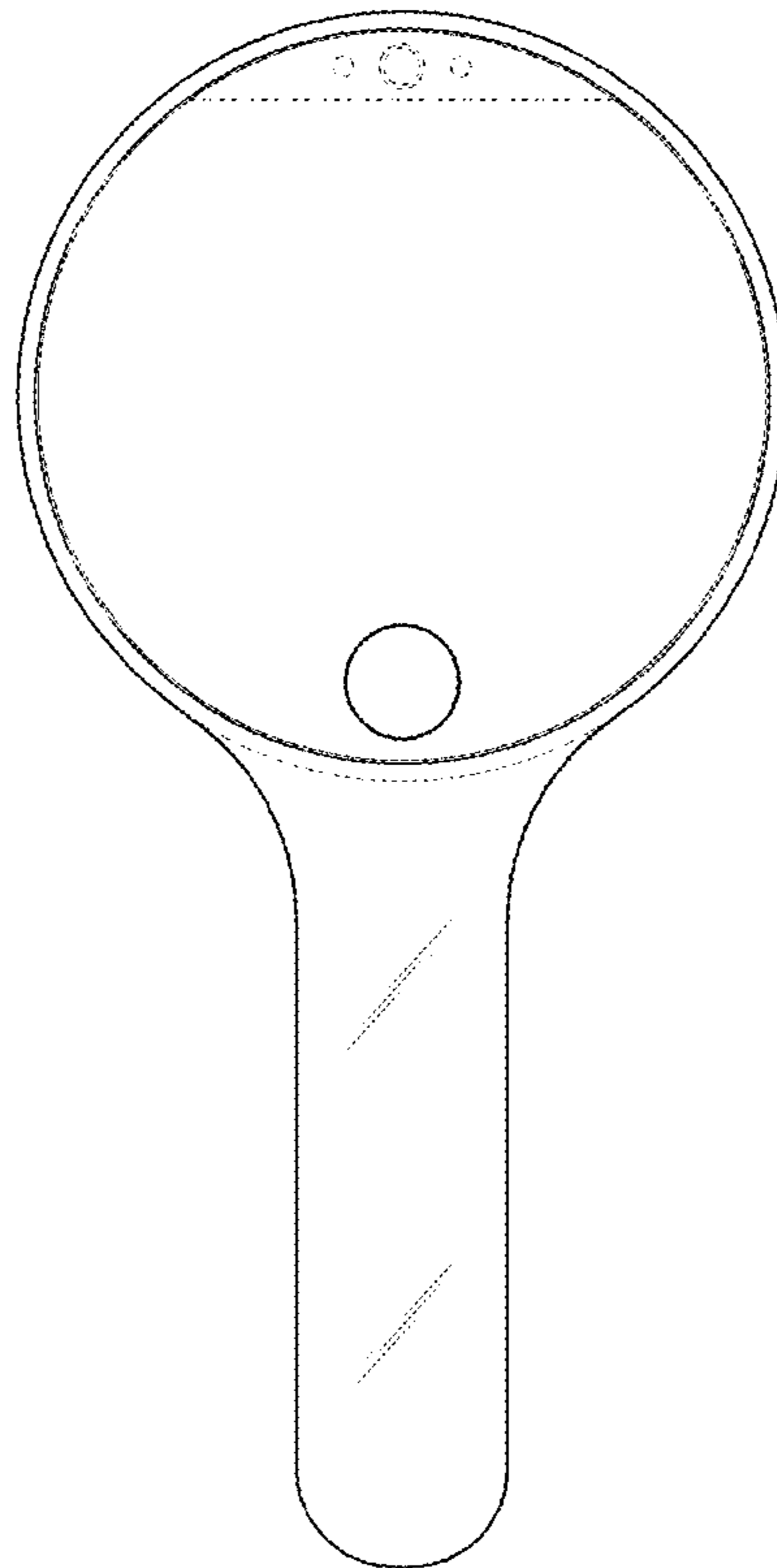
**1 Claim, 7 Drawing Sheets**



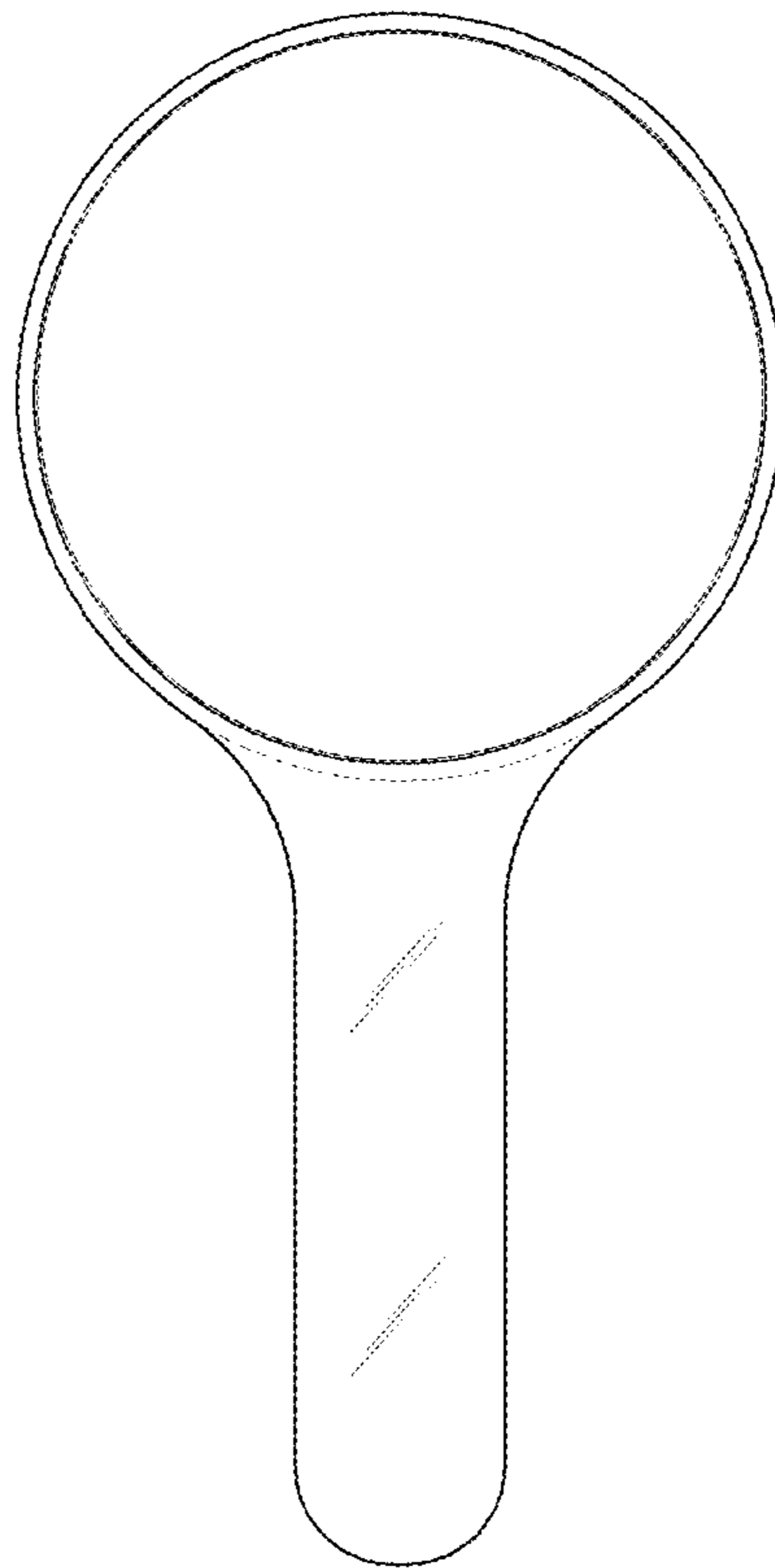
1.1



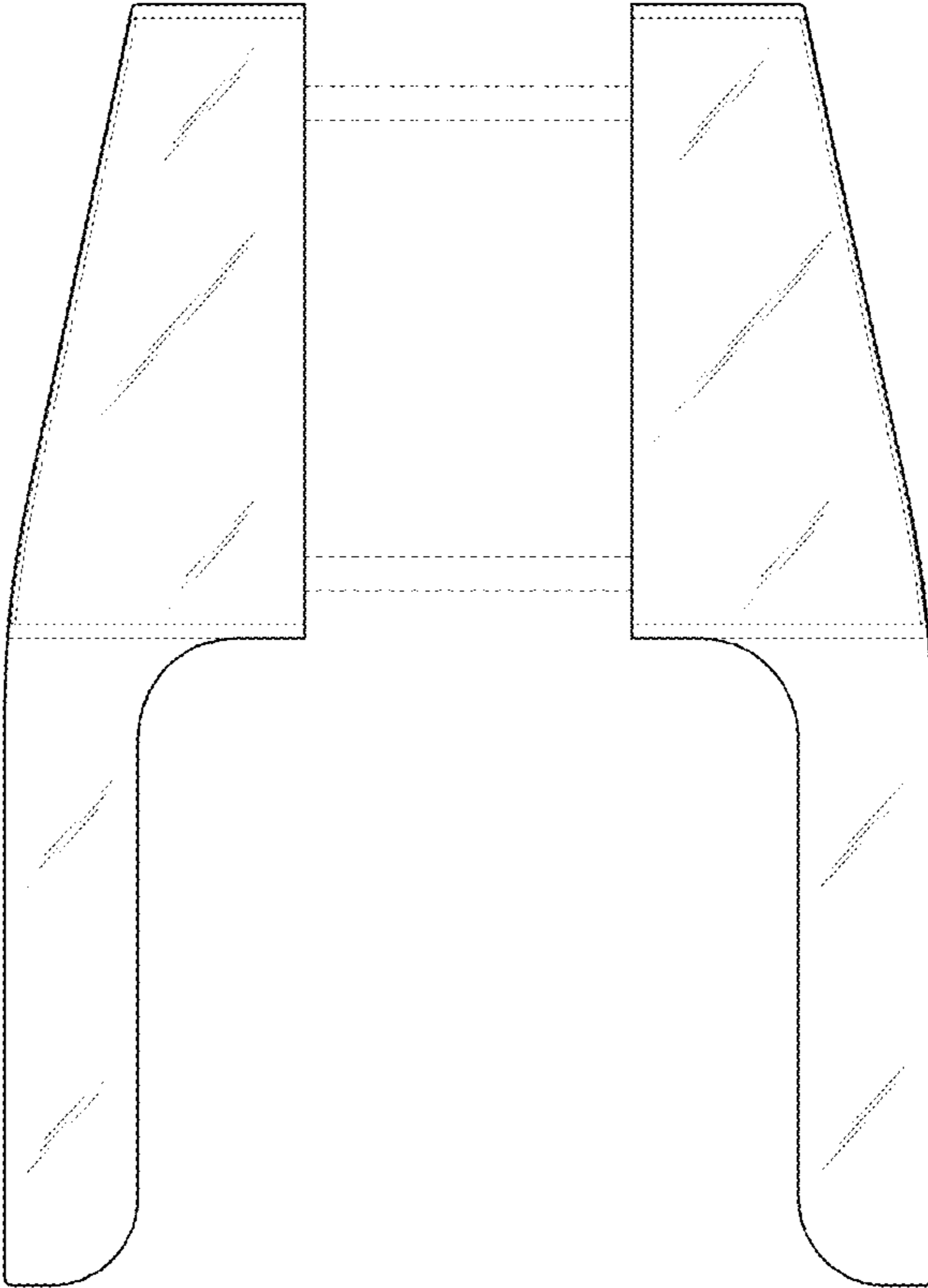
1.2



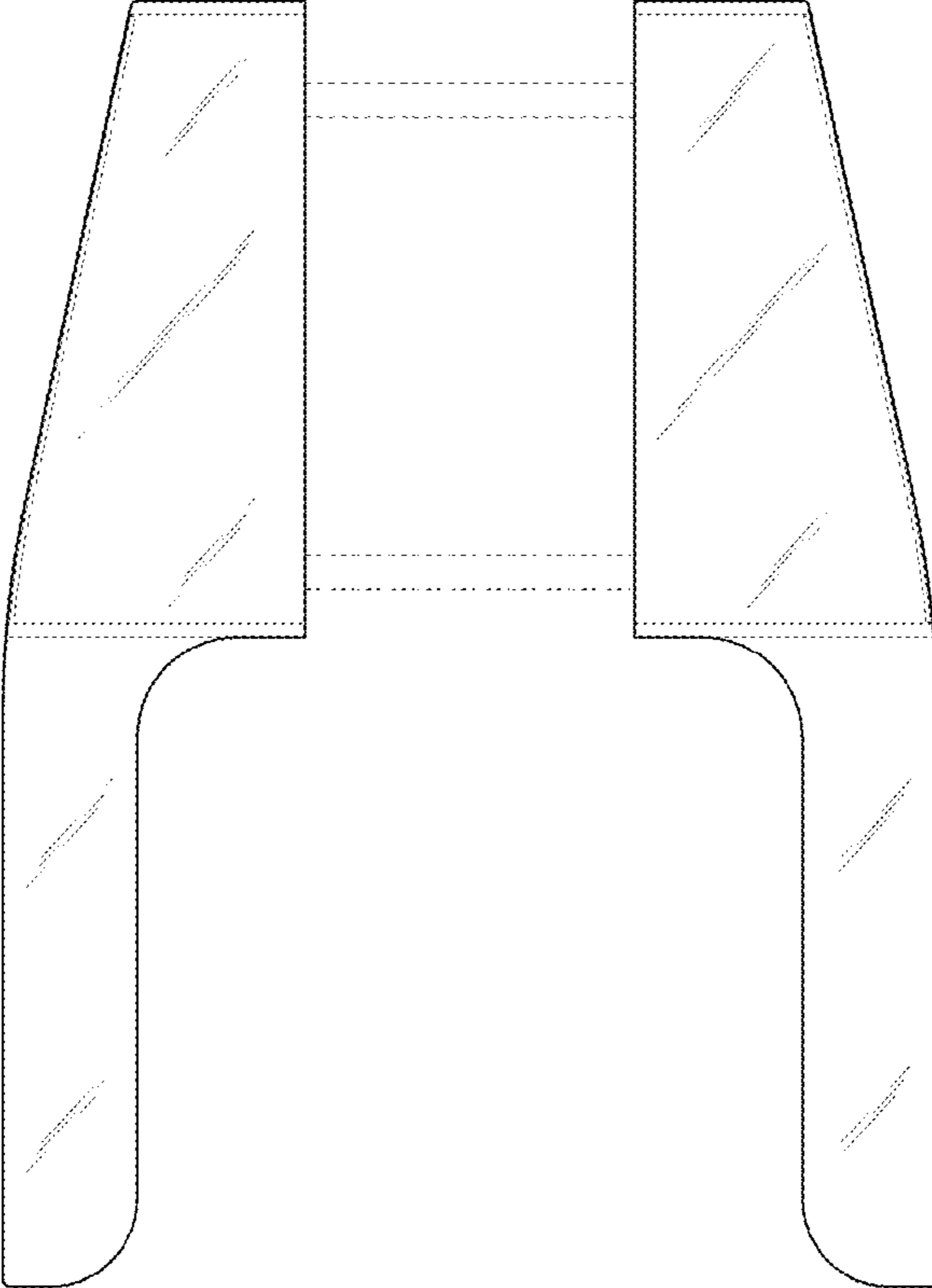
1.3



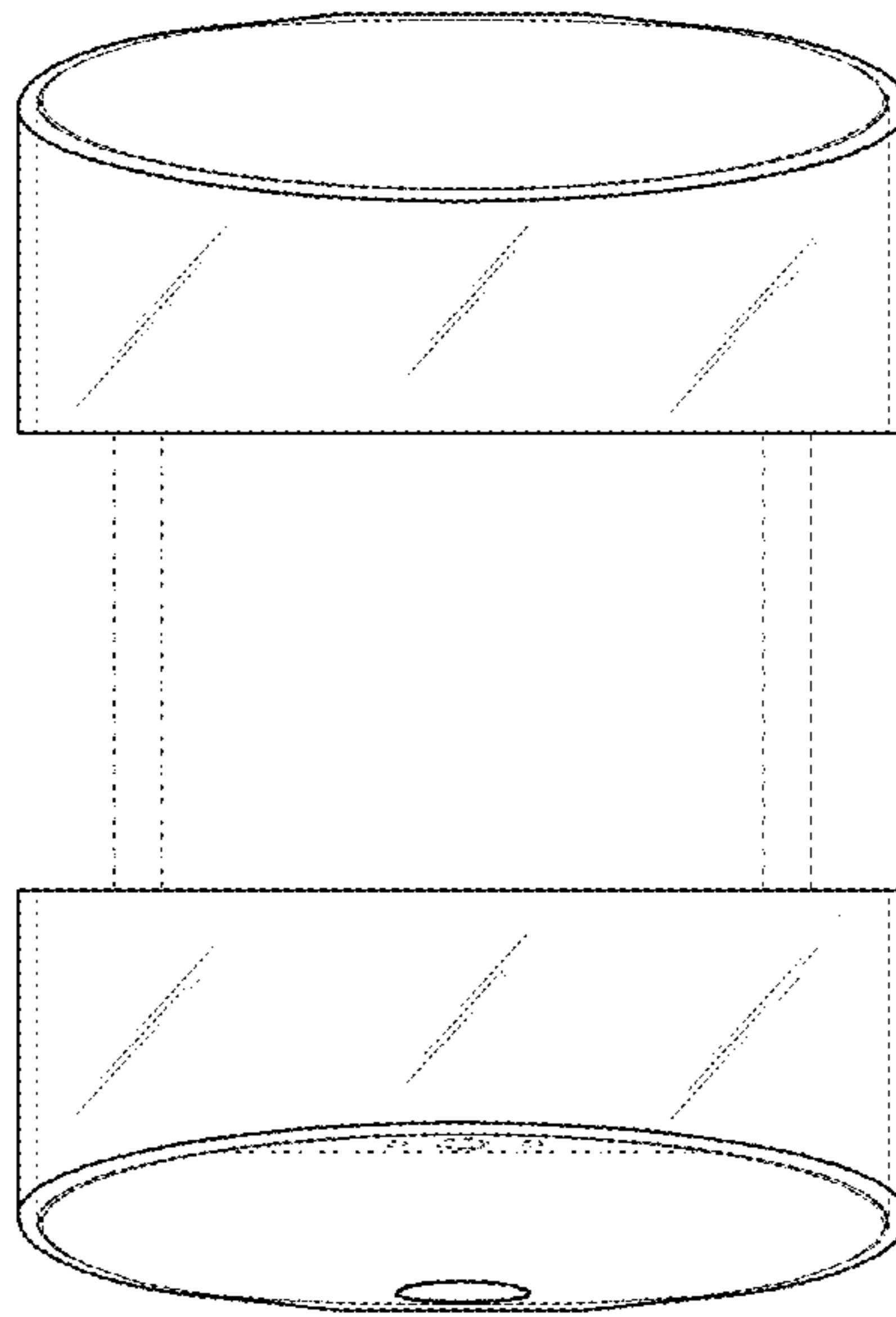
1.4



1.5



1.6



1.7

