



US00D912491S

(12) **United States Design Patent**
Zwakman

(10) **Patent No.:** **US D912,491 S**
(45) **Date of Patent:** **** Mar. 9, 2021**

(54) **QUICK INSTALL DOOR HANDLE SET**

(56) **References Cited**

(71) Applicant: **Daniel Zwakman**, Cottage Grove, MN (US)

U.S. PATENT DOCUMENTS

(72) Inventor: **Daniel Zwakman**, Cottage Grove, MN (US)

2,919,947 A * 1/1960 Scott E05B 1/0007

(**) Term: **15 Years**

292/347

(21) Appl. No.: **29/692,546**

4,082,351 A * 4/1978 Chrones E05B 13/001

(22) Filed: **May 27, 2019**

16/414

(51) **LOC (13) Cl.** **08-06**

6,202,352 B1 * 3/2001 Wilkes E05B 15/02

(52) **U.S. Cl.**

49/460

USPC **D8/301**

6,687,957 B2 * 2/2004 Worrell G05G 1/10

(58) **Field of Classification Search**

16/414

USPC D8/300-302, 307-309, 310, 311, 330, D8/331

D772,037 S * 11/2016 Zimmer D8/310

CPC Y10T 16/44; Y10T 74/20612; Y10T 74/20732; Y10T 16/458; Y10T 16/498;

D781,126 S * 3/2017 Pionek D8/310

Y10T 16/469; Y10T 16/476; Y10T 74/20744; Y10T 74/20864; Y10T 16/4628; Y10T 74/20642; Y10T 16/473;

D844,408 S * 4/2019 Lu D8/301

Y10T 74/20762; Y10T 74/2042; Y10T 74/20828; Y10T 16/459; Y10T 16/4713;

2006/0232079 A1 * 10/2006 Hsieh E05B 65/0035

Y10T 74/2014; Y10T 16/50; Y10T 74/20438; Y10T 74/20582; Y10T 74/20738; Y10T 16/48; Y10T 74/20618;

292/336.3

Y10T 74/20684; Y10T 74/20624; Y10T 74/20468; Y10T 16/61; Y10T 16/4719;

2014/0217755 A1 * 8/2014 Kom E05B 63/0056

Y10T 16/86; Y10S 16/30; Y10S 292/31; Y10S 292/53; Y10S 16/12; Y10S 292/23;

292/336.3

Y10S 292/27; Y10S 292/30; Y10S 292/63; E05B 85/16; E05B 1/0015; E05B 77/06; E05B 79/06; E05B 85/18; E05B 85/12; E05B 85/10; E05B 7/00; E05B 1/0053; E05B 77/265

2017/0350160 A1 * 12/2017 Block E05B 17/226

See application file for complete search history.

* cited by examiner

Primary Examiner — Lauren R Calve

(74) *Attorney, Agent, or Firm* — Lev Ivan Gabriel

Iwashko; The Iwashko Law Firm, PLLC

(57) **CLAIM**

The ornamental design for a quick install door handle set, as shown and described.

DESCRIPTION

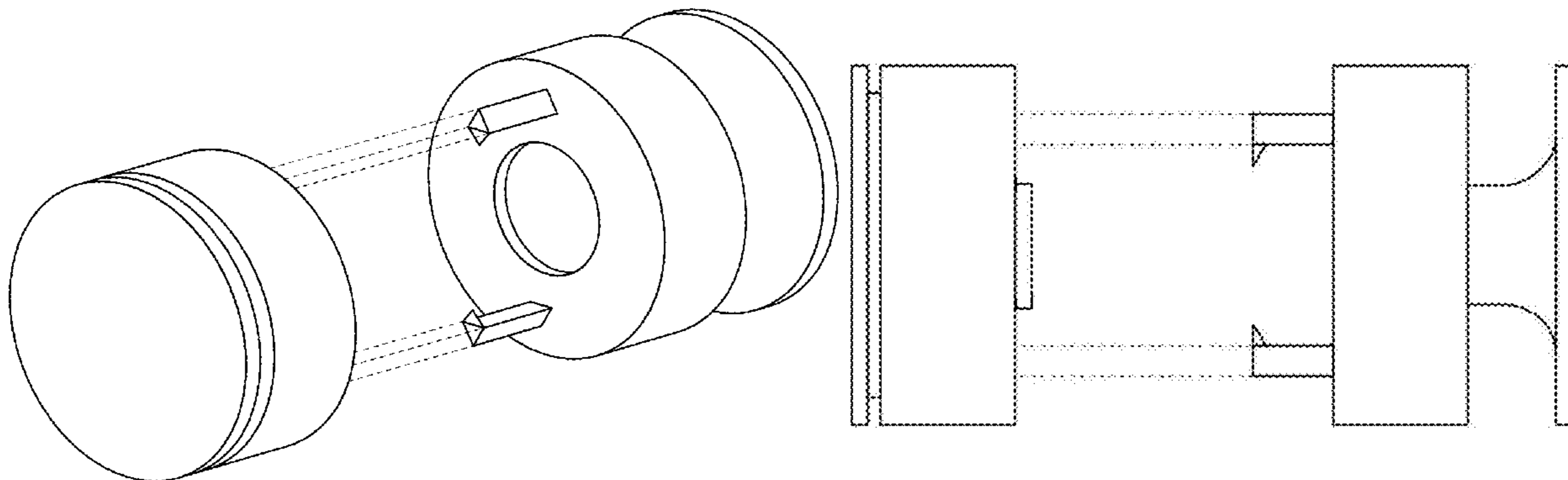
FIG. 1 is an exploded front isometric view of a quick install door handle set in accordance with the present invention;

FIG. 2 is an exploded side view thereof; and,

FIG. 3 is an exploded rear isometric view thereof.

The broken lines illustrate how the two elements of the door handle set connect and form no part of the claimed design.

1 Claim, 3 Drawing Sheets



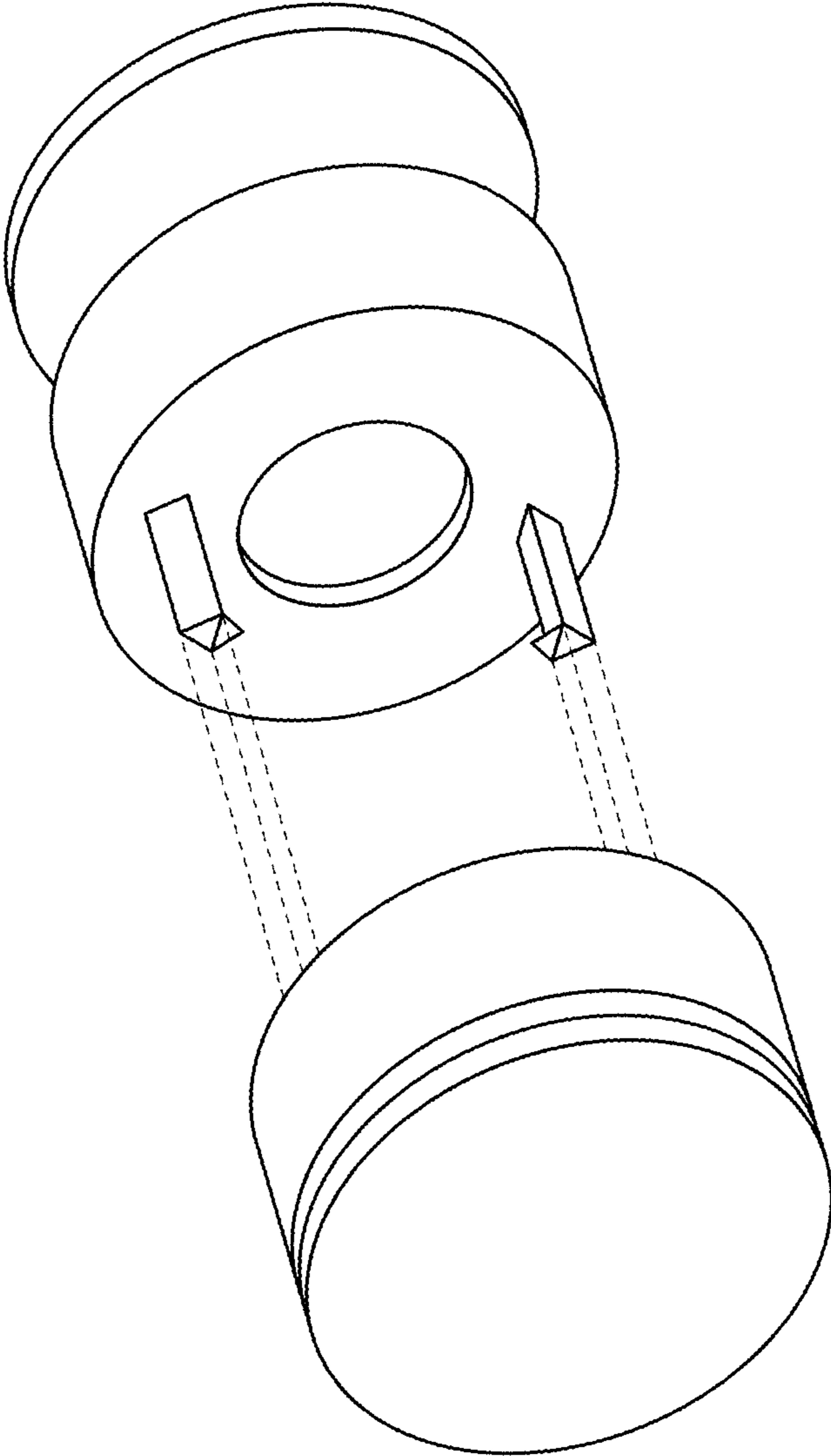


FIG. 1

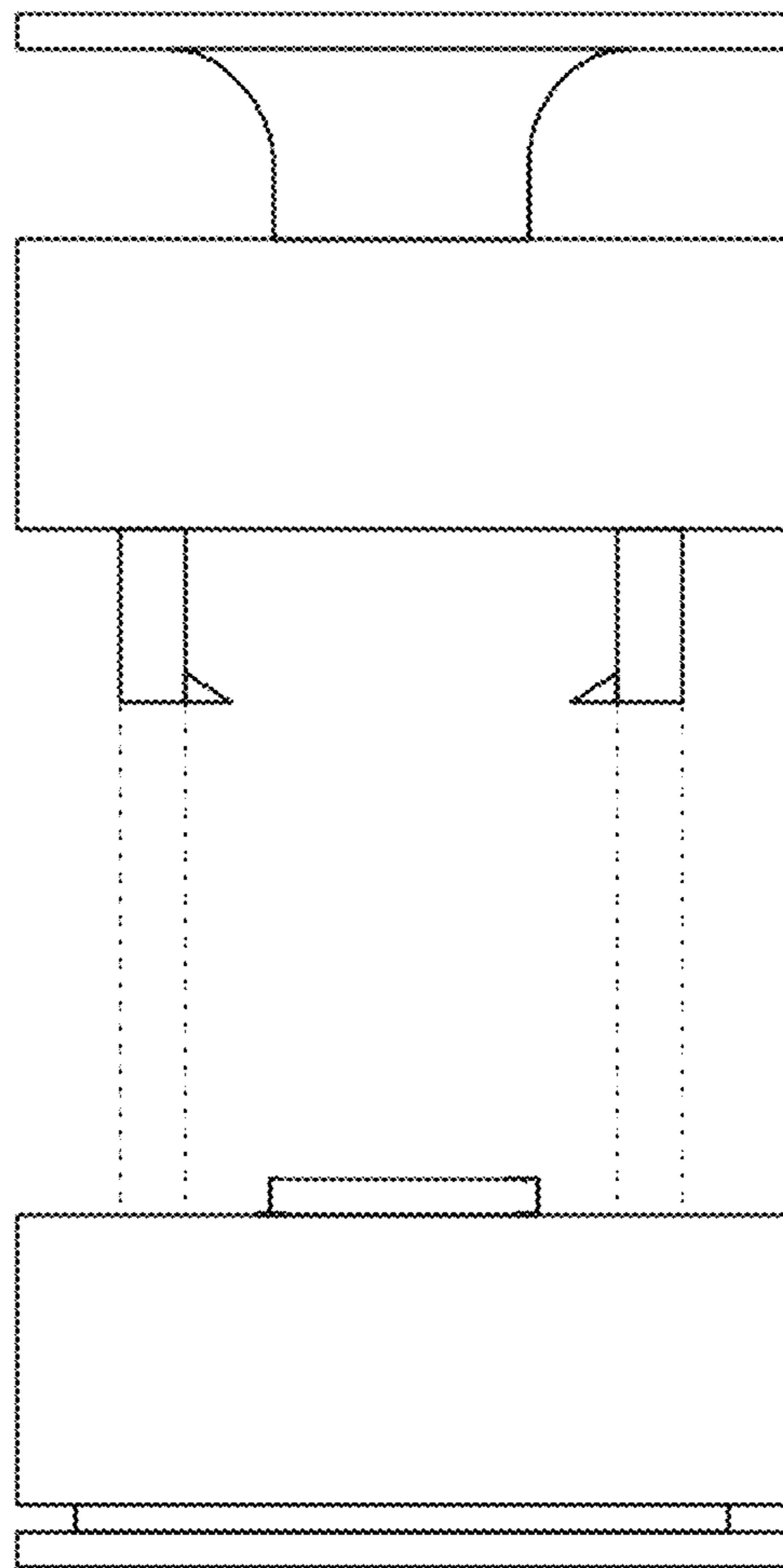


FIG. 2

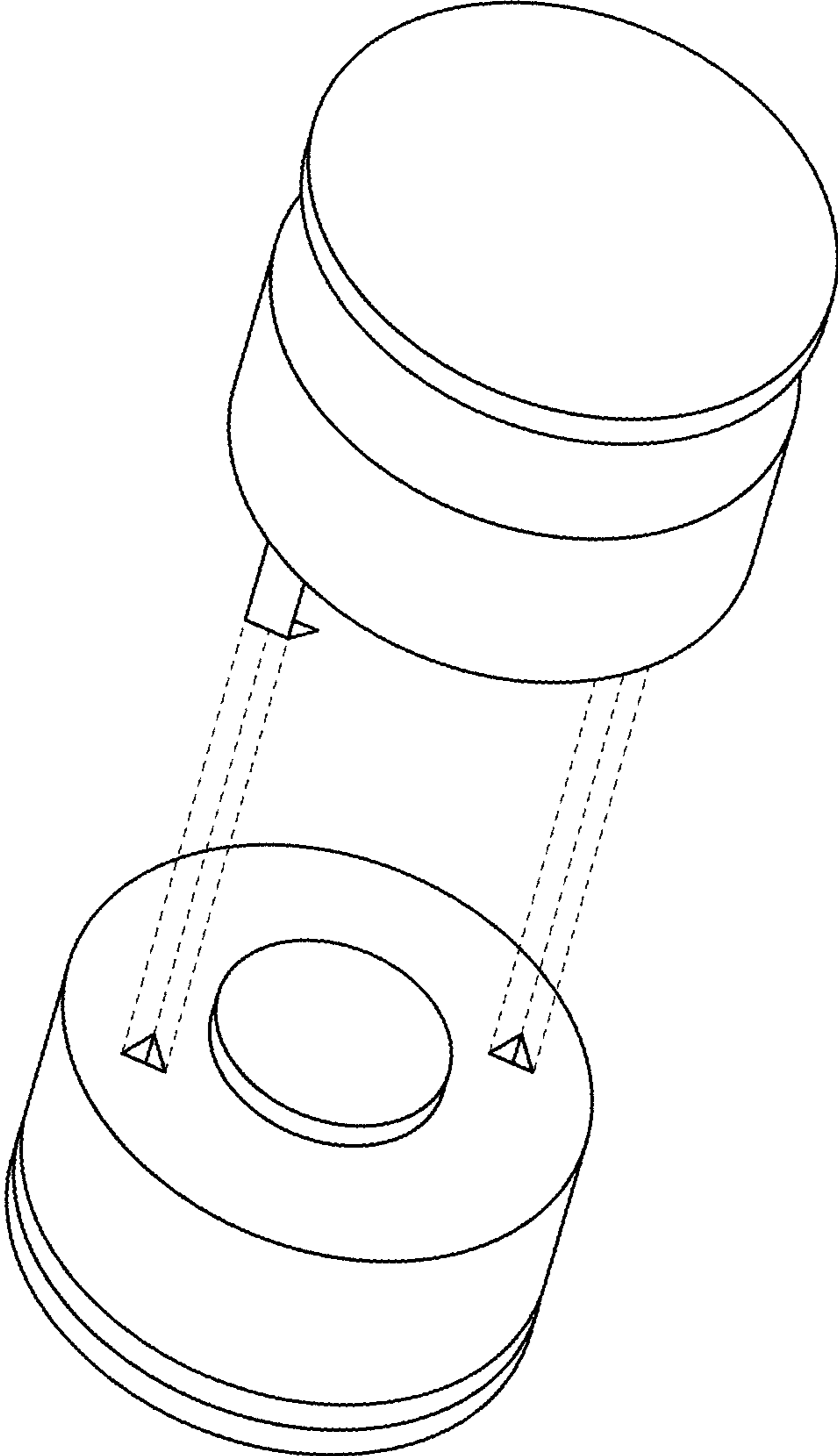


FIG. 3