



US00D912490S

(12) **United States Design Patent** (10) **Patent No.:** **US D912,490 S**  
**Sweitzer** (45) **Date of Patent:** **\*\* Mar. 9, 2021**

- (54) **SLOTTED MALLET**
- (71) Applicant: **Shukla Medical**, St. Petersburg, FL (US)
- (72) Inventor: **Zachary Robert Sweitzer**, Keyport, NJ (US)
- (73) Assignee: **Shukla Medical**, St. Petersburg, FL (US)
- (\*\*) Term: **15 Years**
- (21) Appl. No.: **29/708,113**
- (22) Filed: **Oct. 3, 2019**
- (51) **LOC (13) Cl.** ..... **08-02**
- (52) **U.S. Cl.**  
USPC ..... **D8/77**
- (58) **Field of Classification Search**  
USPC ..... D8/75, 76, 77, 78, 79, 80, 81, 88, 89, D8/105, 14; D21/728; D7/682  
CPC ... B25D 1/00; B25D 1/02; B25D 1/04; B25D 1/08; B25D 1/14; A01B 1/20; A01G 23/099  
See application file for complete search history.

D299,404 S *	1/1989	Demanczyk, Jr. ....	D7/682
D339,972 S *	10/1993	Forman .....	D8/77
D373,060 S *	8/1996	Wilcox .....	D8/77
5,593,346 A *	1/1997	Washington .....	A22C 9/00 452/146
D506,905 S *	7/2005	Lee .....	D7/682
D579,298 S *	10/2008	Moxey .....	D8/77
D649,246 S *	11/2011	Prichett .....	D24/142
D651,886 S *	1/2012	Clement .....	D8/77
D693,190 S *	11/2013	Spector .....	D7/682
D706,090 S *	6/2014	Spector .....	D7/682
9,149,922 B1 *	10/2015	Vazikas .....	B25D 1/14
D818,338 S *	5/2018	Jones .....	D8/77
D837,018 S *	1/2019	Goldiner .....	D8/77
2018/0028224 A1 *	2/2018	Lee .....	A61B 17/3403
2018/0229355 A1 *	8/2018	Gupta .....	B44C 1/24

\* cited by examiner

*Primary Examiner* — Philip S Hyder  
(74) *Attorney, Agent, or Firm* — Kim IP Law Group LLC

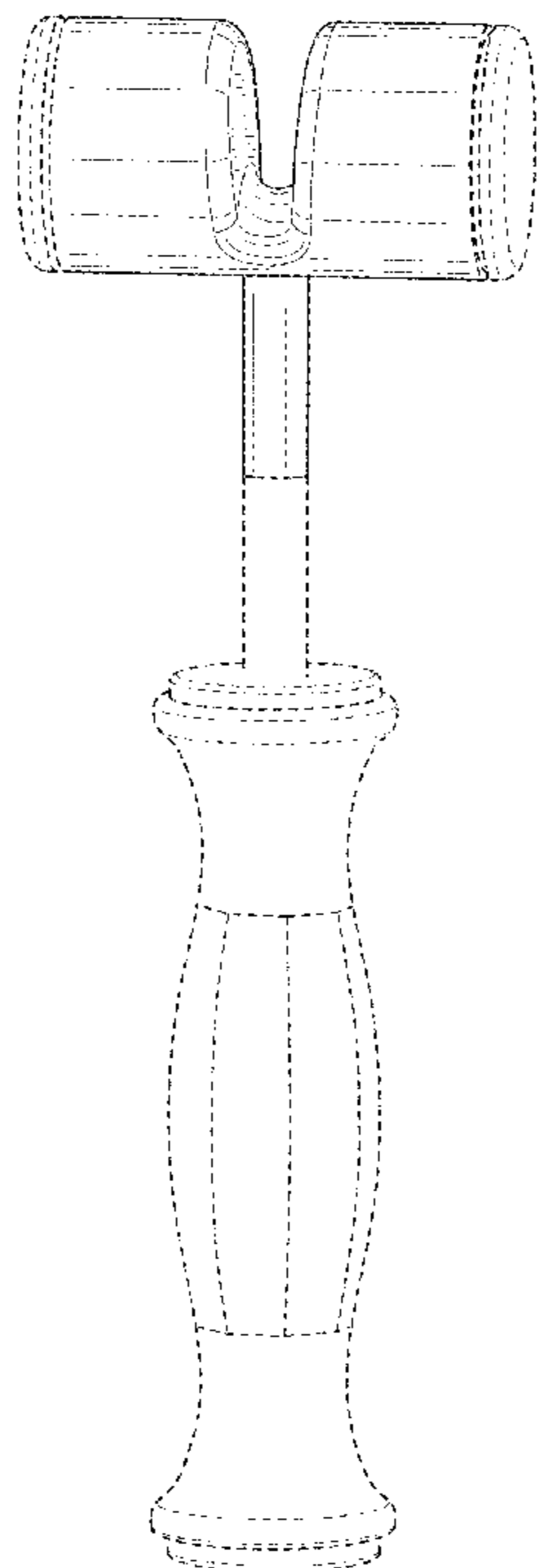
(57) **CLAIM**

The ornamental design for a slotted mallet, as shown and described.

**DESCRIPTION**

FIG. 1 is a perspective view of a slotted mallet in accordance with the new design;  
FIG. 2 is a left side view of the slotted mallet of FIG. 1;  
FIG. 3 is a right side view of the slotted mallet of FIG. 1;  
FIG. 4 is a front view of the slotted mallet of FIG. 1;  
FIG. 5 is a rear view of the slotted mallet of FIG. 1;  
FIG. 6 is a top view of the slotted mallet of FIG. 1; and,  
FIG. 7 is a bottom view of the slotted mallet of FIG. 1.  
The broken lines in the figures are directed to portions of the slotted mallet that form no part of the claimed design.

**1 Claim, 6 Drawing Sheets**



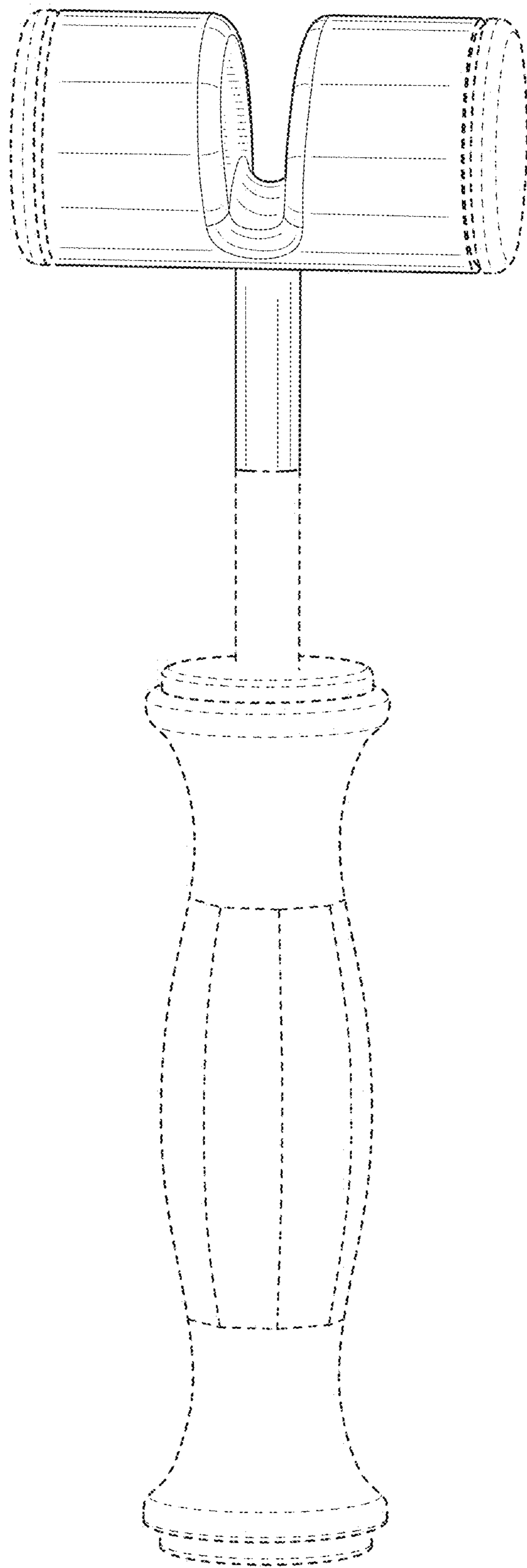


FIG. 1

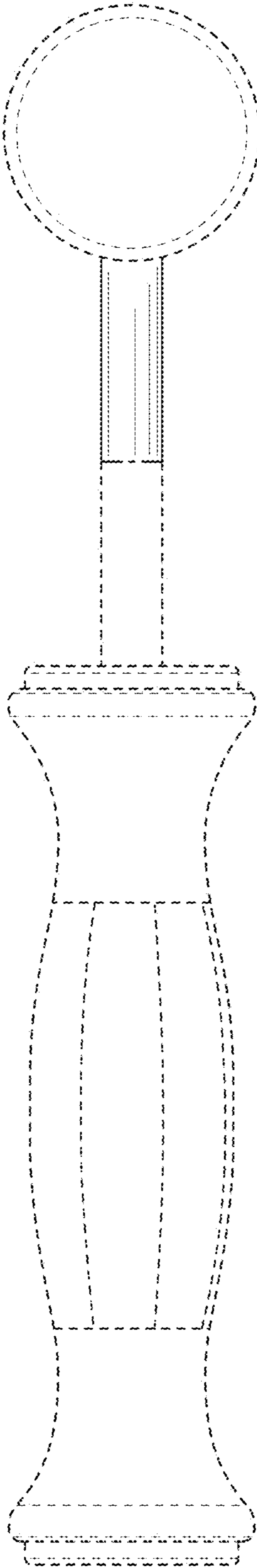


FIG. 2

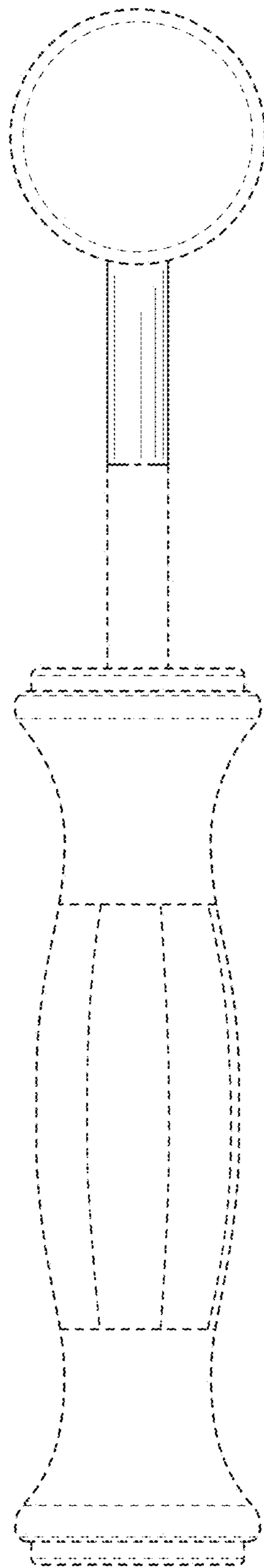


FIG. 3

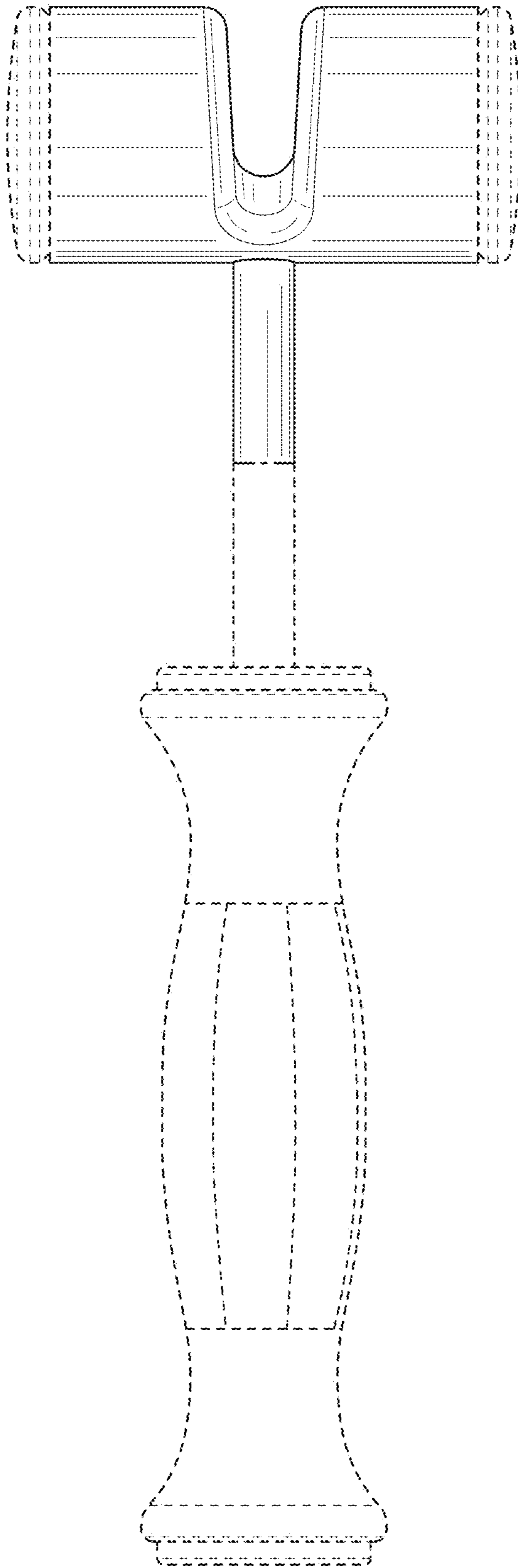


FIG. 4

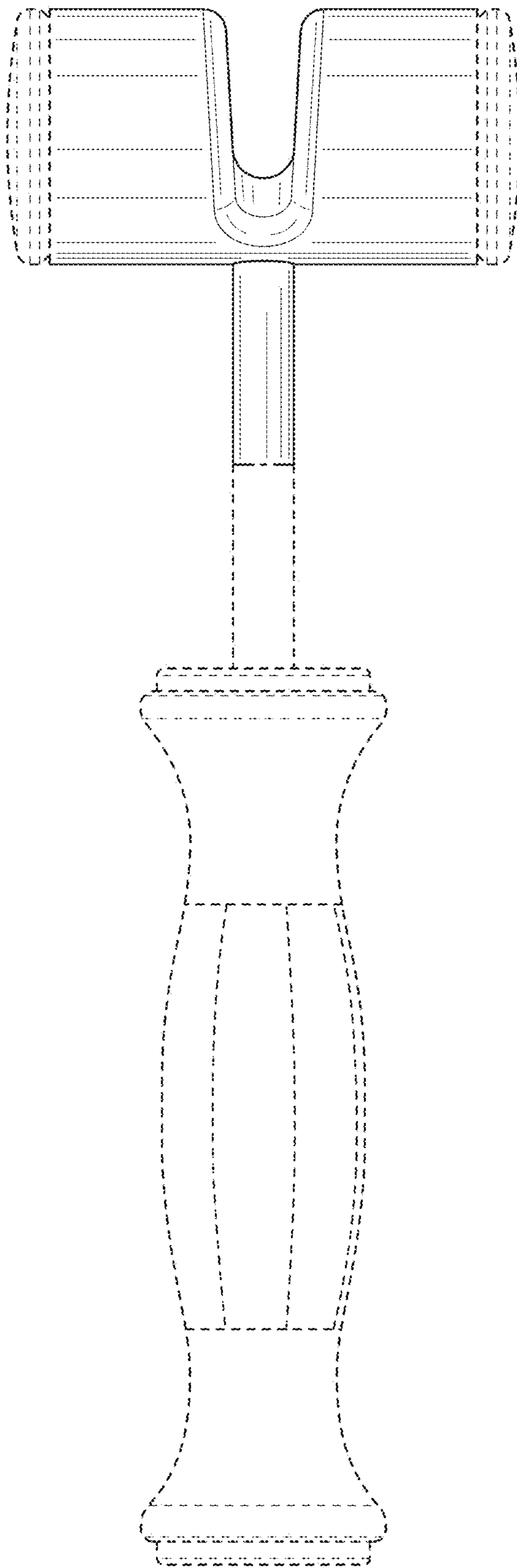


FIG. 5

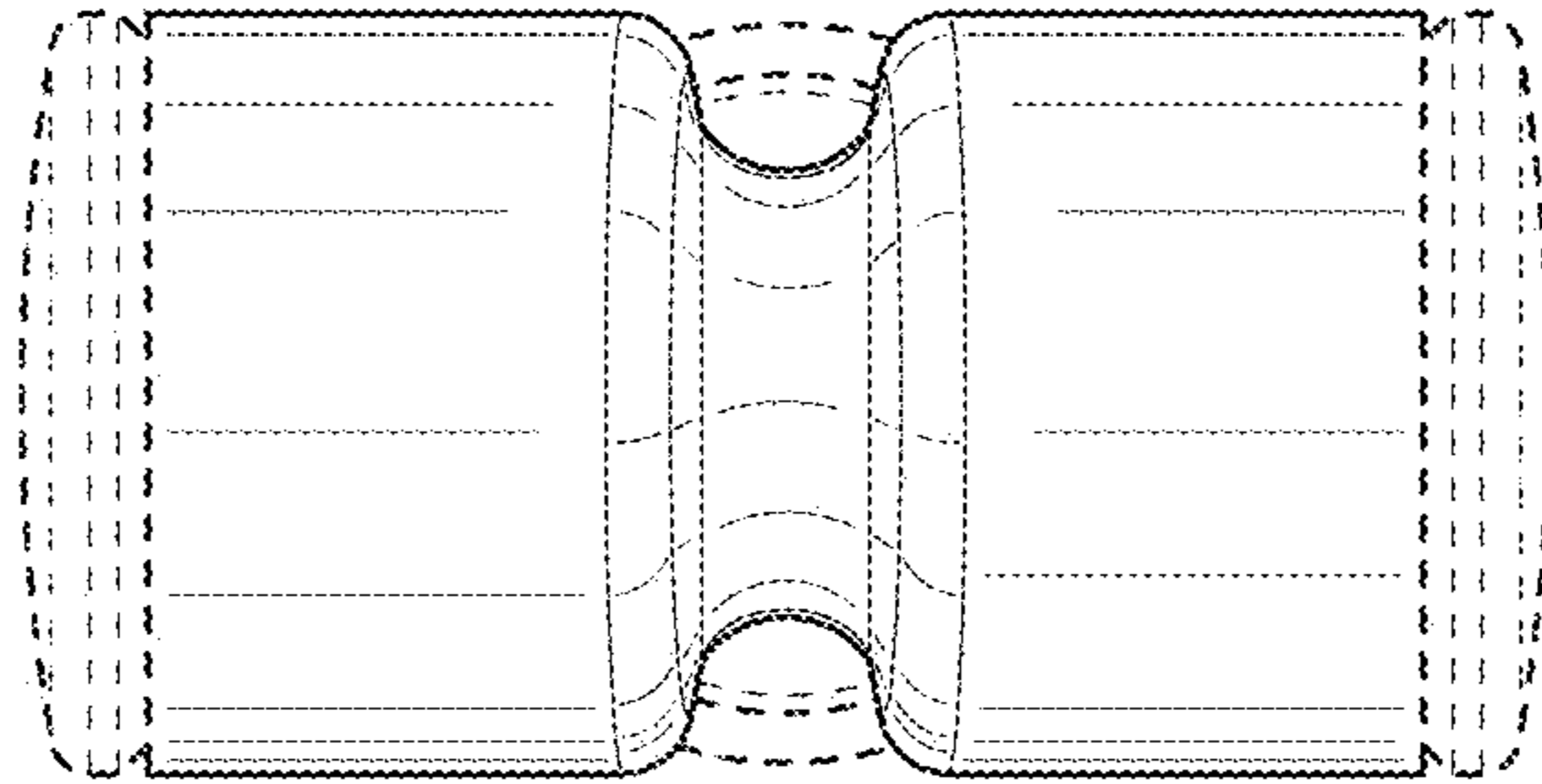


FIG. 6

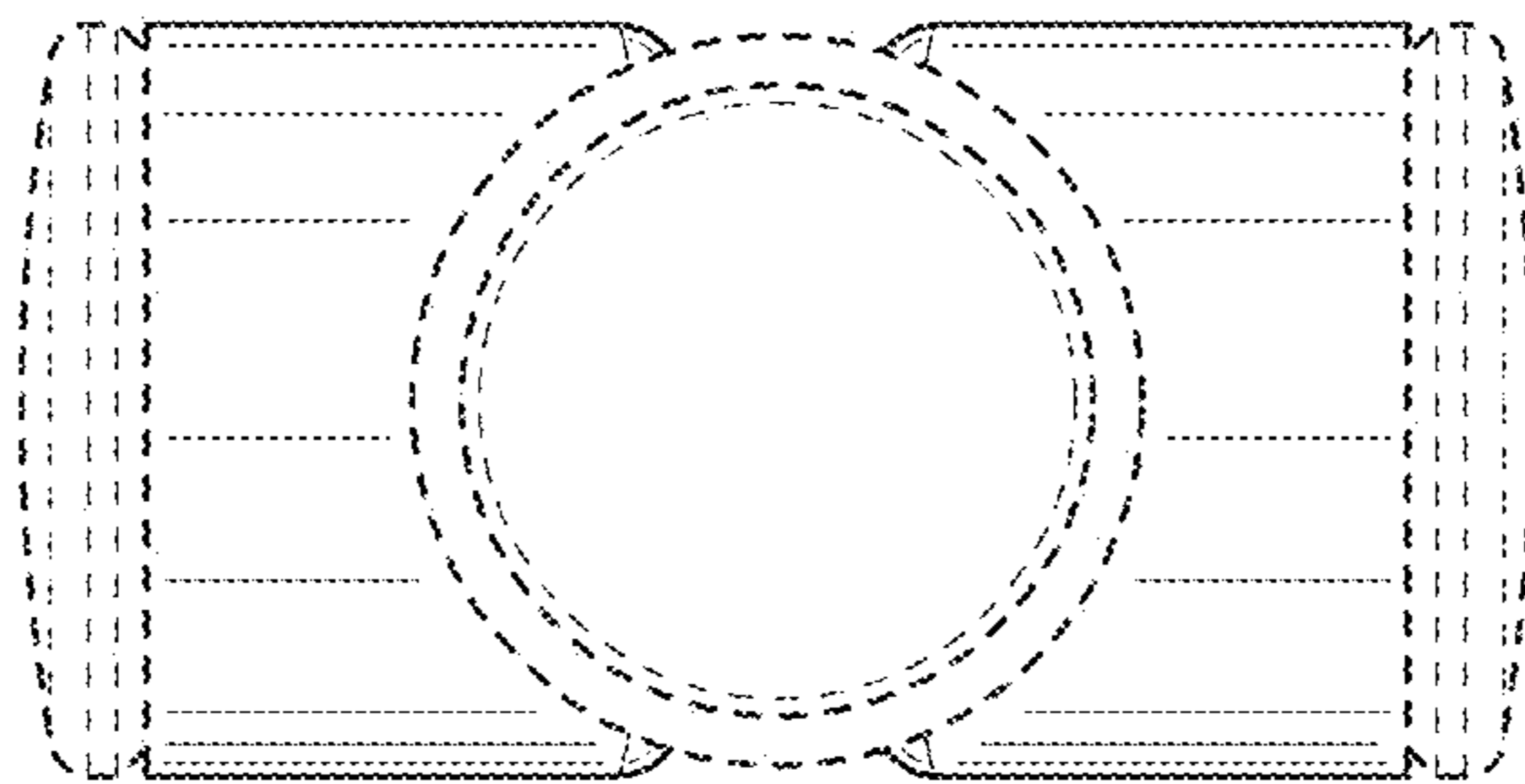


FIG. 7