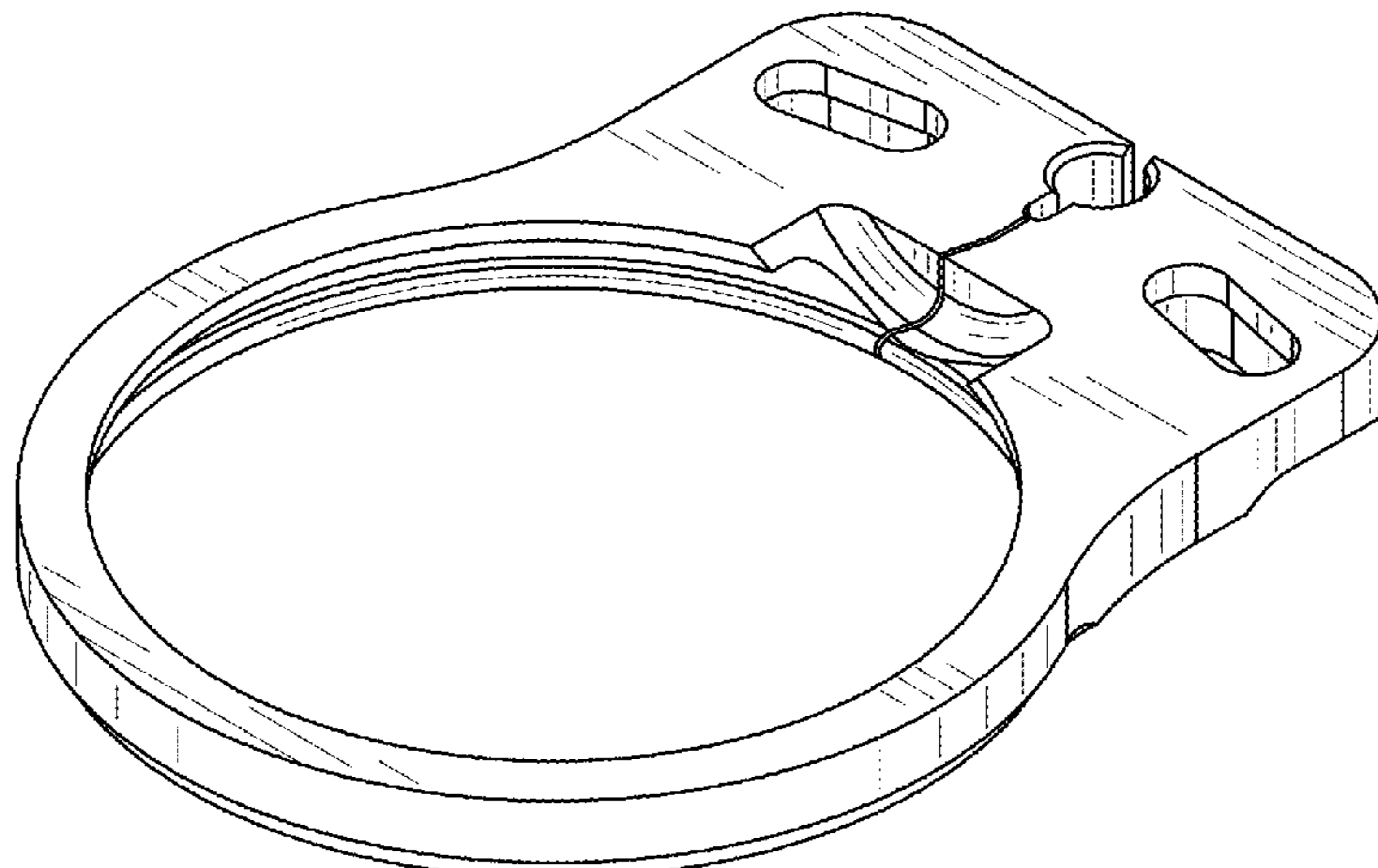




US00D912489S

(12) **United States Design Patent** (10) **Patent No.:** **US D912,489 S**  
**Whited et al.** (45) **Date of Patent:** **\*\* Mar. 9, 2021**

- (54) **HOUSING FOR A POWER OPERATED ROTARY KNIFE** 3,512,519 A 5/1970 Hall  
 3,592,519 A 7/1971 Martin  
 3,688,403 A 9/1972 Bettcher  
 3,816,875 A 6/1974 Duncan et al.  
 3,852,882 A 12/1974 Bettcher  
 4,082,232 A 4/1978 Brewer  
 4,170,063 A 10/1979 Bettcher  
 4,178,683 A 12/1979 Bettcher  
 4,198,750 A 4/1980 Bettcher  
 4,236,531 A 12/1980 McCullough  
 4,267,759 A 5/1981 Sullivan et al.  
 4,324,043 A \* 4/1982 McCullough ..... B26B 25/002  
 30/206
- (71) Applicant: **Bettcher Industries, Inc.**, Birmingham, OH (US)
- (72) Inventors: **Jeffrey A. Whited**, Richfield, OH (US);  
**Dennis Seguin, Jr.**, Elyria, OH (US);  
**Bernard J. Esarey**, Lorain, OH (US)
- (73) Assignee: **Bettcher Industries, Inc.**, Birmingham, OH (US)
- (\*\*) Term: **15 Years**
- (21) Appl. No.: **29/694,829**
- (22) Filed: **Jun. 13, 2019**
- (51) **LOC (13) Cl.** ..... **08-05**
- (52) **U.S. Cl.**  
 USPC ..... **D8/70**
- (58) **Field of Classification Search**  
 USPC .... D8/20, 61, 62, 64, 66; D7/383, 694, 696,  
 D7/697; D15/126, 133, 138-140;  
 D24/146  
 CPC ... B26B 25/002; A22C 17/04; A22C 17/0033;  
 A22C 17/12; A22B 5/0047; A22B 5/165  
 See application file for complete search history.
- (56) **References Cited**  
 U.S. PATENT DOCUMENTS
- 1,220,345 A 3/1917 Koster  
 1,374,988 A 4/1921 Cooper  
 1,476,345 A 12/1923 McGee  
 1,966,266 A 7/1934 Skelly  
 2,266,888 A 12/1941 McCurdy et al.  
 2,656,012 A 10/1953 Thorpe  
 2,827,657 A 3/1958 Bettcher  
 3,024,532 A 3/1962 Bettcher  
 3,150,409 A 9/1964 Wilcox  
 RE25,947 E 12/1965 Bettcher  
 3,269,010 A \* 8/1966 Bettcher ..... B26B 25/002  
 30/276
- 3,349,485 A 10/1967 Bettcher  
 3,461,557 A 8/1969 Behring
- 4,326,361 A 4/1982 McGill  
 4,336,651 A 6/1982 Caro  
 4,363,170 A 12/1982 McCullough  
 4,418,591 A 12/1983 Astle  
 4,439,924 A 4/1984 Bettcher  
 4,492,027 A 1/1985 Bettcher  
 4,494,311 A 1/1985 McCullough  
 4,509,261 A 4/1985 Bettcher  
 4,516,323 A 5/1985 Bettcher  
 4,575,937 A 3/1986 McCullough  
 4,575,938 A 3/1986 McCullough  
 4,590,576 A 5/1986 Elpiner  
 4,590,676 A 5/1986 Bettcher  
 4,609,227 A 9/1986 Wild  
 4,619,047 A \* 10/1986 Heckman ..... A22B 5/165  
 30/276
- 4,637,140 A 1/1987 Bettcher  
 4,702,006 A \* 10/1987 McCullough ..... B26B 25/002  
 16/422
- D298,503 S \* 11/1988 McCullough ..... D7/395  
 4,829,860 A 5/1989 VanderPol  
 4,854,046 A 8/1989 Decker  
 4,858,321 A 8/1989 McCullough  
 4,865,473 A 9/1989 DeVito  
 4,894,915 A \* 1/1990 Decker ..... B26B 25/002  
 30/276
- 4,909,640 A 3/1990 Nakanishi  
 4,942,665 A 7/1990 McCullough  
 4,993,502 A \* 2/1991 McCullough ..... B26B 25/002  
 173/170
- 5,025,559 A \* 6/1991 McCullough ..... B26B 25/002  
 30/1
- 5,031,323 A 7/1991 Honsa  
 5,033,876 A 7/1991 Kraus  
 5,035,055 A \* 7/1991 McCullough ..... F16C 1/06  
 30/276
- 5,071,264 A 12/1991 Franke et al.  
 5,078,024 A 1/1992 Cicotte et al.  
 5,084,976 A \* 2/1992 Ross ..... B26B 25/002  
 30/276



# US D912,489 S

5,099,721	A	3/1992	Decker et al.	
5,230,154	A	7/1993	Decker	
5,331,877	A	7/1994	Ishii	
5,419,619	A	5/1995	Lew	
5,484,331	A	1/1996	Buhlke	
5,499,492	A	3/1996	Jameson	
5,522,142	A	6/1996	Whited	
5,529,532	A	6/1996	Desrosiers	
5,582,041	A	12/1996	Spiess	
5,664,332	A	9/1997	Whited	
5,692,307	A	12/1997	Whited	
5,743,659	A	4/1998	Stewart	
5,749,661	A	5/1998	Moller	
5,761,817	A	6/1998	Whited	
5,896,801	A *	4/1999	Jacko .....	B26D 3/22 83/356.3
5,940,972	A	8/1999	Baris	
5,971,413	A	10/1999	El Kassouf	
6,007,007	A *	12/1999	Haack .....	B02C 18/36 241/82.1
6,247,847	B1	6/2001	Lob	
6,354,949	B1	3/2002	Baris et al.	
6,364,086	B1	4/2002	Blaurock	
6,604,288	B2	8/2003	Whited et al.	
6,615,494	B2	9/2003	Long et al.	
6,634,257	B2	10/2003	Long	
6,655,033	B2	12/2003	Hermann et al.	
6,662,452	B2	12/2003	Whited	
6,665,940	B2	12/2003	Sanders	
6,694,649	B2	2/2004	Whited et al.	
6,751,872	B1	6/2004	Whited et al.	
6,769,184	B1	8/2004	Whited	
6,857,191	B2	2/2005	Whited et al.	
6,938,348	B2	9/2005	Roncaglia	
6,978,548	B2	12/2005	Whited et al.	
7,000,325	B2	2/2006	Whited	
7,107,887	B2	9/2006	Whited	
7,207,114	B2	4/2007	Rosu et al.	
D549,539	S *	8/2007	Walters .....	D8/70
7,340,840	B2	3/2008	Whited	
8,074,363	B2	12/2011	Whited	
8,448,340	B2	5/2013	Whited	
8,505,207	B2	8/2013	Thien	
8,661,692	B2	3/2014	Whited	
8,671,580	B2	3/2014	Whited	
8,695,222	B2	4/2014	Whited	
8,726,524	B2	5/2014	Whited et al.	
8,739,416	B2	6/2014	Mascari	
8,745,881	B2	6/2014	Thompson	
8,806,761	B2	8/2014	Whited	
8,950,076	B2	2/2015	Whited	
8,968,107	B2	3/2015	Rapp	
9,089,980	B2	7/2015	Whited	
9,121,438	B2	9/2015	Mascari	
9,186,171	B2	11/2015	Esarey	
9,211,183	B2	12/2015	Whited	
9,211,650	B2	12/2015	Mascari	
9,227,332	B2	1/2016	Thompson	
9,265,263	B2	2/2016	Whited	
9,301,647	B2 *	4/2016	Ekstrom .....	B26D 1/0006
9,364,962	B2	6/2016	Whited	
9,452,541	B2	9/2016	Mascari	
9,475,203	B2	10/2016	Whited et al.	
9,522,473	B2	12/2016	Mascari	
9,573,283	B2	2/2017	Thompson	
9,579,810	B2	2/2017	Mascari	
9,592,076	B2	3/2017	Esarey	
9,623,577	B2	4/2017	Whited	
9,833,919	B2	12/2017	Mascari	
10,040,211	B2	8/2018	Whited	
10,124,500	B2	11/2018	Whited et al.	
10,343,296	B2 *	7/2019	Hall .....	B26B 25/002
10,611,042	B2 *	4/2020	McCracken .....	B26D 7/2614
2003/0070301	A1	4/2003	Herrmann	
2003/0084576	A1	5/2003	Whited	
2003/0131482	A1	7/2003	Long	
2003/0196333	A1	10/2003	Whited	
2004/0134326	A1	7/2004	Long	
2005/0126015	A1	6/2005	Whited	

2005/0217119	A1	10/2005	Rapp
2006/0037200	A1	3/2006	Rosu
2006/0137193	A1	6/2006	Whited
2006/0211966	A1	9/2006	Hatton
2007/0283573	A1	12/2007	Levsen
2007/0283574	A1	12/2007	Levsen
2008/0022537	A1	1/2008	Clarke
2008/0078158	A1	4/2008	Reist
2008/0098605	A1	5/2008	Whited
2009/0227192	A1	9/2009	Luthi et al.
2010/0101097	A1	4/2010	Thien
2010/0111460	A1	5/2010	Albrecht
2010/0170097	A1	7/2010	Levsen
2011/0185580	A1	8/2011	Whited
2011/0247220	A1	10/2011	Whited
2012/0011980	A1	1/2012	Kroger
2012/0030952	A1	2/2012	Levsen
2013/0025134	A1	1/2013	Mascari
2013/0025136	A1	1/2013	Whited
2013/0025137	A1	1/2013	Whited
2013/0025138	A1	1/2013	Whited
2013/0025139	A1	1/2013	Whited
2013/0056324	A1	3/2013	Freund
2013/0104404	A1	5/2013	Levsen
2013/0185944	A1	7/2013	Thompson et al.
2013/0205572	A1	8/2013	Mascari
2013/0243358	A1	9/2013	Stork
2013/0266250	A1	10/2013	Brown
2013/0326886	A1	12/2013	Levsen
2014/0074120	A1	3/2014	Esarey
2015/0377289	A1	12/2015	Scheidel
2016/0082612	A1	3/2016	Mascari
2016/0279818	A1	9/2016	Whited
2016/0345996	A1	12/2016	Esarey
2018/0162001	A1	6/2018	Whited
2018/0162002	A1	6/2018	Whited et al.
2018/0345514	A1	12/2018	Whited et al.

## FOREIGN PATENT DOCUMENTS

CA	2796222	10/2011
CA	2883924	3/2014
DE	19958802	7/2001
EP	0689905	1/1996
EP	0816026	1/1998
EP	1226907	7/2002
EP	1356902	10/2003
EP	1403012	8/2004
EP	1527853	5/2005
EP	1527854	5/2005
EP	1916075	4/2008
EP	2353805	8/2011
EP	2497366	9/2012
EP	2557935	6/2016
EP	2736684	1/2017
FR	1216947	4/1960
JP	2000052293	2/2000
WO	WO 0124977	4/2001
WO	WO 01/41980	6/2001
WO	WO 2008/107490	9/2008
WO	WO 2011/130057	10/2011
WO	WO 2013/016019	1/2013
WO	WO 2013/016020	1/2013
WO	WO 2013/016021	1/2013
WO	WO 2013/016022	1/2013
WO	WO 2013/016024	1/2013
WO	WO 2013/016344	1/2013
WO	WO 2014/039601	3/2014
WO	WO 2014/039609	3/2014
WO	WO 2014/159349	10/2014
WO	WO 2014/160043	10/2014

## OTHER PUBLICATIONS

International Search Report and Written Opinion of the International Searching Authority dated Feb. 14, 2018 for PCT International Application No. PCT/US2017/064500, filed Dec. 4, 2017. PCT International Application No. PCT/US2017/064500 claims



priority from U.S. Appl. No. 15/374,207, filed Dec. 9, 2016, issued as U.S. Pat. No. 10,040,211, on Aug. 7, 2018. (13 pages).

Oct. 3, 2011 Decision and Opinion of the United States Court of Appeals for the Federal Circuit (Appeal No. 2011-1038,—1046) regarding the case styled *Bettcher Industries, Inc. v. Bunzl USA, Inc. and Bunzl Processor Distribution, LLC*, Case No. 3:08 CV 2423, U.S. District Court for the Northern District of Ohio, Judge Zouhary. The Decision and Opinion relates to U.S. Pat. No. 7,000,325, owned by the assignee of the present application. (47 pages).

International Search Report and Written Opinion of the International Searching Authority dated Jul. 13, 2018 for PCT International Application No. PCT/US2018/036498, filed Jun. 7, 2018. PCT International Application No. PCT/US2018/036498 corresponds to and claims priority from U.S. Appl. No. 15/822,914, filed Nov. 27, 2017, issued as U.S. Pat. No. 10,124,500, on Nov. 13, 2018. (6 pages).

International Search Report and Written Opinion of the International Searching Authority dated Apr. 26, 2019 for PCT International Application No. PCT/US2018/062042, filed Nov. 20, 2018. PCT International Application No. PCT/US2018/062042 corresponds to and claims priority from U.S. Appl. No. 16/013,565, filed Jun. 20, 2018, published as U.S. Pub. No. US2018/0345514, on Dec. 6, 2018. (9 pages).

\* cited by examiner

*Primary Examiner* — Darlington Ly  
(74) *Attorney, Agent, or Firm* — Tarolli, Sundheim,  
Covell & Tummino LLP; John A. Yirga, Esq.

(57) **CLAIM**

The ornamental design for a housing for a power operated rotary knife, as shown and described.

**DESCRIPTION**

FIG. 1 is a top, front, and right side perspective view of a housing for a power operated rotary knife showing our new design;

FIG. 2 is a bottom, rear, and left side perspective view thereof;

FIG. 3 is an enlarged top, front, and right side perspective view thereof;

FIG. 4 is an enlarged top, rear, and left side perspective view thereof;

FIG. 5 is an enlarged bottom, rear, and left side perspective view thereof;

FIG. 6 is an enlarged bottom, front, and right side perspective view thereof;

FIG. 7 is an enlarged bottom plan view thereof;

FIG. 8 is an enlarged top plan view thereof;

FIG. 9 is an enlarged left side elevation view thereof;

FIG. 10 is an enlarged right side elevation view thereof;

FIG. 11 is an enlarged front elevation view thereof;

FIG. 12 is an enlarged rear elevation view thereof;

FIG. 13 is a cross-sectional view thereof taken along line 13-13 in FIG. 7;

FIG. 14 is a cross-sectional view thereof taken along line 14-14 in FIG. 7;

FIG. 15 is a cross-sectional view thereof taken along line 15-15 in FIG. 8; and,

FIG. 16 is a cross-sectional view thereof taken along line 16-16 in FIG. 8.

The broken lines in the drawings illustrate portions of the housing for a power operated rotary knife that form no part of the claimed design.

**1 Claim, 9 Drawing Sheets**

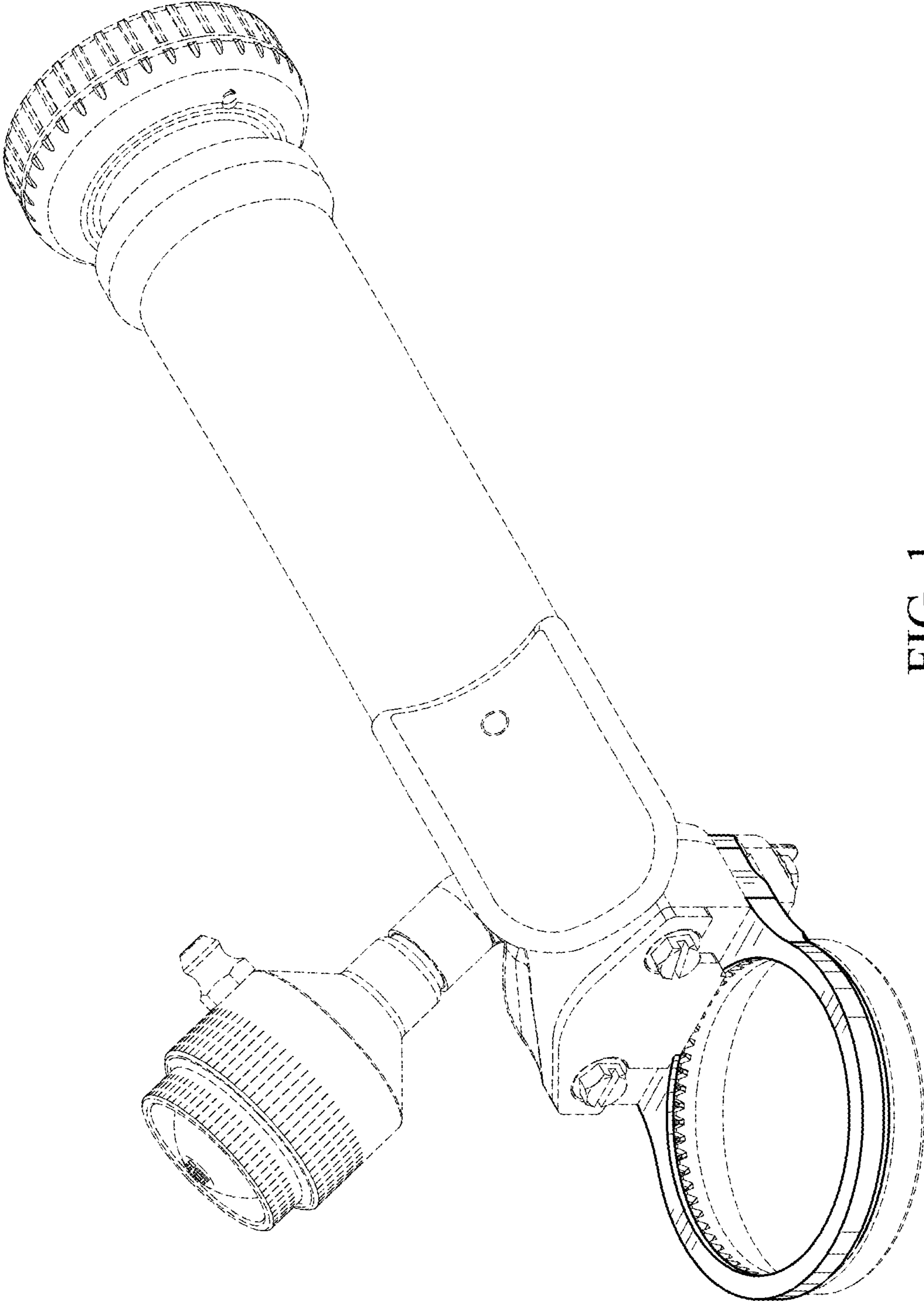


FIG. 1

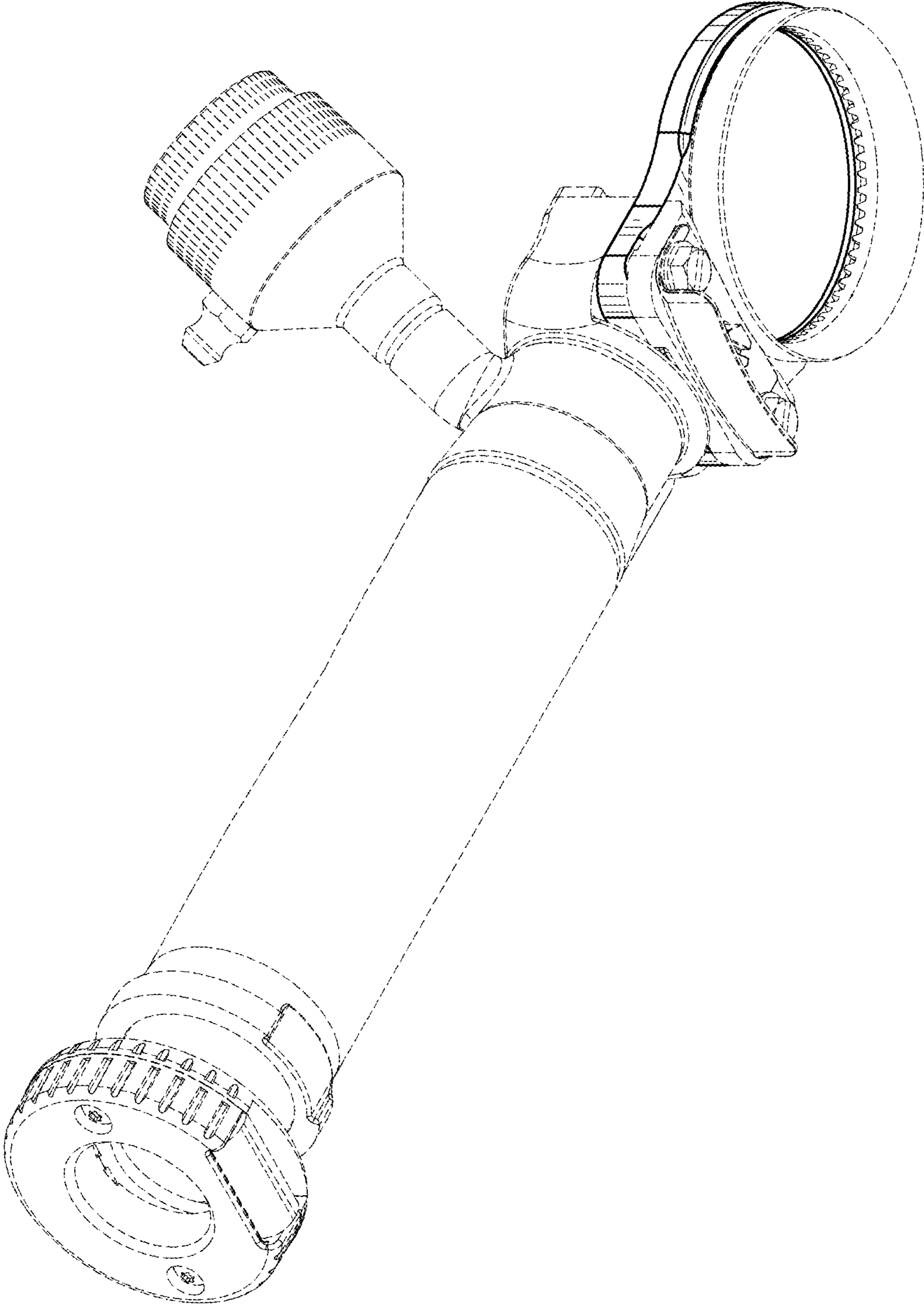


FIG. 2

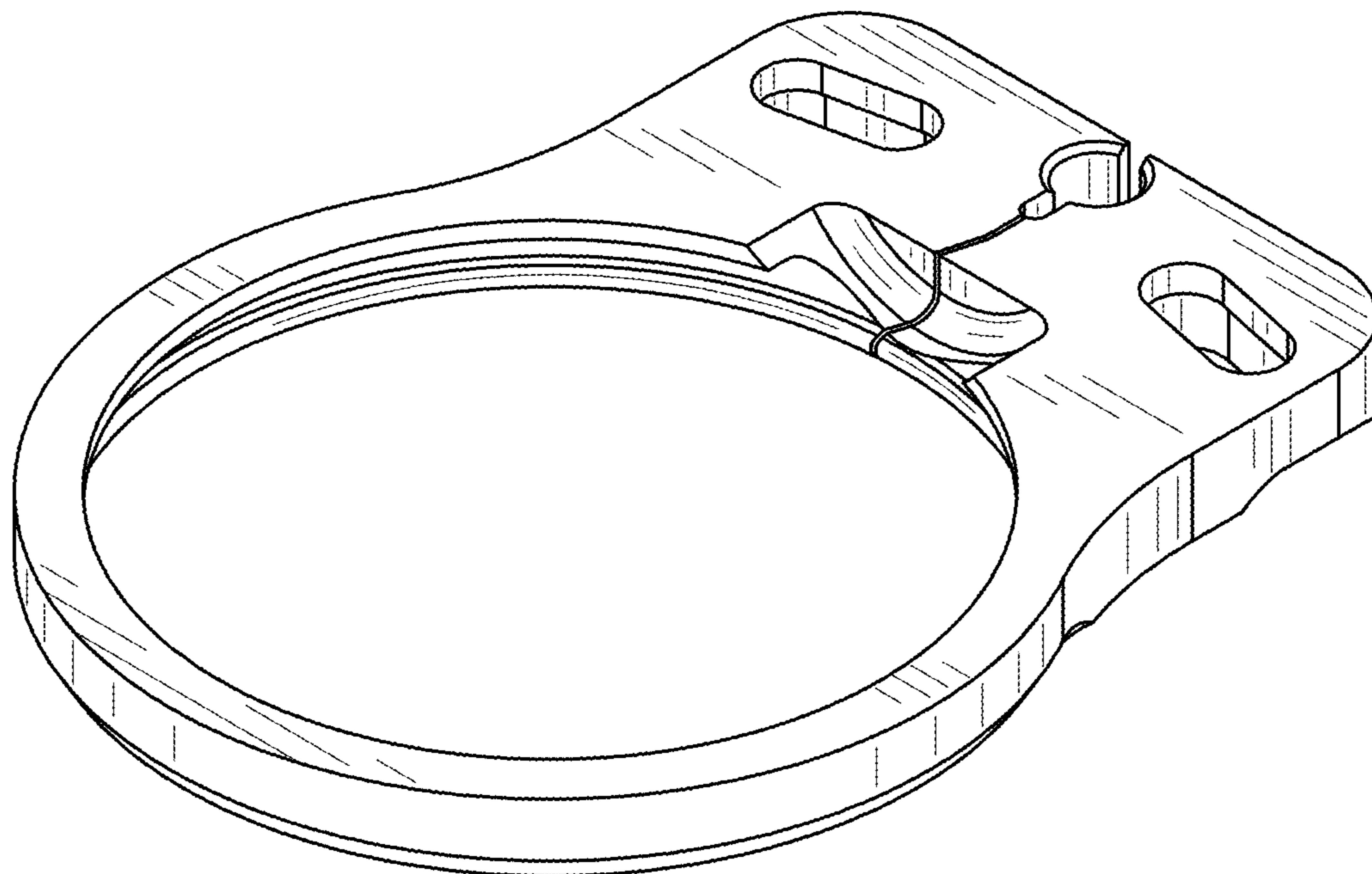


FIG. 3

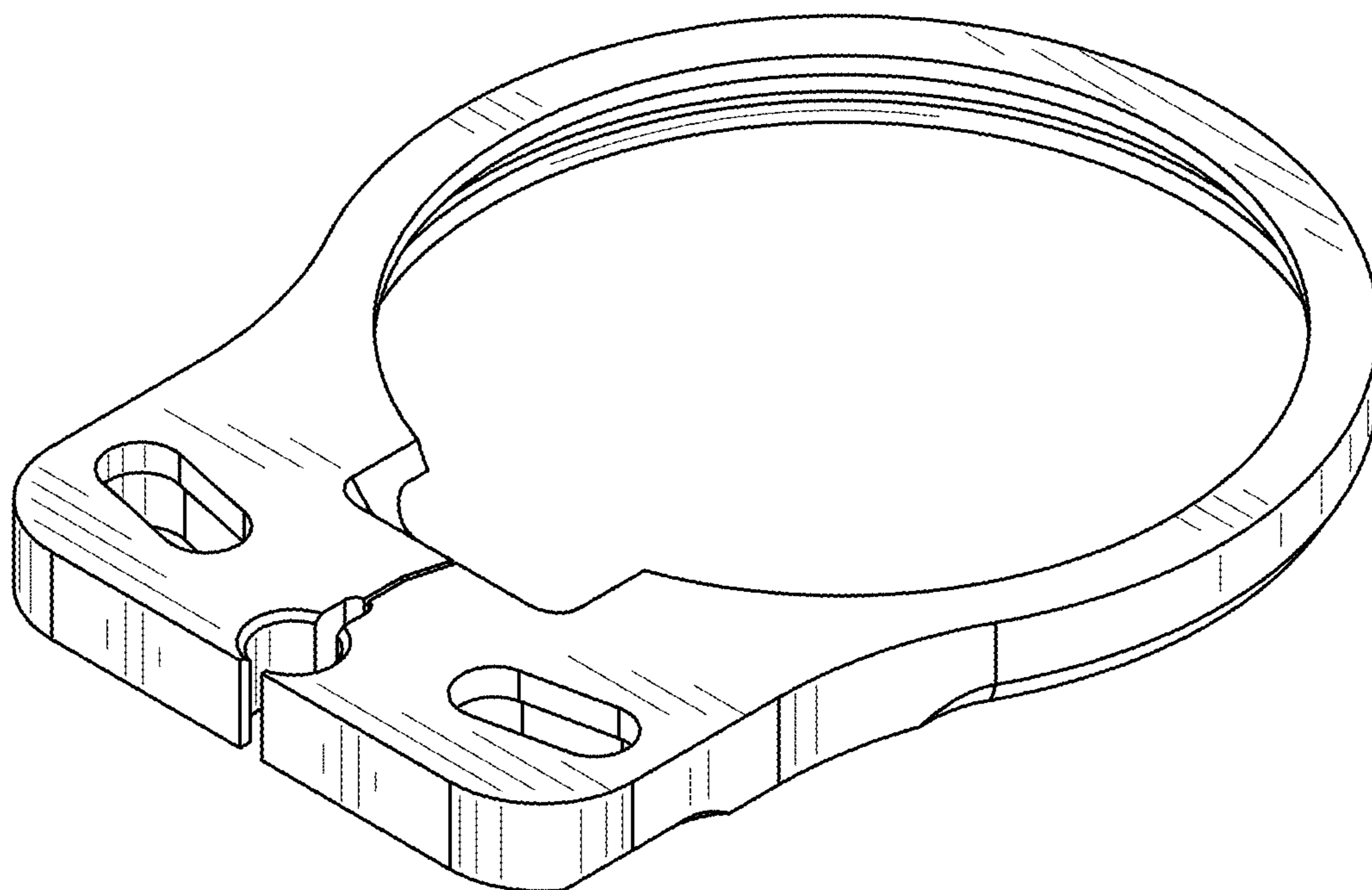


FIG. 4



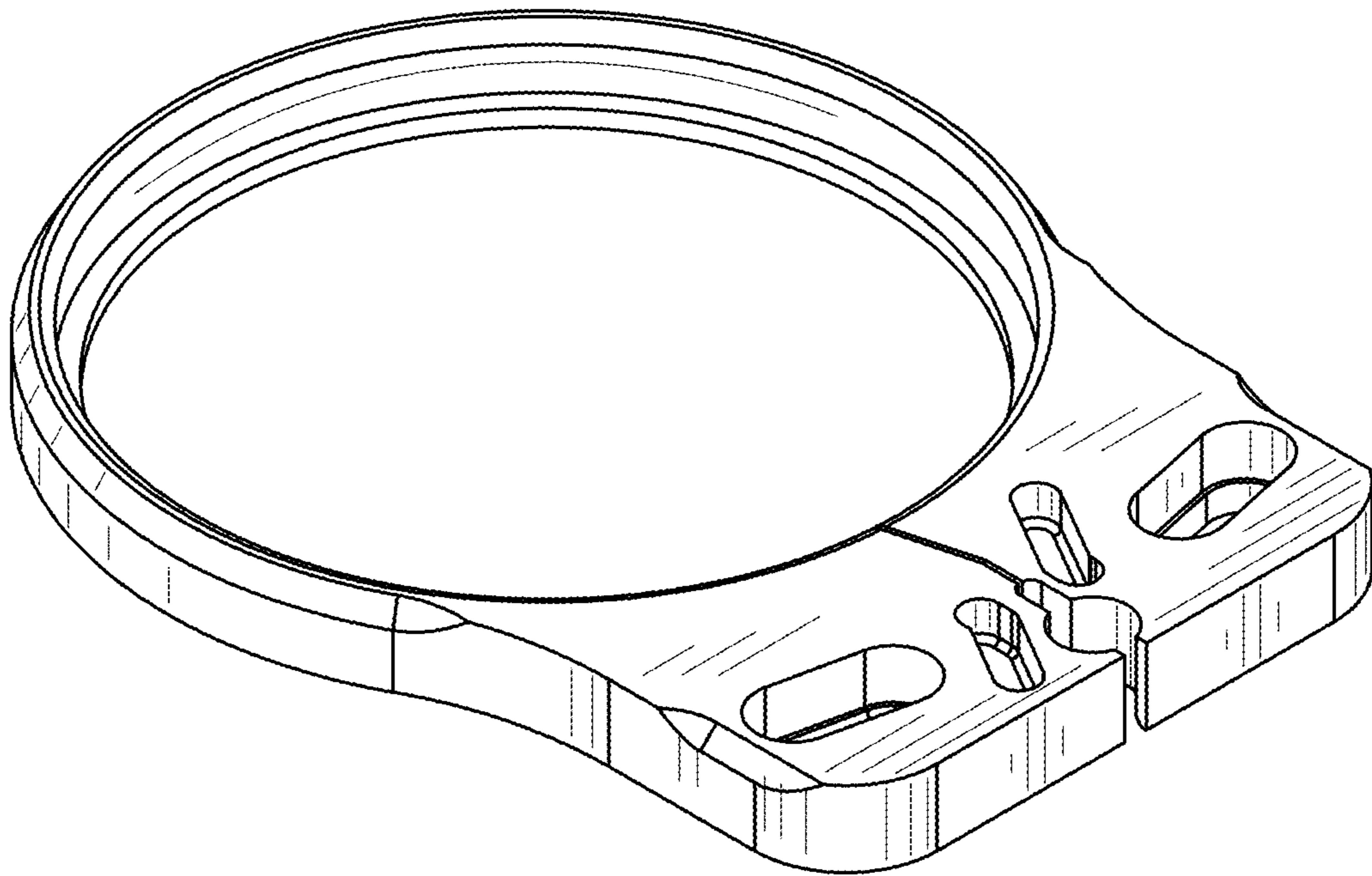


FIG. 5

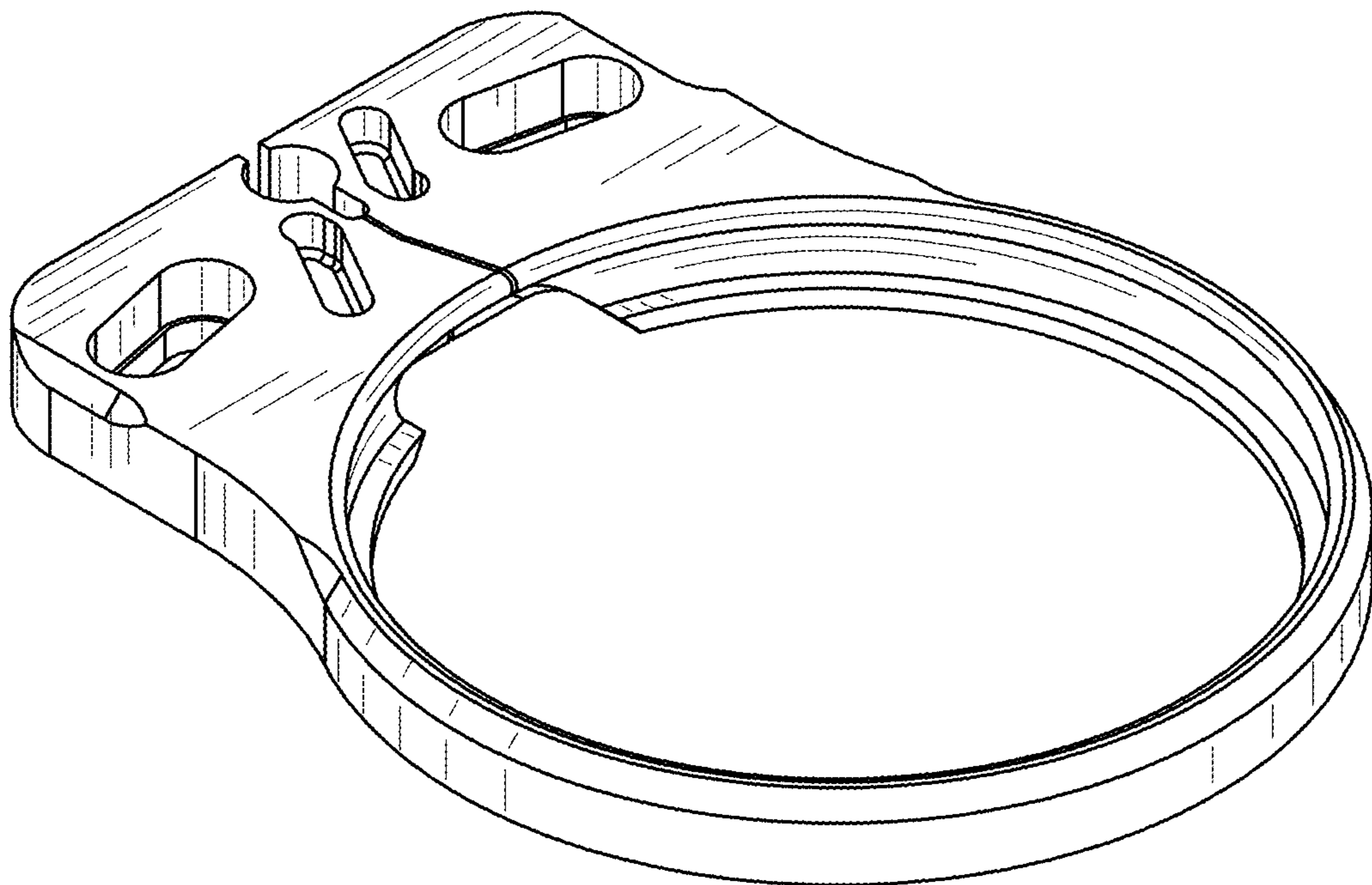


FIG. 6

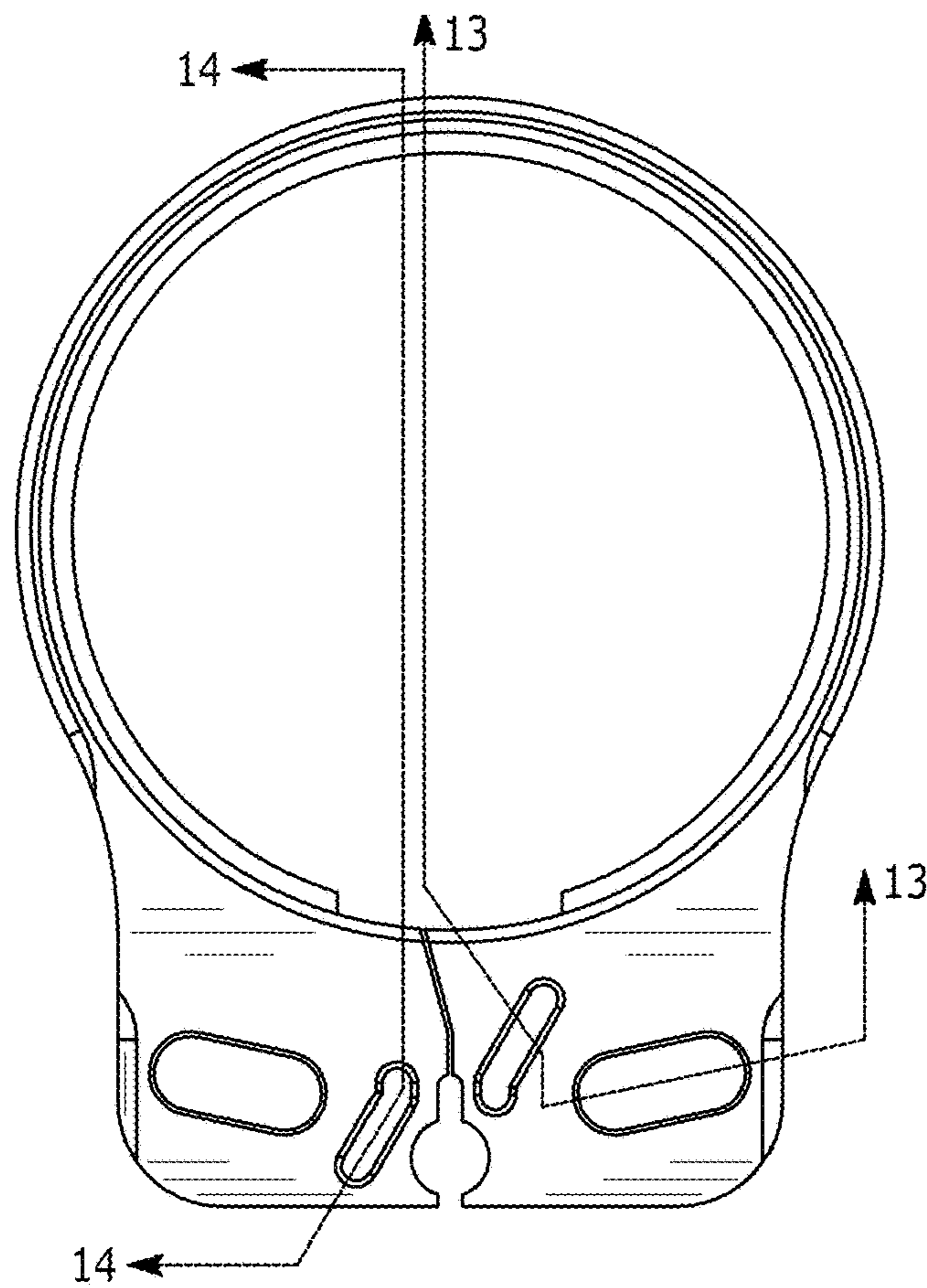


FIG. 7

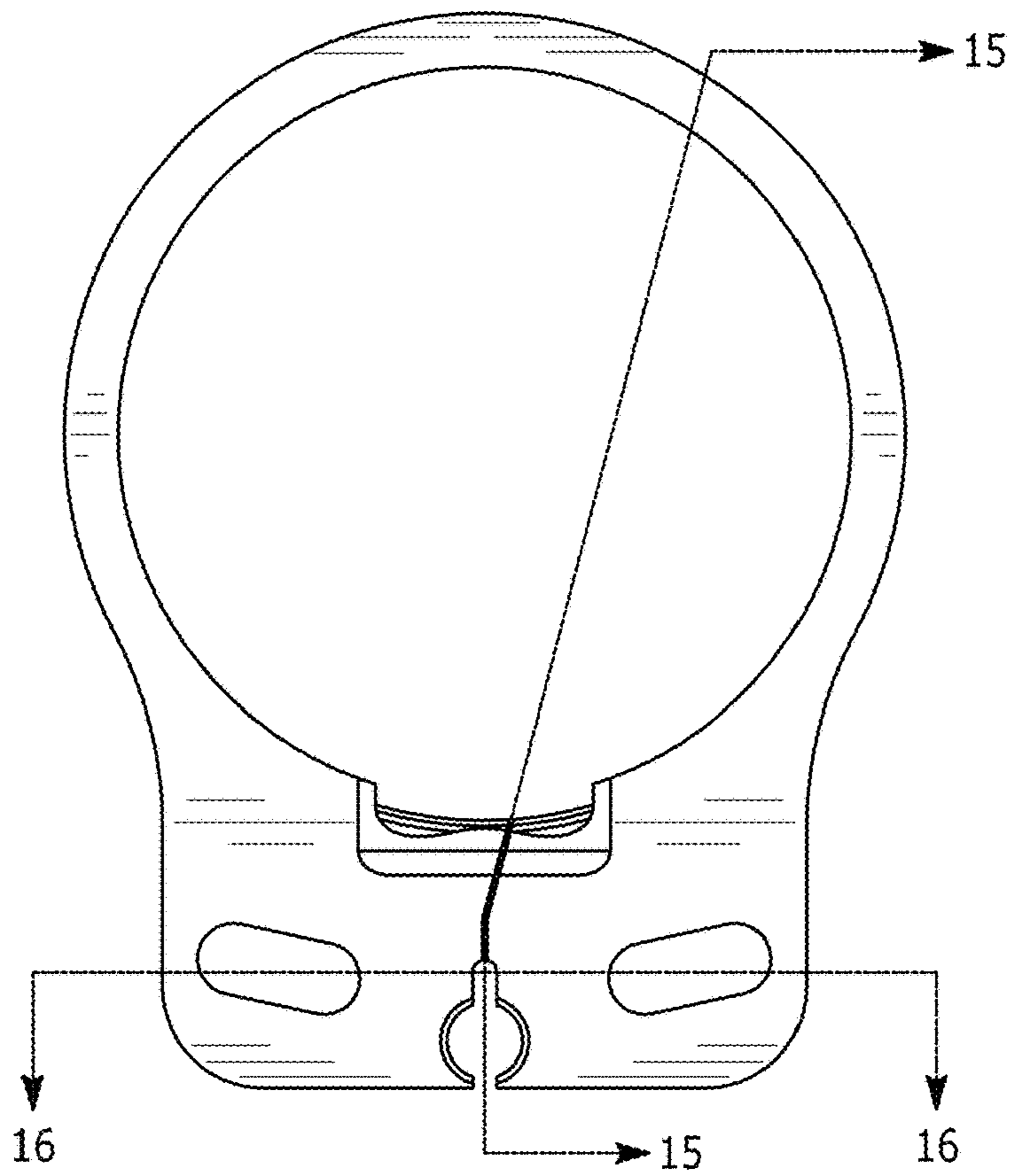


FIG. 8



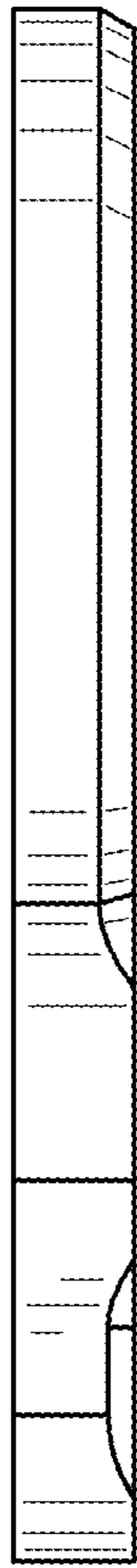


FIG. 9

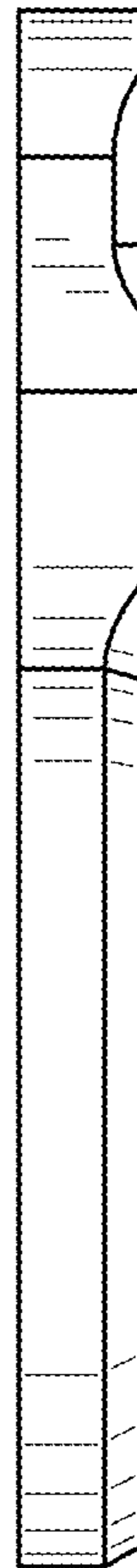


FIG. 10



FIG. 11

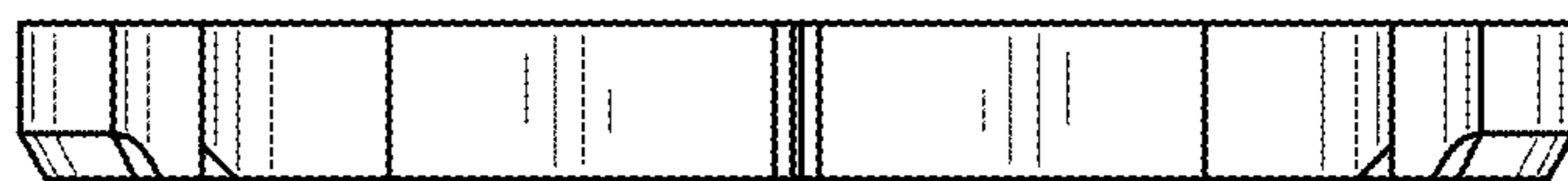


FIG. 12

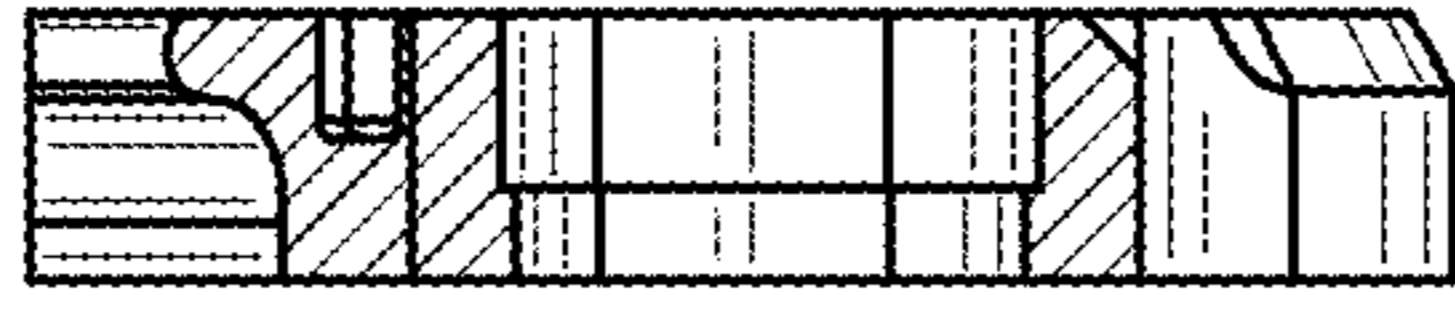


FIG. 13

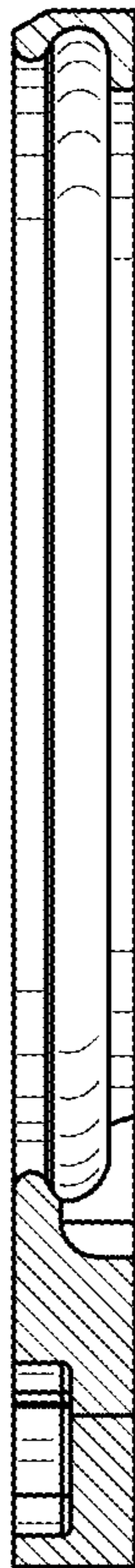


FIG. 14



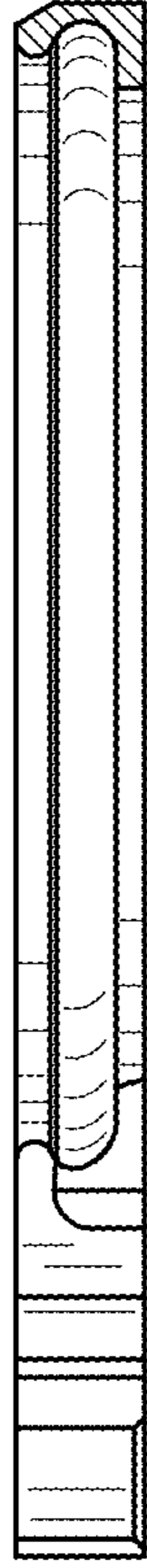


FIG. 15

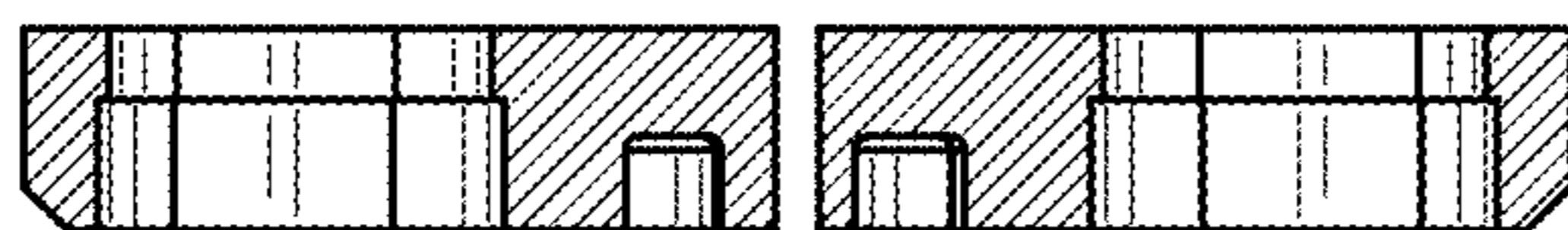


FIG. 16