



US00D912488S

(12) **United States Design Patent** (10) **Patent No.:** **US D912,488 S**
Kirkpatrick et al. (45) **Date of Patent:** **** Mar. 9, 2021**

- (54) **CORDLESS NAILER**
- (71) Applicant: **Black & Decker, Inc.**, New Britain, CT (US)
- (72) Inventors: **Jonathan Kirkpatrick**, Baldwin, MD (US); **Jessica Searfino**, White Marsh, MD (US)
- (73) Assignee: **Black & Decker, Inc.**, New Britain, CT (US)
- (**) Term: **15 Years**
- (21) Appl. No.: **29/716,586**
- (22) Filed: **Dec. 10, 2019**
- (51) **LOC (13) Cl.** **08-05**
- (52) **U.S. Cl.**
USPC **D8/68**
- (58) **Field of Classification Search**
USPC D8/61-70
CPC .. B25C 1/001; B25C 1/04; B25C 1/06; B25C 1/041; B25C 1/047
See application file for complete search history.

- 7,516,532 B2 * 4/2009 Wojcicki B25C 1/005
227/109
- 2006/0118591 A1 * 6/2006 Ho B25C 1/008
227/8
- 2009/0050668 A1 * 2/2009 Jian B25C 5/16
227/126

OTHER PUBLICATIONS

Jim Wilcox. "The Best Finish Nailer." *The Smart Consumer*, Feb. 10, 2018 [online], [retrieved on Oct. 12, 2020]. Retrieved from the Internet <URL: <https://www.thesmartconsumer.com/best-finish-nailer/>>.*

Michael M Selby. "7 Best Finish Nailer Reviews 2019 | A Complete Buying Guide to Choose Top Finish Nailerr." *Tools Ivy*, Dec. 31, 2018 [online], [retrieved on Oct. 12, 2020]. Retrieved from the Internet <URL: <https://toolsivy.com/best-finish-nailer/>>.*

* cited by examiner

Primary Examiner — Darlington Ly

(74) *Attorney, Agent, or Firm* — Rhonda Barton

(57) **CLAIM**

The ornamental design for a cordless nailer, as shown and described.

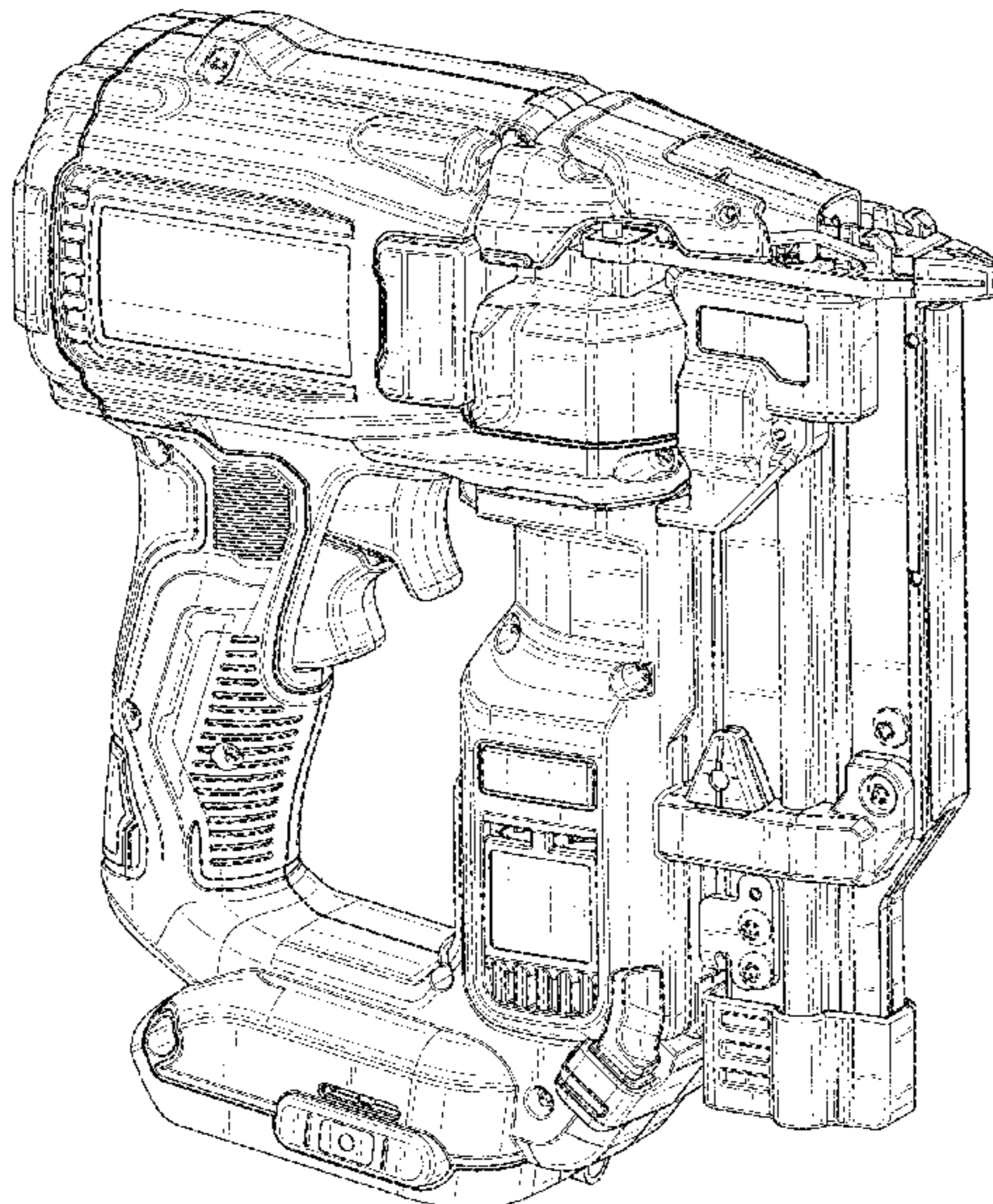
DESCRIPTION

FIG. 1 is a top and right-side perspective view of a cordless nailer showing our new design;
 FIG. 2 is a top and left-side perspective view of the design of FIG. 1;
 FIG. 3 is a right-side elevation view thereof;
 FIG. 4 is a left-side elevation view thereof;
 FIG. 5 is a front elevation view thereof;
 FIG. 6 is a rear elevation view thereof;
 FIG. 7 is a top plan view thereof; and,
 FIG. 8 is a bottom plan view thereof.
 The broken lines in the drawings illustrate portions of the cordless nailer that form no part of the claimed design.

1 Claim, 8 Drawing Sheets

(56) **References Cited**
 U.S. PATENT DOCUMENTS

- 6,045,024 A * 4/2000 Phillips B25C 1/005
227/10
- D435,769 S * 1/2001 Etter D8/68
- D475,597 S * 6/2003 Arai D8/68
- D478,490 S * 8/2003 Wu D8/68
- D479,110 S * 9/2003 Nolan D8/68
- 6,913,180 B2 * 7/2005 Schuster B25C 1/005
227/109
- D512,622 S * 12/2005 Thomas D8/69
- D553,931 S * 10/2007 Buck D8/68
- 7,284,685 B1 * 10/2007 Wojcicki B25C 1/005
227/119
- 7,413,105 B1 * 8/2008 Ho B25C 1/001
227/120



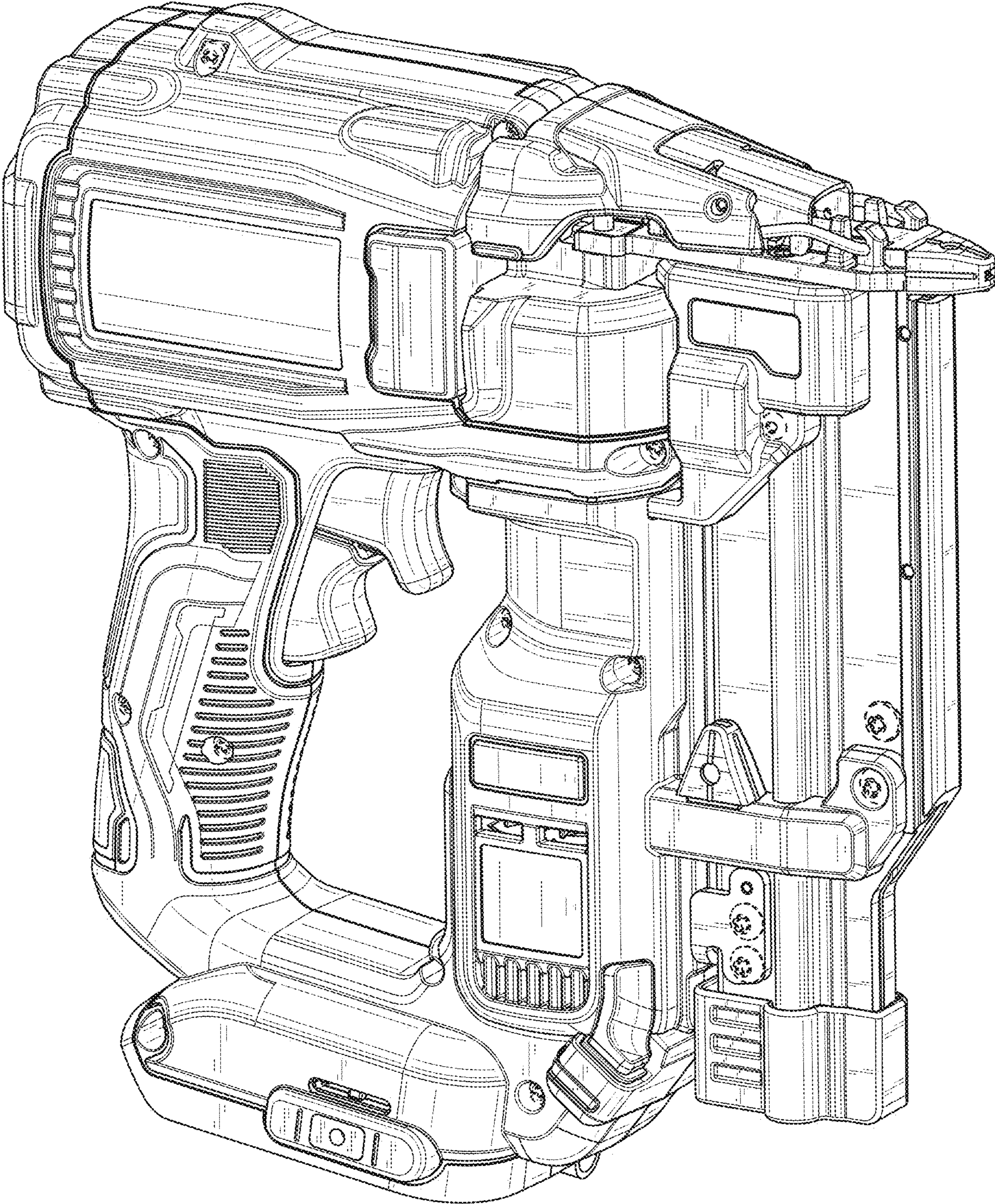


FIG. 1

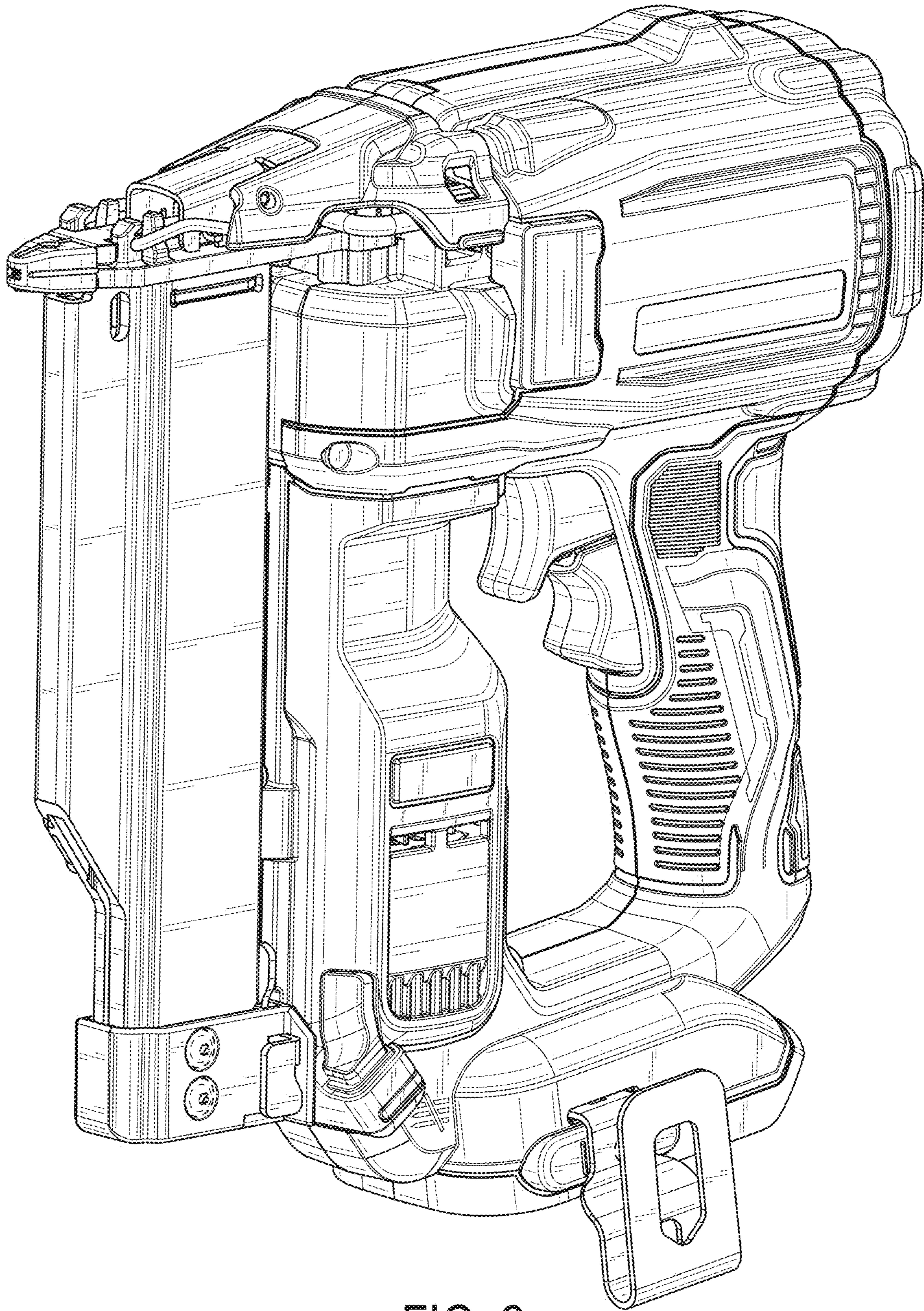


FIG. 2

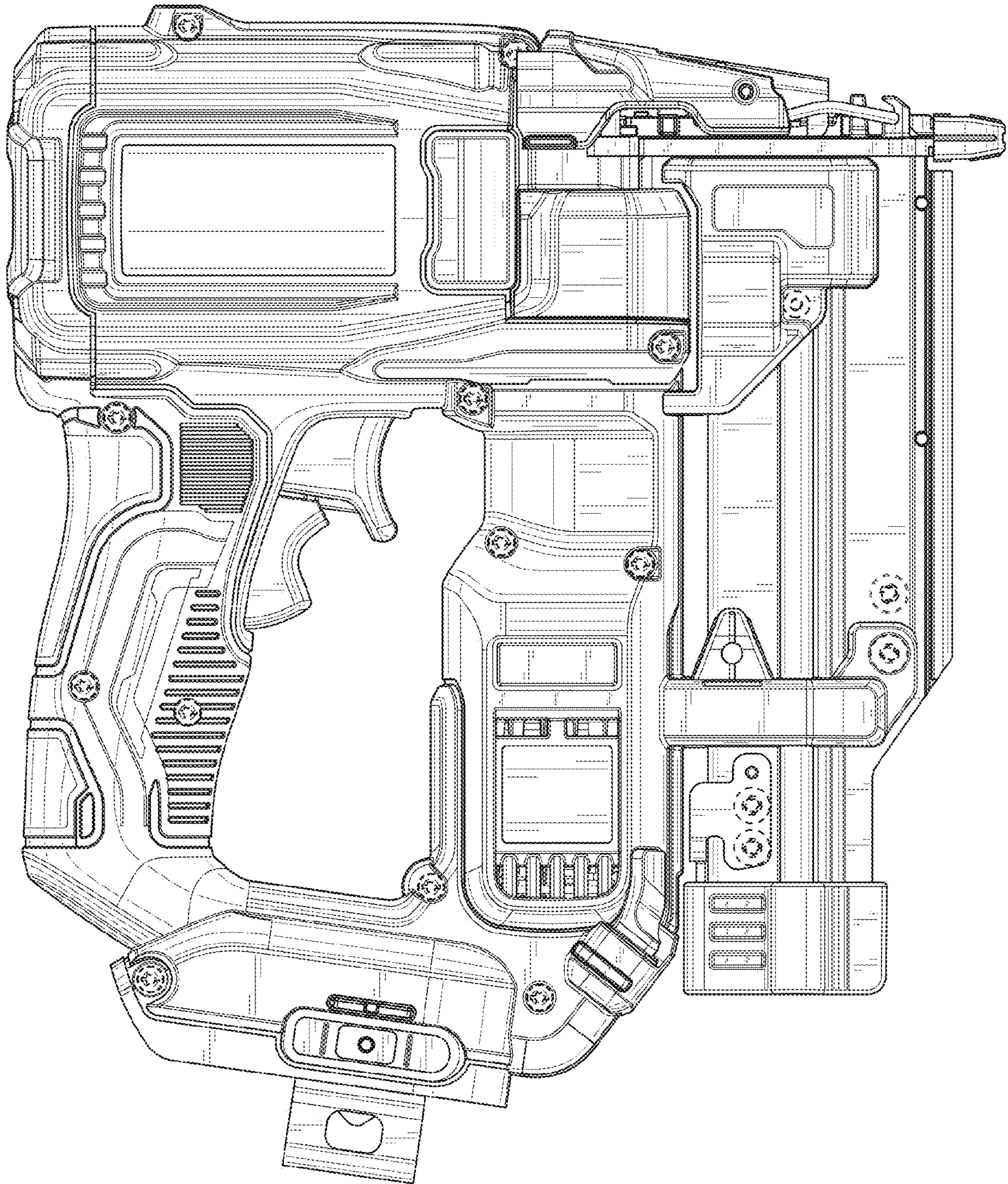


FIG. 3

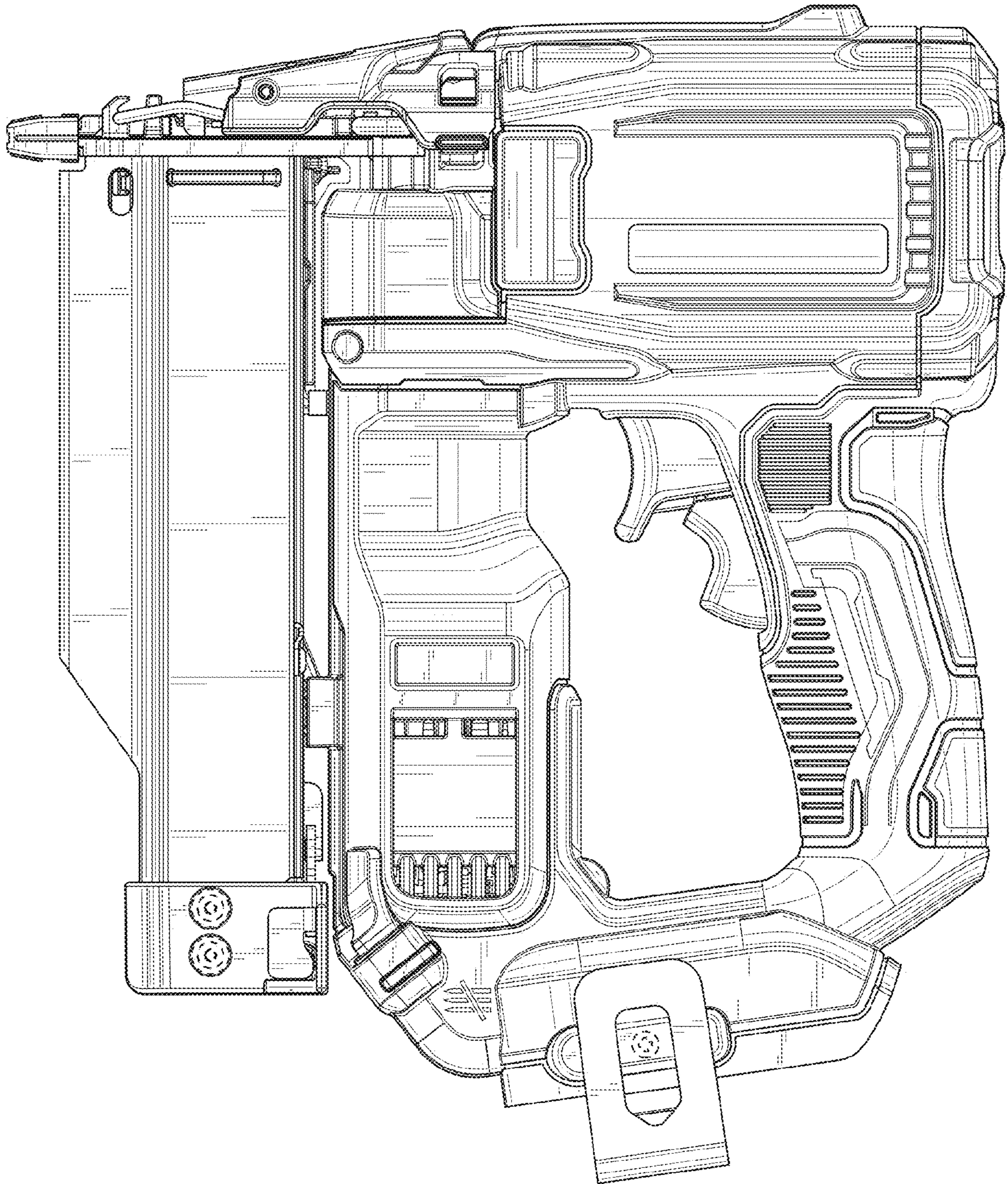


FIG. 4

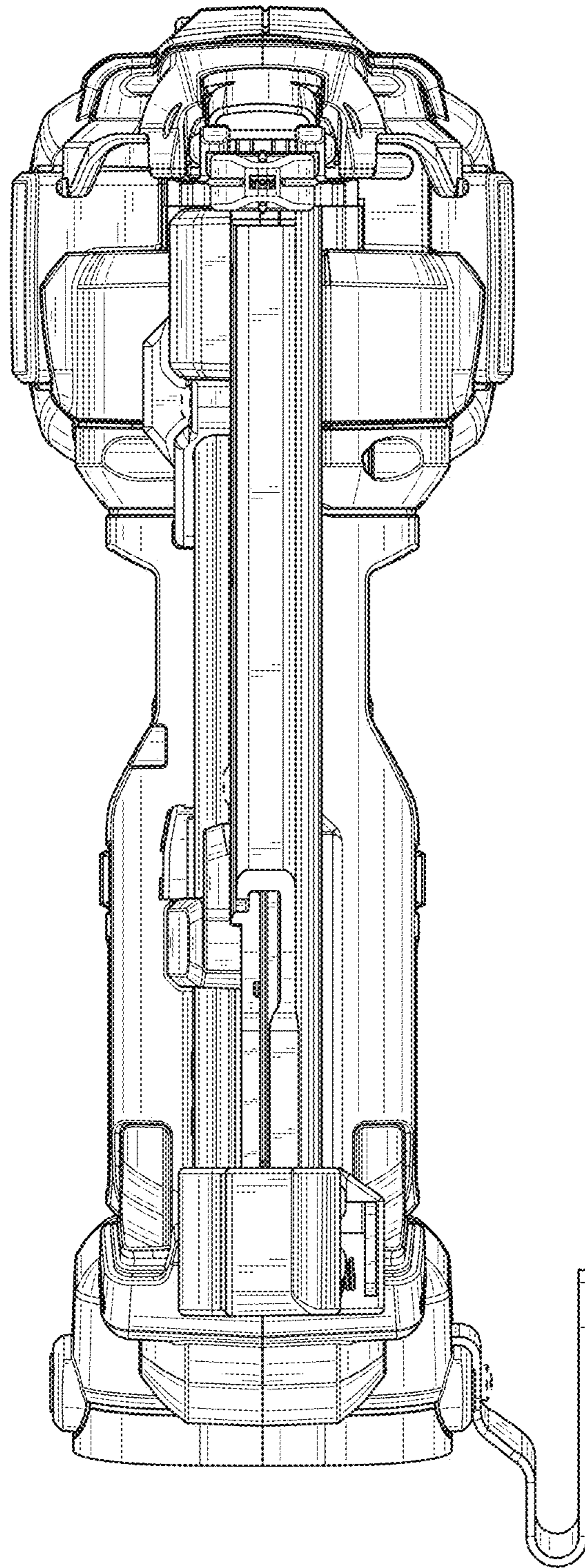


FIG. 5

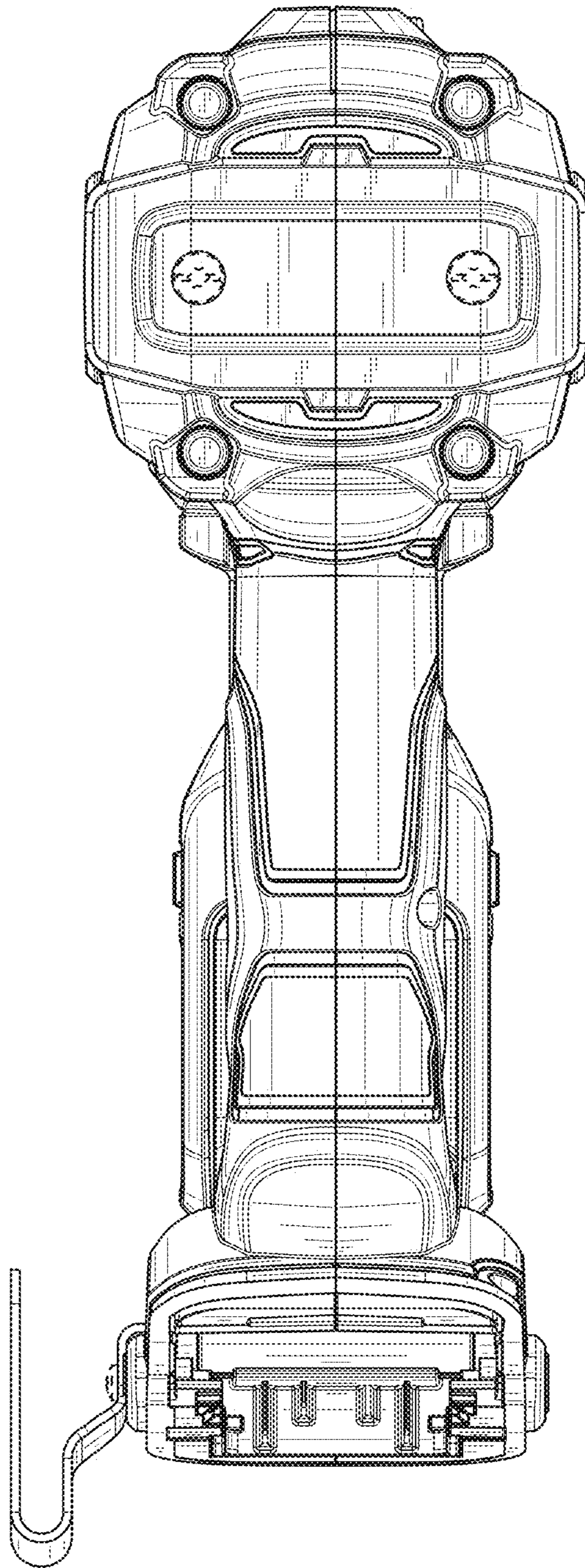


FIG. 6

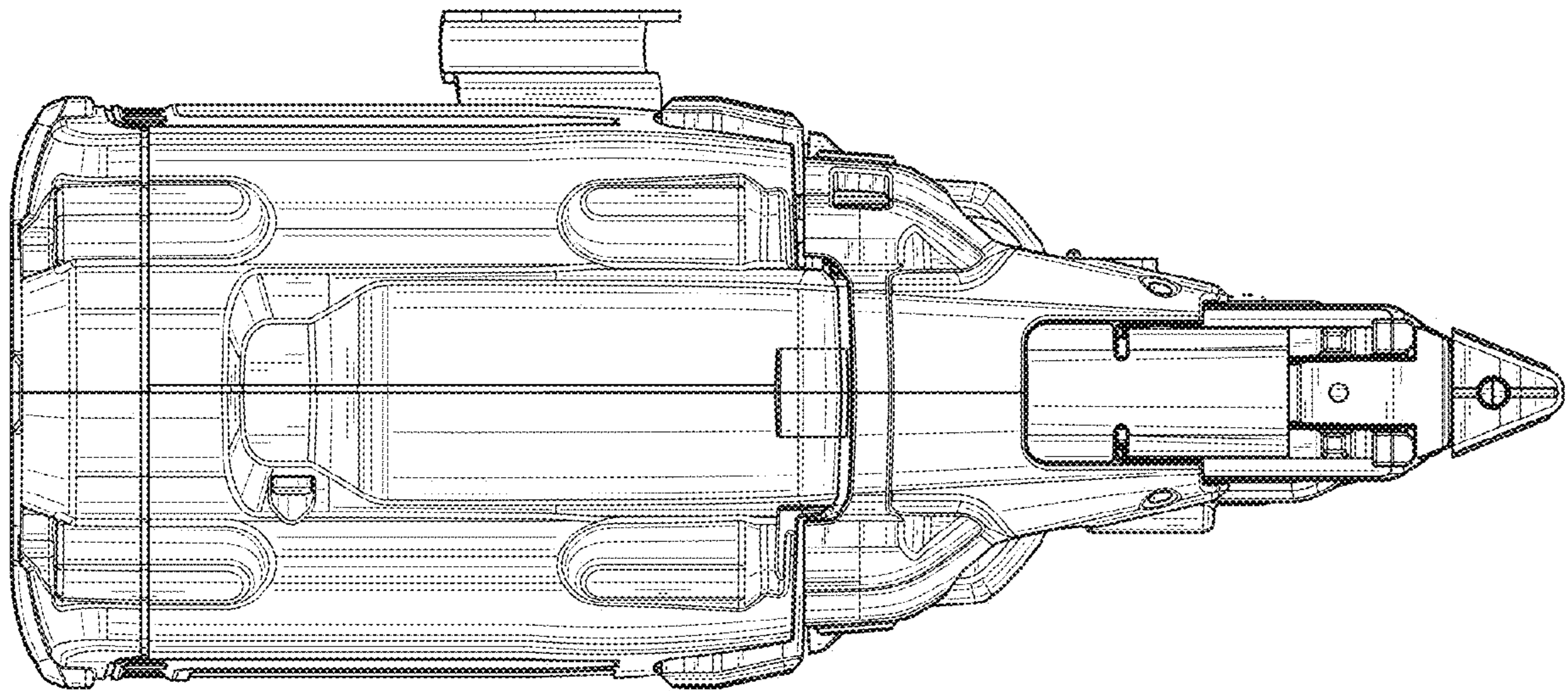


FIG. 7

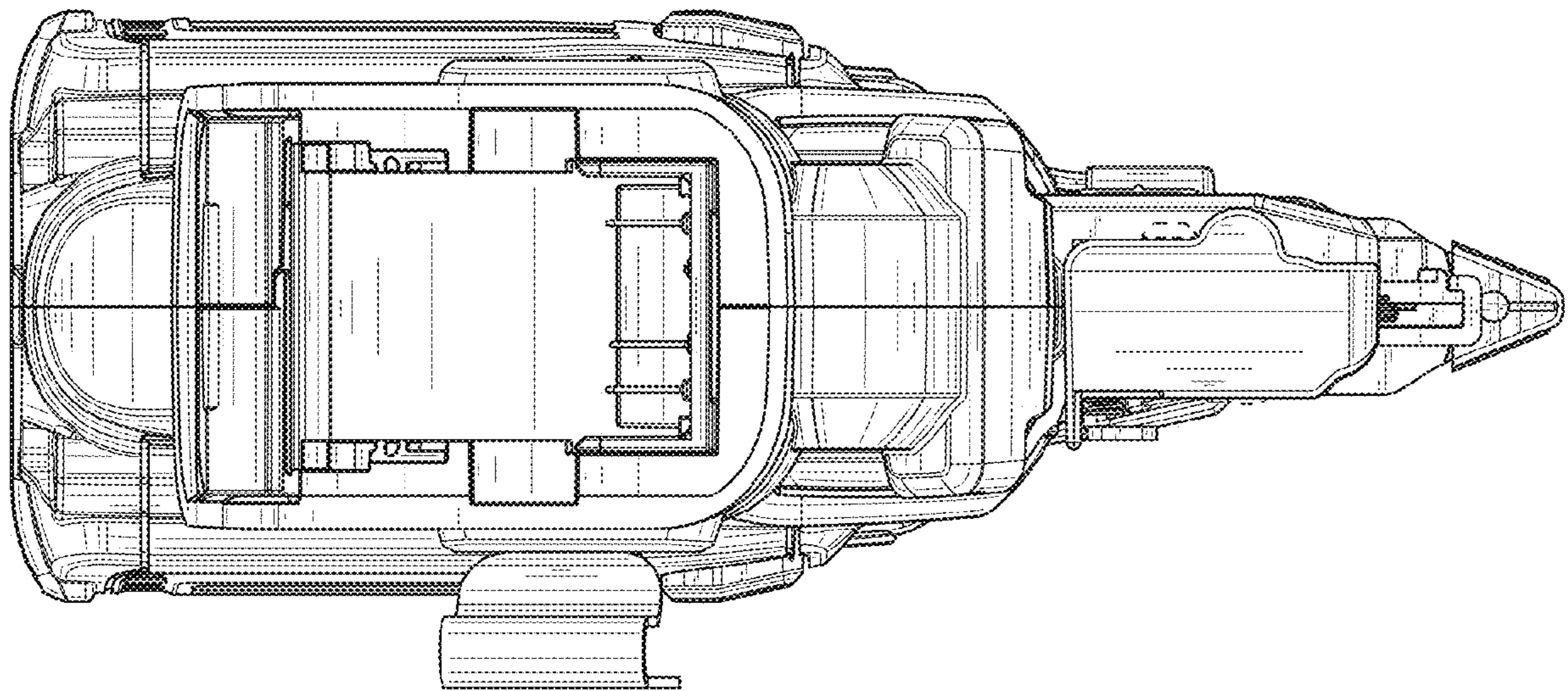


FIG. 8