



US00D912486S

(12) **United States Design Patent** (10) **Patent No.:** **US D912,486 S**
Miller (45) **Date of Patent:** **** Mar. 9, 2021**

(54) **DEHIDING TOOL**
(71) Applicant: **Bettcher Industries, Inc.**, Birmingham, OH (US)
(72) Inventor: **Robert Miller**, Elyria, OH (US)
(73) Assignee: **Bettcher Industries Inc.**, Birmingham, OH (US)
(**) Term: **15 Years**

7,722,448 B2 5/2010 Gwyther
7,963,829 B2 6/2011 Gwyther
8,047,901 B2 11/2011 Gwyther
8,806,761 B2 8/2014 Whited et al.
8,905,827 B1 12/2014 Rou
9,121,438 B2 9/2015 Mascari
9,265,263 B2 2/2016 Whited et al.
9,480,263 B2 11/2016 Van Der Leest et al.
9,516,887 B1 12/2016 Ewers
9,615,588 B2 4/2017 Karubian
9,833,919 B2 12/2017 Mascari et al.
9,913,482 B2 3/2018 Karubian

(Continued)

(21) Appl. No.: **29/692,237**
(22) Filed: **May 23, 2019**
(51) **LOC (13) Cl.** **08-05**
(52) **U.S. Cl.**
USPC **D8/61; D8/66**
(58) **Field of Classification Search**
USPC D8/61, 64, 66
CPC A22B 5/16; A22B 5/161; A22B 5/163;
A22B 5/166; A22B 5/168; A22C 17/12
See application file for complete search history.

Primary Examiner — Philip S Hyder
(74) *Attorney, Agent, or Firm* — Tarolli, Sundheim, Covell & Tummino LLP; John A. Yirga, Esq.

(57) **CLAIM**

The ornamental design for a dehiding tool, as shown and described.

DESCRIPTION

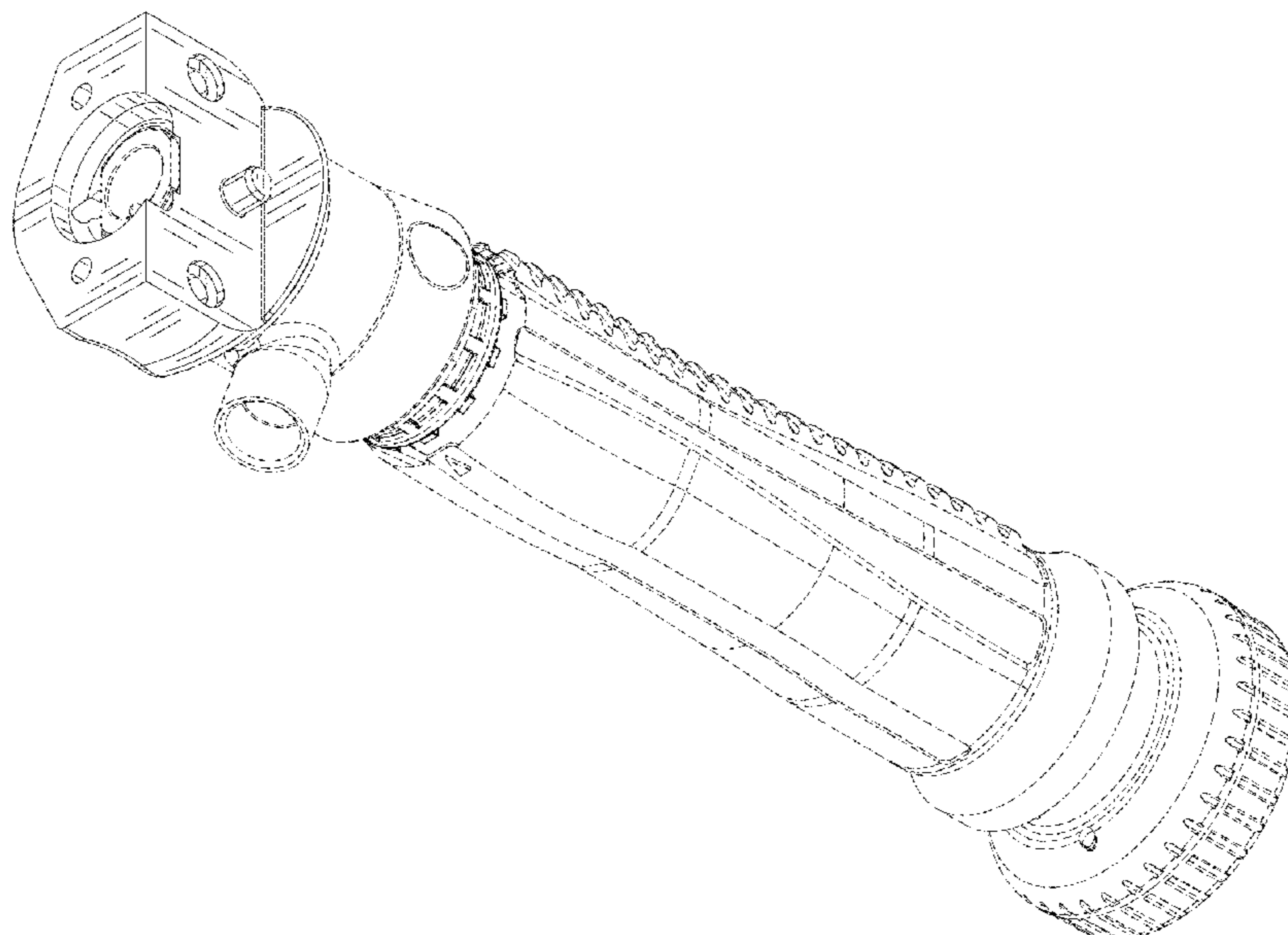
FIG. 1 is an upper-right perspective view illustrating my ornamental design comprising a dehiding tool; FIG. 2 is an upper-left perspective view thereof; FIG. 3 is a lower-right perspective view thereof; FIG. 4 is a lower-left perspective view thereof; FIG. 5 is a bottom-plan view thereof; FIG. 6 is a top-plan view thereof; FIG. 7 is a left-side elevation view thereof; FIG. 8 is a right-side elevation view thereof; FIG. 9 is a front-elevation view thereof; FIG. 10 is a rear-elevation view thereof; FIG. 11 is a section view of FIG. 6 along section lines 11-11; and, FIG. 12 is a section view of FIG. 9 along section lines 12-12. The broken lines depict portions of the dehiding tool in which the design is embodied that are not considered part of the claimed design.

(56) **References Cited**

U.S. PATENT DOCUMENTS

1,379,153 A 5/1921 Young
1,507,245 A 9/1924 Nankivell
1,932,511 A 10/1933 Clarke
2,344,262 A 3/1944 Odiema et al.
3,197,808 A 8/1965 Mears
3,857,177 A * 12/1974 Karubian A22B 5/163
30/216
4,071,923 A 2/1978 Smith
4,186,471 A 2/1980 Wehrmann et al.
4,451,953 A 6/1984 Leining
4,894,915 A 1/1990 Decker et al.
D316,220 S * 4/1991 Ailey, Jr. D8/66
D470,735 S * 2/2003 Heun D8/61
7,163,453 B1 1/2007 Gwyther
D559,057 S * 1/2008 Pan D8/61

1 Claim, 8 Drawing Sheets



(56)

References Cited

U.S. PATENT DOCUMENTS

10,034,480	B2	7/2018	Grinaski	
10,040,211	B2	8/2018	Whited	
10,405,558	B2	9/2019	Chappell	
D879,575	S *	3/2020	Liu	D8/61
10,731,713	B1	8/2020	Gall et al.	
2004/0216976	A1	11/2004	Droste	
2009/0223337	A1	9/2009	Wikle et al.	
2013/0104404	A1	5/2013	Levsen	
2014/0236180	A1	8/2014	Shafirstein et al.	
2015/0099442	A1 *	4/2015	Karubian	A22B 5/168 452/133
2016/0031103	A1	2/2016	Mascari et al.	
2017/0142985	A1	5/2017	Chappell, Jr.	
2018/0162002	A1	6/2018	Whited et al.	
2018/0345514	A1	12/2018	Whited et al.	
2019/0069564	A1	3/2019	Sukey	

* cited by examiner

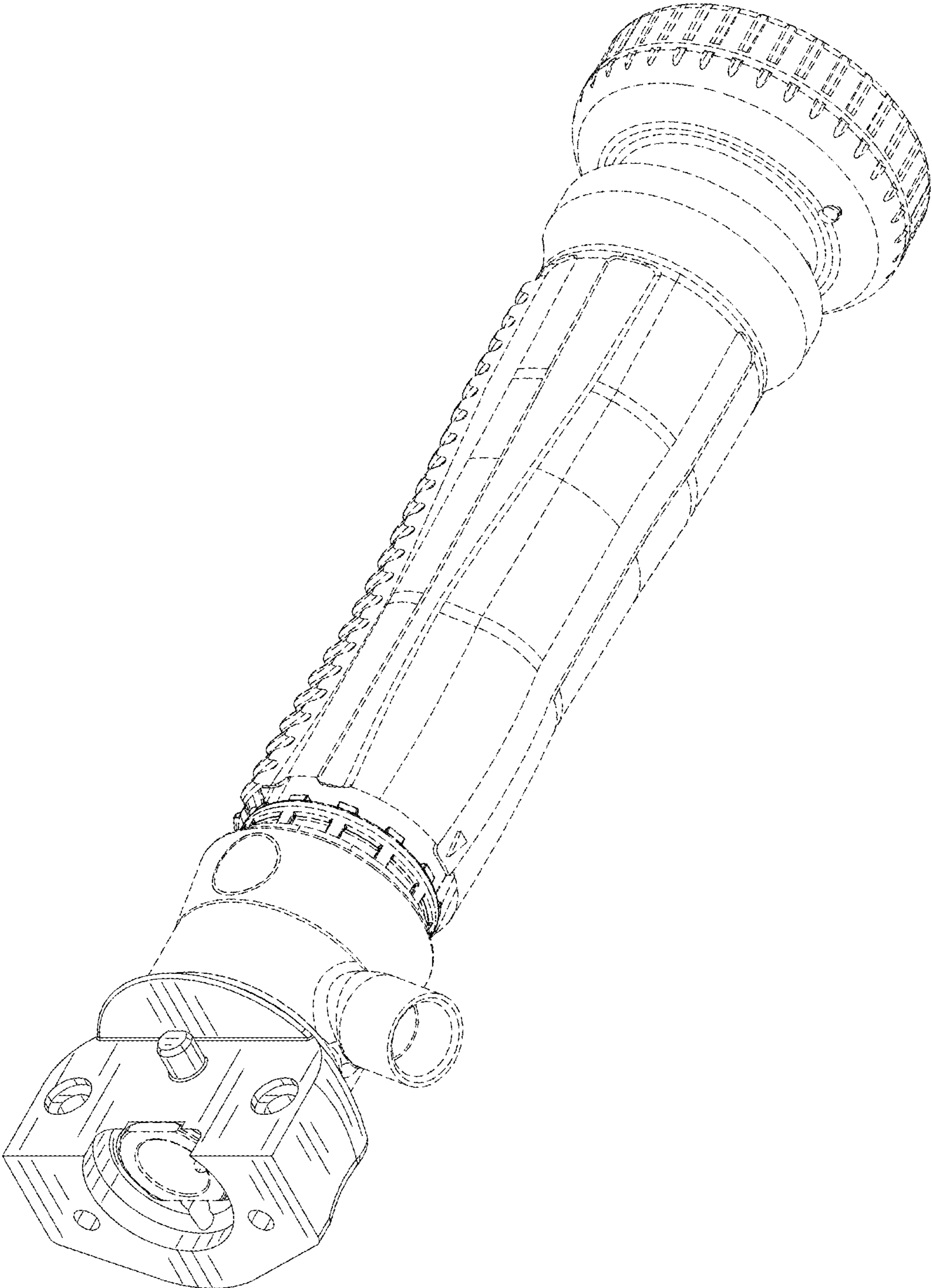


FIG. 1

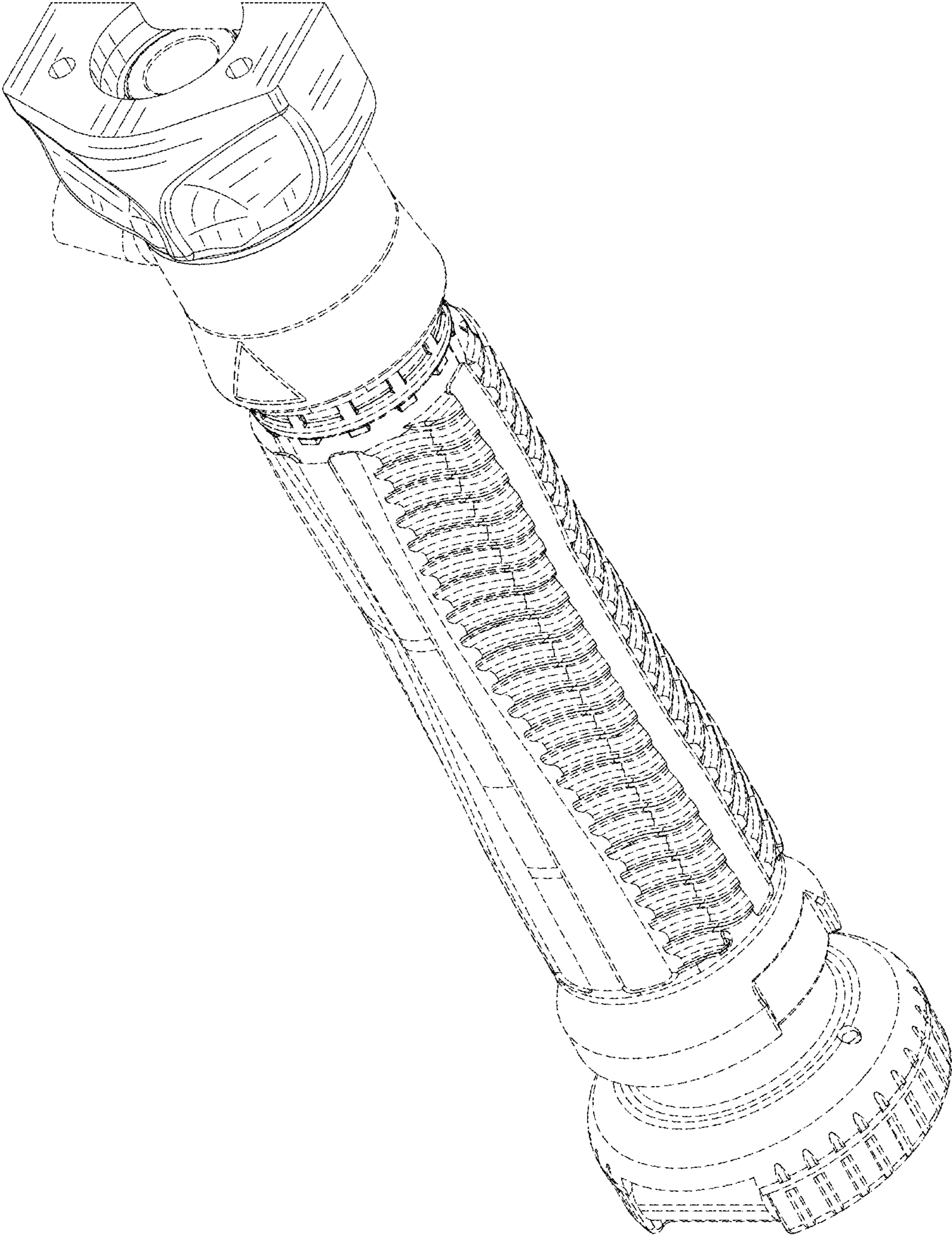


FIG. 2

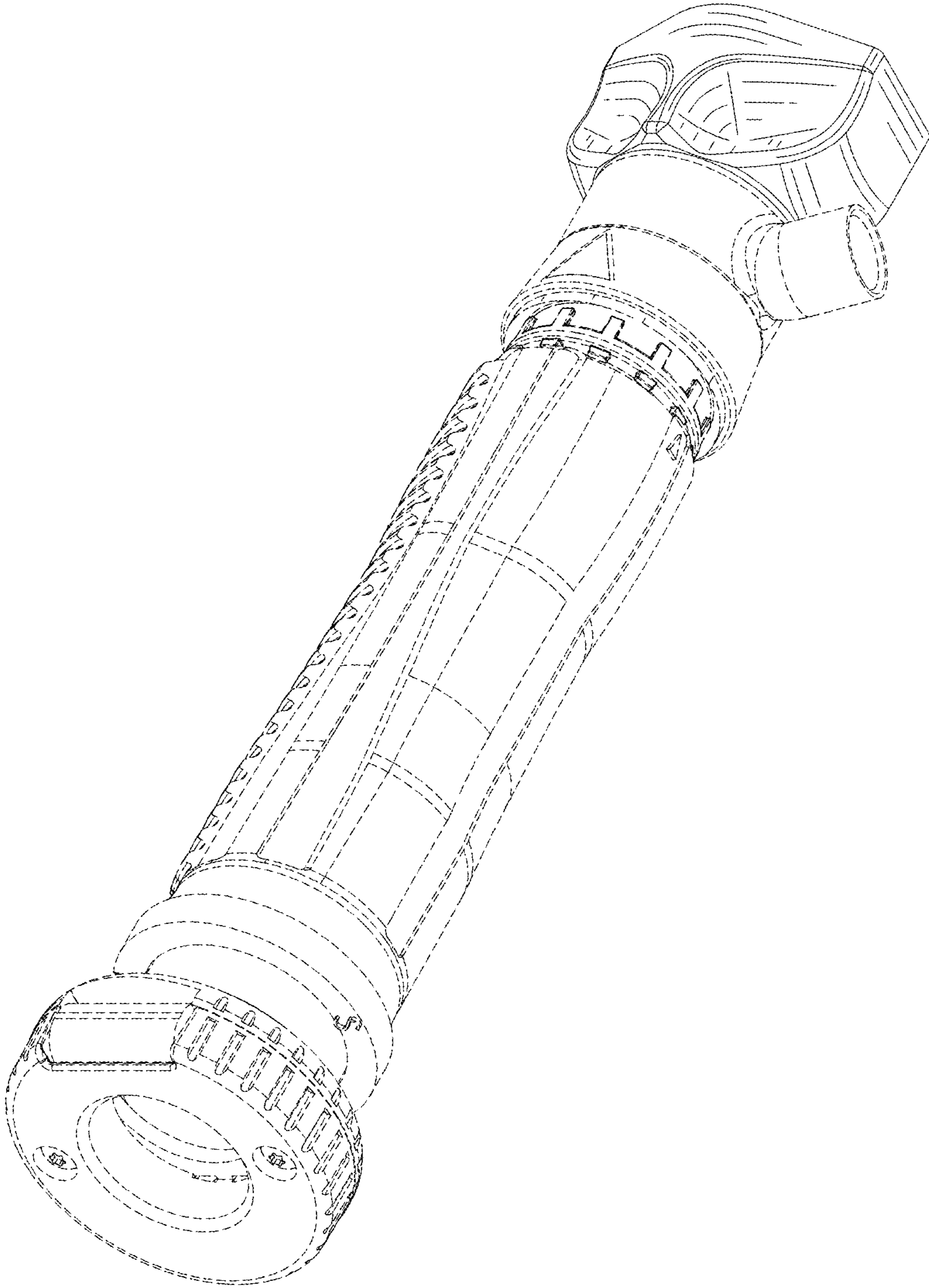


FIG. 3

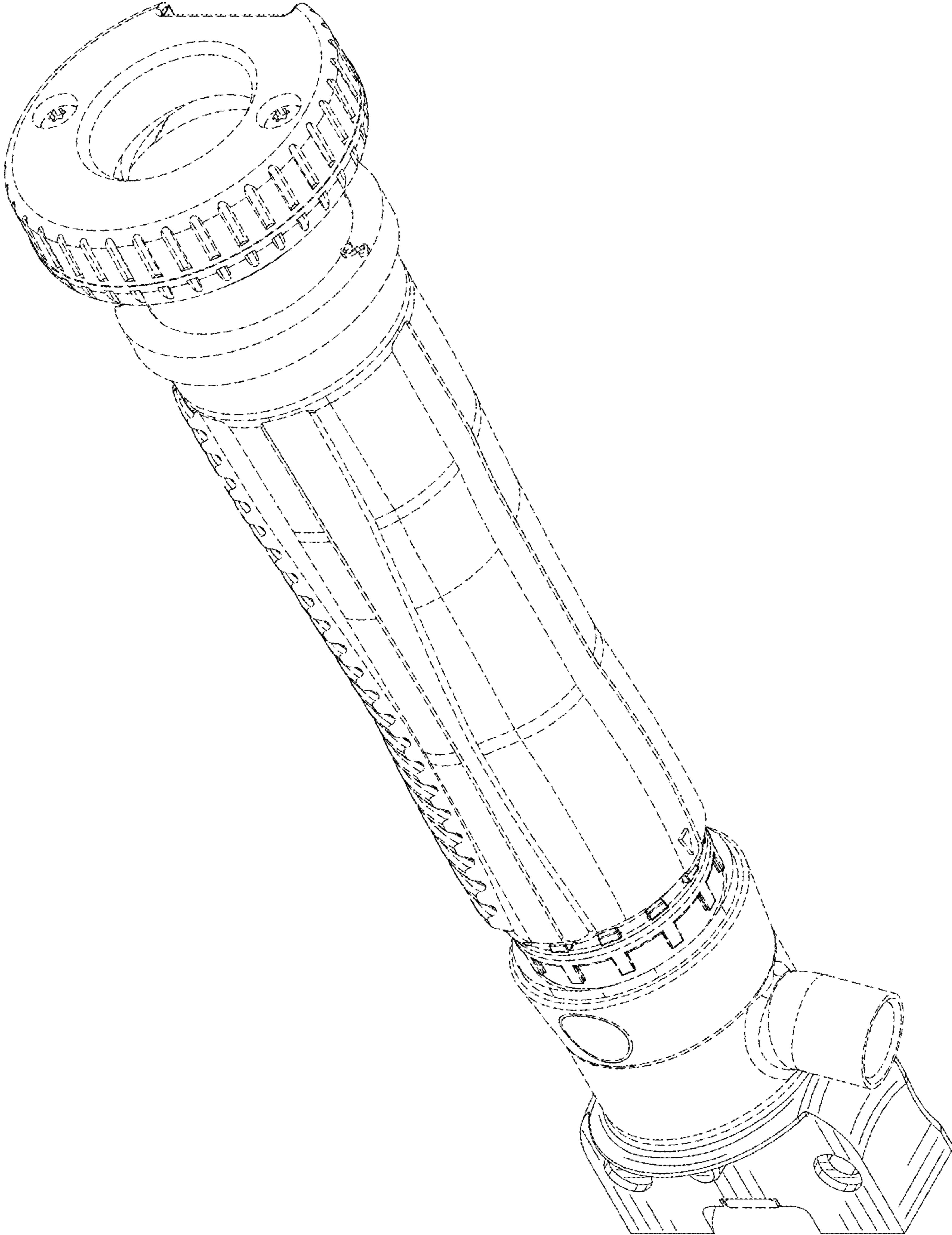


FIG. 4

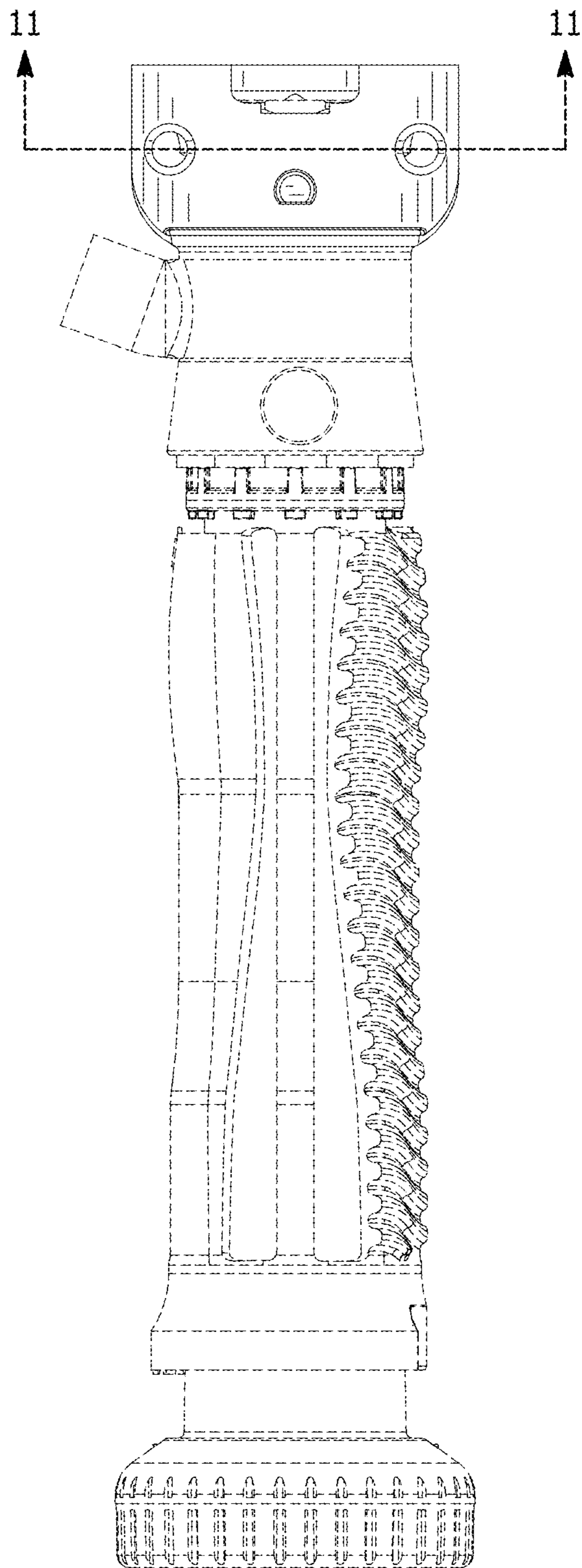
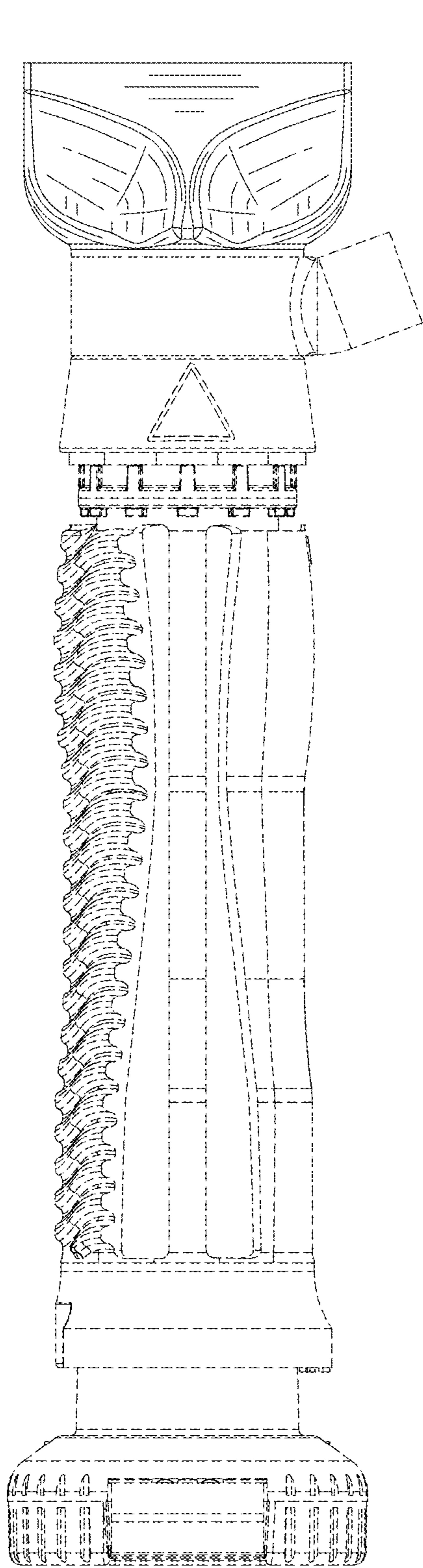


FIG. 5

FIG. 6

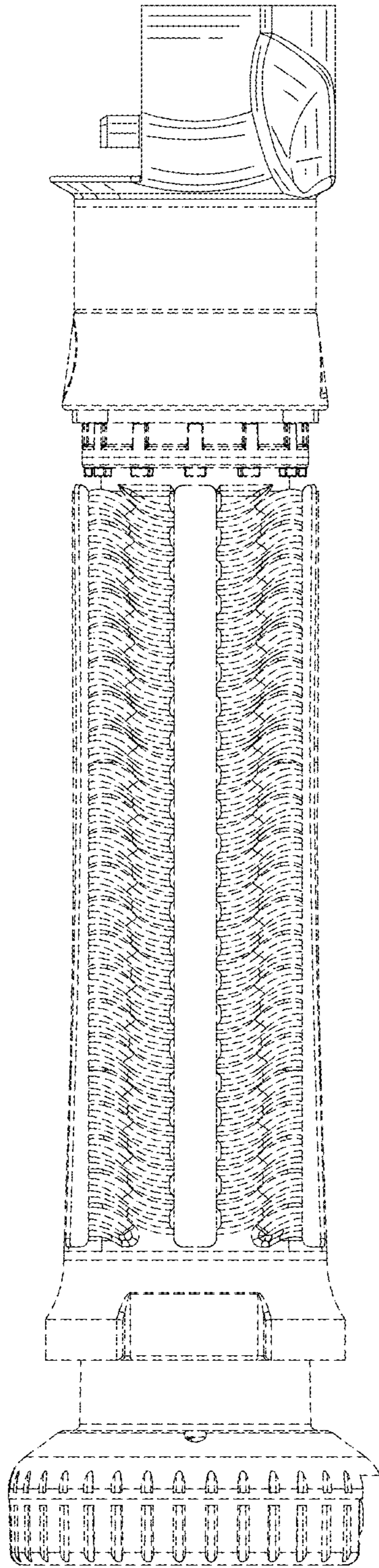


FIG. 7

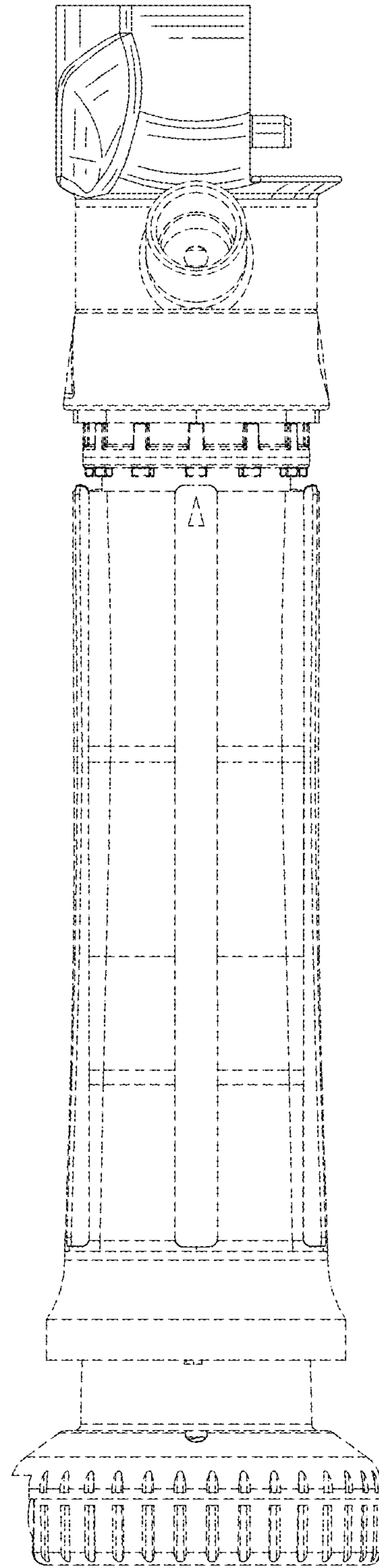


FIG. 8

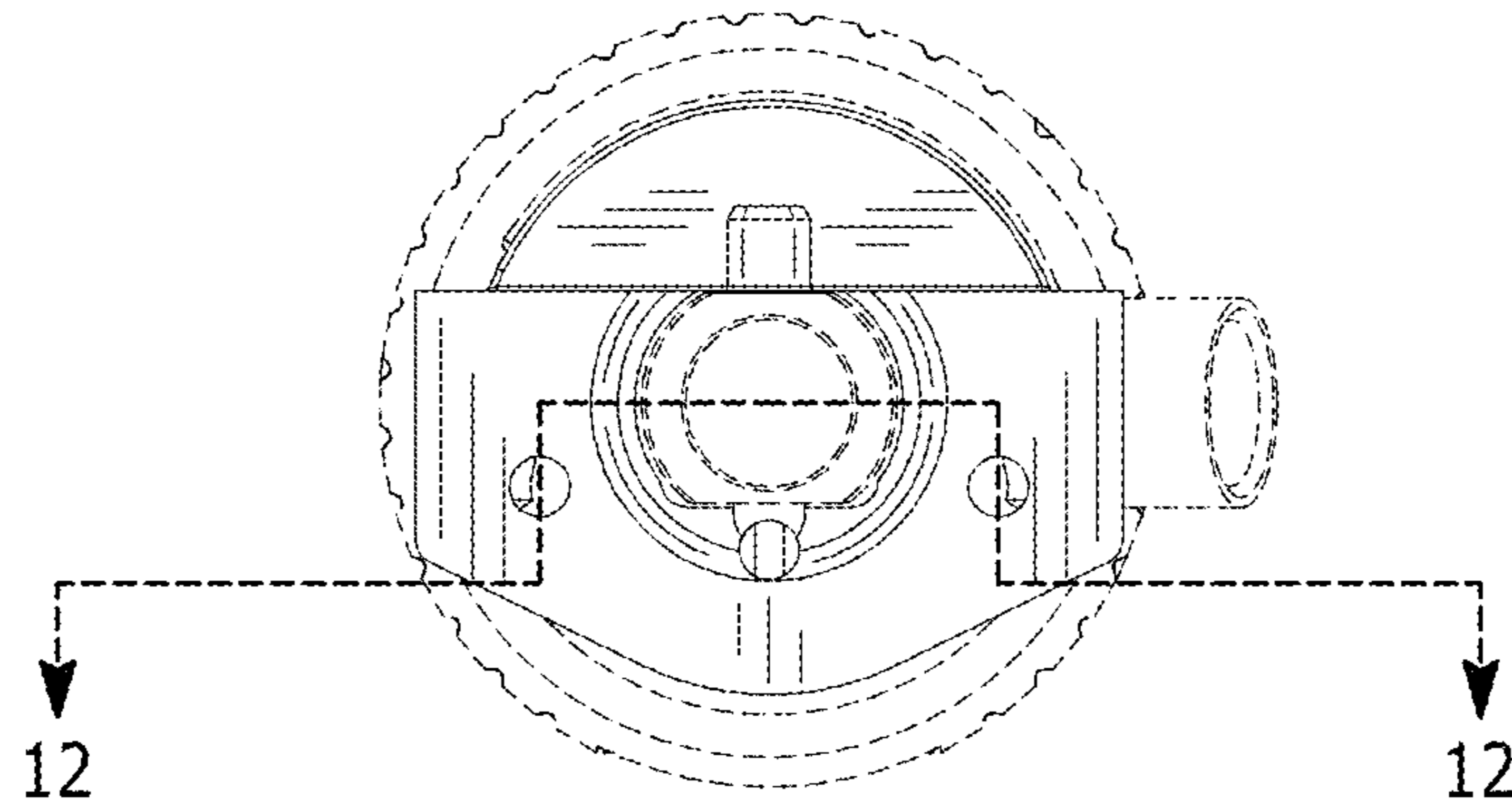


FIG. 9

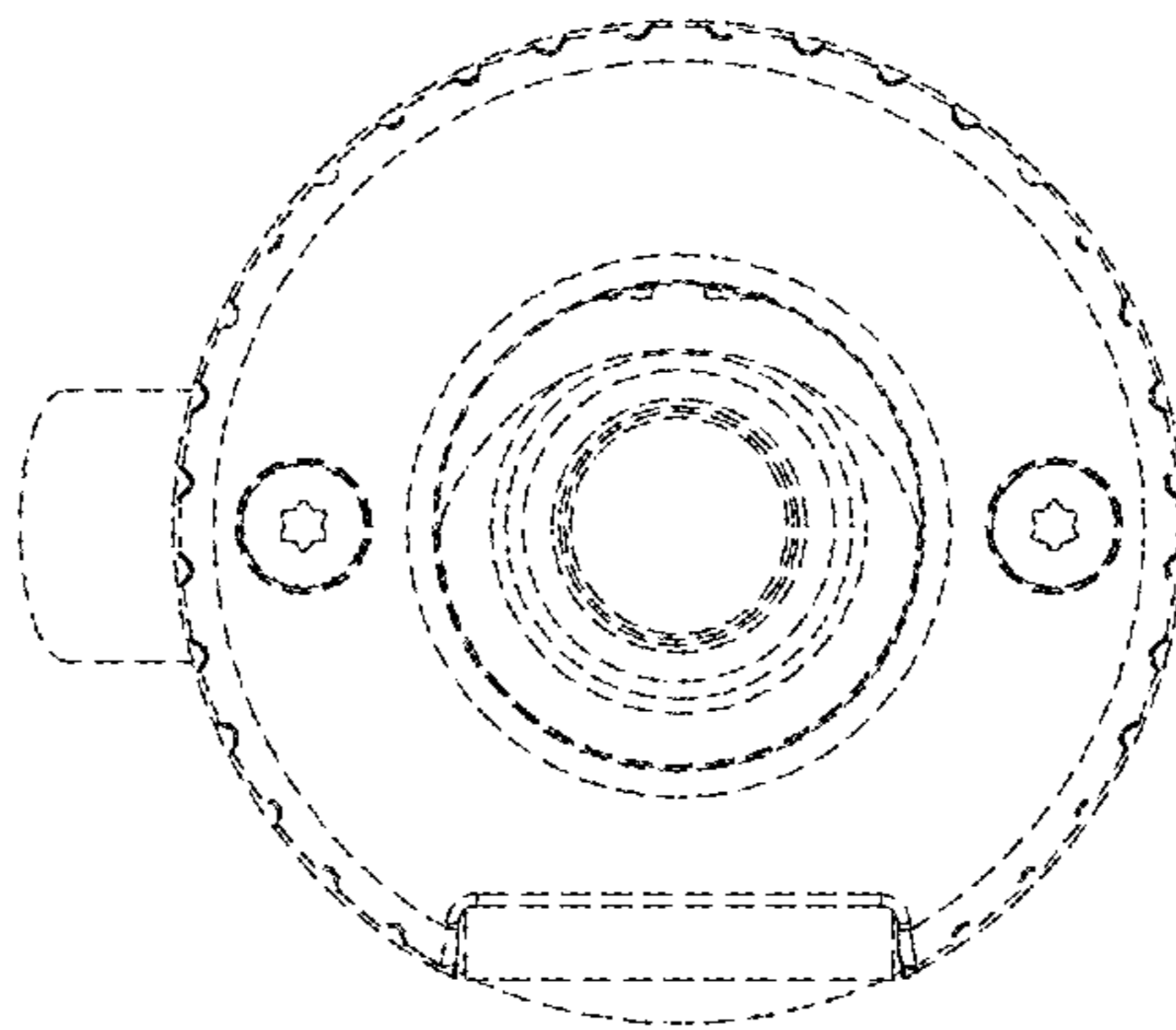


FIG. 10

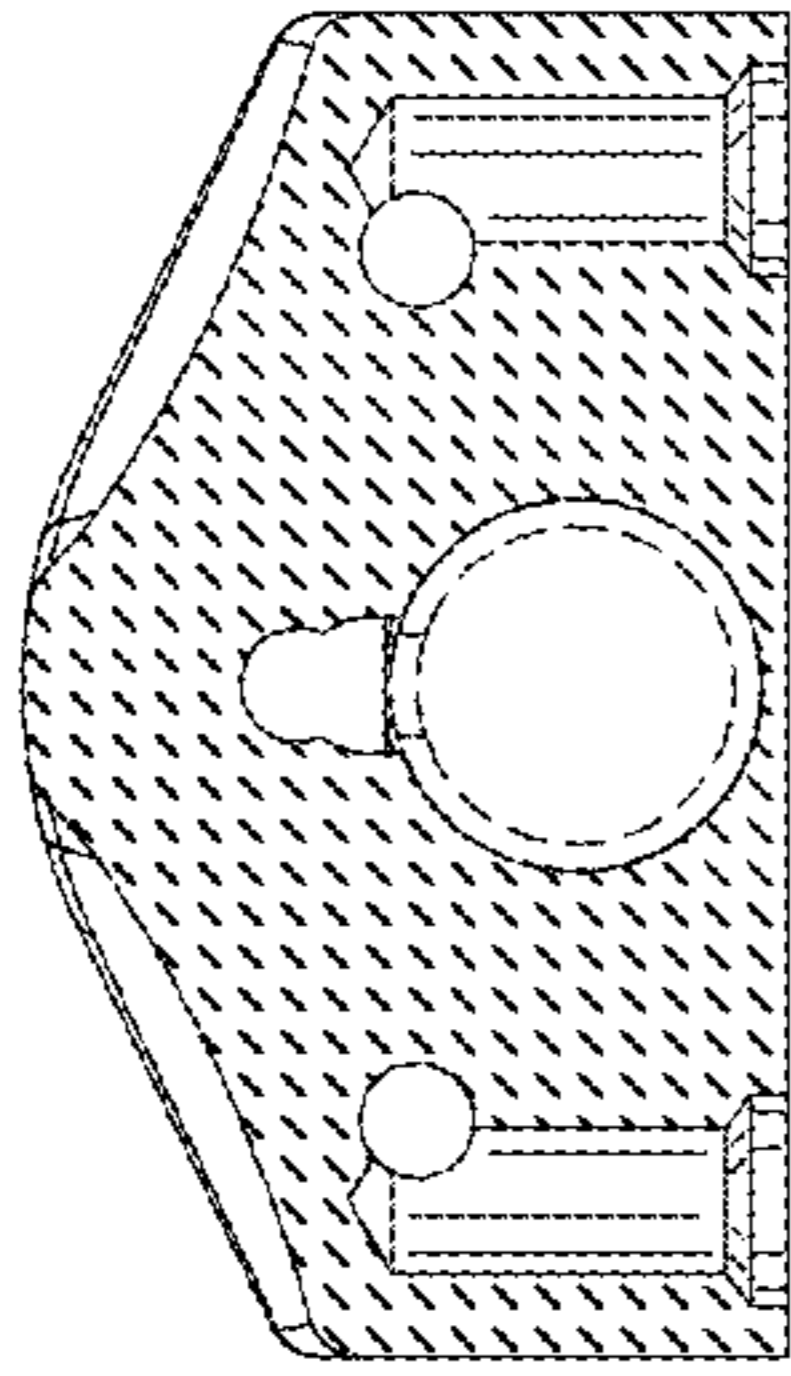


FIG. 11

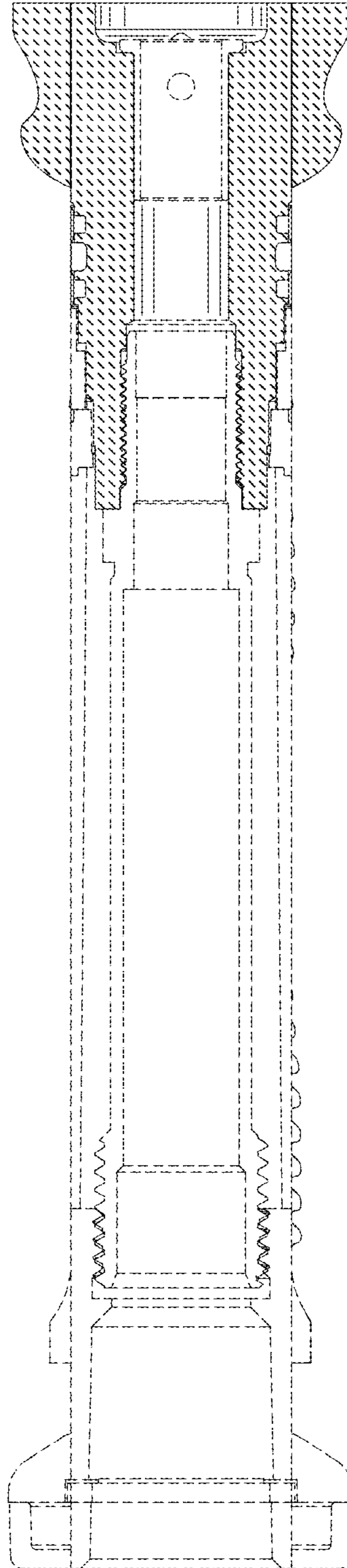


FIG. 12