



US00D912484S

(12) **United States Design Patent** (10) **Patent No.:** **US D912,484 S**
Chang (45) **Date of Patent:** **** Mar. 9, 2021**

(54) **SOCKET OF WRENCH**

(71) Applicant: **Chih-Min Chang**, Xiushui Township,
Changhua County (TW)

(72) Inventor: **Chih-Min Chang**, Xiushui Township,
Changhua County (TW)

(**) Term: **15 Years**

(21) Appl. No.: **29/696,951**

(22) Filed: **Jul. 2, 2019**

(51) **LOC (13) Cl.** **08-05**

(52) **U.S. Cl.**
USPC **D8/29**

(58) **Field of Classification Search**
USPC D8/15-29, 29.1, 29.2, 30-32, 349,
D8/382-386, 396-399, 70, 71, 70.1,
D8/72-74, 471, 83, 104-107, 354, 361,
D8/362, 360, 360.1, 363-372, 355-359;
81/487, 60, 186, 124, 4, 121.1, 63.1, 119,
81/489, 177.1, 177.2, 177.85, 177.8, 62
CPC . B25B 23/1427; B25B 23/0007; B25B 23/16;
B25B 17/00; B25B 23/0028; B25B
23/0021; B25B 13/50; B25B 13/08; B25B
13/481; B25B 13/461; B25B 23/0035;
B25B 15/04; E06B 3/685; A61C 8/0089;
A61C 1/186; A61B 17/8875; A61B
17/8883

See application file for complete search history.

(56) **References Cited**

U.S. PATENT DOCUMENTS

5,832,792 A * 11/1998 Hsieh B25B 13/065
81/124.6
D524,615 S * 7/2006 Albertson D8/29
D564,849 S * 3/2008 Hsieh D8/29
D773,266 S * 12/2016 Hsieh D8/29
D828,130 S * 9/2018 Lee D8/28
D834,903 S * 12/2018 Lee D8/29

D860,737 S * 9/2019 Huang D8/29
D887,233 S * 6/2020 Kukucka D8/29
2003/0192409 A1* 10/2003 Wallace B25B 13/06
81/121.1

(Continued)

FOREIGN PATENT DOCUMENTS

CN 300780815 * 6/2007
CN 302131704 * 5/2012

(Continued)

OTHER PUBLICATIONS

Carbyne, 1/2-Inch Drive 38 mm Deep Impact Socket, 6-Point |
Chrome Molybdenum Steel | Axle Nut Socket, Date first available
Feb. 25, 2018, [online]retrieved Jul. 8, 2020, available from inter-
net, www.amazon.com (Year: 2018).*

(Continued)

Primary Examiner — Keli L Hill
Assistant Examiner — Sara S Sahneh
(74) *Attorney, Agent, or Firm* — Muncy, Geissler, Olds &
Lowe, P.C.

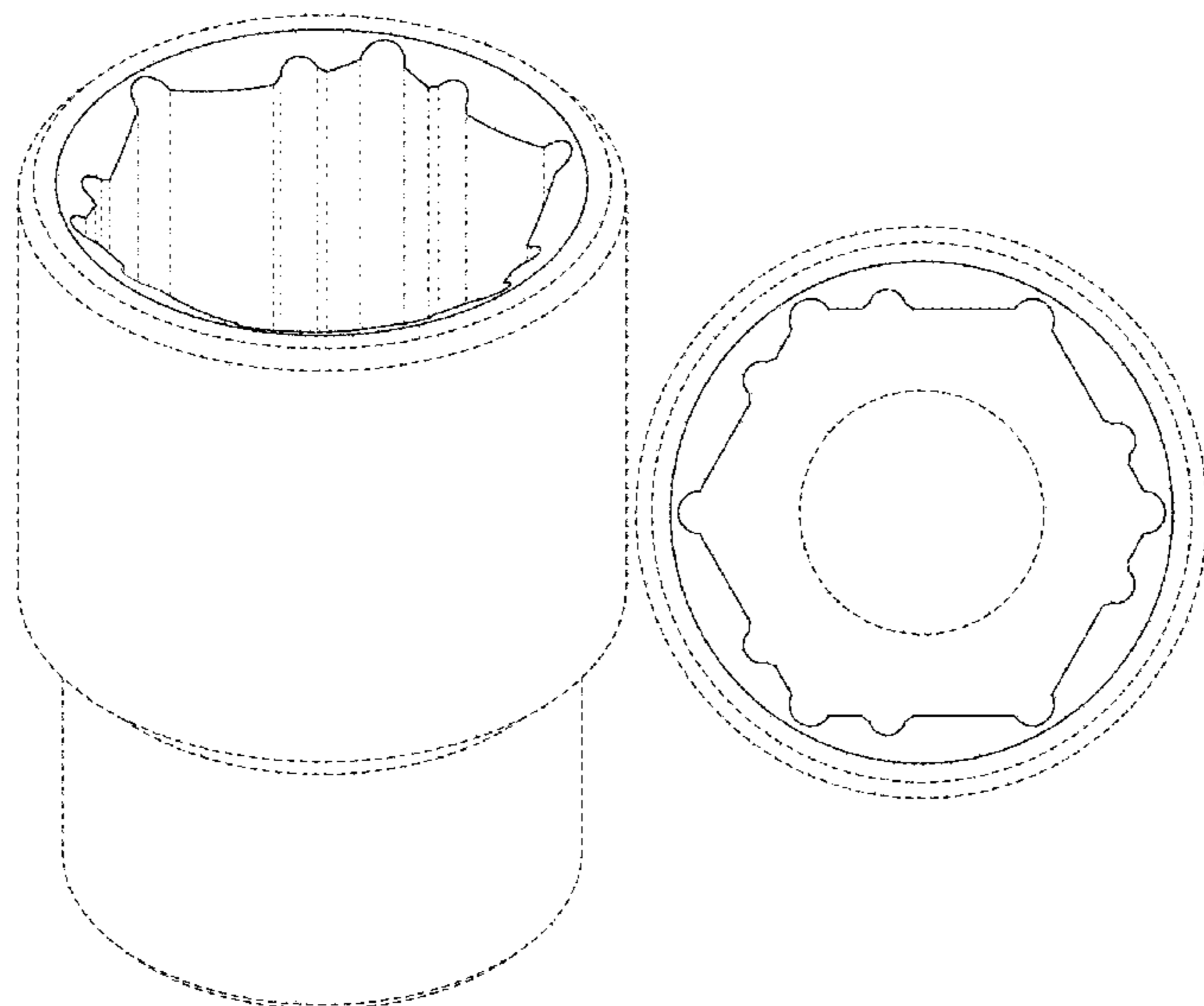
(57) **CLAIM**

The ornamental design for a socket of a wrench, as shown
and described.

DESCRIPTION

FIG. 1 is a perspective view of a socket of a wrench showing
the new design;
FIG. 2 is a front elevational view thereof;
FIG. 3 is a rear elevational view thereof;
FIG. 4 is a left side elevational view thereof;
FIG. 5 is a right side elevational view thereof;
FIG. 6 is a top plan view thereof; and,
FIG. 7 is a bottom plan view thereof.
The broken lines shown in FIGS. 1-7 depict portions of the
socket of wrench that form no part of the claimed design.

1 Claim, 7 Drawing Sheets



(56)

References Cited

U.S. PATENT DOCUMENTS

2015/0273670 A1* 10/2015 Cheng B25B 13/06
81/121.1
2019/0001469 A1* 1/2019 Cho B25B 13/065
2019/0217449 A1* 7/2019 Lee B25B 23/0014
2020/0023498 A1* 1/2020 Cho B25B 13/065

FOREIGN PATENT DOCUMENTS

JP D1218214 * 12/2003
JP D1526636 * 12/2014
KR 300818813.0000 * 4/2015
TW 2015-19775N * 6/2014 B25B 13/06

OTHER PUBLICATIONS

Tekton, 1/2" Drivex35 Mm Deep 6 Pt. Impact Socket | 4935, Date first available Feb. 24, 2007, [online]retrieved Jul. 8, 2020, available from internet, www.amazon.com (Year: 2007).*

Sunex, 230zm 1/2-Inch Drive 30-mm 12 Point Impact Socket, Date first available Apr. 2, 2012, [online]retrieved Jul. 8, 2020, available from internet, www.amazon.com (Year: 2012).*

ABN, Axle Nut Socket, 30mm, 1/2in Drive, 12 Point—Universal for All Vehicle 12pt Installation, Date first available Dec. 30, 2016, [online]retrieved Jul. 8, 2020, available from internet, www.amazon.com (Year: 2016).*

* cited by examiner

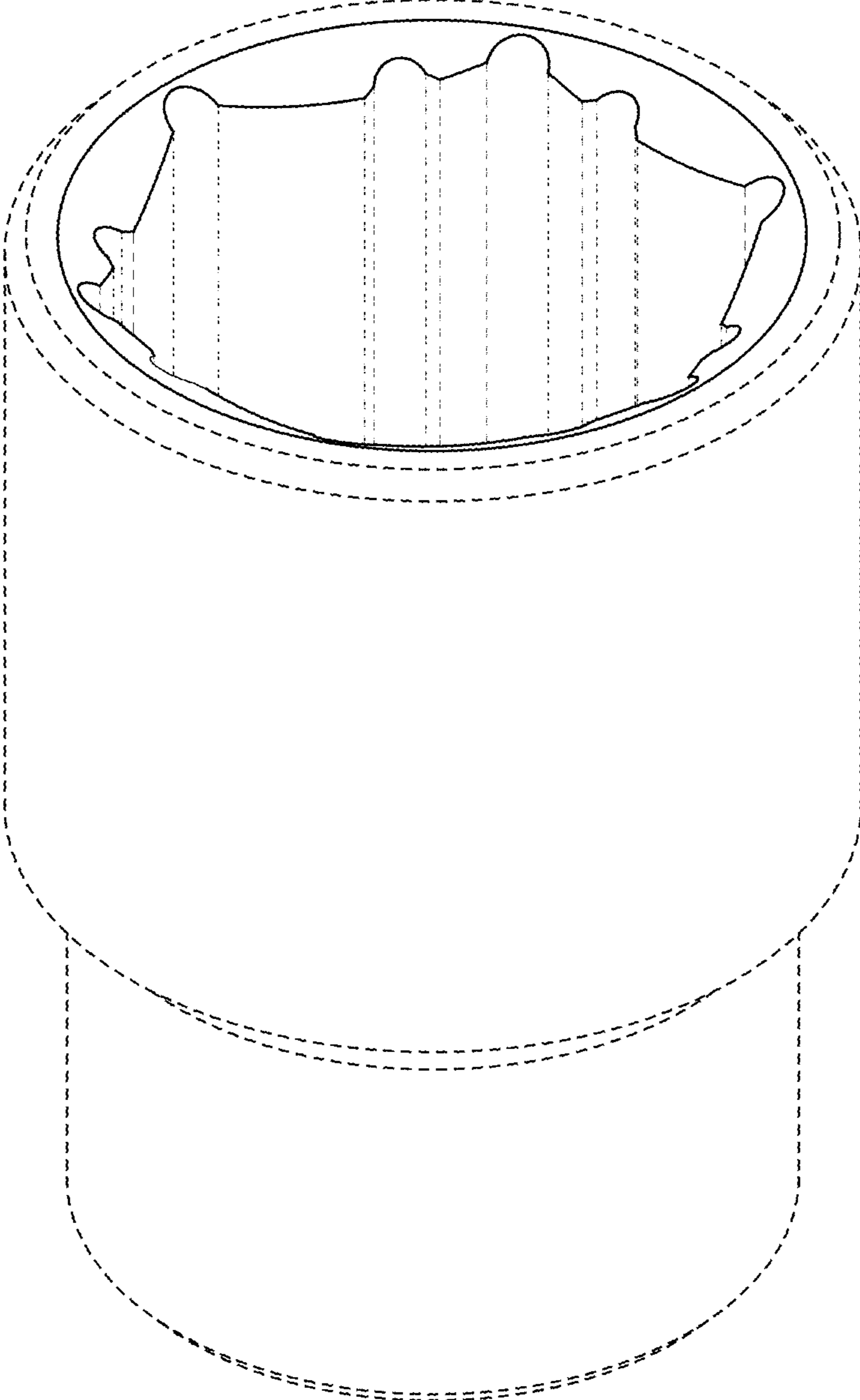


FIG. 1

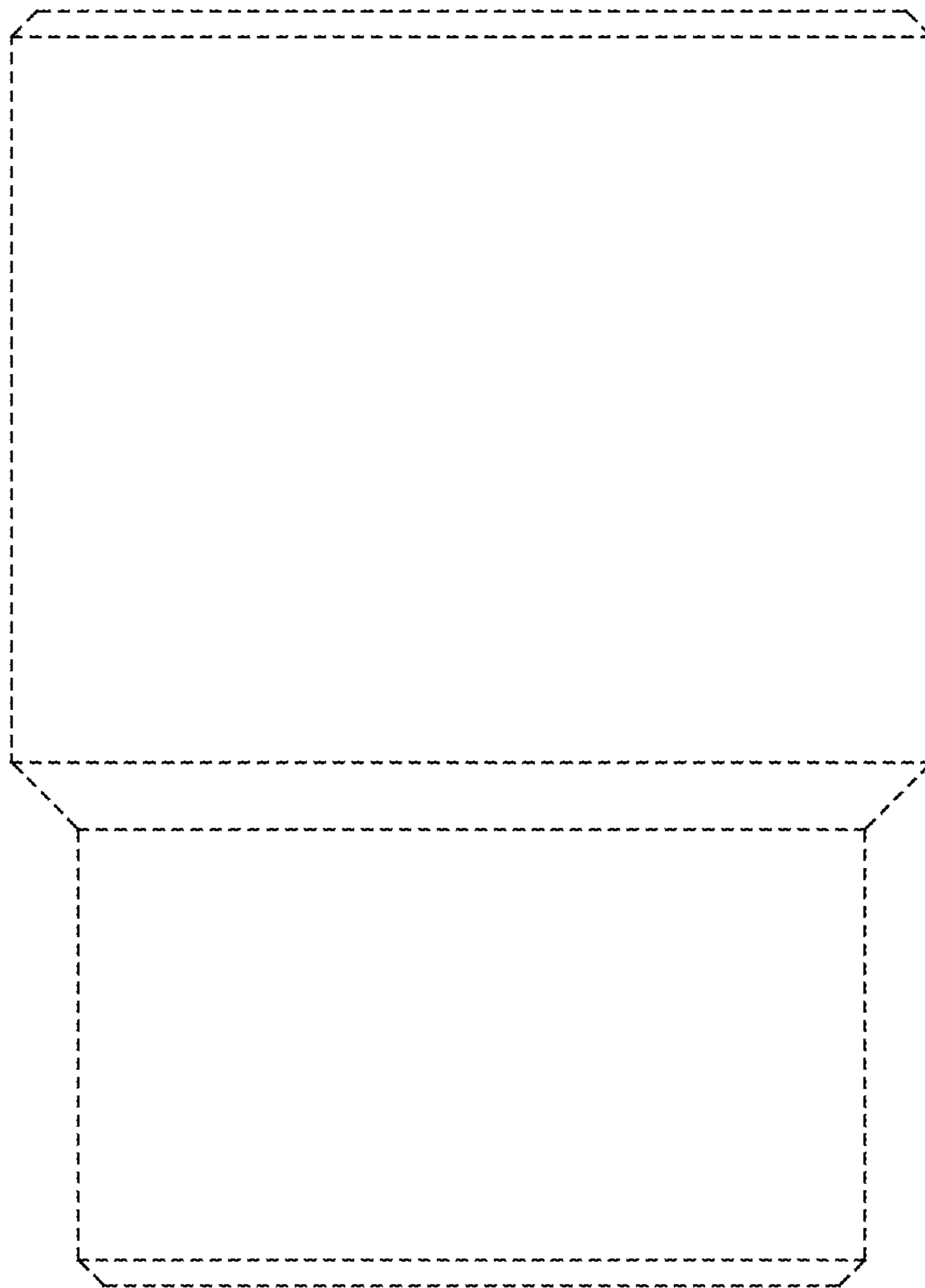


FIG. 2

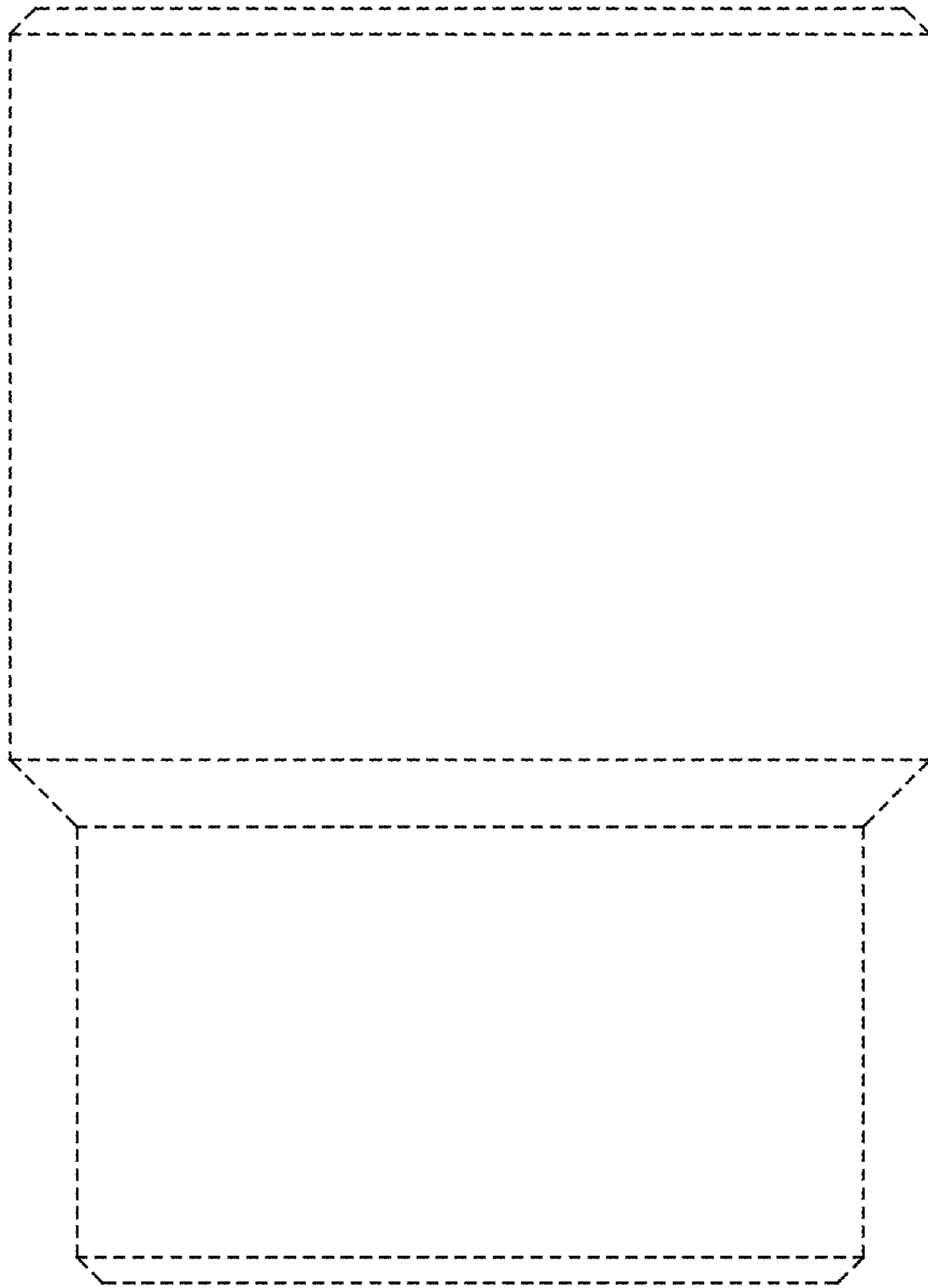


FIG. 3

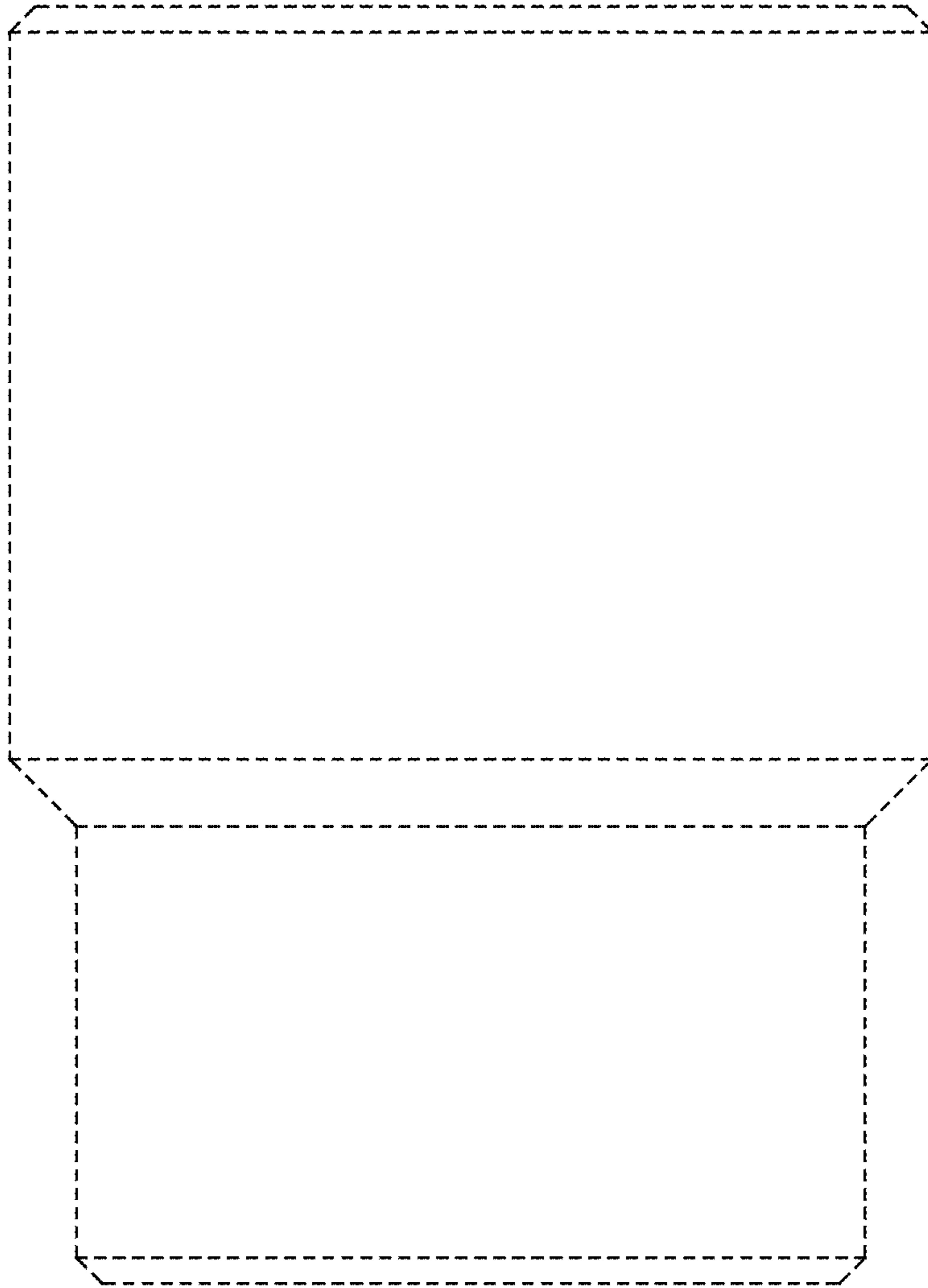


FIG. 4

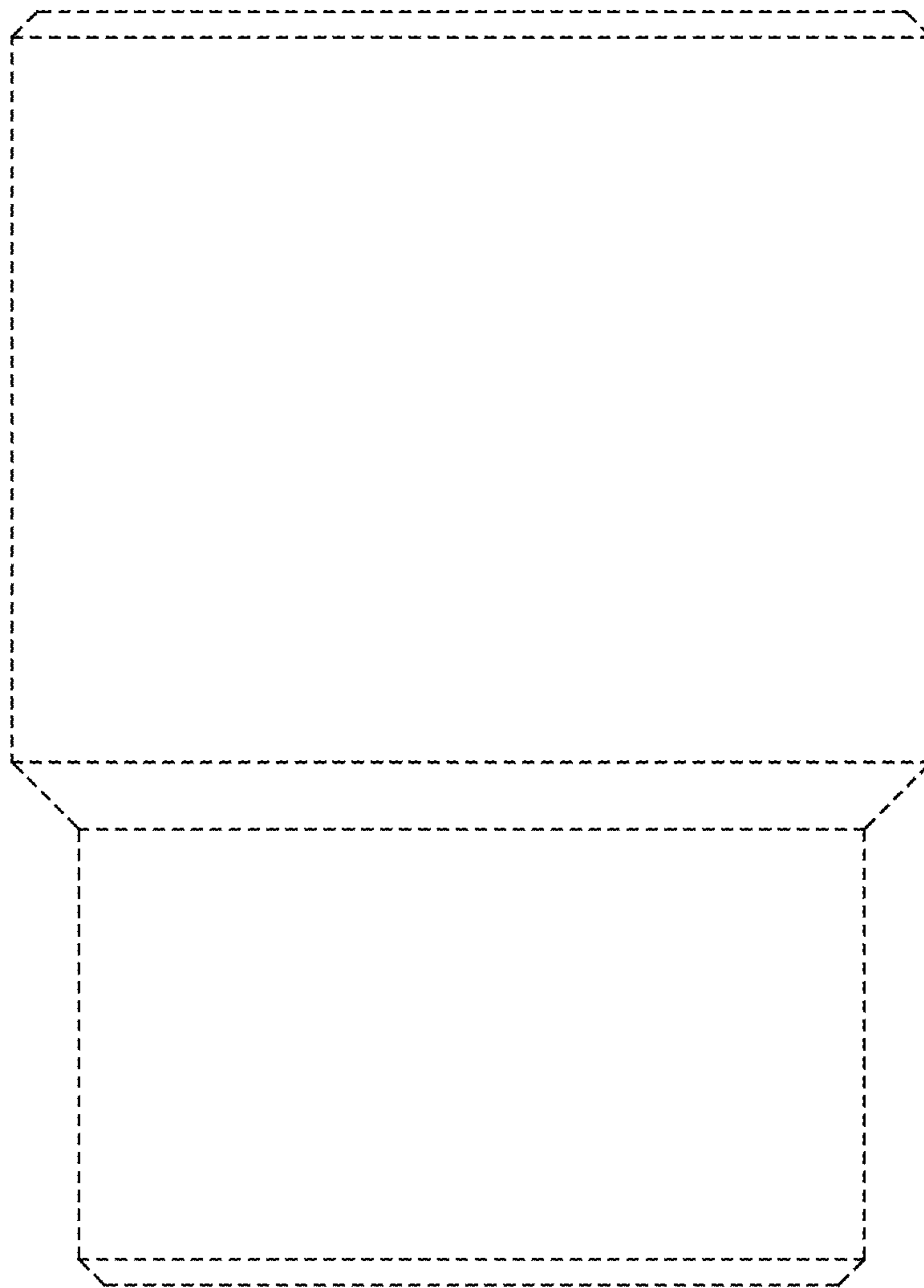


FIG. 5

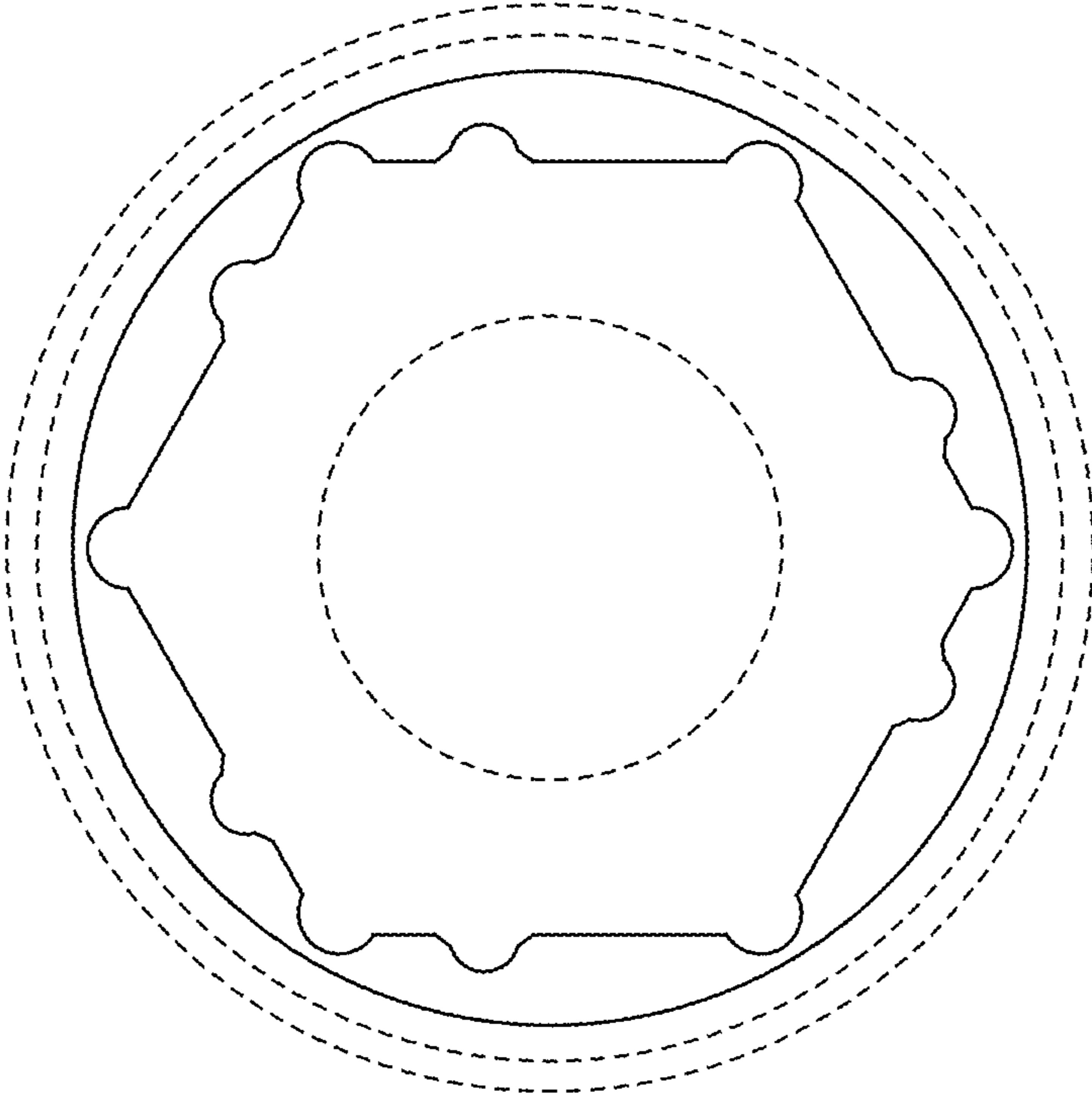


FIG. 6

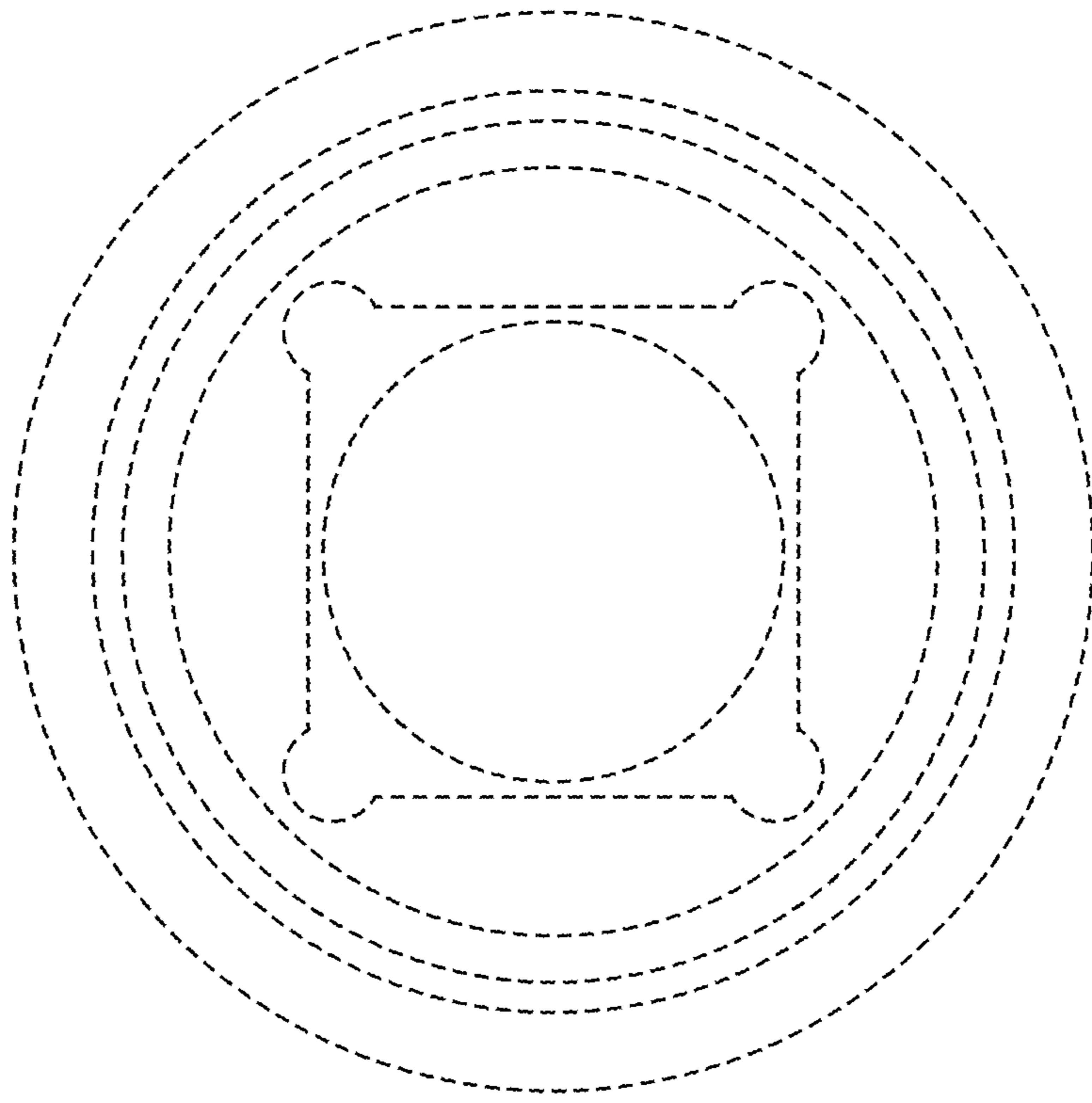


FIG. 7