



US00D912482S

(12) **United States Design Patent**  
**Miller**

(10) **Patent No.:** **US D912,482 S**  
(45) **Date of Patent:** **\*\* Mar. 9, 2021**

- (54) **SPANNER WRENCH**
- (71) Applicant: **Jerald Miller**, Wittmann, AZ (US)
- (72) Inventor: **Jerald Miller**, Wittmann, AZ (US)
- (\*\*) Term: **15 Years**
- (21) Appl. No.: **29/709,856**
- (22) Filed: **Oct. 17, 2019**
- (51) **LOC (13) Cl.** ..... **08-05**
- (52) **U.S. Cl.**  
USPC ..... **D8/17; D8/21**
- (58) **Field of Classification Search**  
USPC ..... D8/14-40, 51-56; 81/125.1, 177.1, 119,  
81/124.7, 124.3, 186, 431, 176.15, 461.1,  
(Continued)

(56) **References Cited**

**U.S. PATENT DOCUMENTS**

- 1,707,856 A \* 4/1929 Hoffman ..... B25B 13/48  
81/176.3
- 2,830,480 A \* 4/1958 Brame ..... B25B 13/02  
81/176.15

(Continued)

**FOREIGN PATENT DOCUMENTS**

- CN 301677393 \* 5/2011
- CN 303263369 \* 12/2014

(Continued)

**OTHER PUBLICATIONS**

EnRand, 1266 Adjustable Gland Nut Hand Wrench Tool & 746 Small Adjustable Gland Nut Hand Wrench Tool Universal, Date first available Dec. 26, 2019, [online]retrieved Nov. 30, 2020, available

from internet, [https://www.amazon.com/EnRand-Adjustable-Universal-Hydraulic-Construction/dp/B08356R6C6/ref=\(Year: 2019\).\\*](https://www.amazon.com/EnRand-Adjustable-Universal-Hydraulic-Construction/dp/B08356R6C6/ref=(Year: 2019).*)

(Continued)

*Primary Examiner* — Keli L Hill  
*Assistant Examiner* — Sara S Sahneh  
(74) *Attorney, Agent, or Firm* — Schmeiser, Olsen & Watts LLP

(57) **CLAIM**

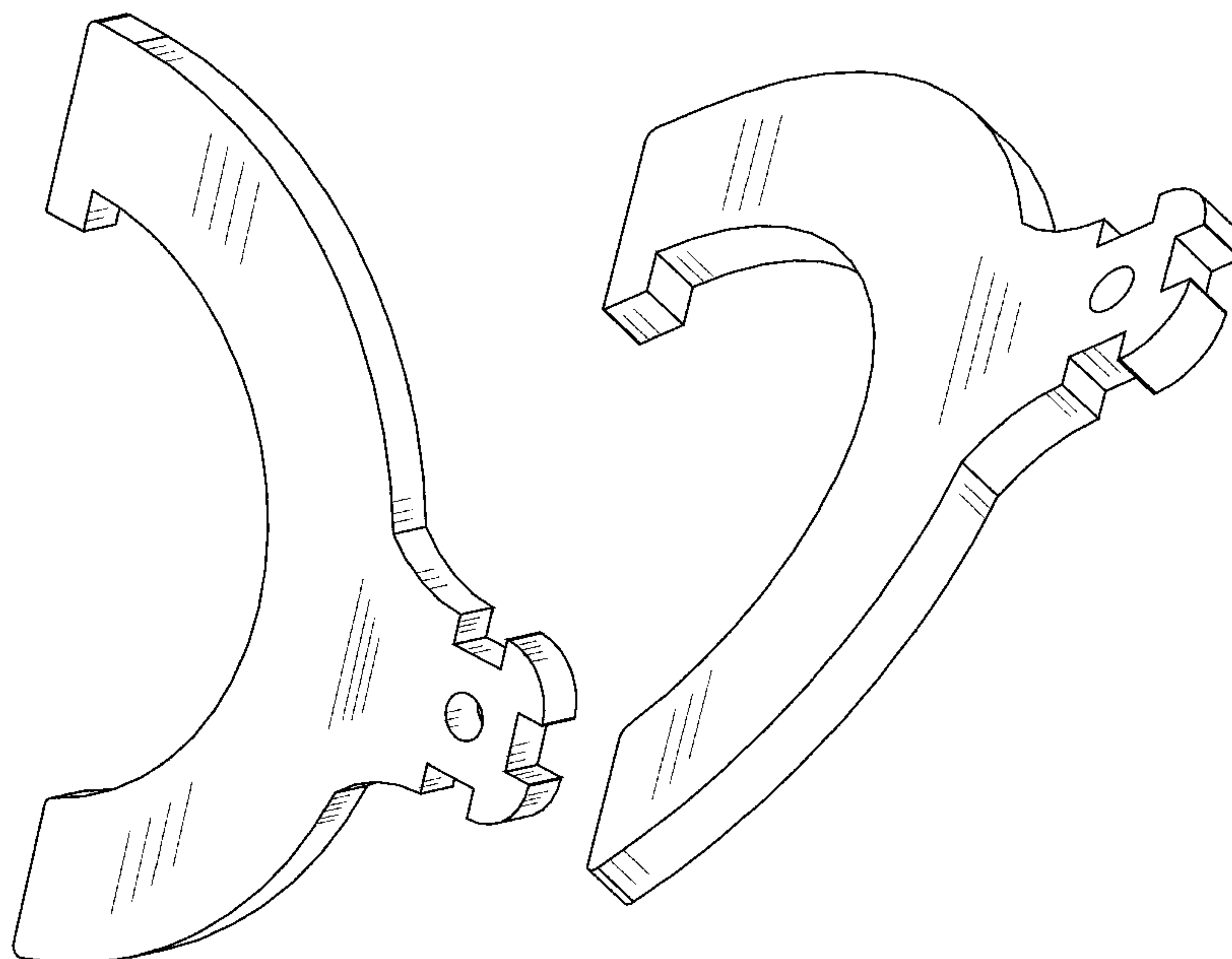
An ornamental design for a spanner wrench, as shown and described.

**DESCRIPTION**

FIG. 1 is a first perspective view of a spanner wrench, in accordance with an embodiment;  
 FIG. 2 is a second perspective view of the spanner wrench of FIG. 1;  
 FIG. 3 is a third perspective view of the spanner wrench of FIG. 1;  
 FIG. 4 is a third perspective view of the spanner wrench of FIG. 1;  
 FIG. 5 is a left side view of the spanner wrench of FIG. 1;  
 FIG. 6 is a right side view of the spanner wrench of FIG. 1;  
 FIG. 7 is a left side view of the spanner wrench of FIG. 1 in a first position with respect to a handle shown in broken lines;  
 FIG. 8 is a left side view of the spanner wrench of FIG. 1 in a second position with respect to a handle shown in broken lines; and,  
 FIG. 9 is a left side view of the spanner wrench of FIG. 1 in a third position with respect to a handle shown in broken lines.

The broken lines depicted in FIG. 7-9 are for the purpose of illustrating a handle feature and orientations the spanner wrench with respect to the handle feature and form no part of the claimed design.

**1 Claim, 9 Drawing Sheets**



(58) **Field of Classification Search**

USPC ..... 81/99, 98, 100, 147, 185.1; 30/193, 252,  
30/254  
CPC ..... B25B 13/14; B25B 13/06; B25B 13/04;  
B25B 13/46; B25B 13/00; B25B 7/02;  
B25B 13/48; B25B 13/16; B25B 13/505;  
B25B 13/5058; B25B 23/0007; B25B  
13/28; B25B 23/0035; B25B 13/08; B25B  
13/02; B25B 13/50; B67B 7/00; B67B  
7/18

See application file for complete search history.

2017/0136610 A1\* 5/2017 Griffin ..... B25B 13/48  
2019/0022832 A1\* 1/2019 Jensen ..... B25B 13/463  
2019/0126444 A1\* 5/2019 Rodeheaver ..... B25B 13/50

FOREIGN PATENT DOCUMENTS

CN	305457474	* 11/2018
JP	D1134149	* 4/2001
KR	300435291.0000	* 5/2006
KR	300818713.0000	* 9/2014
KR	300855334.0000	* 10/2015

OTHER PUBLICATIONS

AFCO, 20110 Spanner Wrench Adjustable, Date first available Jun. 23, 2010, [online]retrieved Nov. 30, 2020, available from internet, [https://www.amazon.com/AFCO-20110-Spanner-Wrench-Adjustable/dp/B003TPINLQ/ref=sr\\_1\\_141?dchild=1&keywords=\(Year:2010\).](https://www.amazon.com/AFCO-20110-Spanner-Wrench-Adjustable/dp/B003TPINLQ/ref=sr_1_141?dchild=1&keywords=(Year:2010).)\*  
SP Mark, Spanner Nut Wrench Survival Nut Wrench for Locknut Removal Unscrew and Reinstall, Date first available Jun. 2, 2020, [online]retrieved Oct. 5, 2020, available from internet, [https://www.amazon.com/Spanner-Survival-Locknut-Reinstall-Installation/dp/B089KCMKR7/ref=pd\\_di\\_sccai\\_1/145-3138](https://www.amazon.com/Spanner-Survival-Locknut-Reinstall-Installation/dp/B089KCMKR7/ref=pd_di_sccai_1/145-3138) (Year: 2020).\*  
Uxcell Store, Collet Chuck Spanner Wrench CN Milling (ER-32UM), Date first available Jun. 11, 2018, [online]retrieved Oct. 7, 2020, available from internet, [https://www.amazon.com/uxcell-Collet-Milling-Spanner-Clamping/dp/B07DN9Z5JB/ref=psdc\\_553408\\_t3\\_B08DCT8HM4](https://www.amazon.com/uxcell-Collet-Milling-Spanner-Clamping/dp/B07DN9Z5JB/ref=psdc_553408_t3_B08DCT8HM4) (Year: 2018).\*

\* cited by examiner

(56) **References Cited**

U.S. PATENT DOCUMENTS

D227,651	S	*	7/1973	Sharff	.....	D8/17
5,456,143	A	*	10/1995	Stanton	.....	B25B 13/08 81/179
D431,981	S	*	10/2000	Aparnieks	.....	D8/21
D638,063	S	*	5/2011	O'Con	.....	D20/29
2003/0066394	A1	*	4/2003	Kitchen	.....	B25B 13/48 81/176.1
2014/0090519	A1	*	4/2014	Kundel, Jr.	.....	B25B 13/481 81/119
2015/0273665	A1	*	10/2015	Thomas	.....	B25B 13/50 81/119
2015/0336247	A1	*	11/2015	Elford	.....	B25B 23/142 81/119

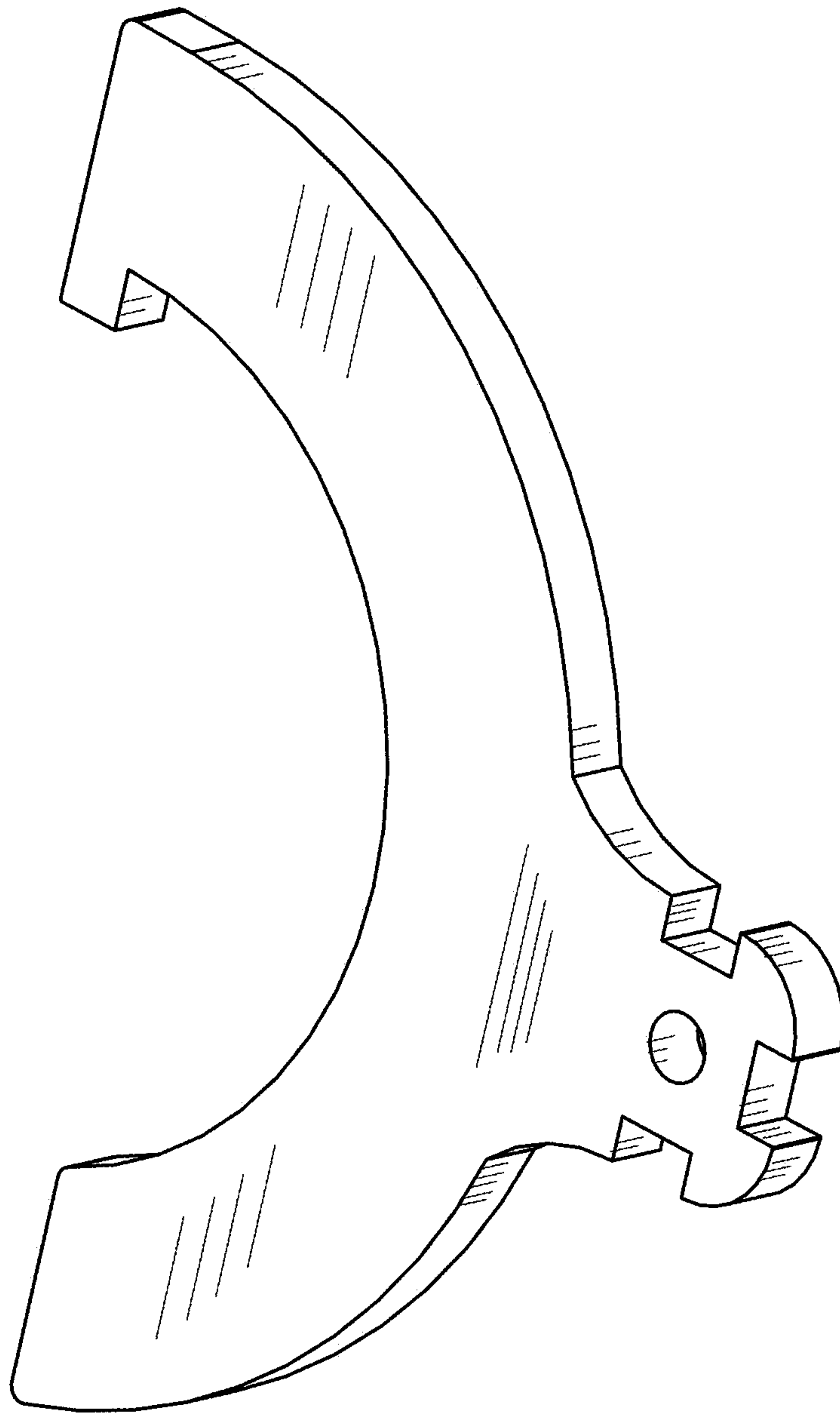


FIG. 1

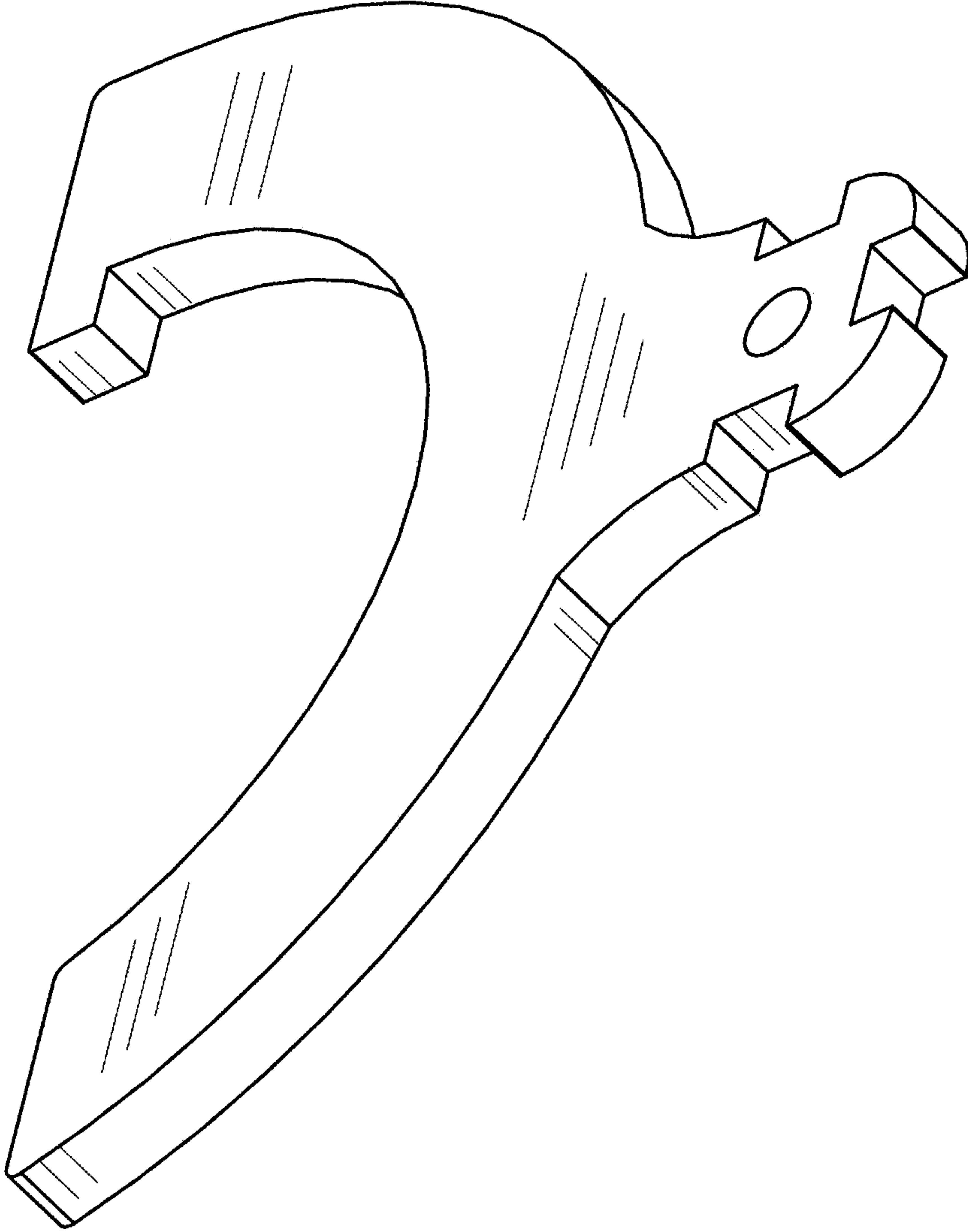


FIG. 2

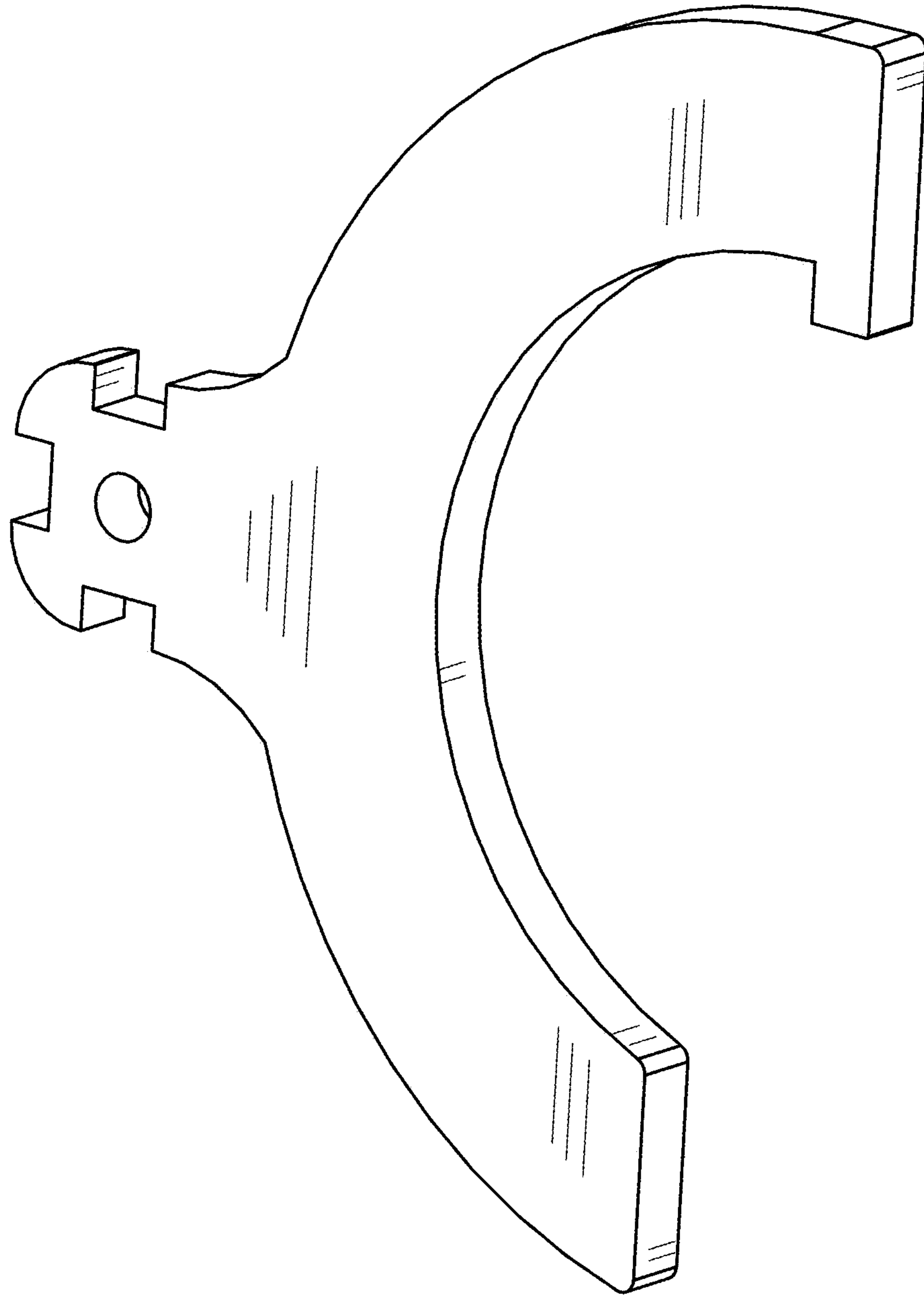


FIG. 3

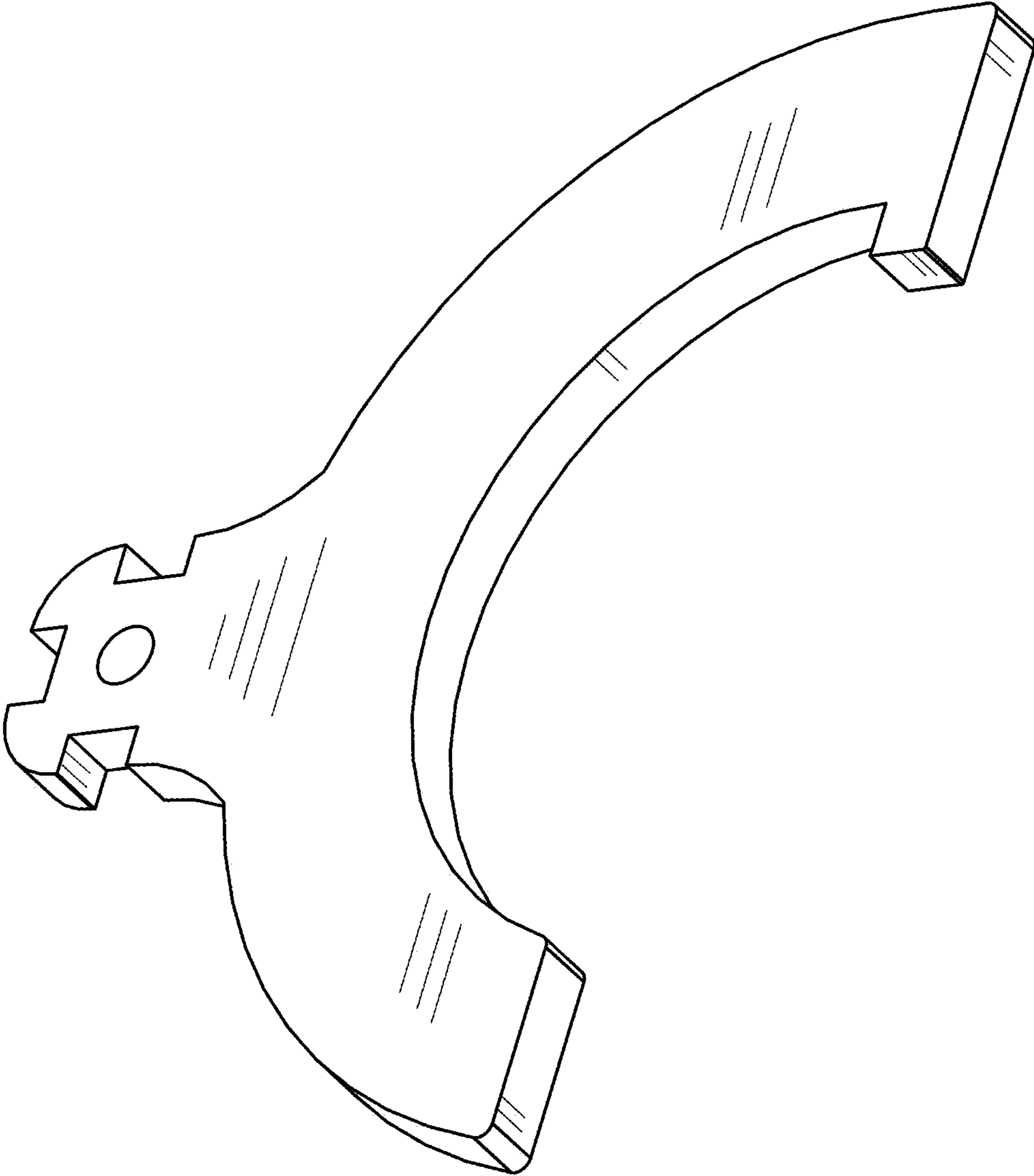


FIG. 4



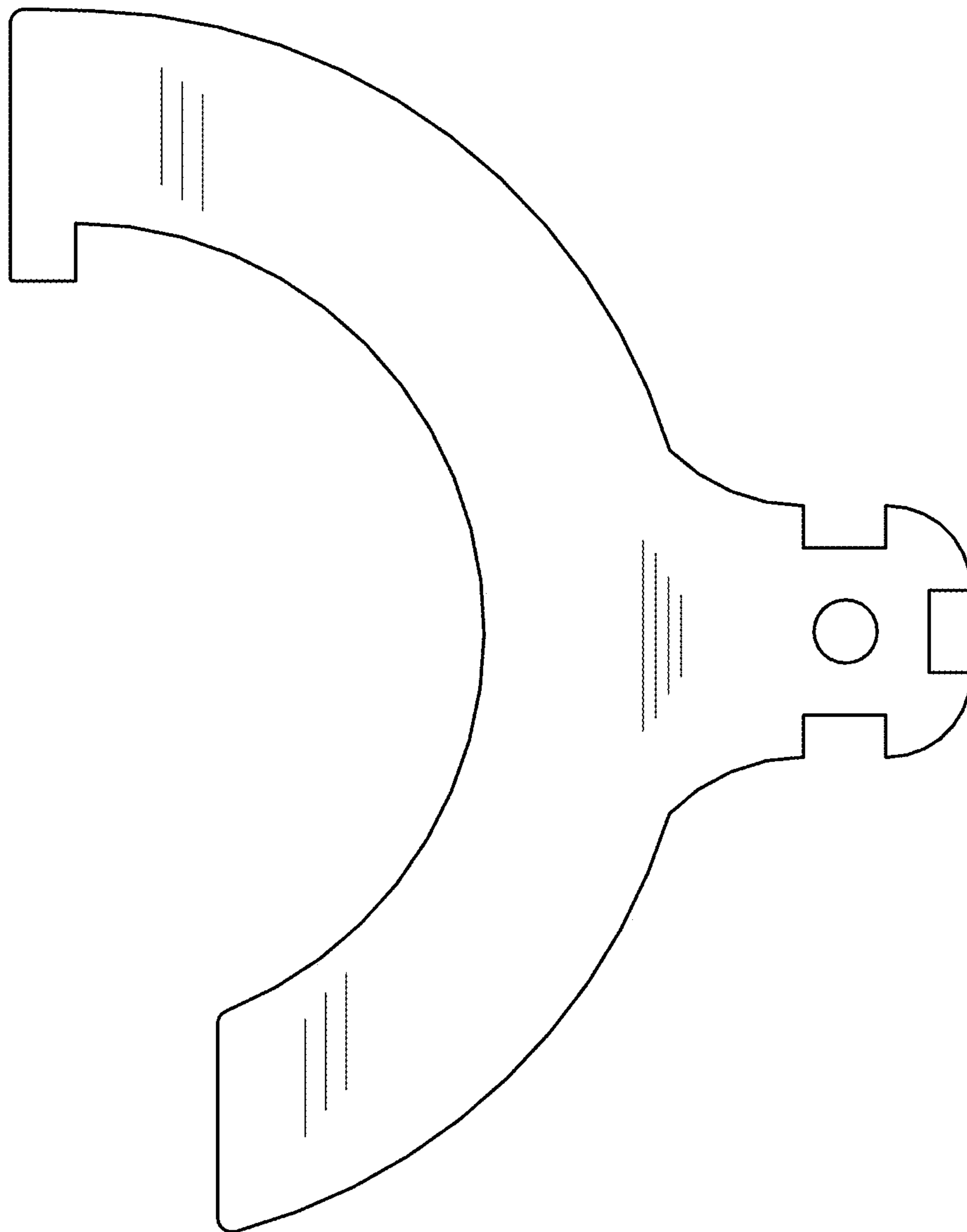


FIG. 5

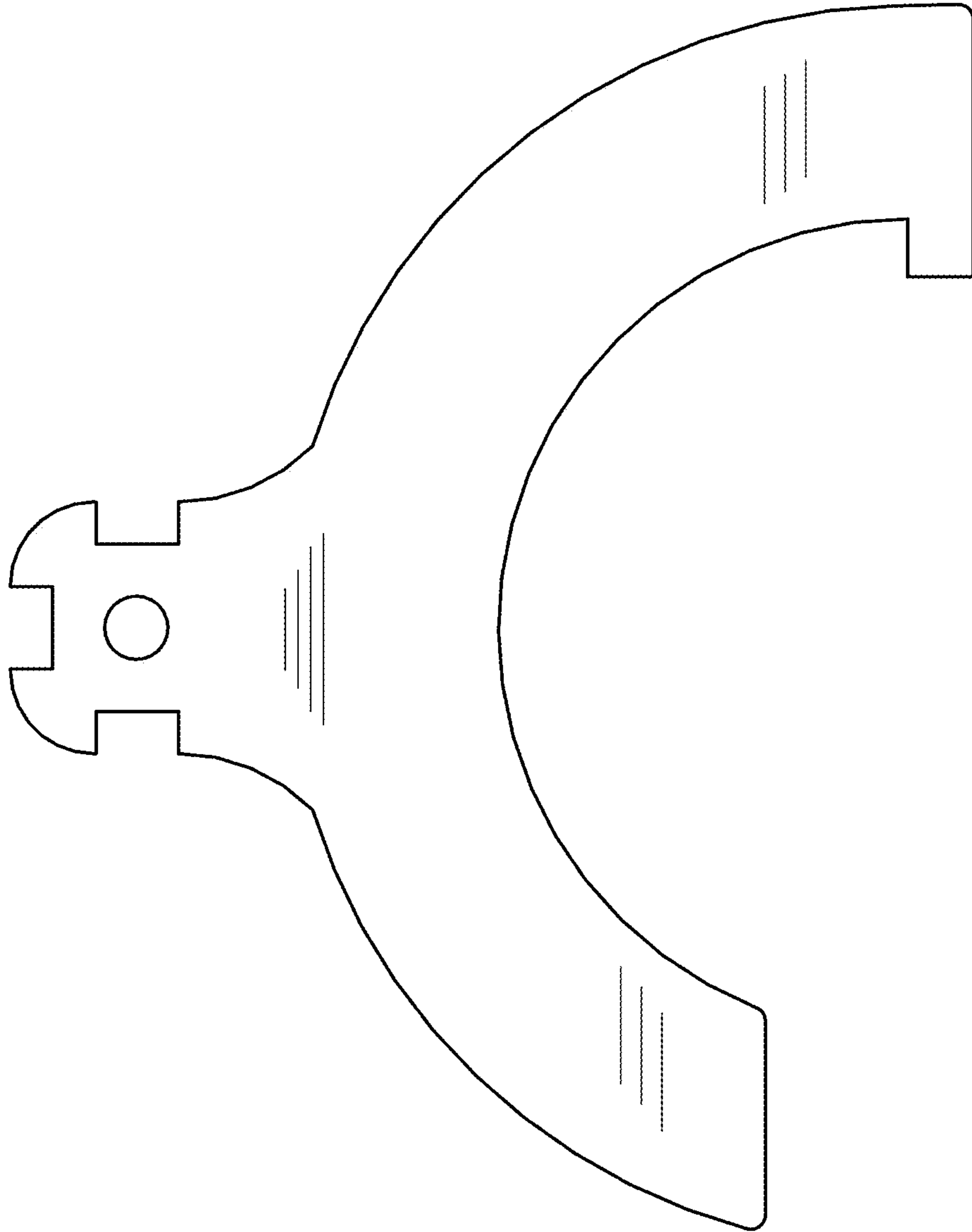


FIG. 6



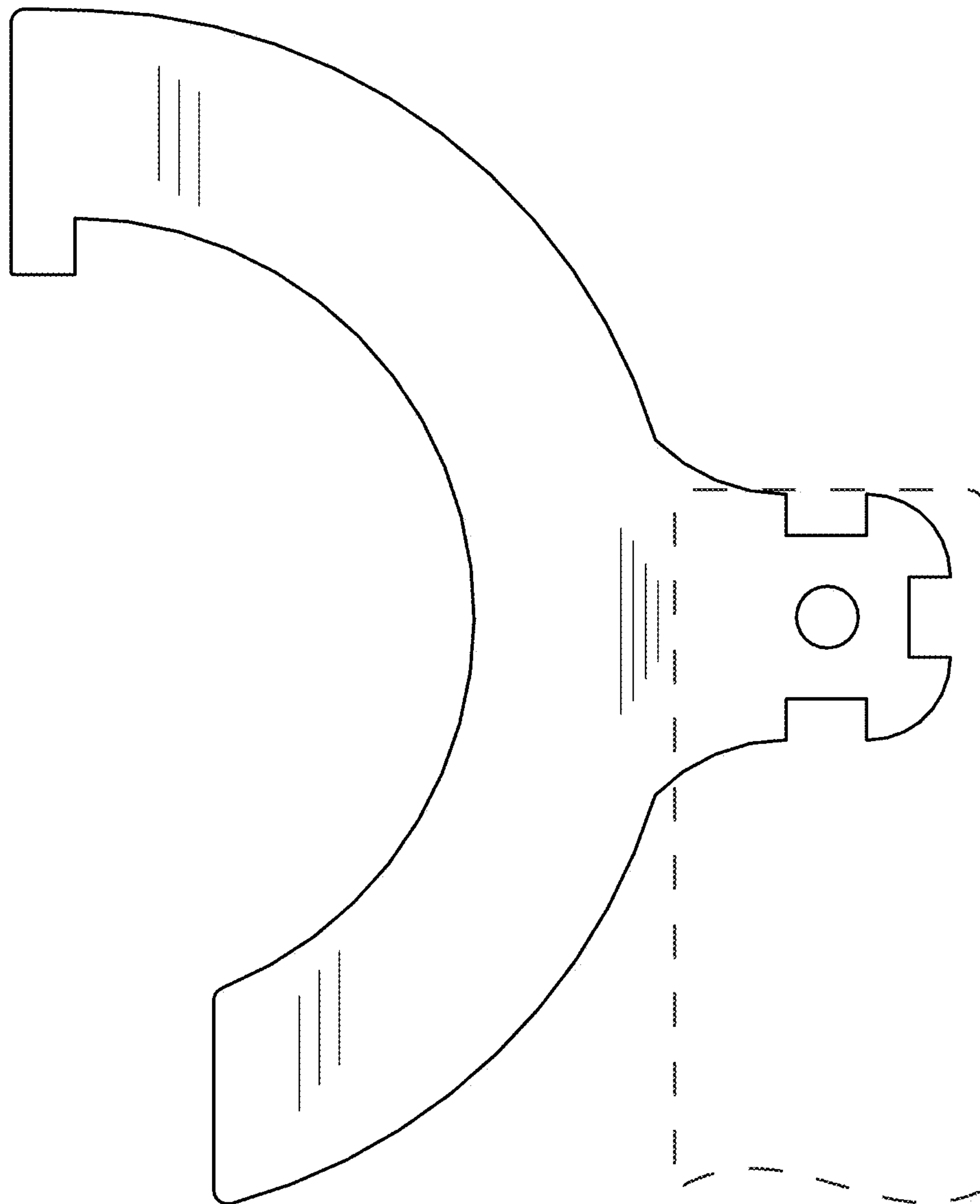


FIG. 7

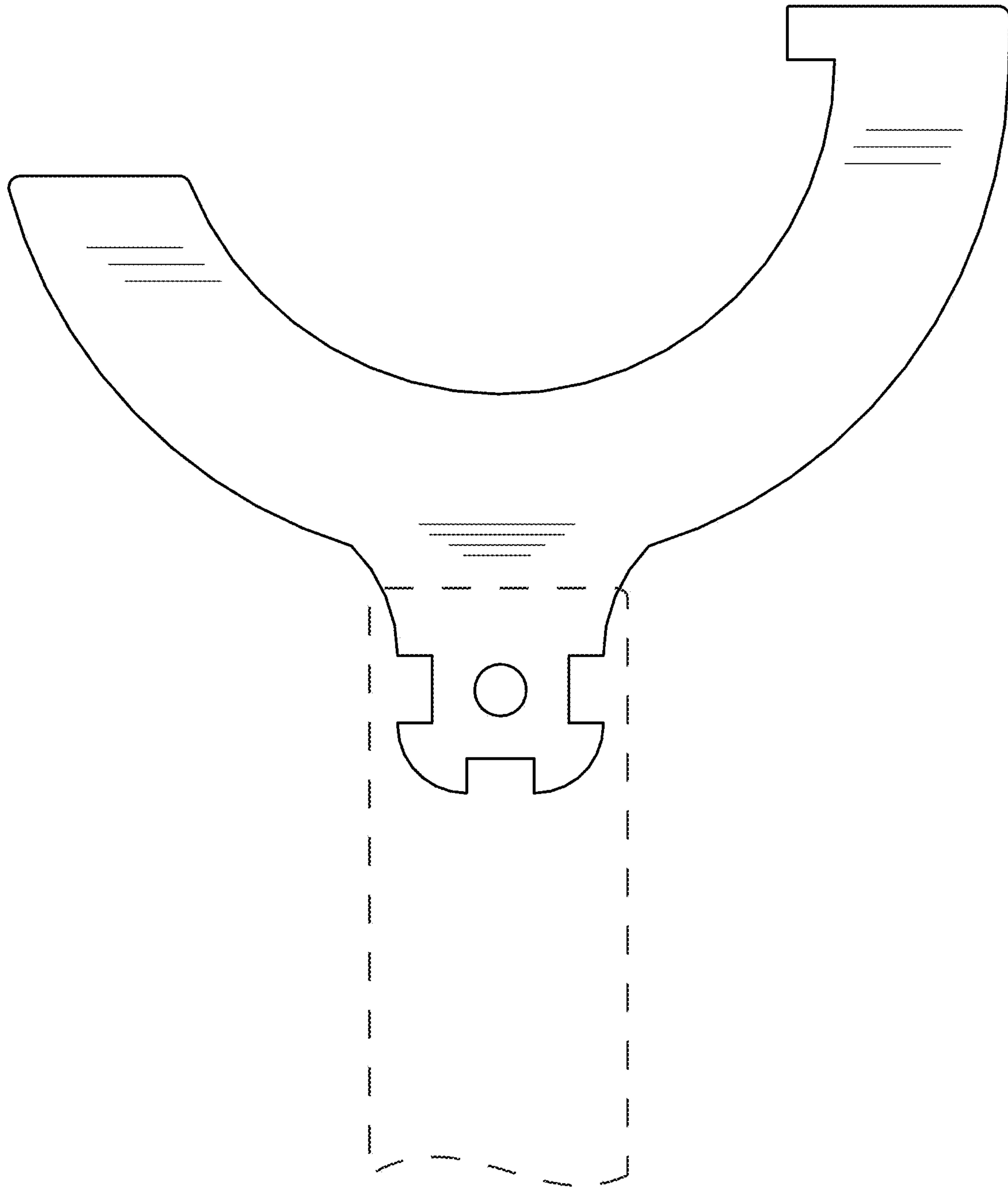


FIG. 8

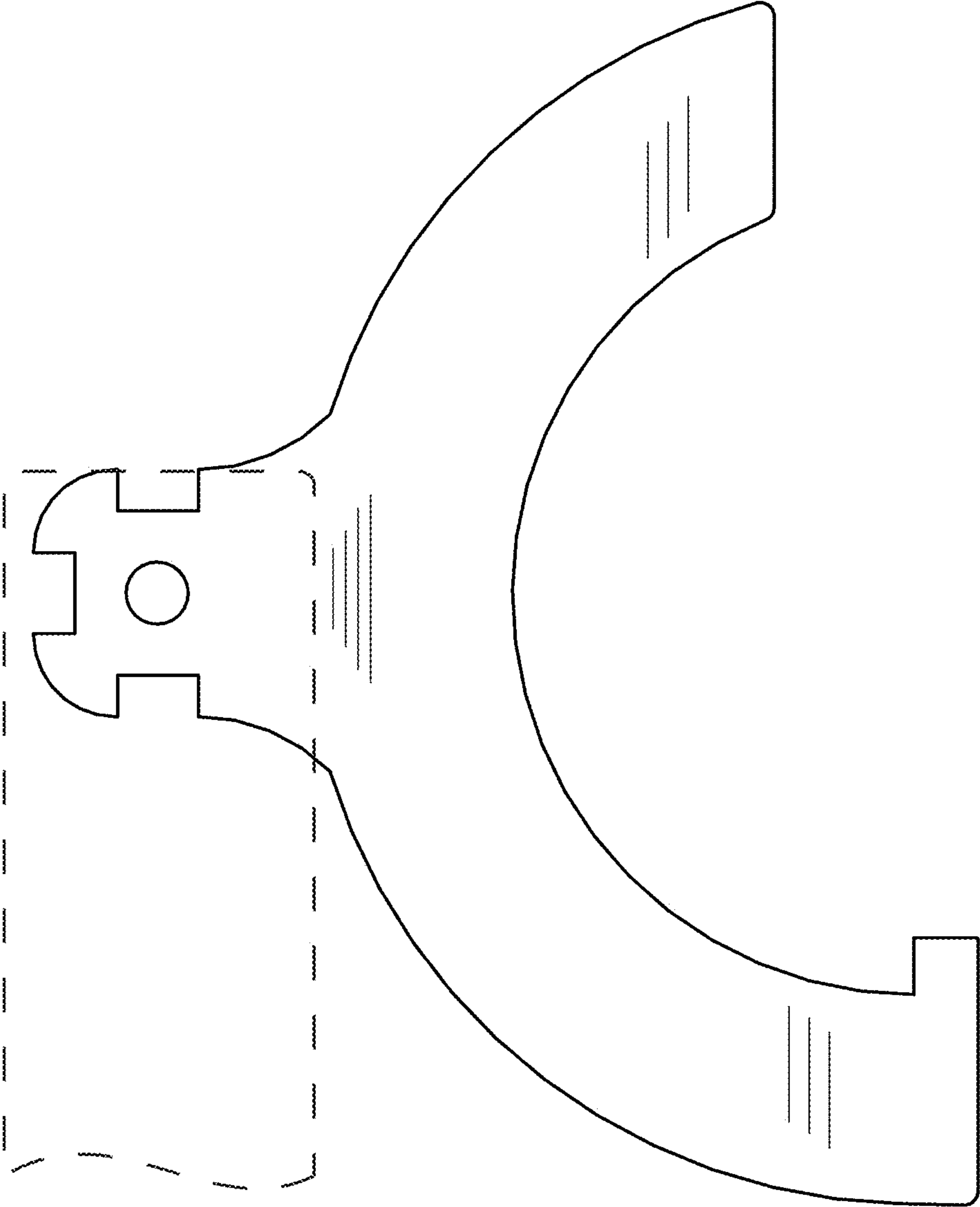


FIG. 9