



US00D912481S

(12) **United States Design Patent** (10) **Patent No.:** **US D912,481 S**
Brouillac (45) **Date of Patent:** **** Mar. 9, 2021**

(54) **SPICE MILL**

43/06; A47J 43/25; A47J 43/255; A24C
5/40; B02C 18/08; B02C 18/24; B02C
18/16

(71) Applicant: **PEUGEOT SAVEURS**, Quingey (FR)

See application file for complete search history.

(72) Inventor: **Nicolas Brouillac**, Saint-Vit (FR)

(56) **References Cited**

(73) Assignee: **PEUGEOT SAVEURS**, Quingey (FR)

U.S. PATENT DOCUMENTS

(**) Term: **15 Years**

2,490,721 A * 12/1949 Via A47G 19/24
222/476
D700,006 S * 2/2014 Braune D7/373
D700,007 S * 2/2014 Braune D7/373
D839,674 S * 2/2019 Lyu D7/511
D876,883 S * 3/2020 Cheng D7/373

(21) Appl. No.: **35/507,897**

(22) Filed: **Jul. 30, 2019**

* cited by examiner

(80) **Hague Agreement Data**

Int. Filing Date: **Jul. 30, 2019**

Int. Reg. No.: **DM/204317**

Int. Reg. Date: **Jul. 30, 2019**

Int. Reg. Pub. Date: **Nov. 29, 2019**

Primary Examiner — Robert M. Spear
(74) *Attorney, Agent, or Firm* — Craft Chu PLLC;
Andrew W. Chu

(30) **Foreign Application Priority Data**

Feb. 12, 2019 (EM) 006230538-0006

(51) **LOC (13) Cl.** **07-04**

(52) **U.S. Cl.**
USPC **D7/679**

(58) **Field of Classification Search**
USPC D7/679, 372, 373, 374; D9/500, 503,
D9/504

CPC ... A21C 1/04; A47J 42/34; A47J 42/00; A47J
42/04; A47J 42/14; A47J 42/18; A47J
42/24; A47J 42/42; A47J 42/46; A47J
42/06; A47J 42/08; A47J 42/40; A47J
43/04; A47J 43/044; A47J 43/0722; A47J

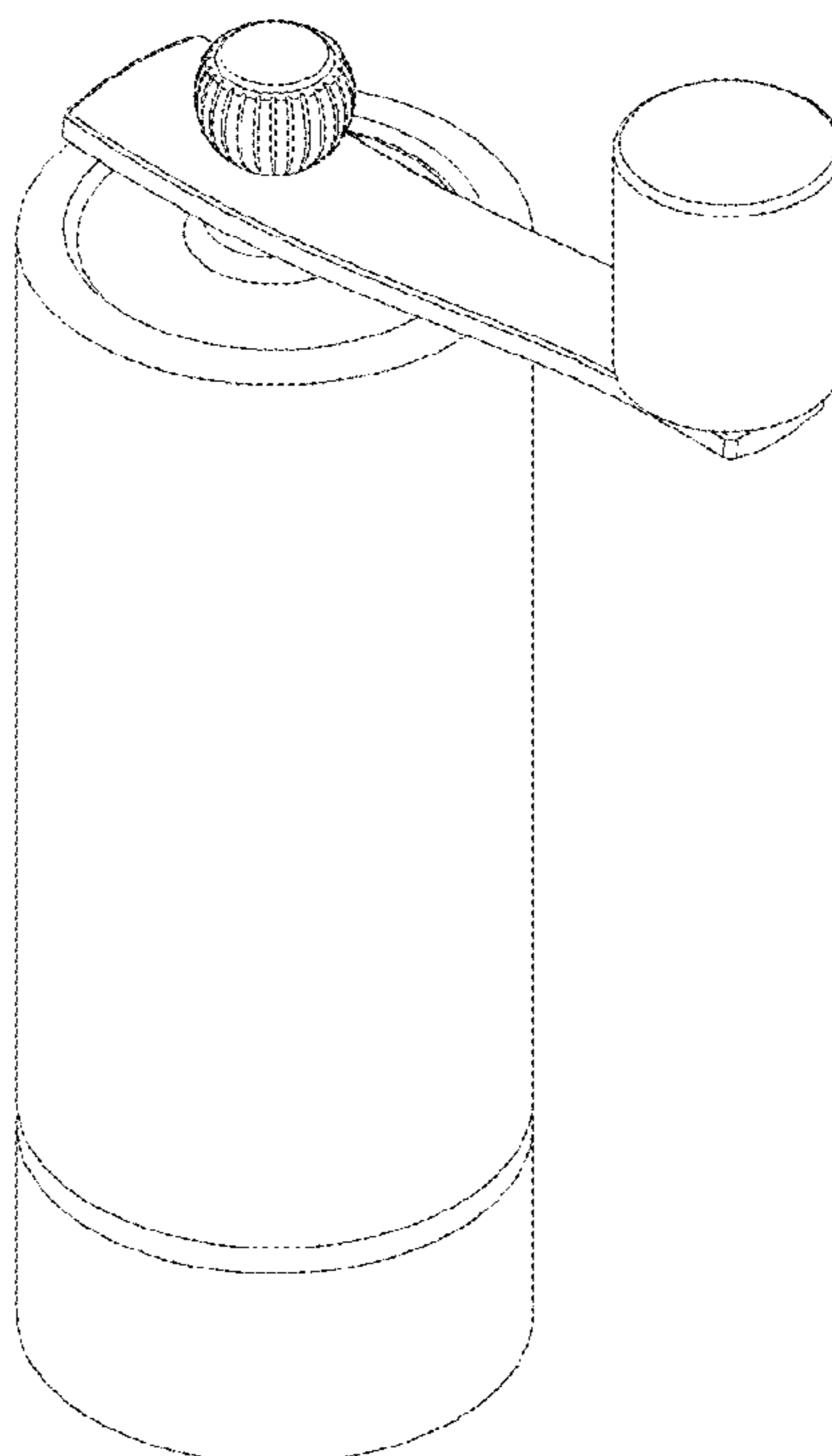
(57) **CLAIM**

The ornamental design for a spice mill, as shown and described.

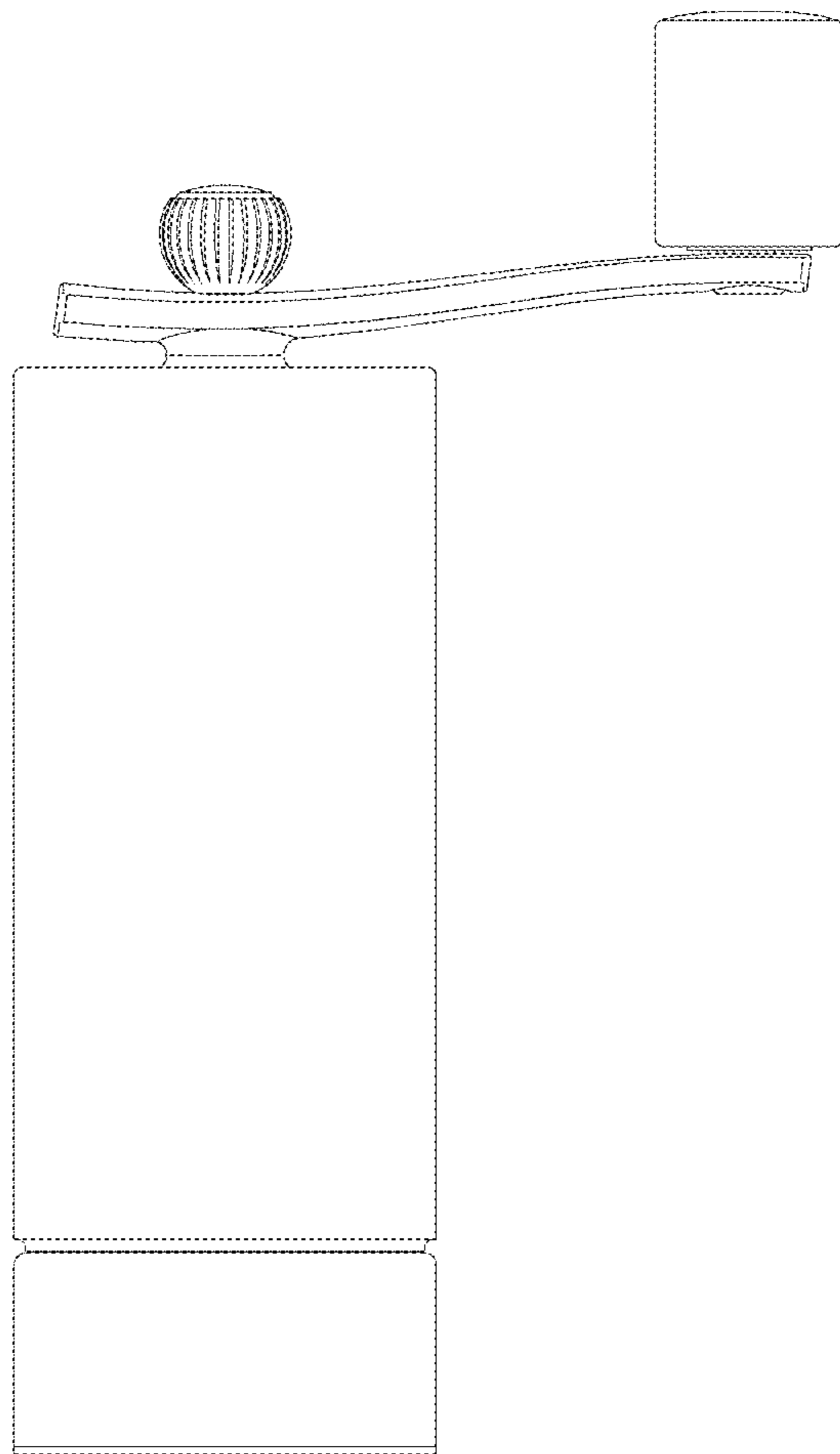
DESCRIPTION

1.1 is a front elevational view of a pepper mill showing my new design;
1.2 is a top front perspective view thereof;
1.3 is a top plan view thereof;
1.4 is a bottom plan view thereof; and,
1.5 is a left side elevational view thereof.
The broken lines in Figure **1.4** are included for the purpose of illustrating use and environment and forms no part of the claimed design.

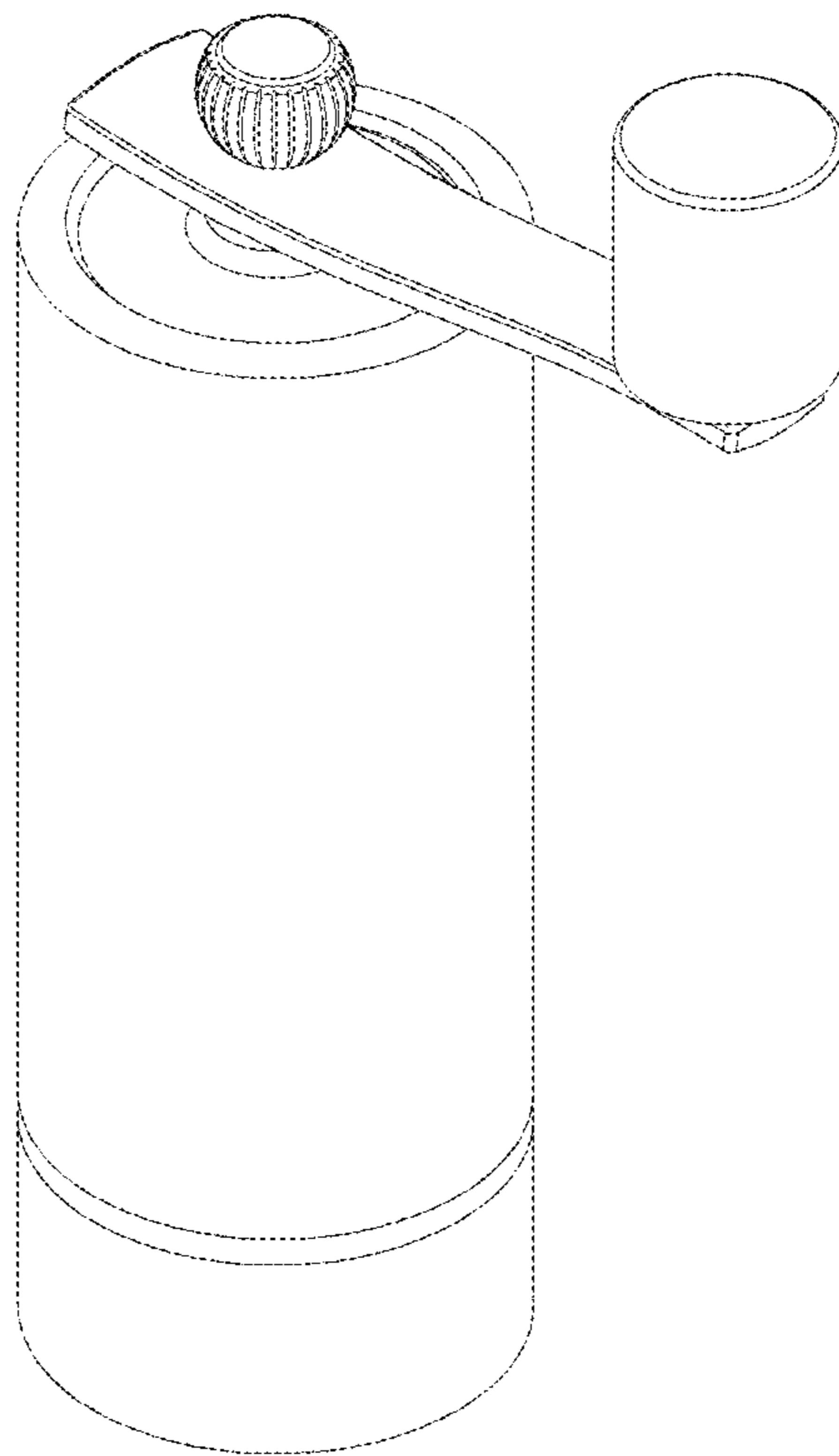
1 Claim, 5 Drawing Sheets



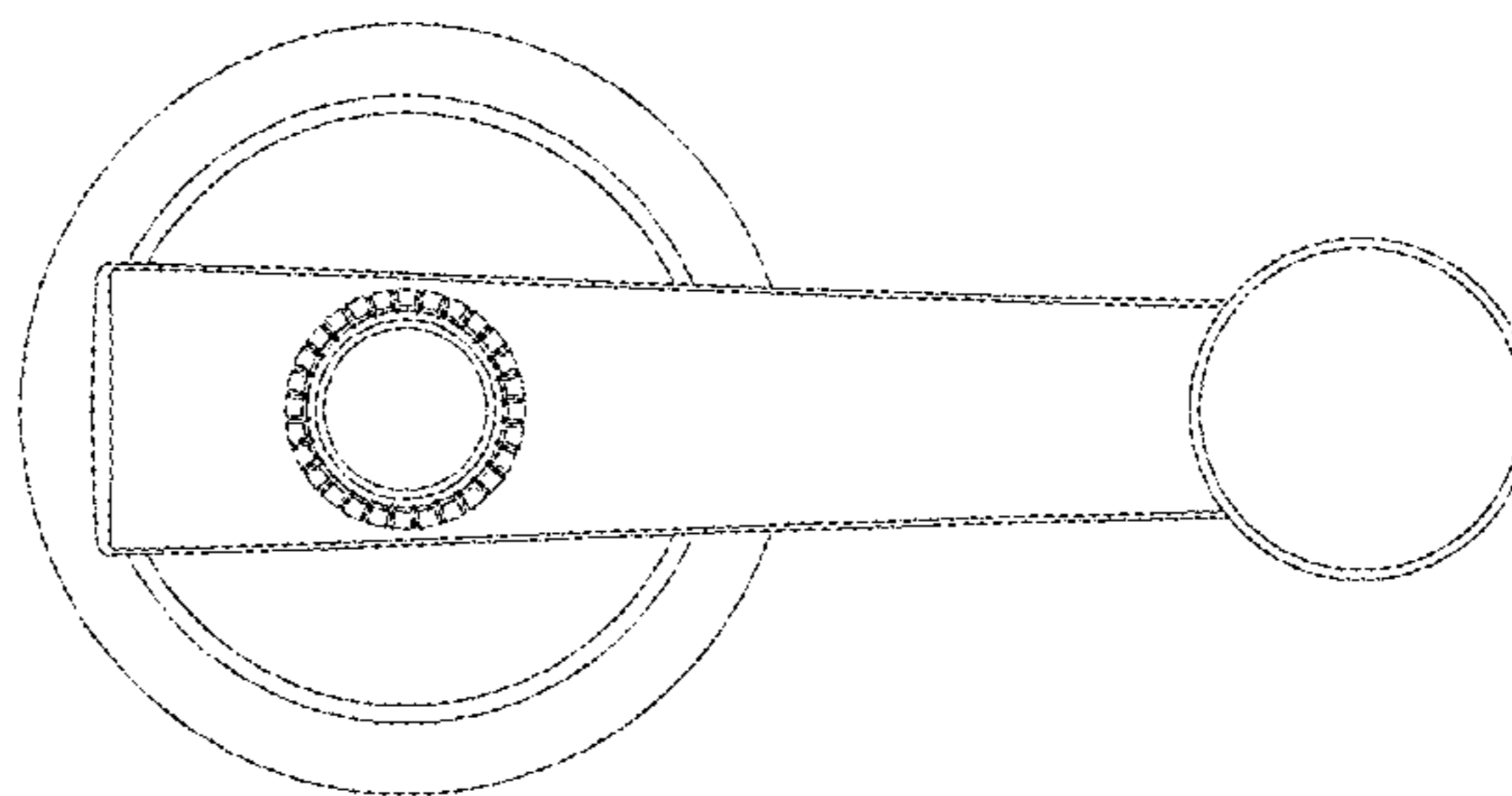
1.1



1.2



1.3



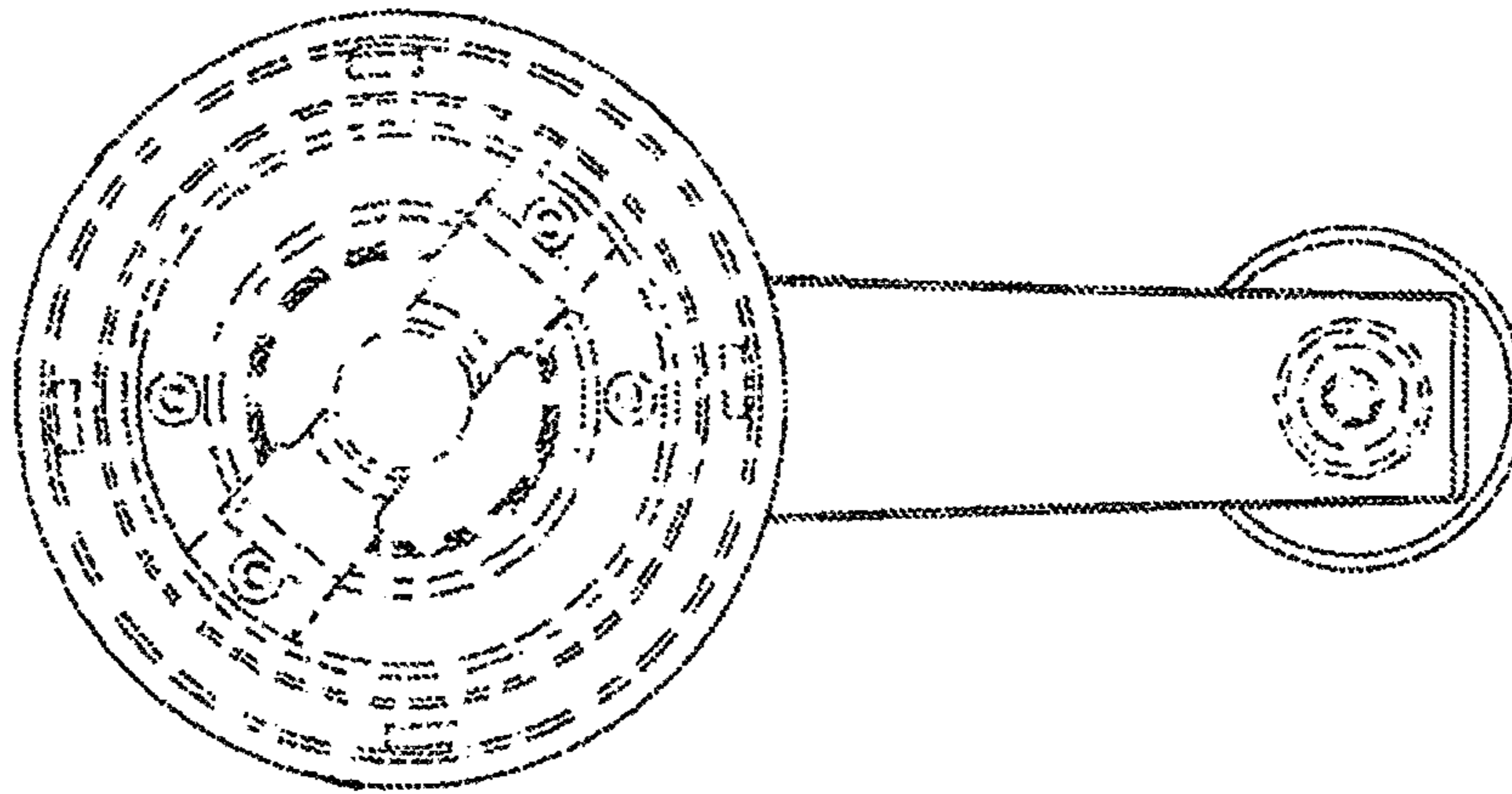


FIG. 1.4

1.5

