



US00D912480S

(12) **United States Design Patent**
Cloutier

(10) **Patent No.:** **US D912,480 S**

(45) **Date of Patent:** **** Mar. 9, 2021**

- (54) **FOLDING FOOD GRATER WITH INTERCHANGEABLE PANELS**
- (71) Applicant: **Magellan Home-Goods, Ltd.**, Blaine, WA (US)
- (72) Inventor: **Andre Dean Cloutier**, Blaine, WA (US)
- (73) Assignee: **Magellan Home-Goods, Ltd.**, Blaine, WA (US)

3,416,584 A * 12/1968 Rowley A47J 43/25
241/95
4,572,443 A * 2/1986 Coleman B02C 18/02
241/166
D343,098 S 1/1994 Shun
5,711,491 A * 1/1998 Molo A47J 43/25
241/95
15,983,556 5/2018 Cloutier
29,690,694 5/2019 Cloutier
(Continued)

- (**) Term: **15 Years**
- (21) Appl. No.: **29/734,704**
- (22) Filed: **May 14, 2020**

Related U.S. Application Data

- (63) Continuation of application No. 15/983,556, filed on May 18, 2018, now abandoned.
- (51) **LOC (13) Cl.** **07-04**
- (52) **U.S. Cl.**
USPC **D7/678**
- (58) **Field of Classification Search**
USPC D7/678, 693, 672-677, 381
CPC ... B26D 1/30; B26D 3/20; B26D 3/26; B26D 3/185; B26D 3/283; B26D 5/00; B26D 7/00; B26D 7/18; B26D 7/01; A47J 45/063; A47J 43/25; A47J 43/00; A47J 43/255; A47J 19/04; A47J 17/02; A47J 17/04

See application file for complete search history.

(56) **References Cited**

U.S. PATENT DOCUMENTS

411,568 A	9/1889	Becker
1,652,544 A	12/1927	Tanquary
2,447,714 A	8/1948	Dennis
3,121,450 A	2/1964	Cronheim

OTHER PUBLICATIONS

LIVELIFEFULLYCOACHING8, "Vintage In-Genia Imported Folding Grater With Tray Italy NIB Rare A141-119", 2017, eBay, https://www.ebay.com/itm/Vintage-In-Genia-Imported-Folding-Grater-With-Tray-Italy-NIB-Rare-A141-119-/142526472029?_trksid=p2385738.m4383.l4275.c10 (Year: 2017), 4 pages.
(Continued)

Primary Examiner — Terry A Wallace
(74) *Attorney, Agent, or Firm* — Schacht Law Office, Inc.; Dwayne Rogge

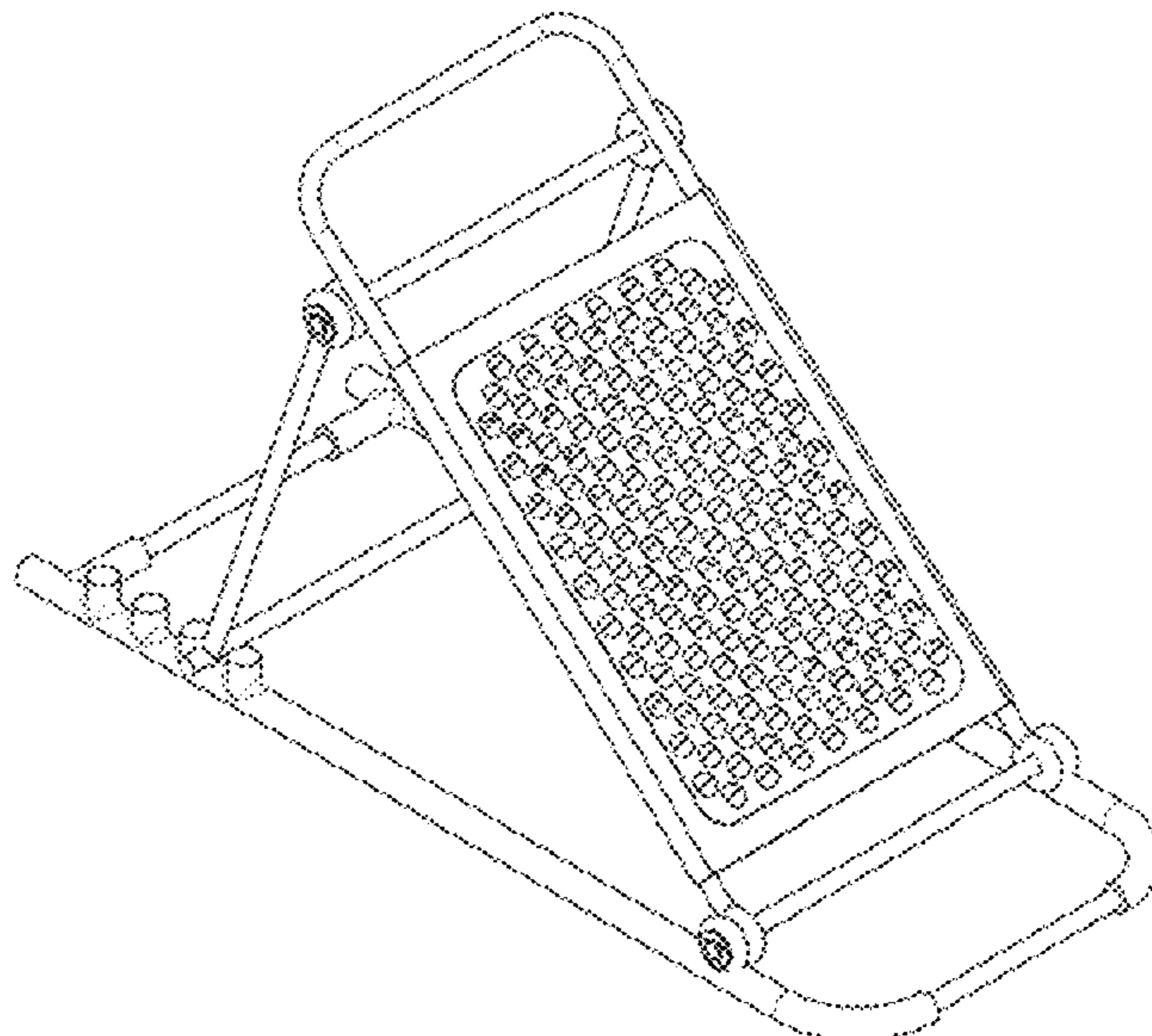
(57) **CLAIM**

The ornamental design for a folding food grater with interchangeable panels, as shown and described.

DESCRIPTION

FIG. 1 is a front perspective view of the folding food grater with interchangeable panels.
FIG. 2 is a partially exploded view thereof.
FIG. 3 is a right side view thereof.
FIG. 4 is a left side view thereof in a grating configuration.
FIG. 5 is a right side view thereof in a storage configuration.
FIG. 6 is a front view thereof.
FIG. 7 is a rear view thereof.
FIG. 8 is a top view thereof; and,
FIG. 9 is a bottom view thereof.

1 Claim, 3 Drawing Sheets



(56)

References Cited

U.S. PATENT DOCUMENTS

2002/0174754 A1* 11/2002 Vincent B26D 3/283
83/247
2010/0180780 A1 7/2010 Beckmann
2012/0312908 A1 12/2012 Kent
2014/0246527 A1 9/2014 Lee et al.

OTHER PUBLICATIONS

Melvin Ong, "Quirky Grip Grater Stainless Steel", 2013, YouTube,
<https://www.youtube.com/watch?v=GuLIZ4GXYVw> (Year: 2013),
1 page.

Quirky "Grip Grater", 2016, <https://shop-uk.quirky.com/products/grip-grater> (Year: 2016), 3 pages.

San Mateo County History Museum, "'In-Genia' Cheese Grater, c. 1050's", 1950, <https://historysmc.pastperfectonline.com/webobject/21AB2B07-1E79-4492-BA5F-461268037269> (Year: 1950), 2 pages.

* cited by examiner

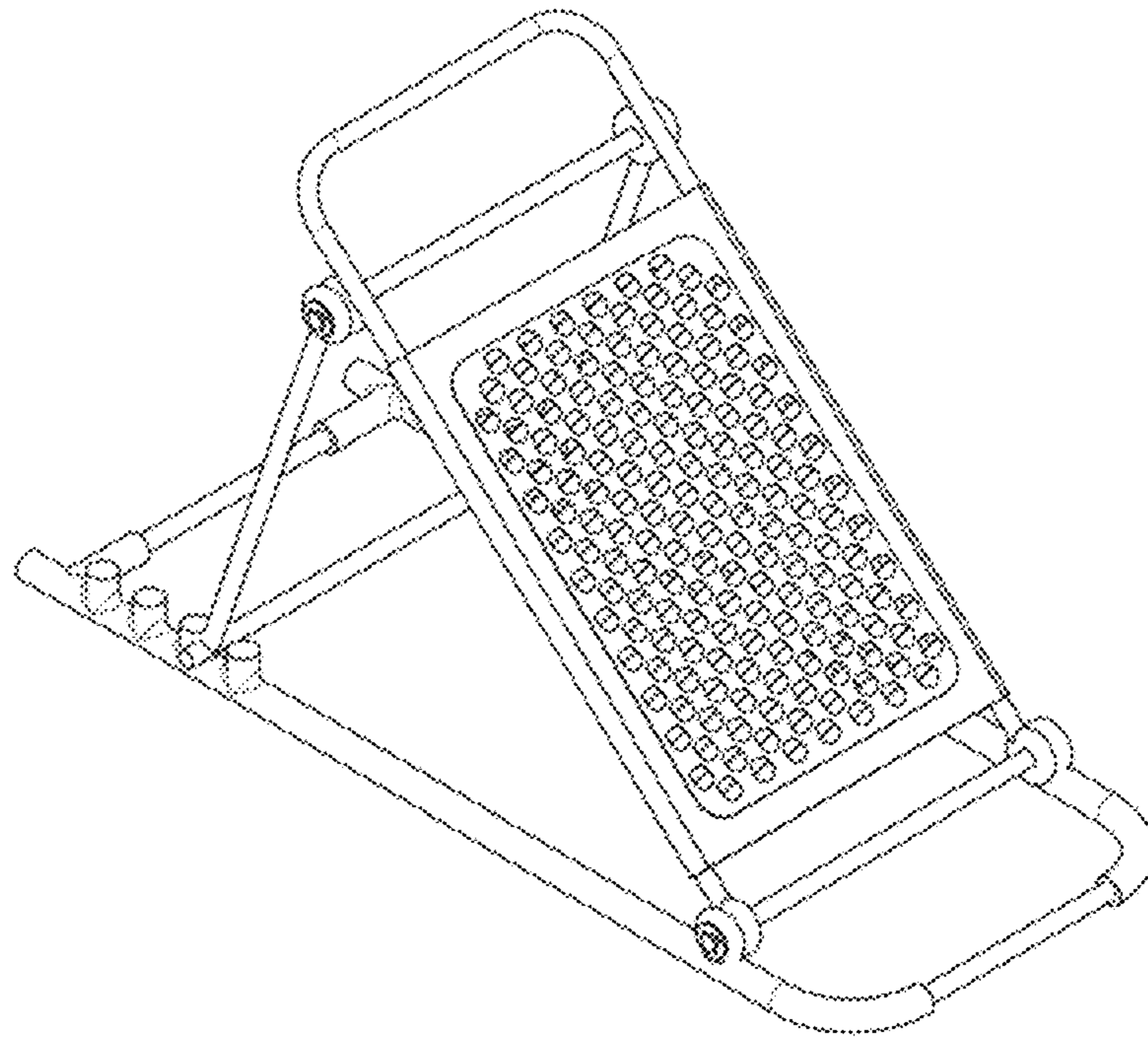


Fig. 1

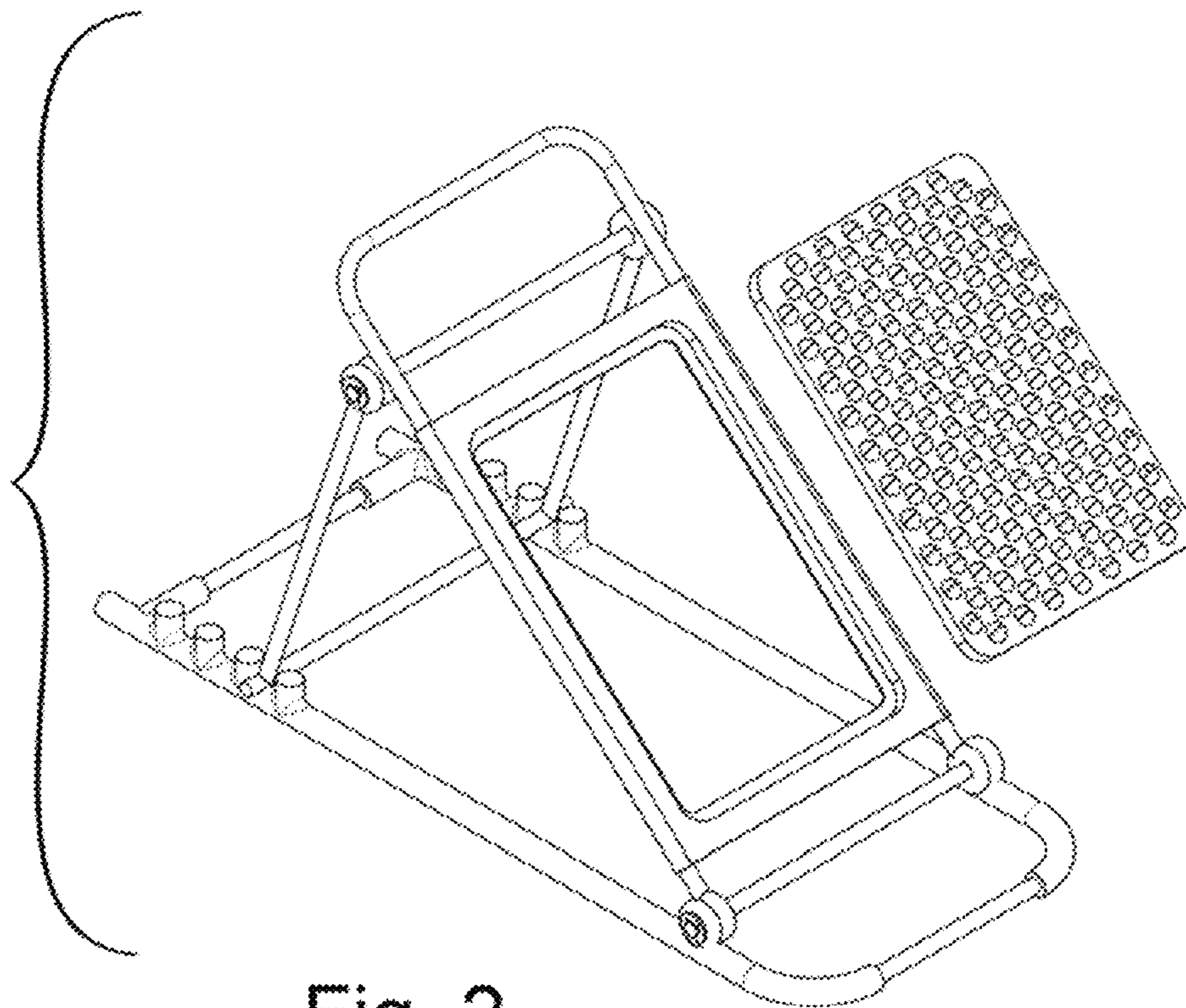


Fig. 2

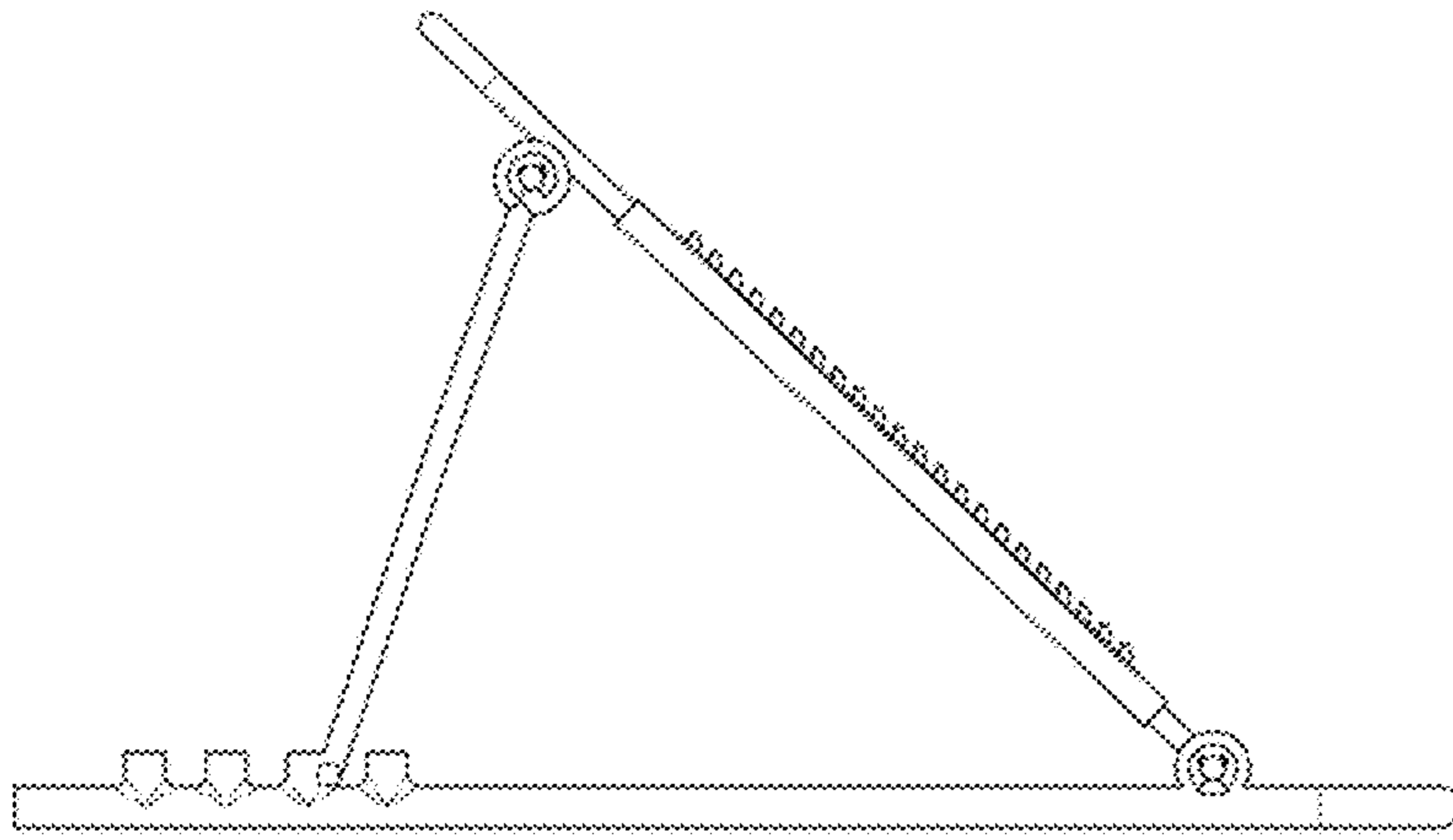


Fig. 3

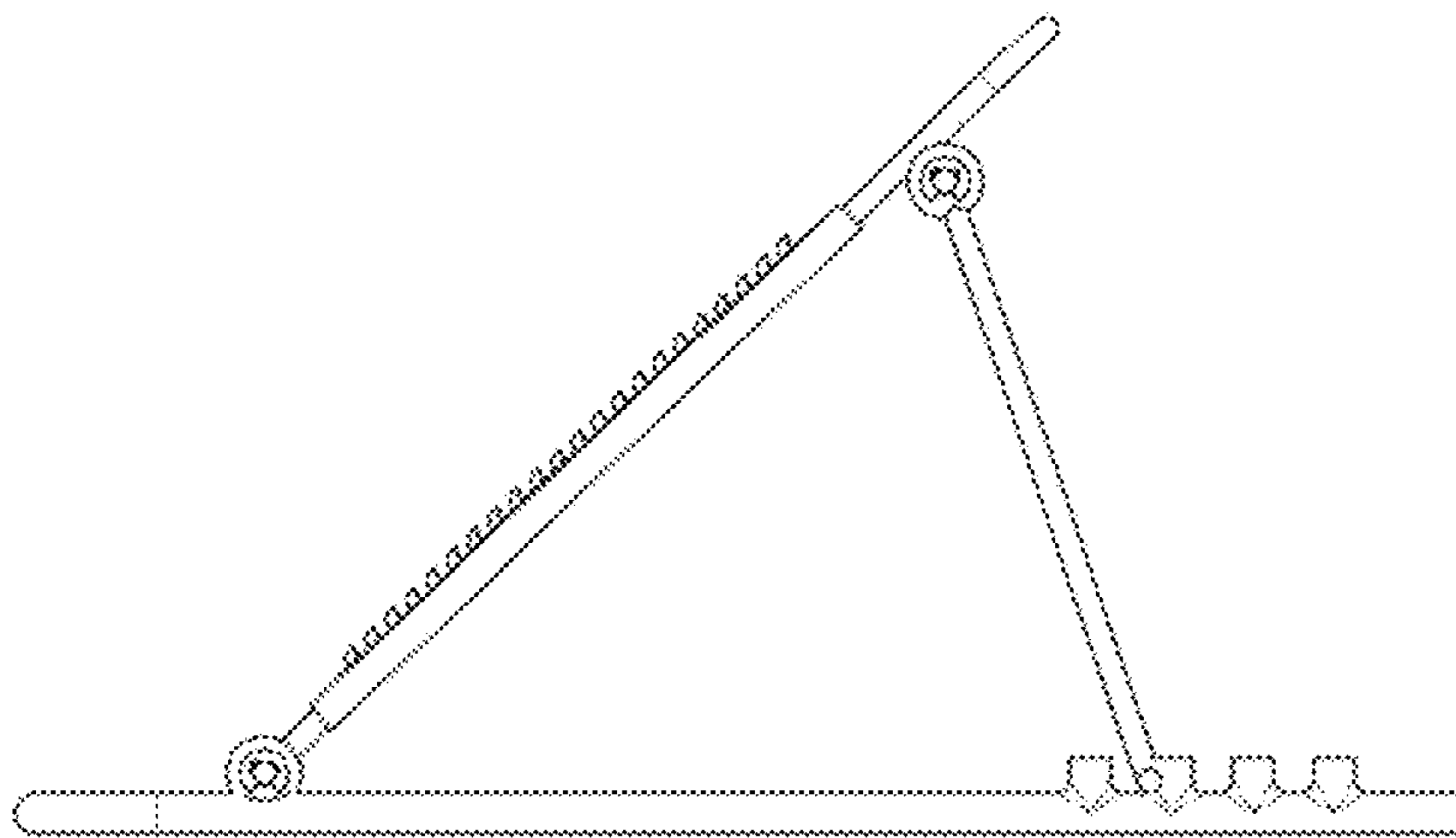


Fig. 4

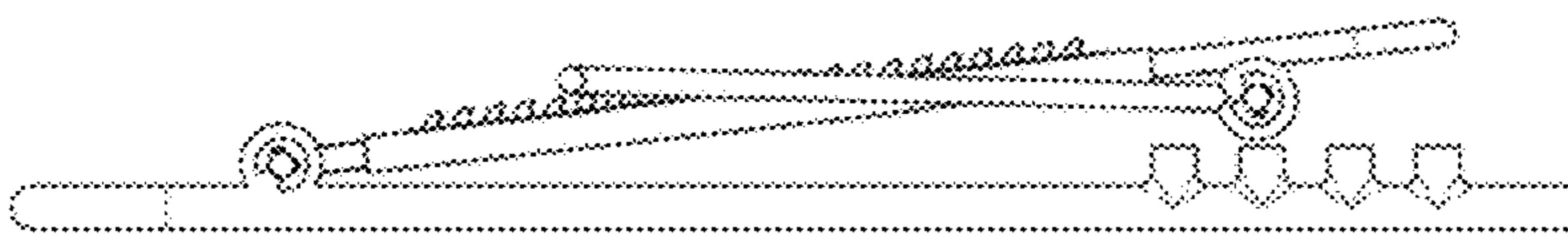


Fig. 5

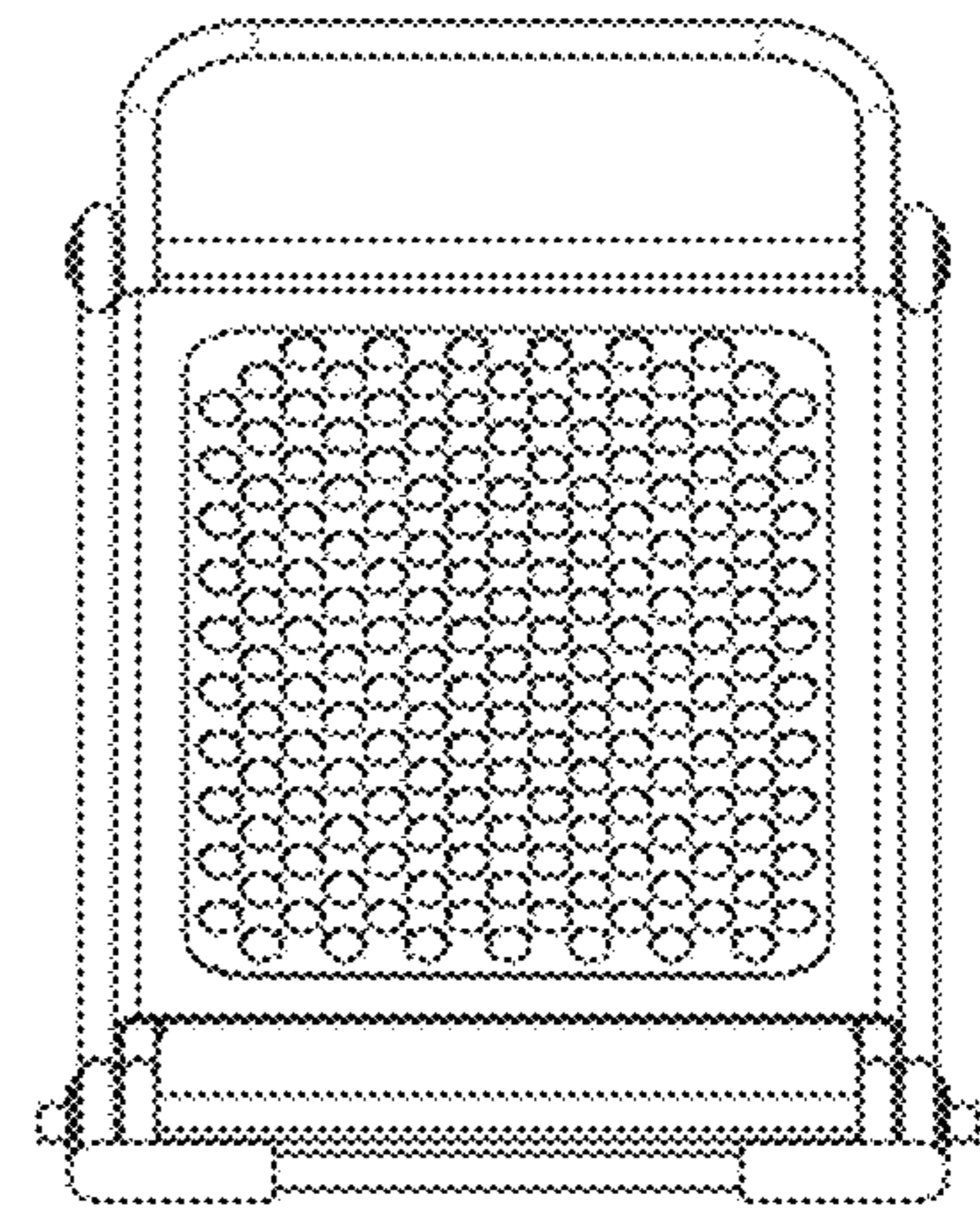


Fig. 6

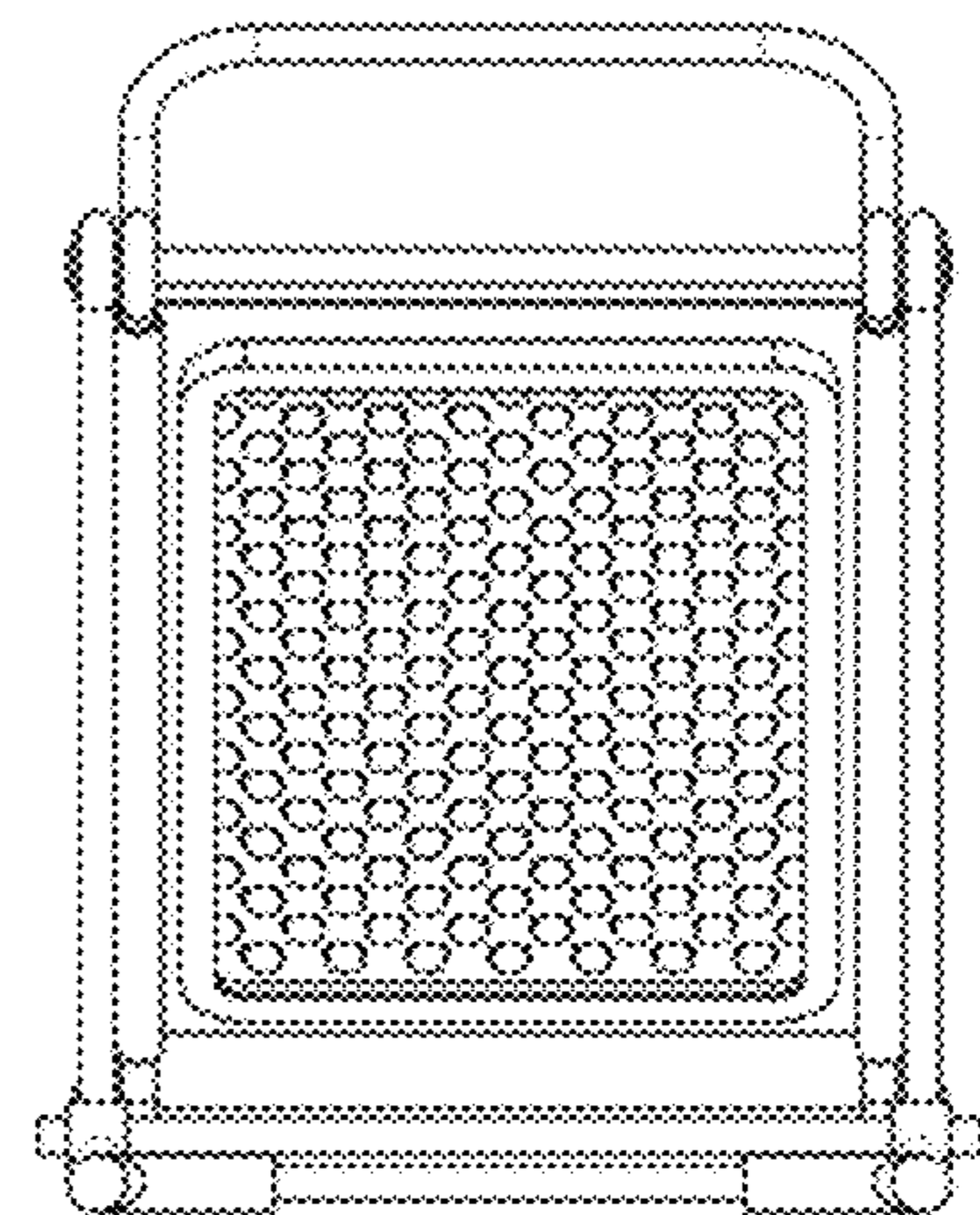


Fig. 7

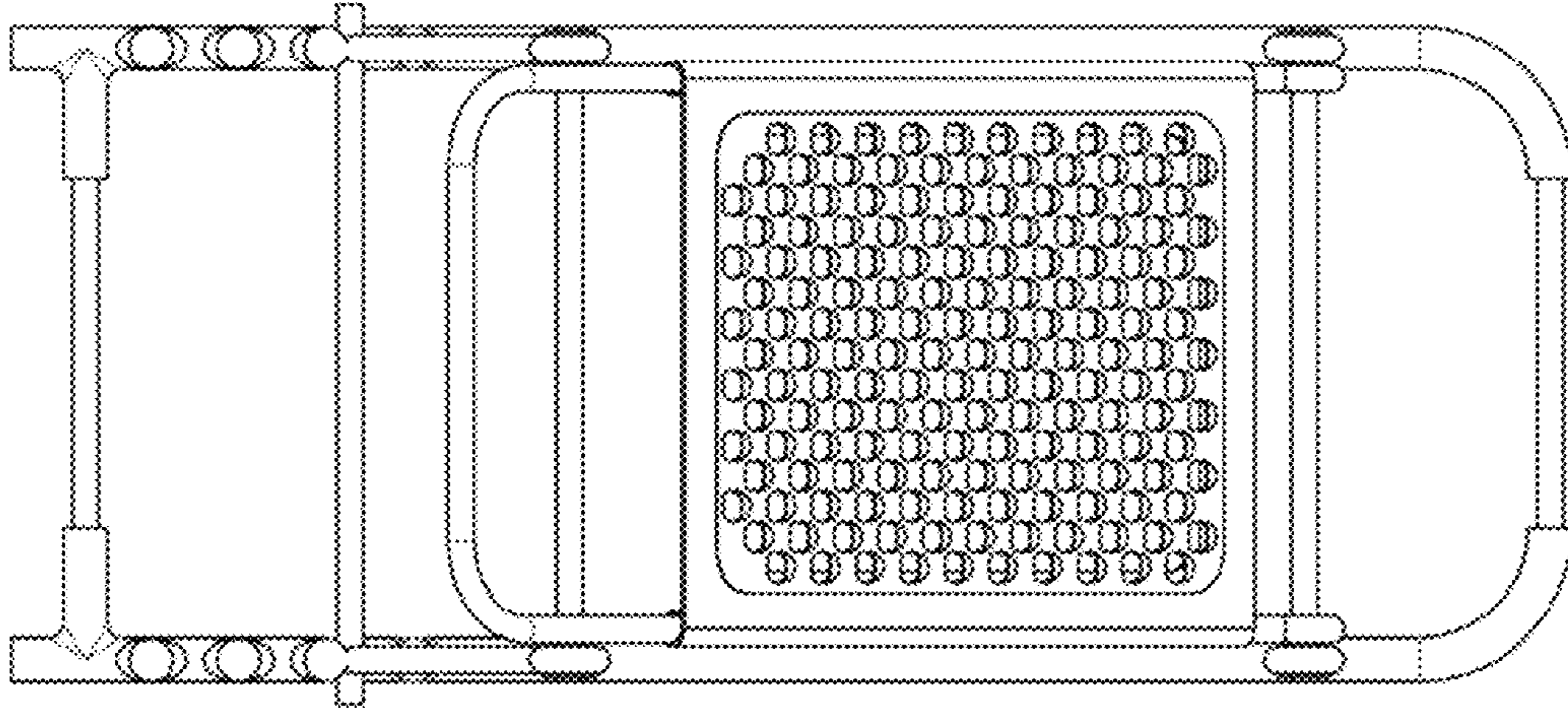


Fig. 8

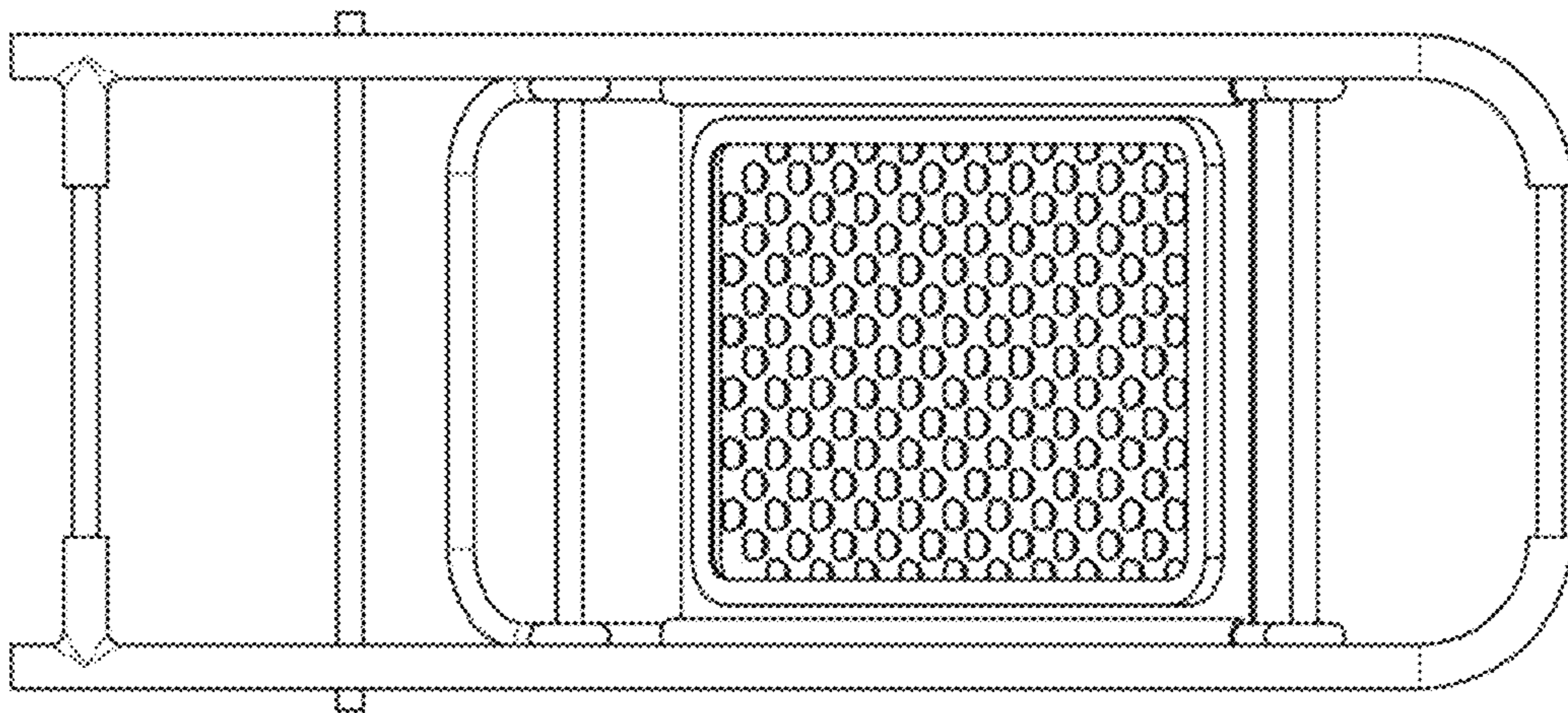


Fig. 9