



US00D912477S

(12) **United States Design Patent** (10) **Patent No.:** **US D912,477 S**
Agha (45) **Date of Patent:** **** Mar. 9, 2021**

(54) **INSULATOR FOR BEVERAGE CANS**

(56) **References Cited**

(71) Applicant: **Ayad K. M. Agha**, Paradise Valley, AZ
(US)

U.S. PATENT DOCUMENTS

(72) Inventor: **Ayad K. M. Agha**, Paradise Valley, AZ
(US)

4,540,611	A *	9/1985	Henderson	B65D 23/08 150/901
9,044,113	B2 *	6/2015	Hargett	B65D 81/3876
D808,740	S *	1/2018	Hennessy	D7/624.2
2007/0138188	A1 *	6/2007	Mace	B31D 5/0086 220/739
2008/0017654	A1 *	1/2008	Chu	B65D 81/3886 220/739
2013/0075412	A1 *	3/2013	Schminke	B65D 81/3876 220/739
2013/0213987	A1 *	8/2013	Drutz	B65D 81/3876 220/738
2014/0339244	A1 *	11/2014	Arnold	B65D 81/3886 220/739

(**) Term: **15 Years**

(21) Appl. No.: **29/697,866**

(22) Filed: **Jul. 11, 2019**

(51) **LOC (13) Cl.** **07-01**

(52) **U.S. Cl.**
USPC **D7/607**

(58) **Field of Classification Search**
USPC D7/605-608, 619.1-625, 509-511
CPC A47G 23/0216; A47G 23/0258; A47G 19/2205; A47G 19/2288; A47G 19/2272; F17C 13/001; B65D 81/3886; B65D 81/3823; B65D 81/3818; B65D 81/3846; B65D 81/3837; B65D 81/3839; B65D 81/3841; B65D 81/3844; B65D 81/3876; B65D 81/3879; B65D 81/3883; B65D 81/3888; B65D 81/3881; B65D 81/389; B65D 81/3893; B65D 81/3895; B65D 81/3897; B65D 1/0215; B65D 21/0228; B65D 21/083; B65D 23/0885; B65D 41/04; B65D 1/06; B65D 1/04; F25D 3/08; F25D 3/14; F25D 2331/804; A47J 42/02; A47J 41/0077; A47J 41/02; A47J 41/022; A47J 41/024; A47J 41/026; A47J 41/028; A47J 41/00; A47J 43/27; A45C 11/20; B44C 1/18; A45F 3/16

See application file for complete search history.

* cited by examiner

Primary Examiner — Terry A Wallace

(74) *Attorney, Agent, or Firm* — Mark V. Loen

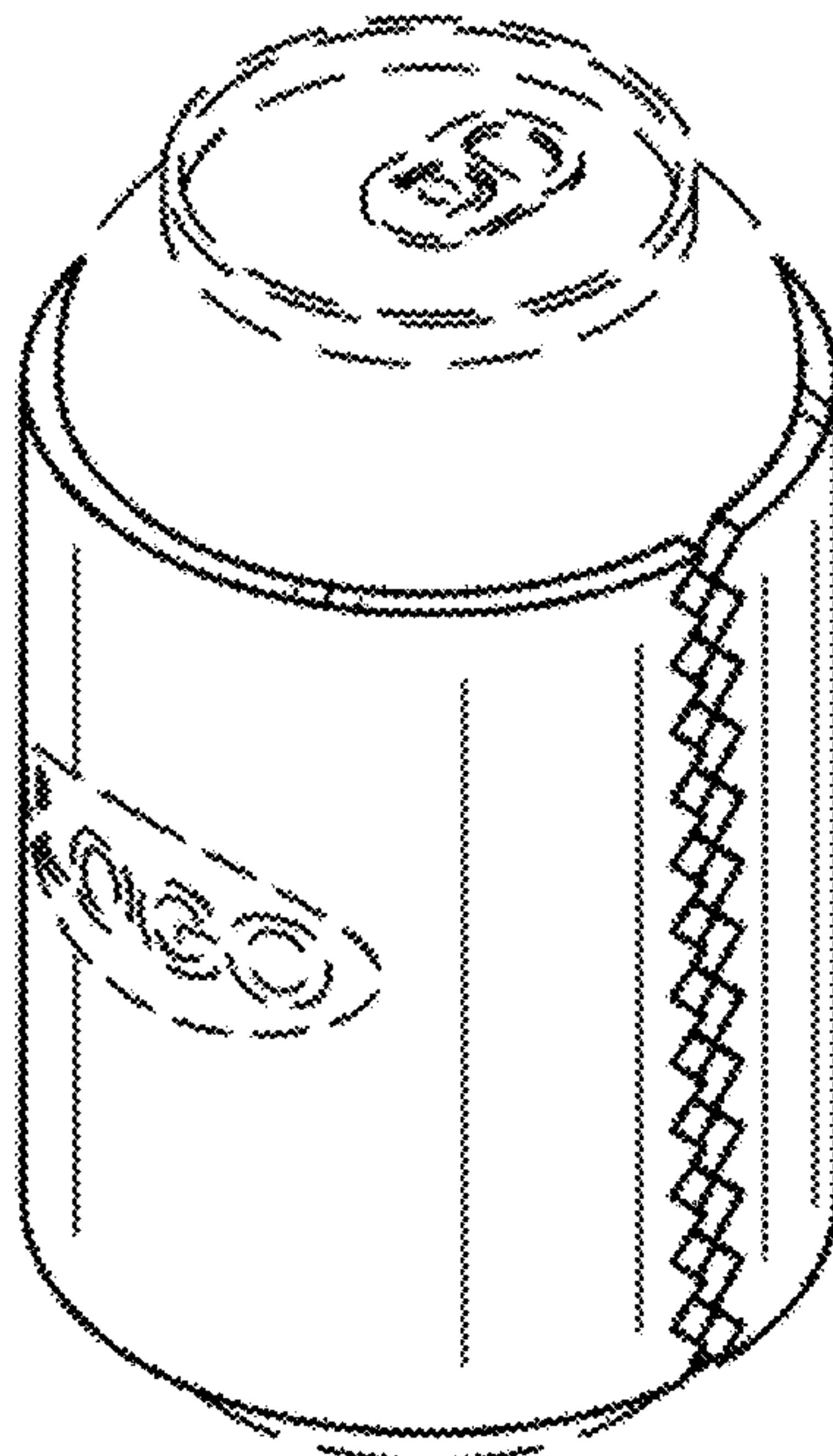
(57) **CLAIM**

The insulator for beverage cans, as shown and described.

DESCRIPTION

FIG. 1 is a front view of an insulator for beverage cans;
FIG. 2 is a top view thereof;
FIG. 3 is a bottom view thereof;
FIG. 4 is a right side view thereof;
FIG. 5 is a left side view thereof;
FIG. 6 is a back view thereof; and,
FIG. 7 is an isometric view thereof in a condition of use.
The features drawn in broken lines in FIG. 7 show a beverage can associated with the insulator for beverage cans in a condition of use, and which forms no part of the claimed invention.

1 Claim, 3 Drawing Sheets



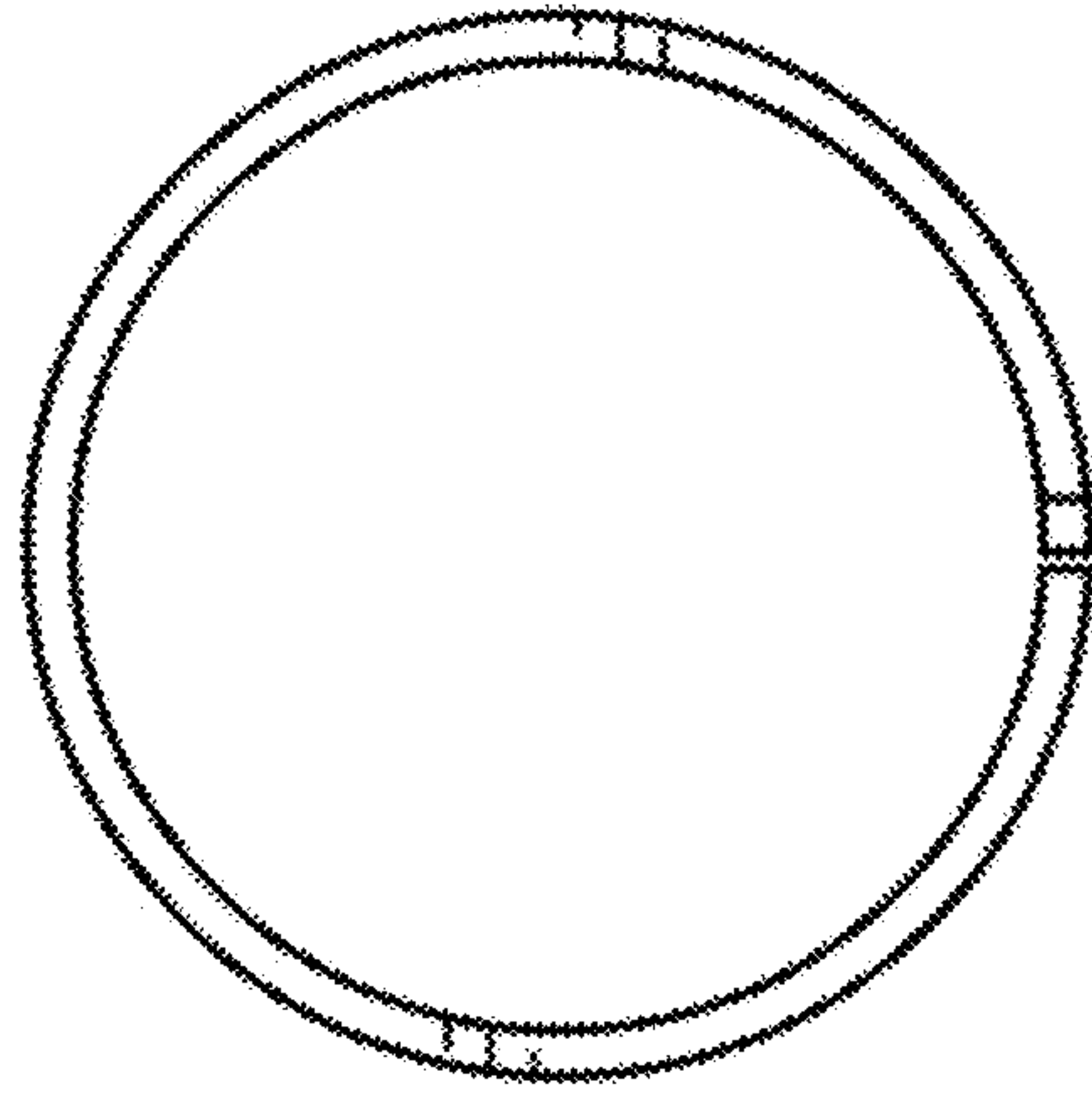


Fig. 2

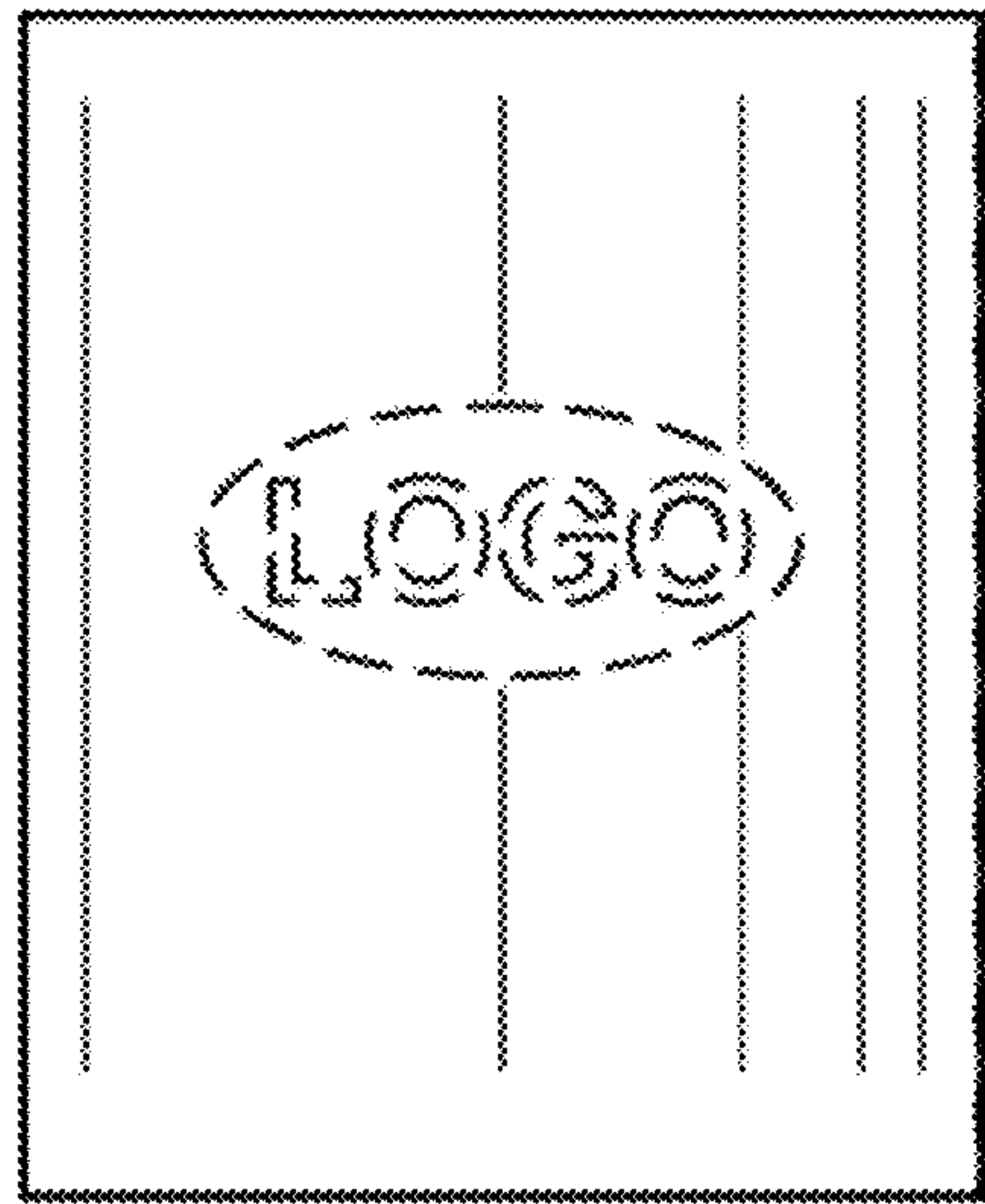


Fig. 1

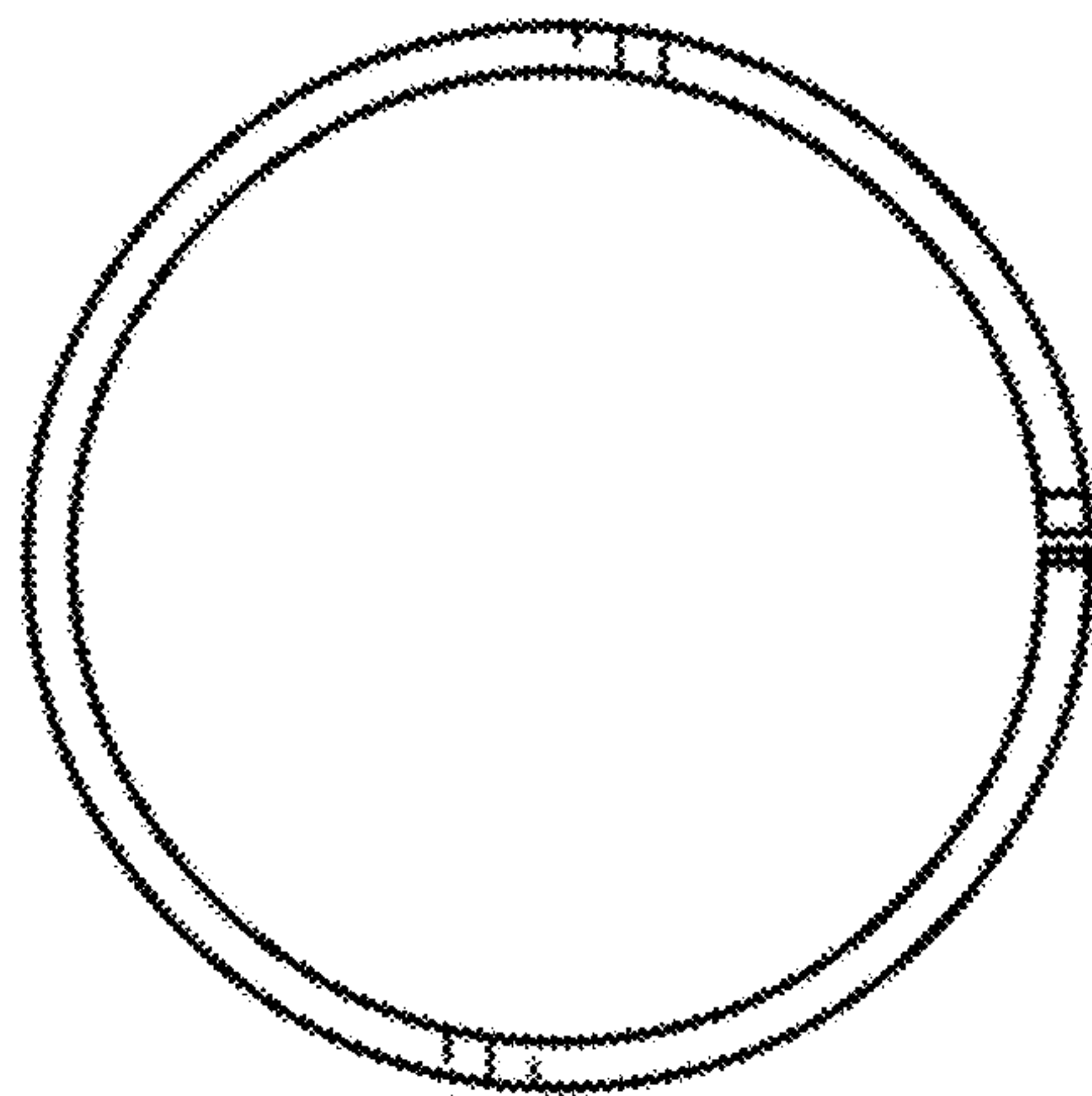


Fig. 3

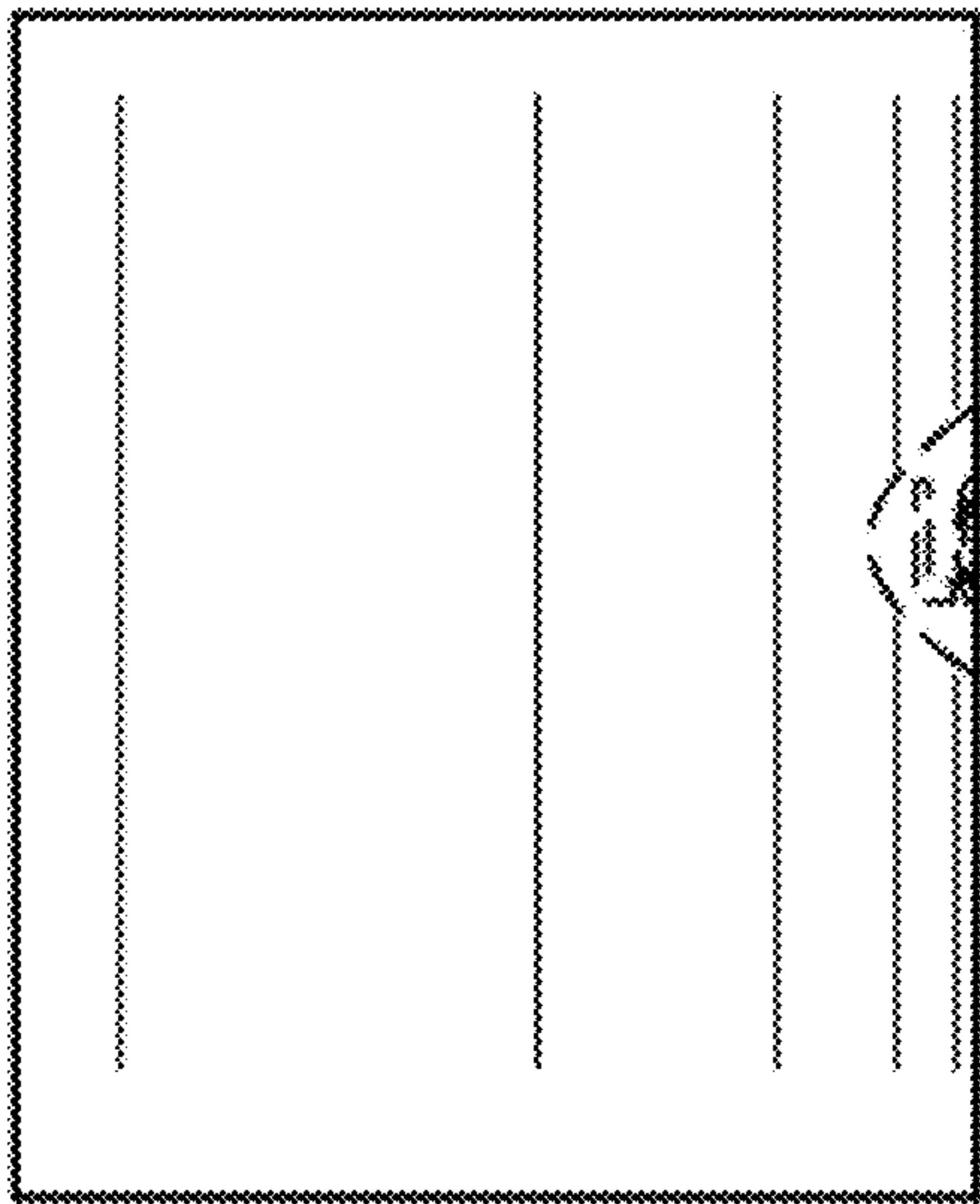


Fig. 4

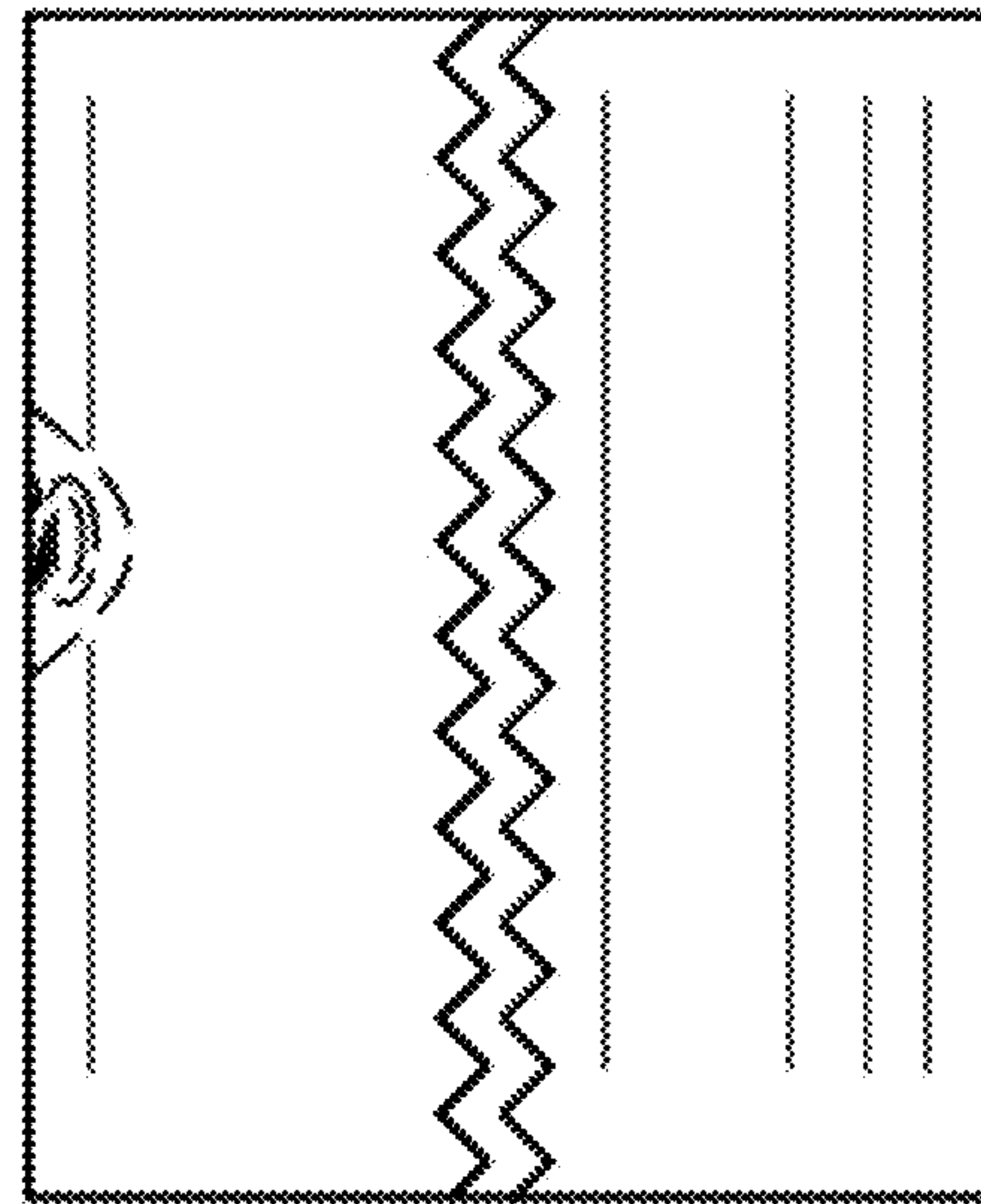


Fig. 5

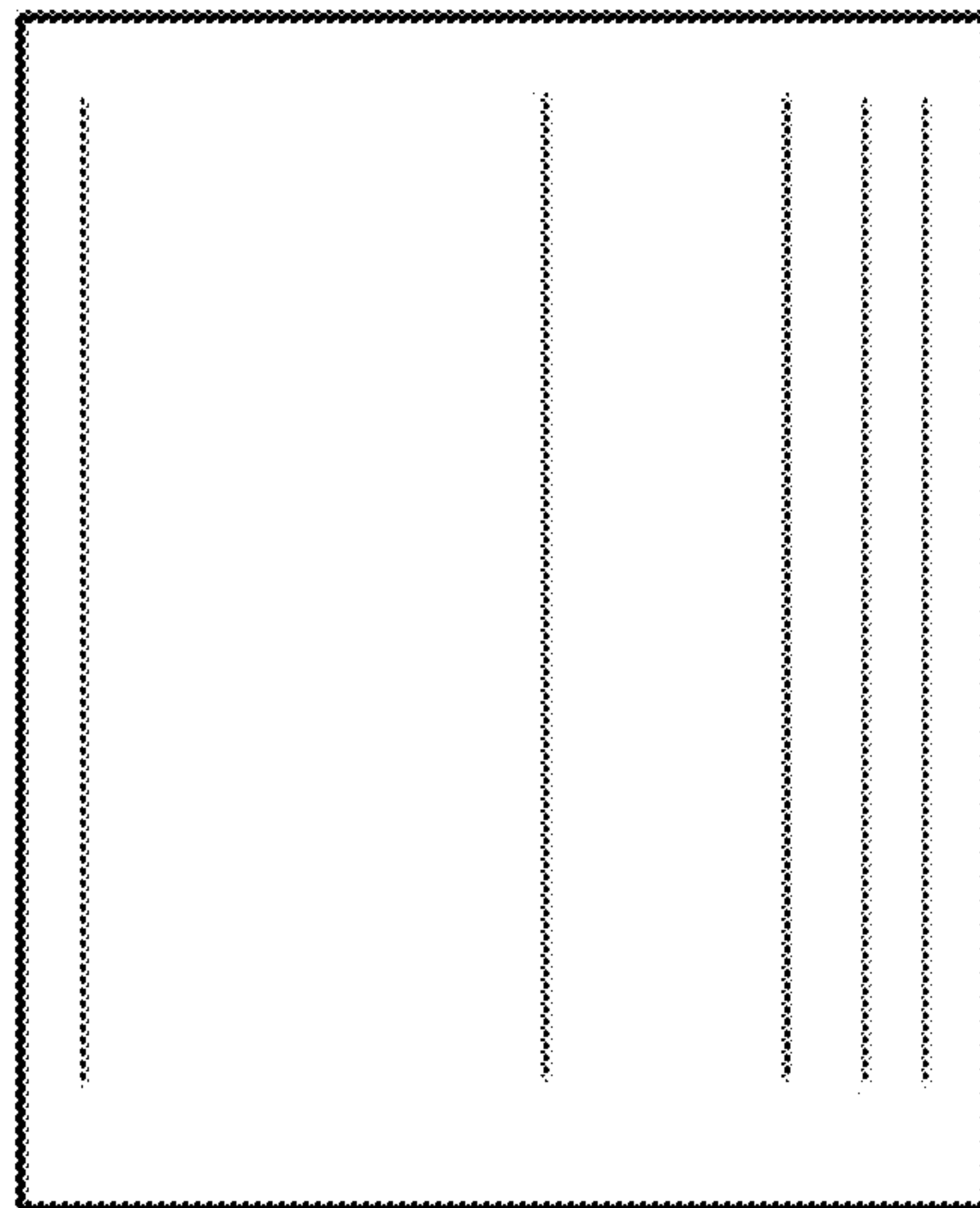


Fig. 6

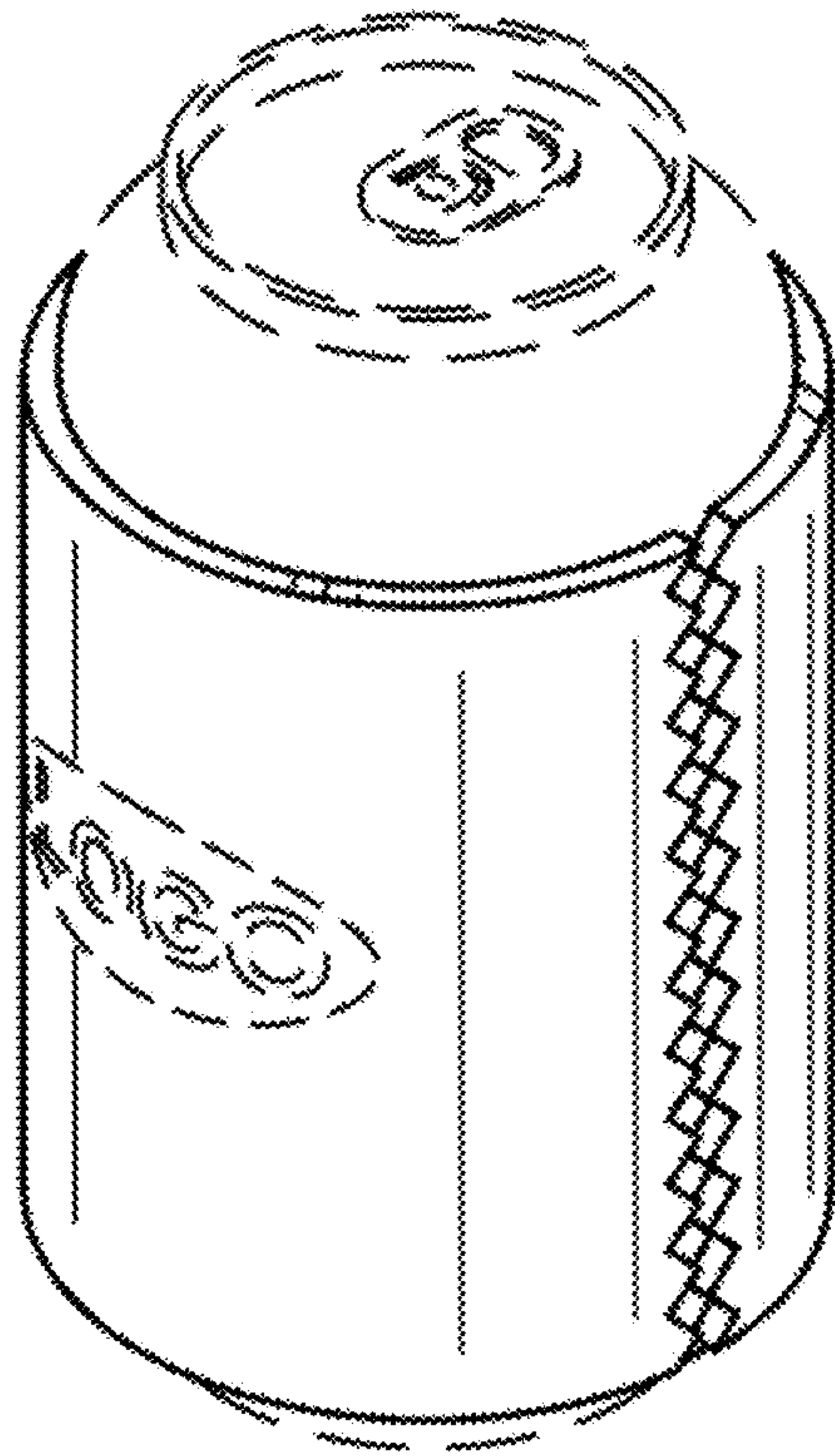


Fig. 7