



US00D912476S

(12) **United States Design Patent**  
**Chuang et al.**

(10) **Patent No.:** **US D912,476 S**  
(45) **Date of Patent:** **\*\* Mar. 9, 2021**

(54) **COOLER WITH GAME LID**

(71) Applicant: **Trinity International Industries, L.L.C.**, Carson, CA (US)  
(72) Inventors: **Yuan-Luen Chuang**, Shanghai (CN); **Cze-Chao Tam**, Palos Verdes, CA (US)

(73) Assignee: **TRINITY INTERNATIONAL INDUSTRIES, L.L.C.**, Carson, CA (US)

(\*\*) Term: **15 Years**

(21) Appl. No.: **29/699,117**

(22) Filed: **Jul. 23, 2019**

(51) **LOC (13) Cl.** ..... **07-01**

(52) **U.S. Cl.**  
USPC ..... **D7/605**

(58) **Field of Classification Search**  
USPC ..... D7/605-608; D21/312, 322, 323  
CPC ..... F25D 3/02; F25D 3/04; F25D 3/06; F25D 3/08; F25D 3/14; F25D 3/107; F25D 2331/801; F25D 2331/804; B65D 81/38; B65D 81/3813; B65D 81/3816; B65D 81/3818; B65D 81/382; B65D 81/3823; B65D 81/3825; B65D 81/3827; B65D 81/383; B65D 81/3832; B65D 81/3834; B65D 81/3848; B65D 81/3851; B65D 81/3853; B65D 81/3855; B65D 81/3858; B65D 81/386; B65D 81/3862; A45C 11/20

See application file for complete search history.

(56) **References Cited**

**U.S. PATENT DOCUMENTS**

5,326,102 A \* 7/1994 Chang ..... A63F 7/0672 108/161  
D368,387 S \* 4/1996 Bureau ..... D6/686

9,623,318 B2 \* 4/2017 Yang ..... A47B 31/02  
9,989,299 B1 \* 6/2018 Ballard ..... F21S 4/22  
2003/0168800 A1 \* 9/2003 Tsai ..... A63F 7/0672 273/108.52  
2003/0197326 A1 \* 10/2003 Makhoul ..... A63F 7/0612 273/108.54  
2007/0216101 A1 \* 9/2007 Padilla ..... A63D 15/04 273/309  
2016/0046416 A1 \* 2/2016 Gao ..... B65D 81/3813 280/79.2  
2016/0135559 A1 \* 5/2016 Scally ..... B65D 81/3813 220/592.03

\* cited by examiner

*Primary Examiner* — Terry A Wallace

(74) *Attorney, Agent, or Firm* — Innovation Capital Law Group, LLP; Vic Lin

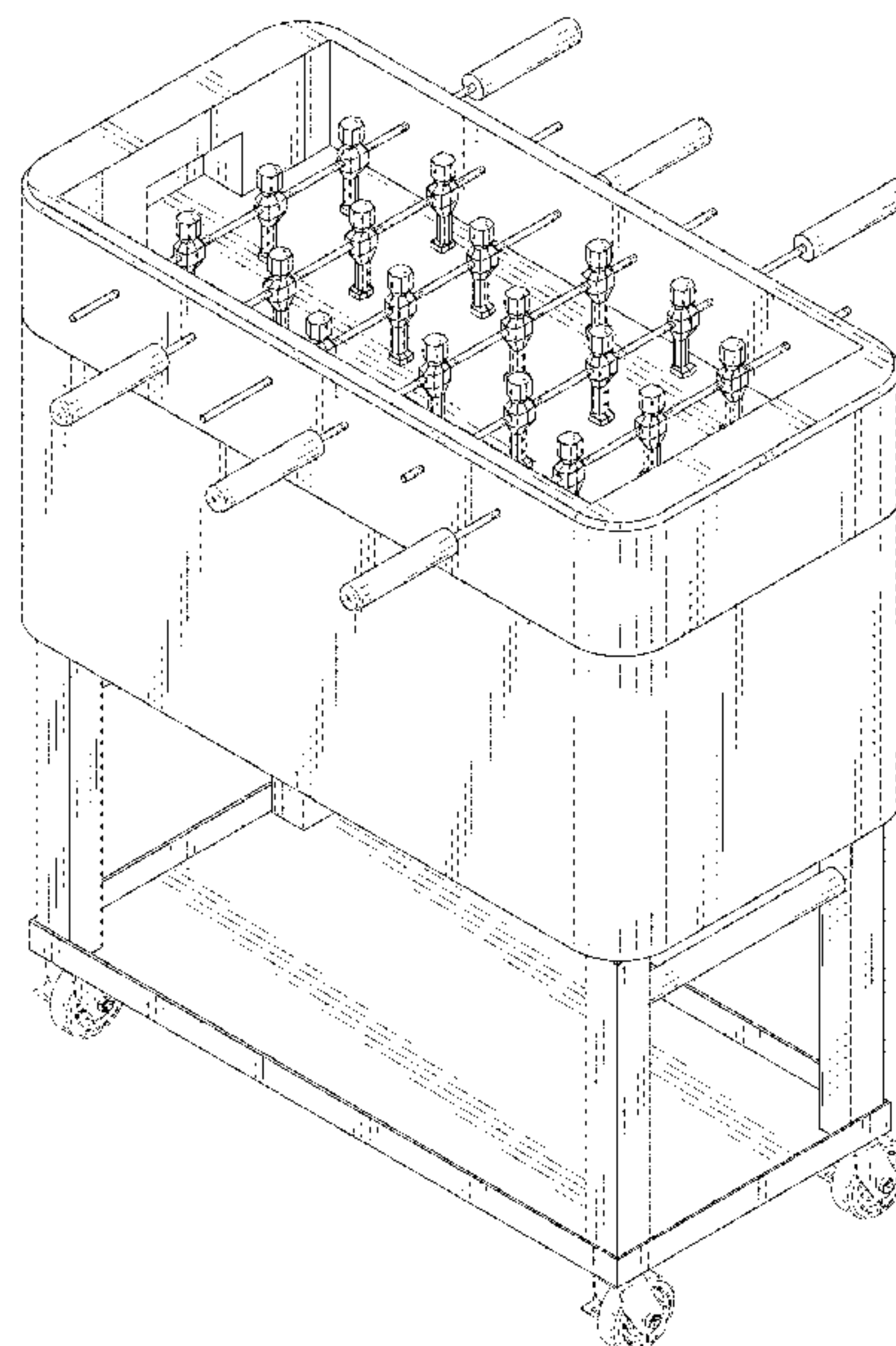
(57) **CLAIM**

The ornamental design for a cooler with game lid, as shown and described.

**DESCRIPTION**

FIG. 1 is a front elevation view of a cooler with game lid, showing our new design;  
FIG. 2 is a rear elevation view thereof;  
FIG. 3 is a left elevation view thereof;  
FIG. 4 is a right elevation view thereof;  
FIG. 5 is a top plan view thereof;  
FIG. 6 is a bottom plan view thereof;  
FIG. 7 is a front perspective view thereof;  
FIG. 8 is a rear perspective view thereof;  
FIG. 9 is a bottom perspective view thereof; and,  
FIG. 10 is a front perspective view thereof with the lid open.

**1 Claim, 10 Drawing Sheets**



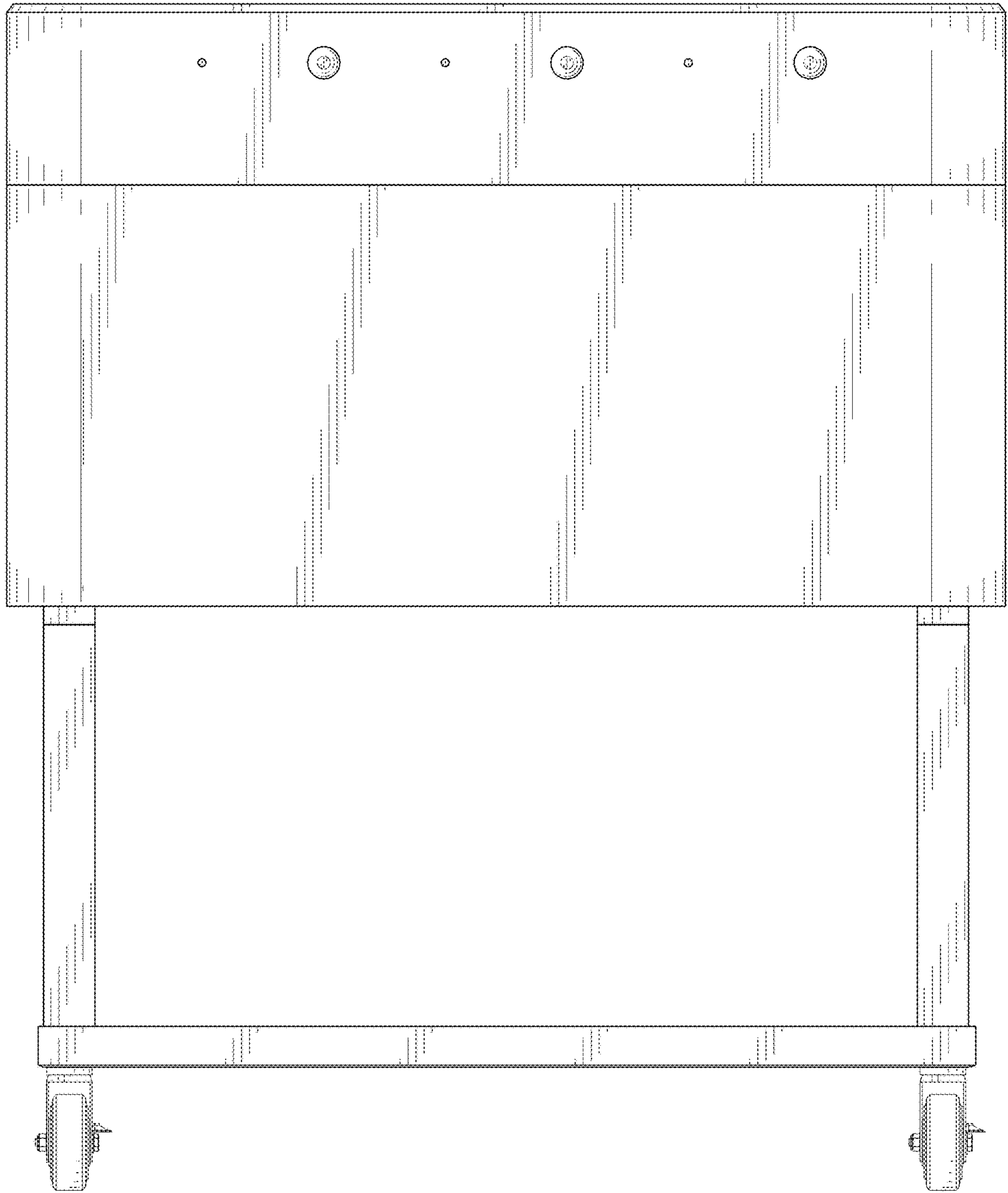


FIG. 1

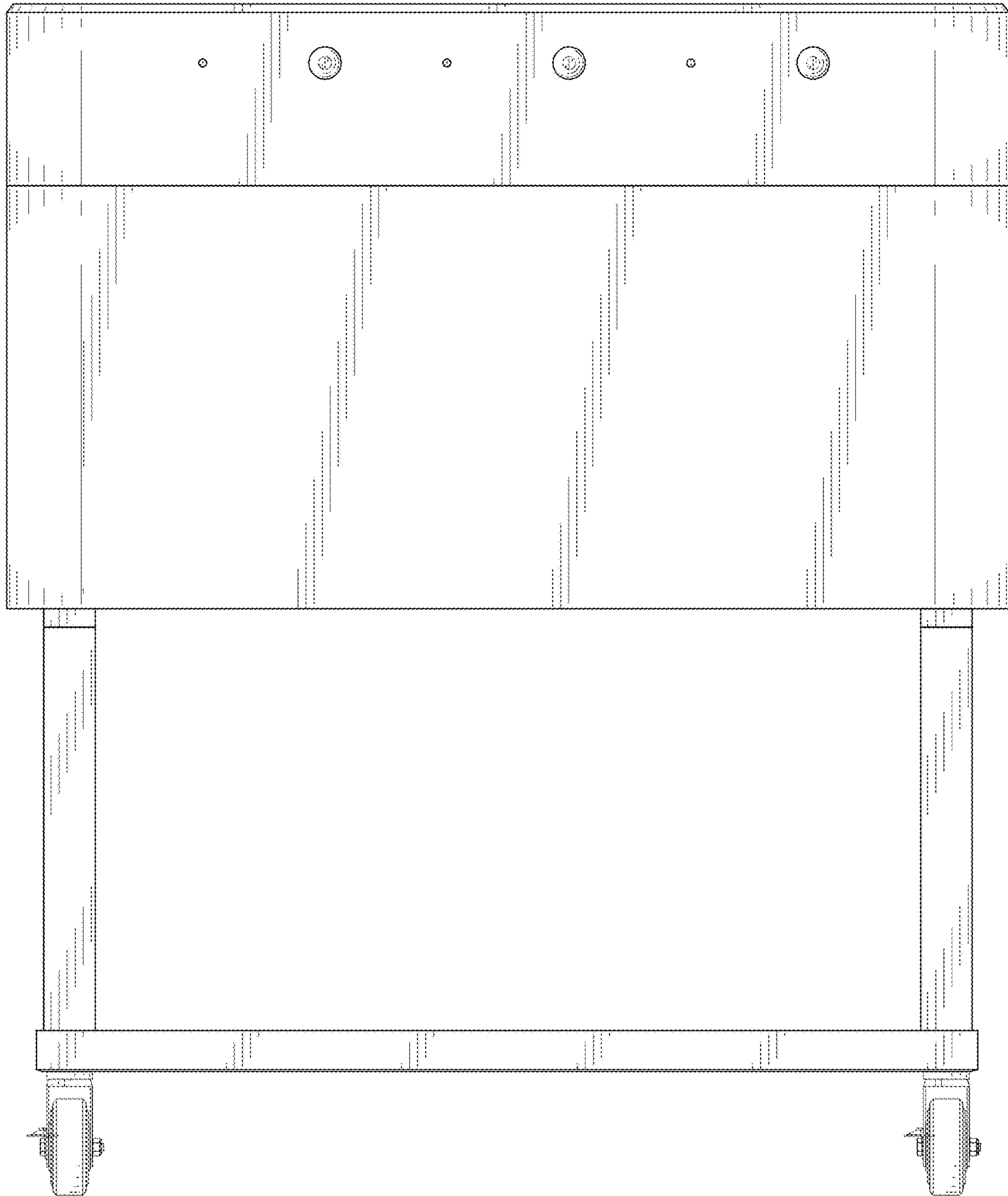


FIG. 2

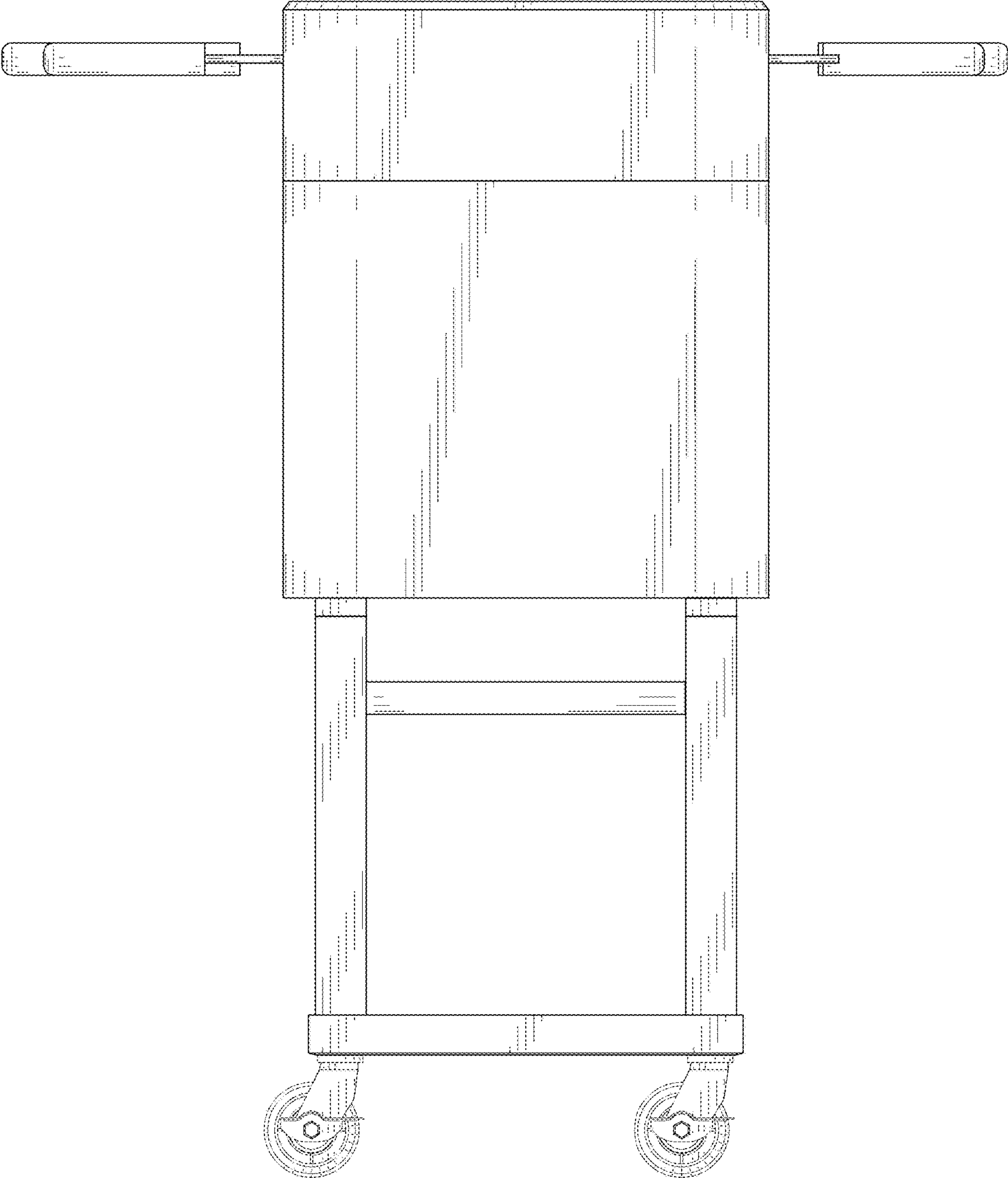


FIG. 3

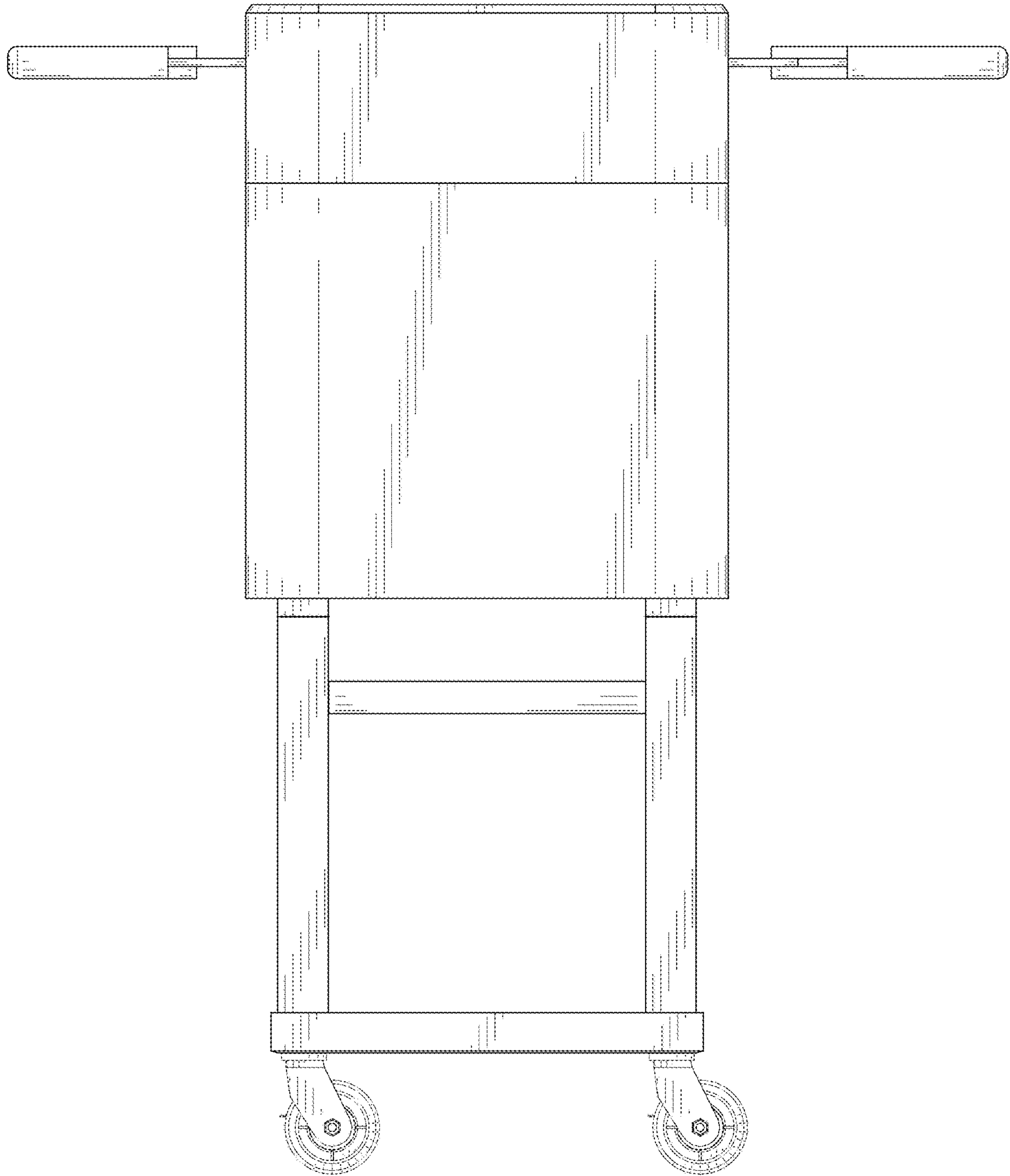


FIG. 4



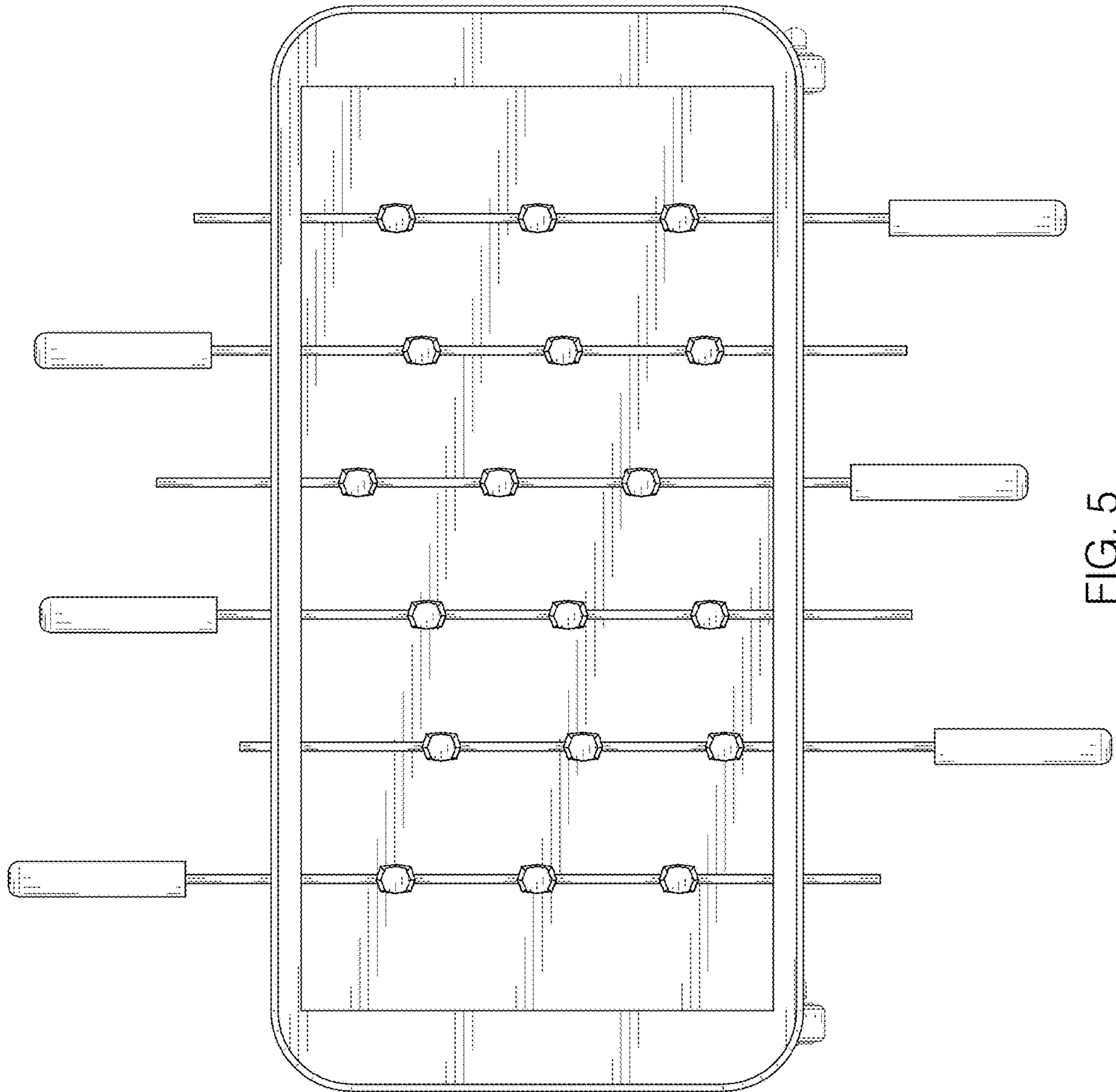


FIG. 5

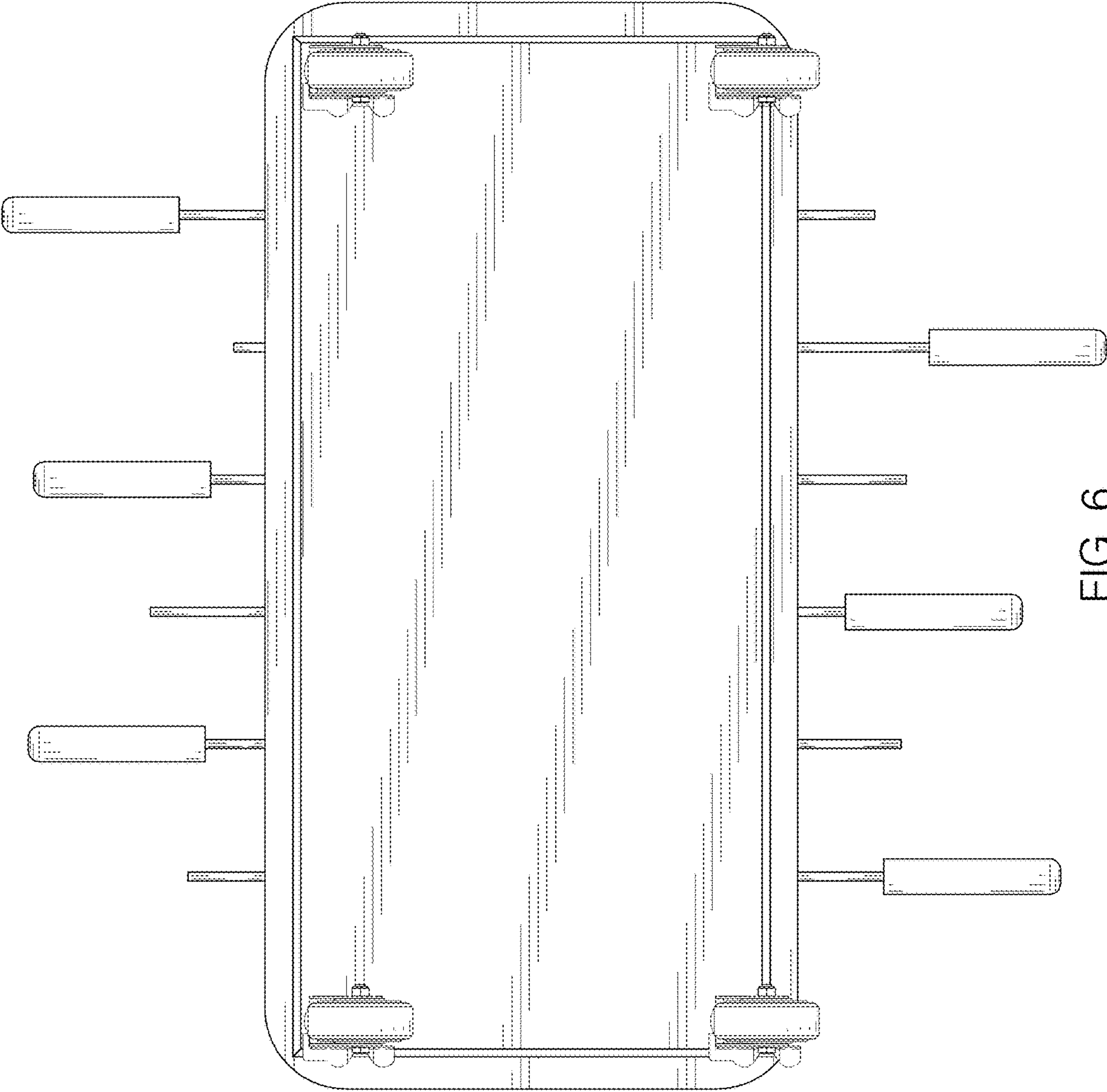


FIG. 6

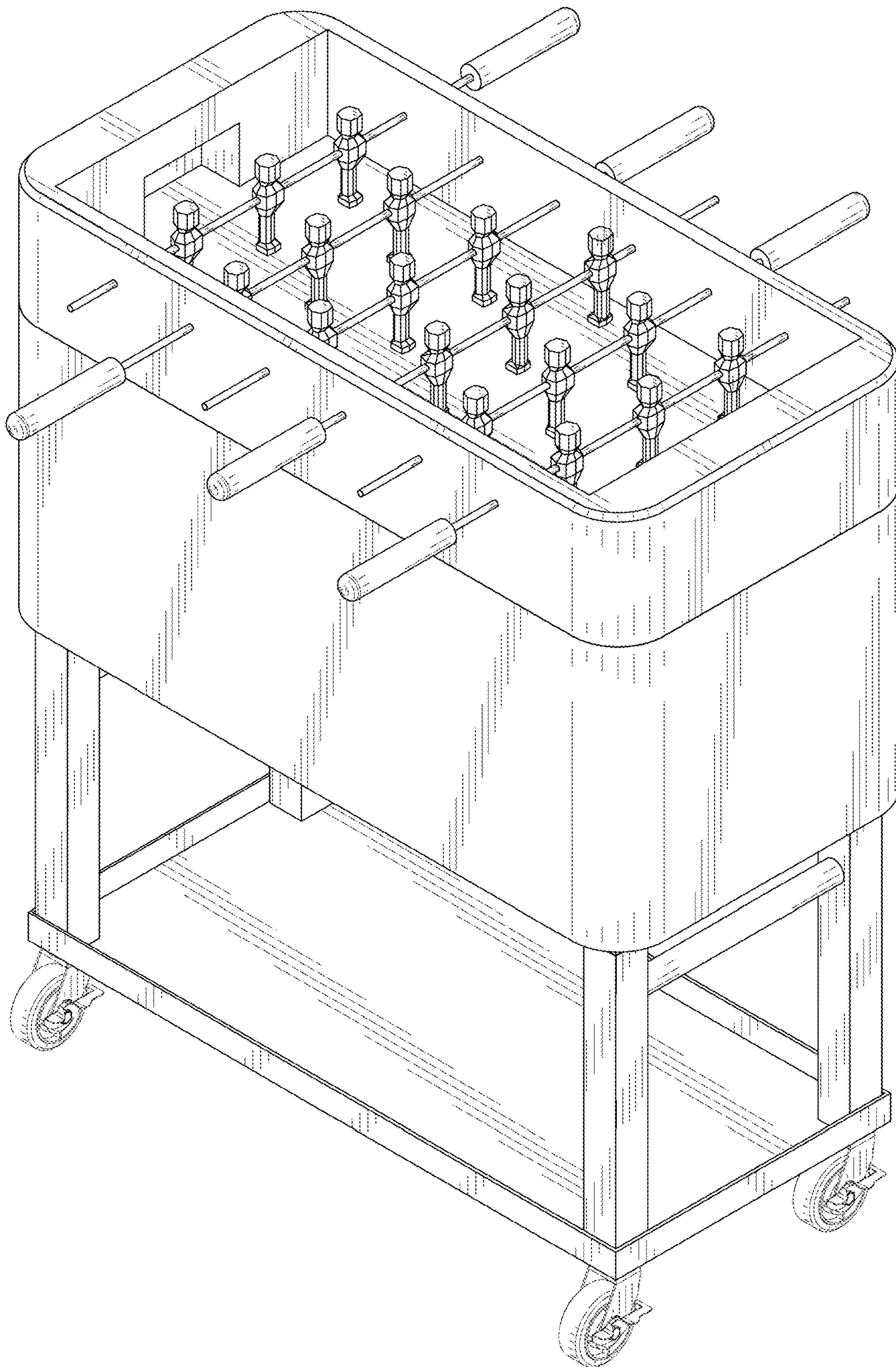


FIG. 7



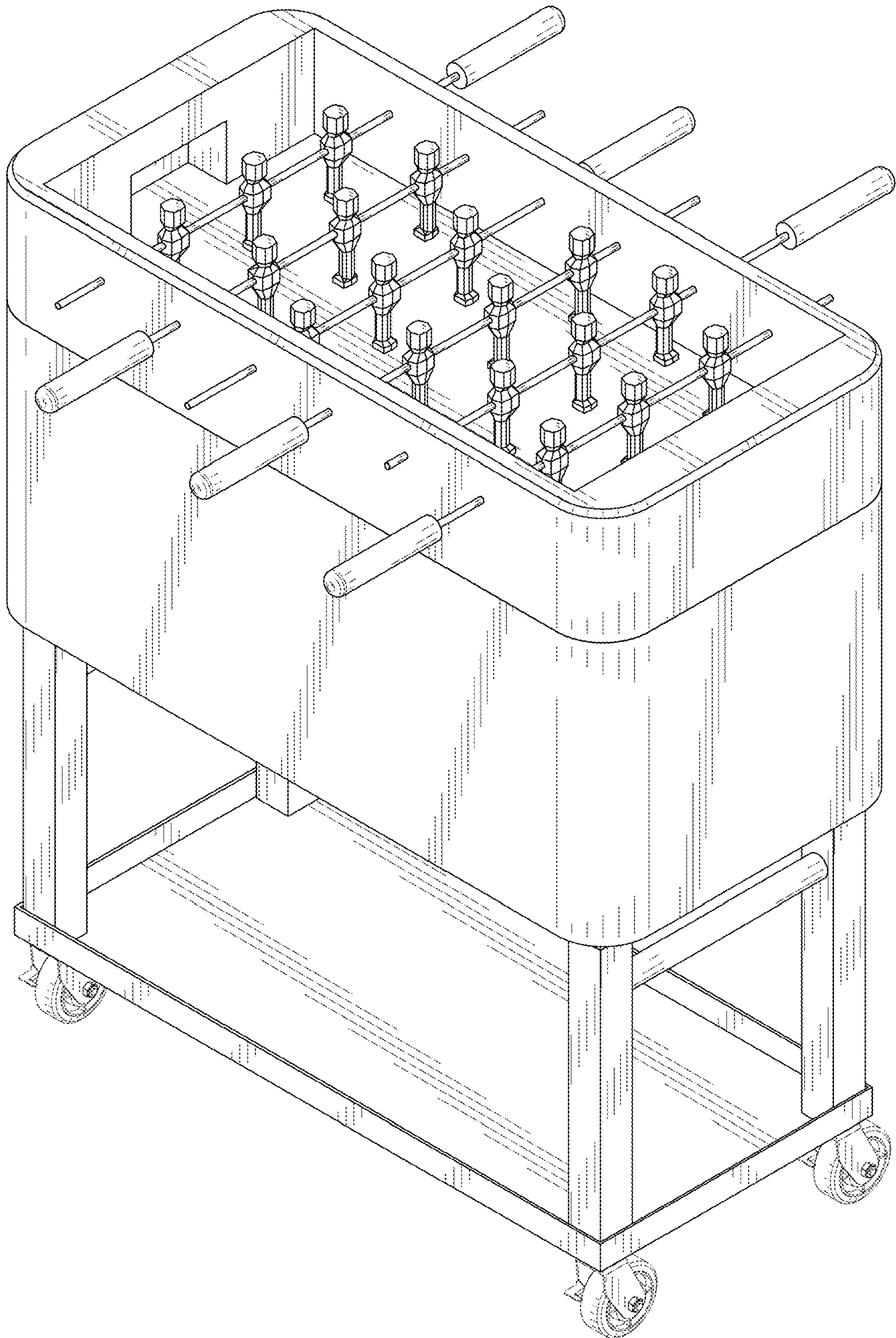


FIG. 8

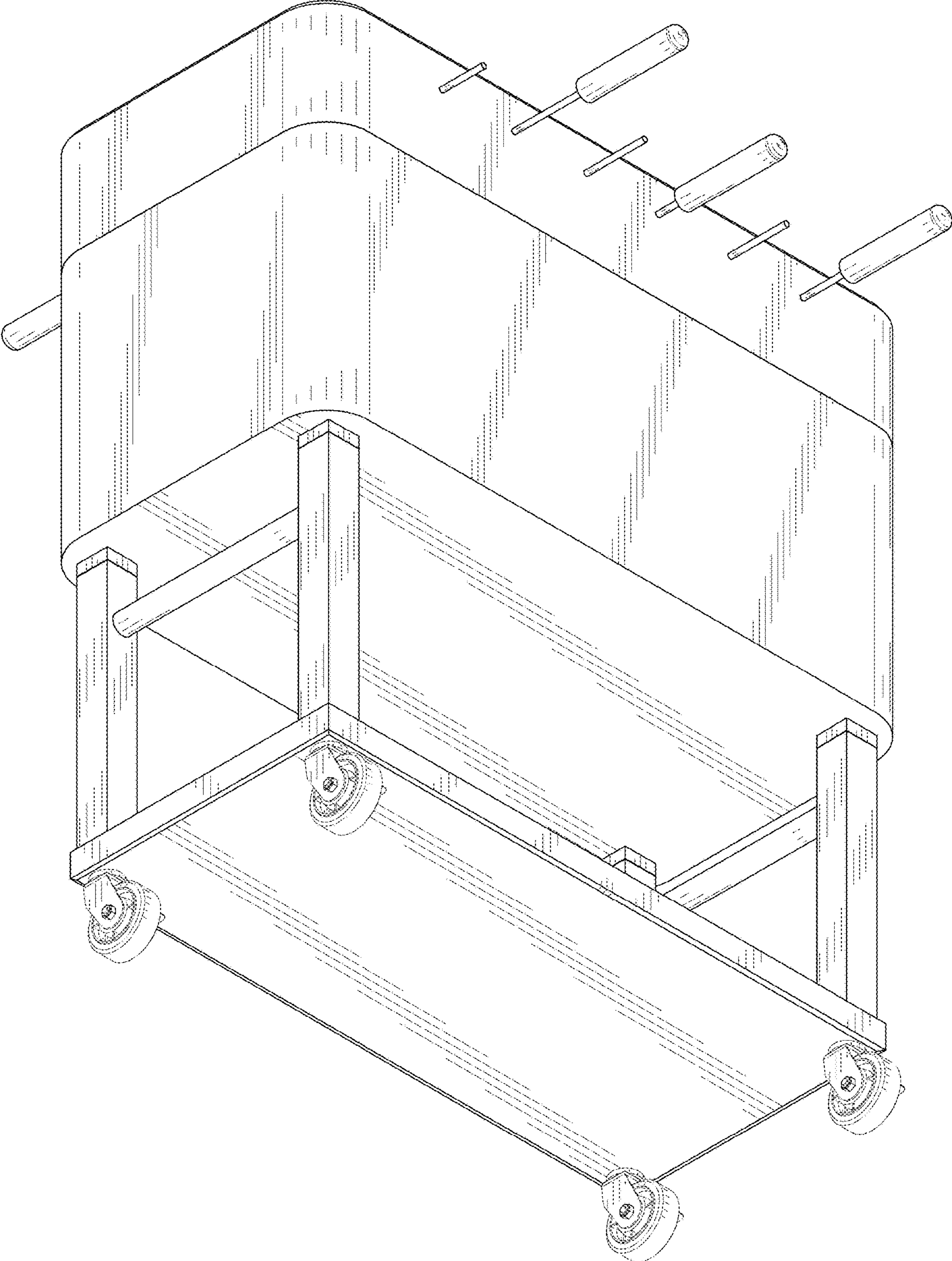


FIG. 9



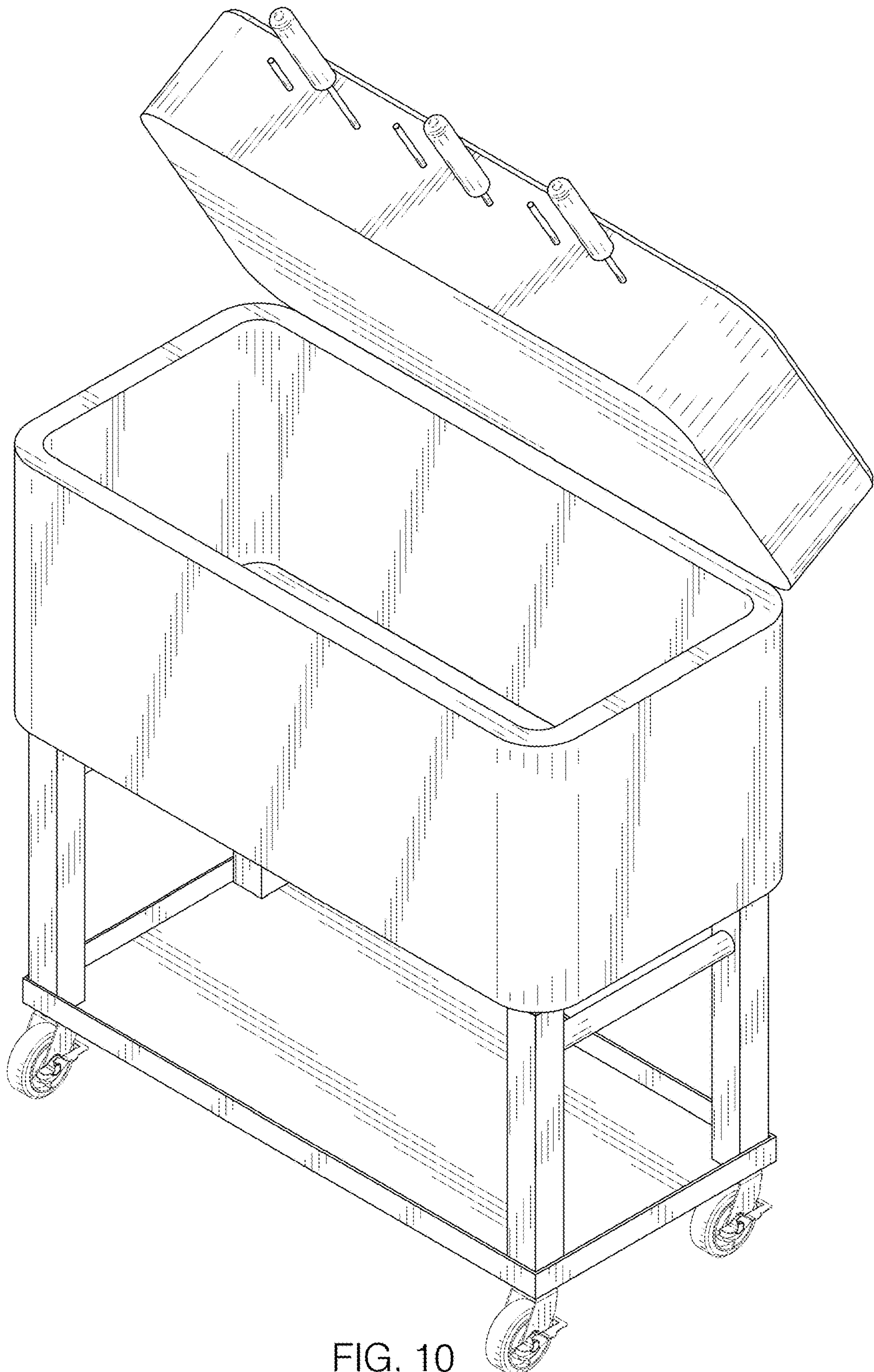


FIG. 10