



US00D912474S

(12) **United States Design Patent**
Hazelton et al.

(10) **Patent No.:** **US D912,474 S**
(45) **Date of Patent:** **** Mar. 9, 2021**

- (54) **FRUIT AND VEGETABLE HOLDER**
- (71) Applicants: **Lance Hazelton**, Maplewood, NJ (US);
Paul Lacotta, Tenafly, NJ (US)
- (72) Inventors: **Lance Hazelton**, Maplewood, NJ (US);
Paul Lacotta, Tenafly, NJ (US)

D595,839 S *	7/2009	Miazga	D24/107
D722,814 S *	2/2015	Heiberg	D7/391
D790,334 S *	6/2017	Pan	D9/423
D801,176 S *	10/2017	Lynd	D9/454
D805,836 S *	12/2017	Yessin	D7/391
D880,291 S *	4/2020	Meizlish	D9/421
2012/0024859 A1 *	2/2012	Longoni	B65D 51/1611 220/367.1

(73) Assignee: **Helen of Troy Limited**, St. Michael (BB)

* cited by examiner

(**) Term: **15 Years**

Primary Examiner — Susan E Krakower

Assistant Examiner — Andrew Kerr

(21) Appl. No.: **29/707,516**

(74) *Attorney, Agent, or Firm* — Rankin, Hill & Clark LLP

(22) Filed: **Sep. 28, 2019**

(51) **LOC (13) Cl.** **07-07**

(52) **U.S. Cl.**
USPC **D7/602**

(58) **Field of Classification Search**
USPC D7/550.1, 553.1, 553.6, 553.7, 554.1,
D7/554.2, 560, 562, 565, 566, 570, 584,
D7/585, 588, 601, 602, 629, 630;
D9/414, 424, 425, 428; D3/203.1, 203.2
CPC B65D 1/34; B65D 5/4295; B65D 5/64;
B65D 5/68; B65D 25/04; B65D 25/28
See application file for complete search history.

(57) **CLAIM**

The ornamental design for a fruit and vegetable holder, as shown, and described.

DESCRIPTION

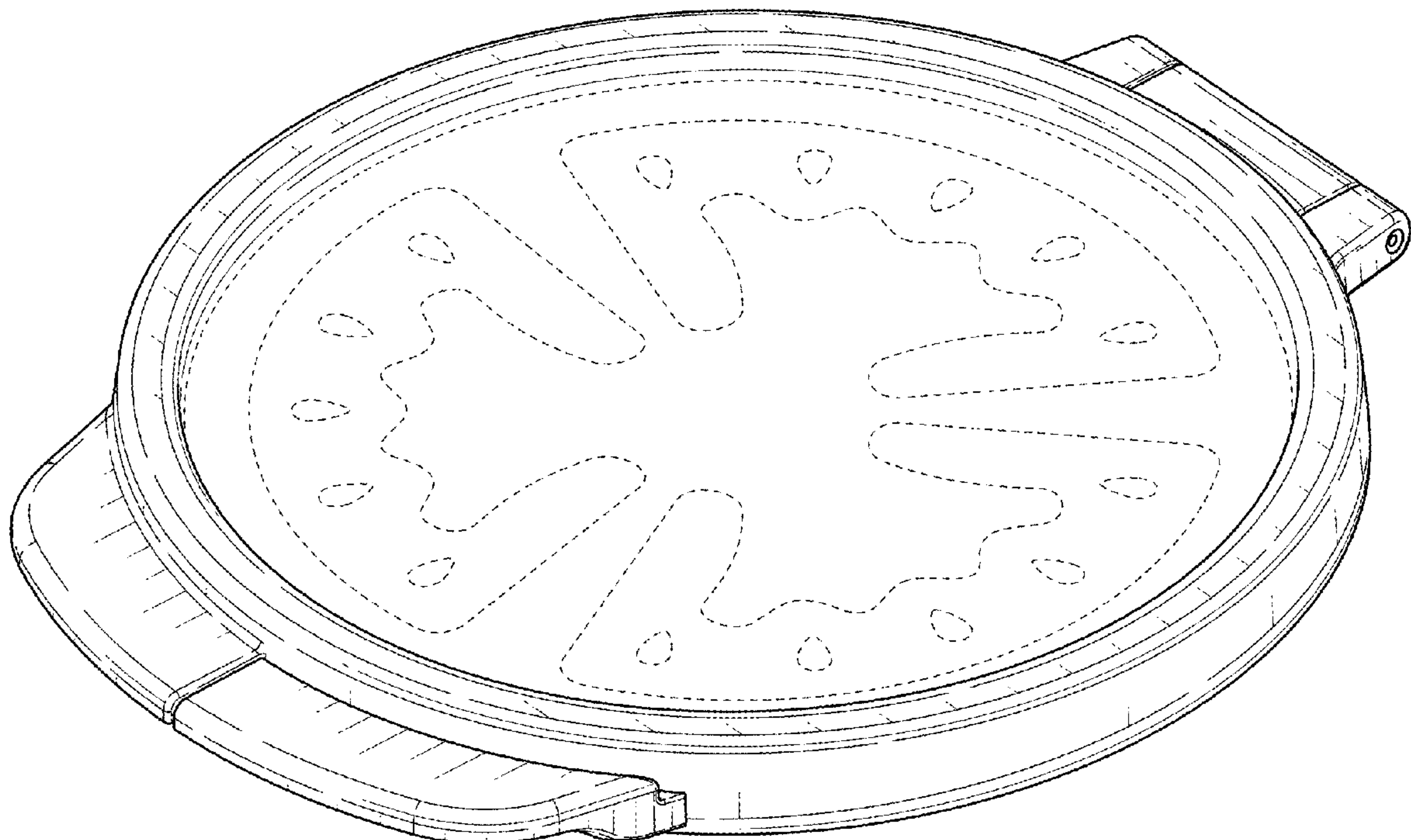
FIG. 1 is a perspective view of a fruit and vegetable holder, showing our new design;
FIG. 2 is a perspective view thereof with alternate unclaimed ornamentation;
FIG. 3 is a perspective view thereof with alternate unclaimed ornamentation;
FIG. 4 is a front elevation view thereof;
FIG. 5 is a rear elevation view thereof;
FIG. 6 is a left side elevation view thereof;
FIG. 7 is a right side elevation view thereof;
FIG. 8 is a top plan view thereof;
FIG. 9 is a bottom plan view thereof; and,
FIG. 10 is a perspective view thereof in an open position.
The broken lines in the drawings depict portions of the fruit and vegetable holder that form no part of the claimed design.

(56) **References Cited**

U.S. PATENT DOCUMENTS

D251,895 S *	5/1979	Belmuth	D9/426
D307,243 S *	4/1990	Baker	D9/426
D317,410 S *	6/1991	Ott	D9/426
D544,343 S *	6/2007	Liebe	D28/78
D582,214 S *	12/2008	Hutzler	D7/554.2

1 Claim, 8 Drawing Sheets



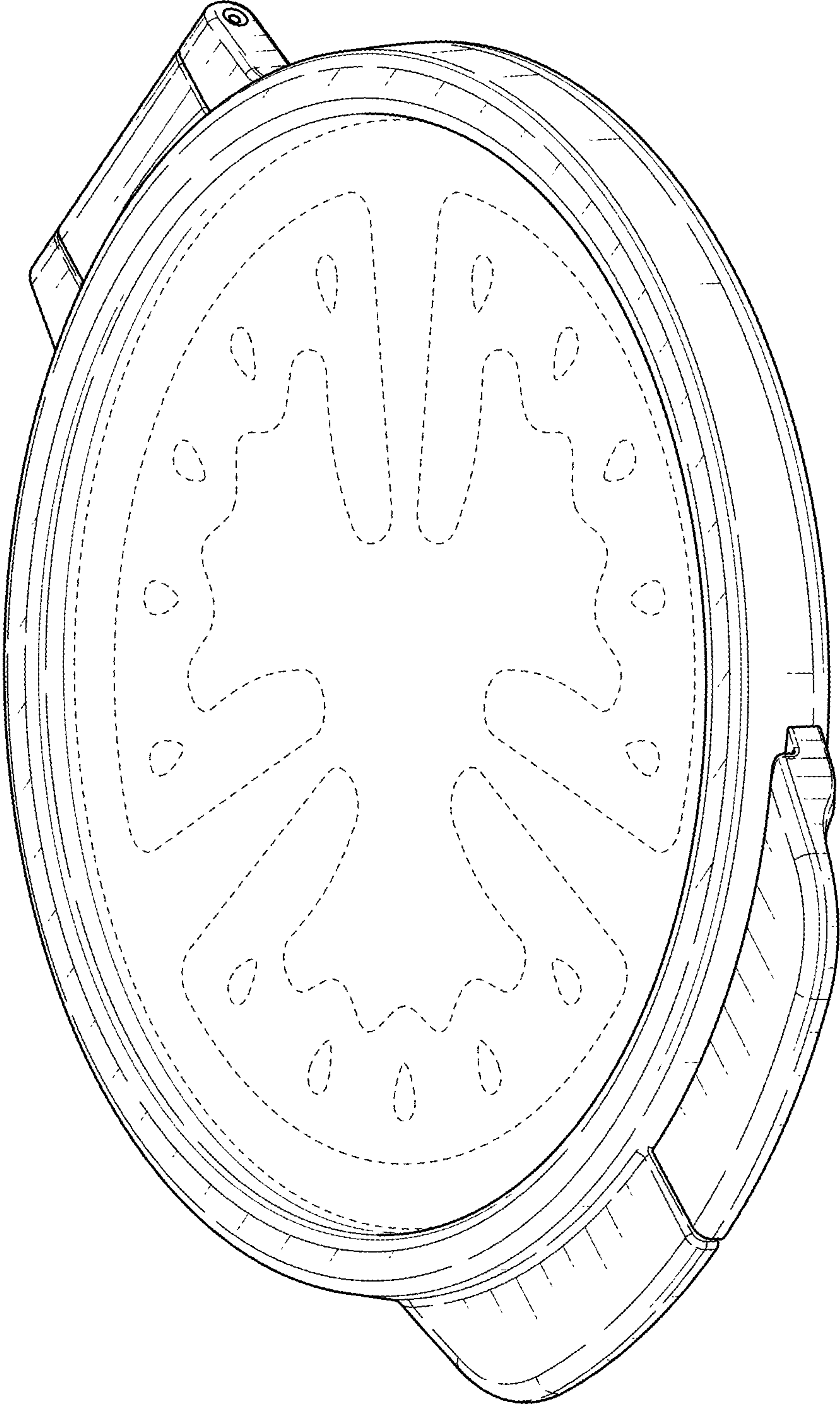


FIG. 1

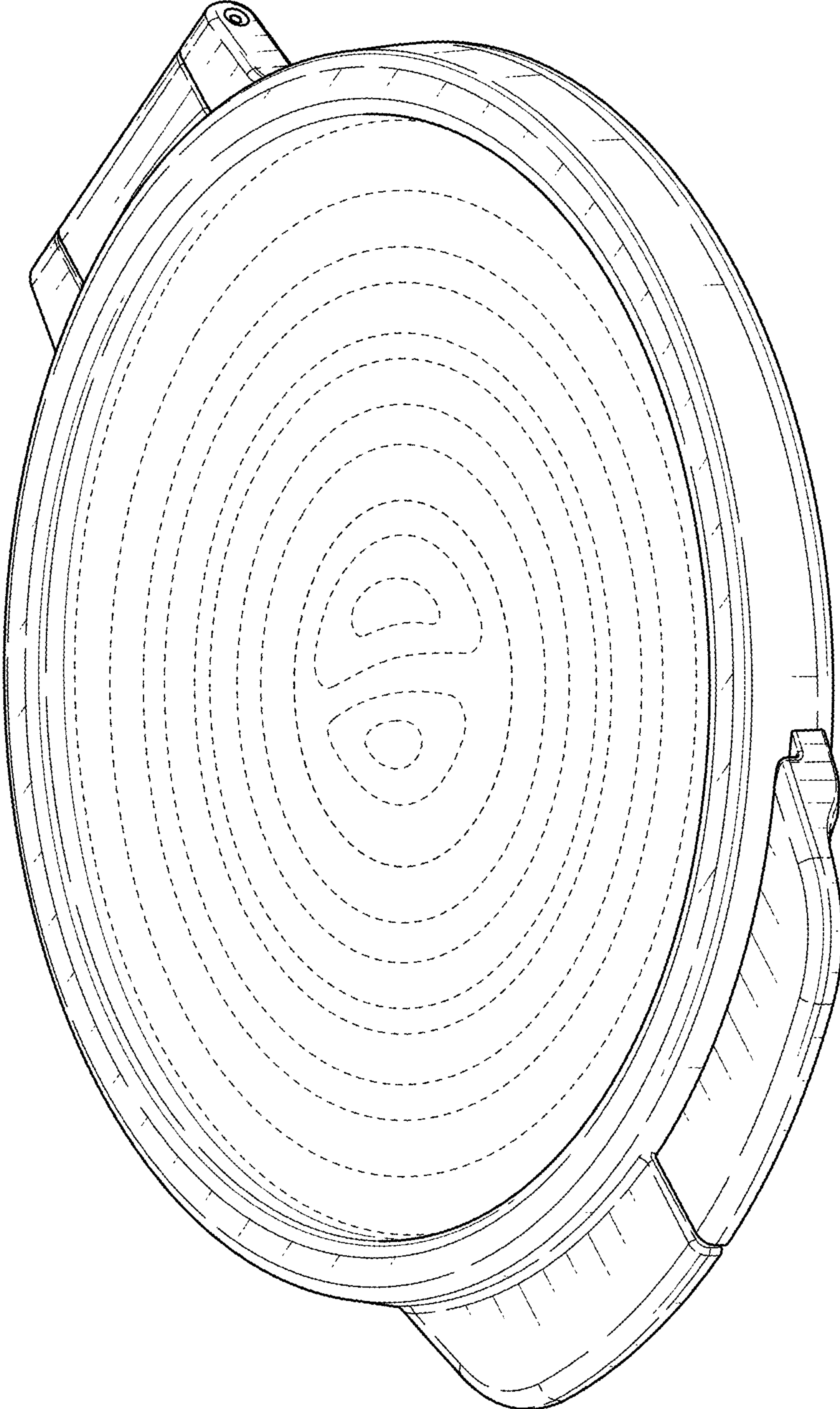


FIG. 2

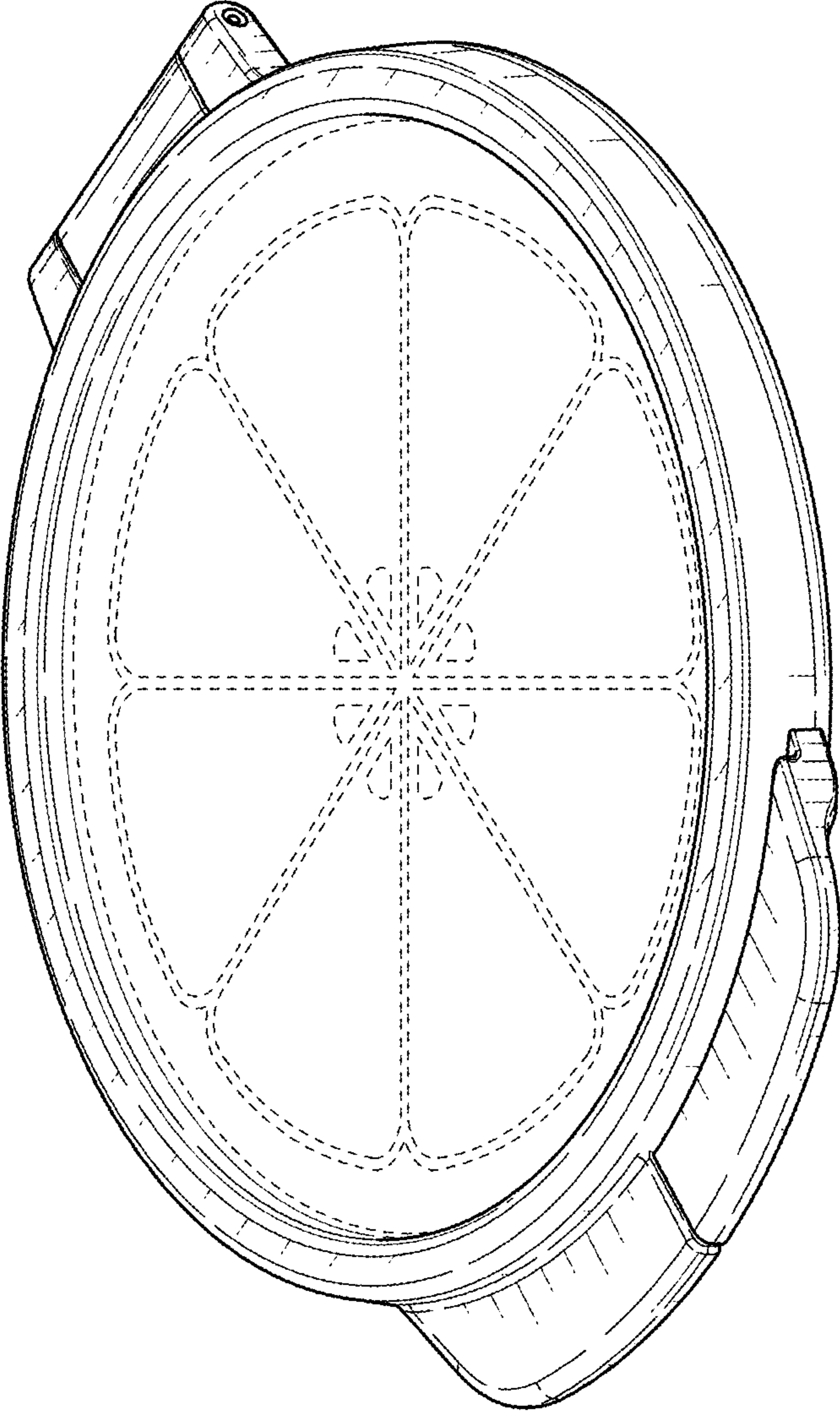


FIG. 3

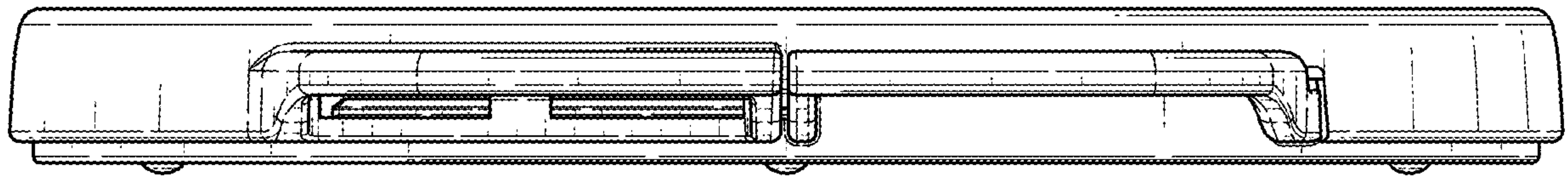


FIG. 4

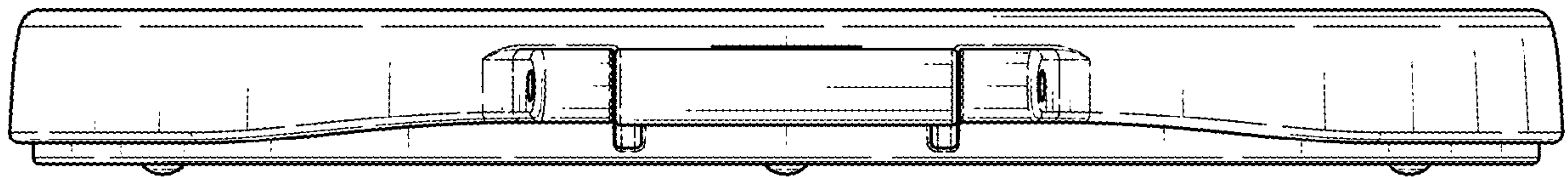


FIG. 5

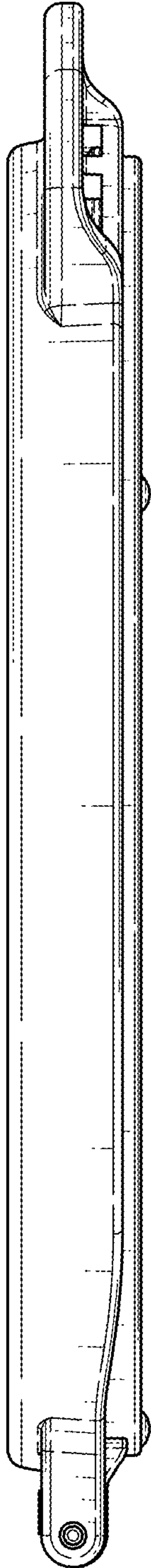


FIG. 6

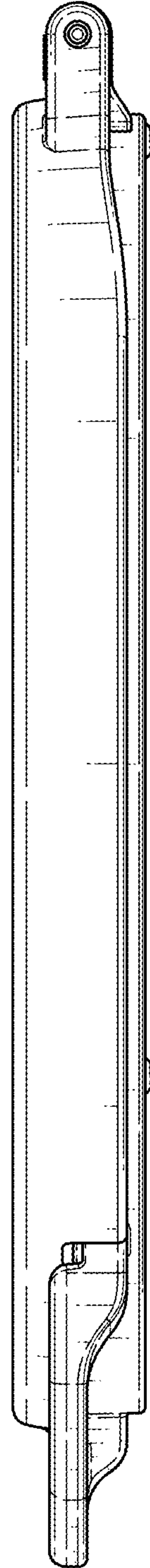


FIG. 7

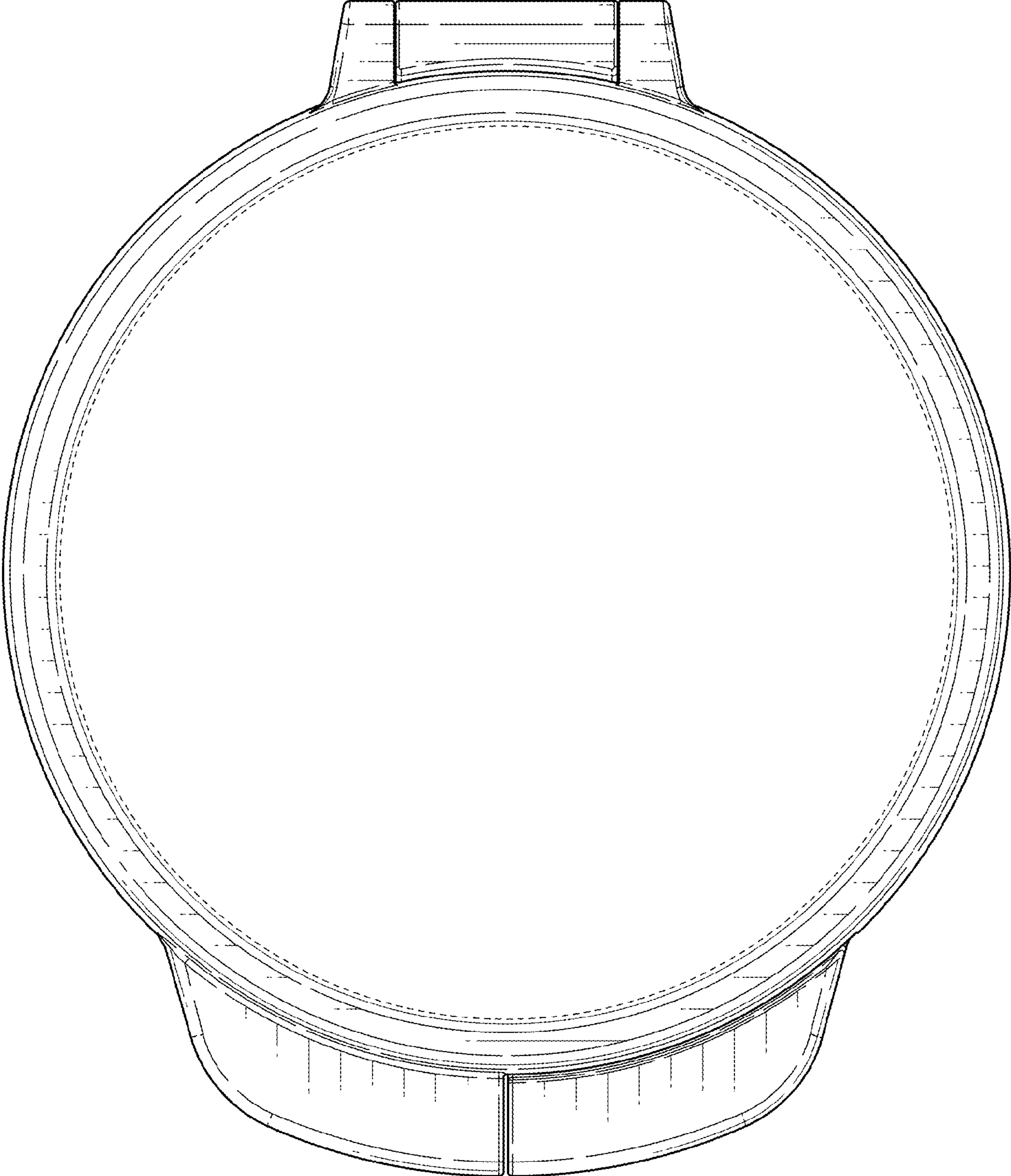


FIG. 8

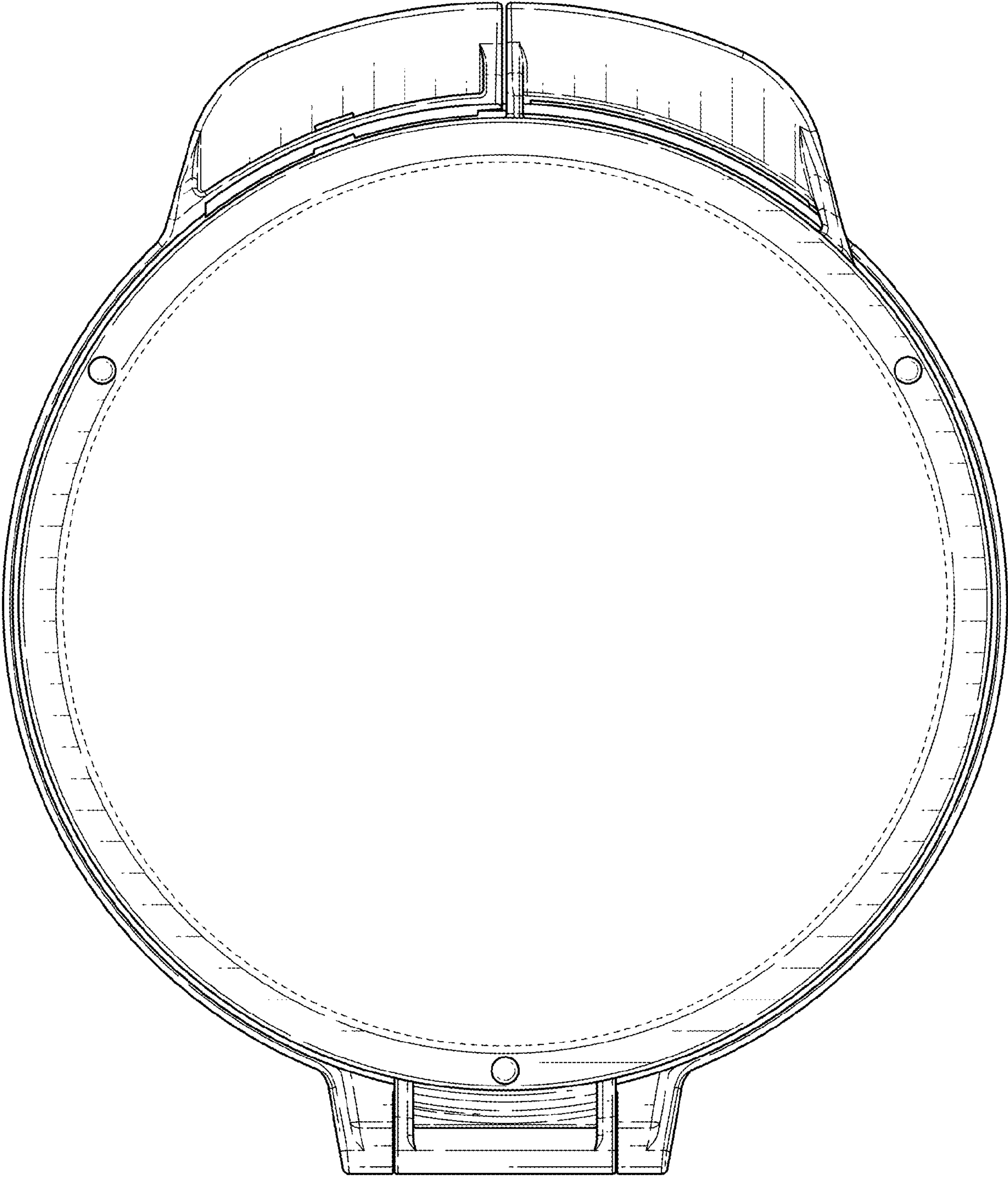


FIG. 9

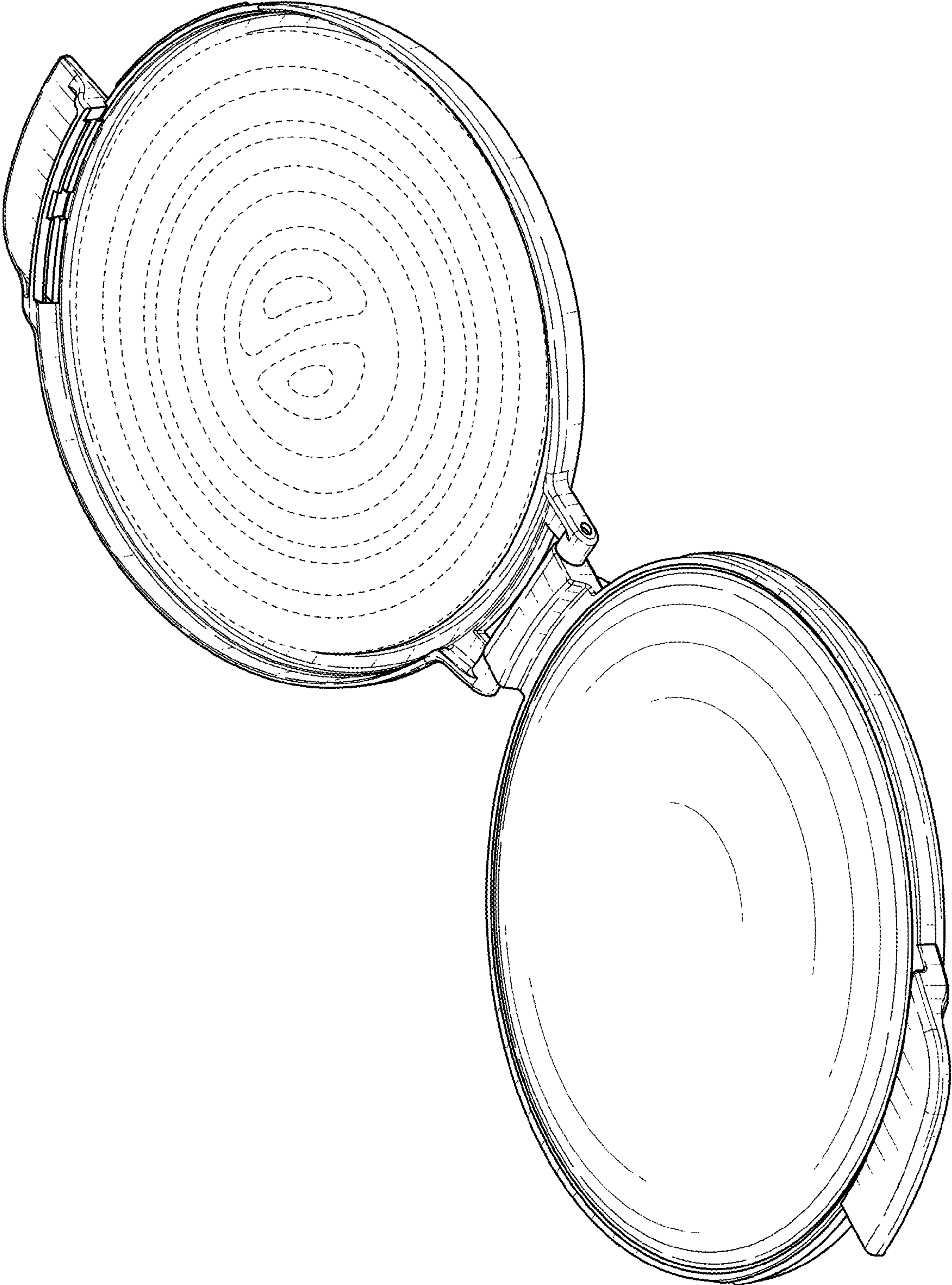


FIG. 10