



US00D912470S

(12) **United States Design Patent** (10) **Patent No.:** **US D912,470 S**
Joseph (45) **Date of Patent:** **** Mar. 9, 2021**

(54) **HANGING SPICE RACK**
(71) Applicant: **JOSEPH JOSEPH, LTD.**, London (GB)
(72) Inventor: **Antony Joseph**, London (GB)
(73) Assignee: **JOSEPH JOSEPH, LTD.**, London (GB)
(**) Term: **15 Years**
(21) Appl. No.: **29/699,108**
(22) Filed: **Jul. 23, 2019**

(30) **Foreign Application Priority Data**
Jan. 23, 2019 (EM) 006082186-0004
(51) **LOC (13) Cl.** **07-99**
(52) **U.S. Cl.**
USPC **D7/600.1**
(58) **Field of Classification Search**
USPC D7/590, 600.1, 600.3, 601, 602, 701;
D6/552, 553, 559, 567
CPC A47B 43/00; A47B 45/00; A47B 46/00;
A47B 51/00; A47B 55/00; A47J 47/00;
A47J 47/16
See application file for complete search history.

(56) **References Cited**
U.S. PATENT DOCUMENTS
D272,325 S * 1/1984 Sze D10/128
D291,755 S * 9/1987 Chap D6/566
D323,766 S * 2/1992 Robbins D6/553
5,244,272 A * 9/1993 Thompson A47B 88/48
211/74
D404,618 S * 1/1999 Roy D7/600.2
5,957,558 A * 9/1999 Quade A47B 88/48
312/246
D414,992 S * 10/1999 Schmidt D7/600.2

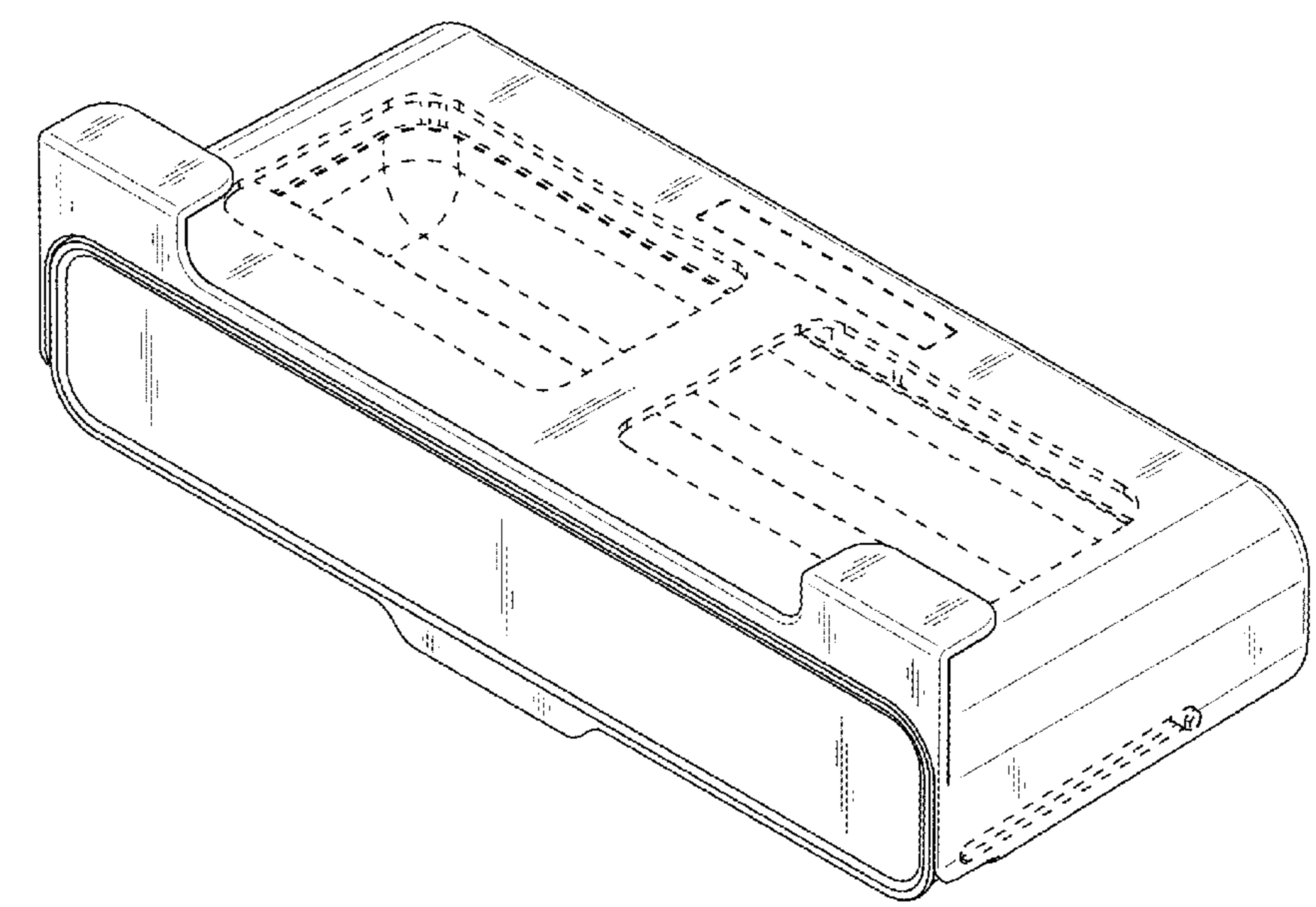
D501,337 S * 2/2005 Berger D6/569
D747,152 S * 1/2016 Smith D7/600.1
D878,095 S * 3/2020 Dunahay D6/553
2010/0007253 A1* 1/2010 Ryerson A47B 88/60
312/247
2013/0025510 A1* 1/2013 White E05B 37/20
109/51
2014/0091685 A1* 4/2014 Greenwood A47B 73/00
312/72

* cited by examiner
Primary Examiner — Susan E Krakower
Assistant Examiner — Andrew Kerr
(74) *Attorney, Agent, or Firm* — Millen, White, Zelano & Branigan, PC; Ryan Pool

(57) **CLAIM**
The ornamental design for a hanging spice rack, as shown and described.

DESCRIPTION
FIG. 1 is a perspective view of a hanging spice rack showing my new design.
FIG. 2 is a front view thereof.
FIG. 3 is a back view thereof.
FIG. 4 is a top view thereof.
FIG. 5 is a bottom view thereof.
FIG. 6 is a side view thereof.
FIG. 7 is another side view thereof.
FIG. 8 is a perspective view thereof showing the hanging spice rack in an extended configuration; and,
FIG. 9 is a perspective view thereof showing the hanging spice rack in a display configuration.
The broken lines in the drawings illustrate portions of the hanging spice rack which form no part of the claimed design.

1 Claim, 9 Drawing Sheets



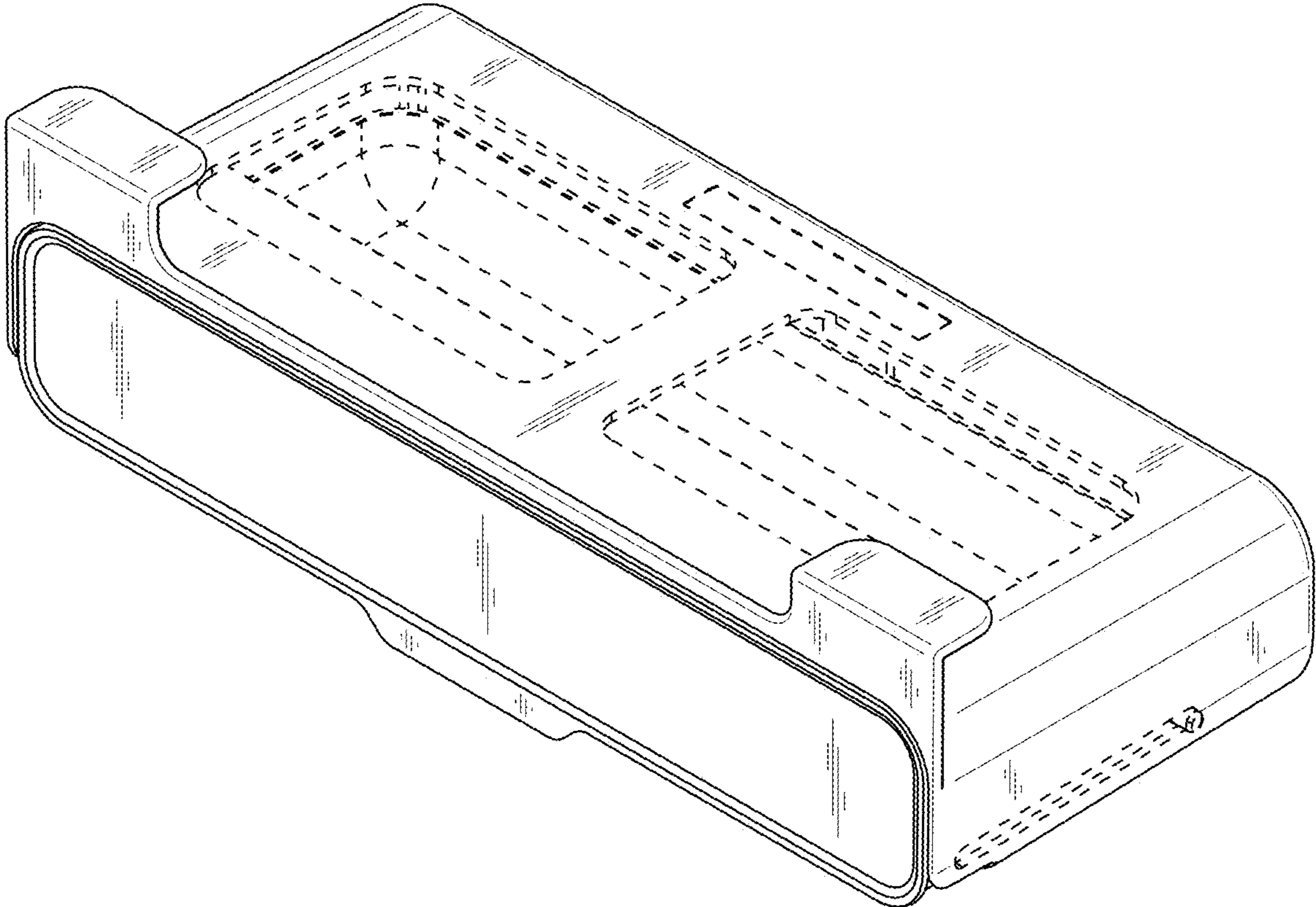


FIG. 1

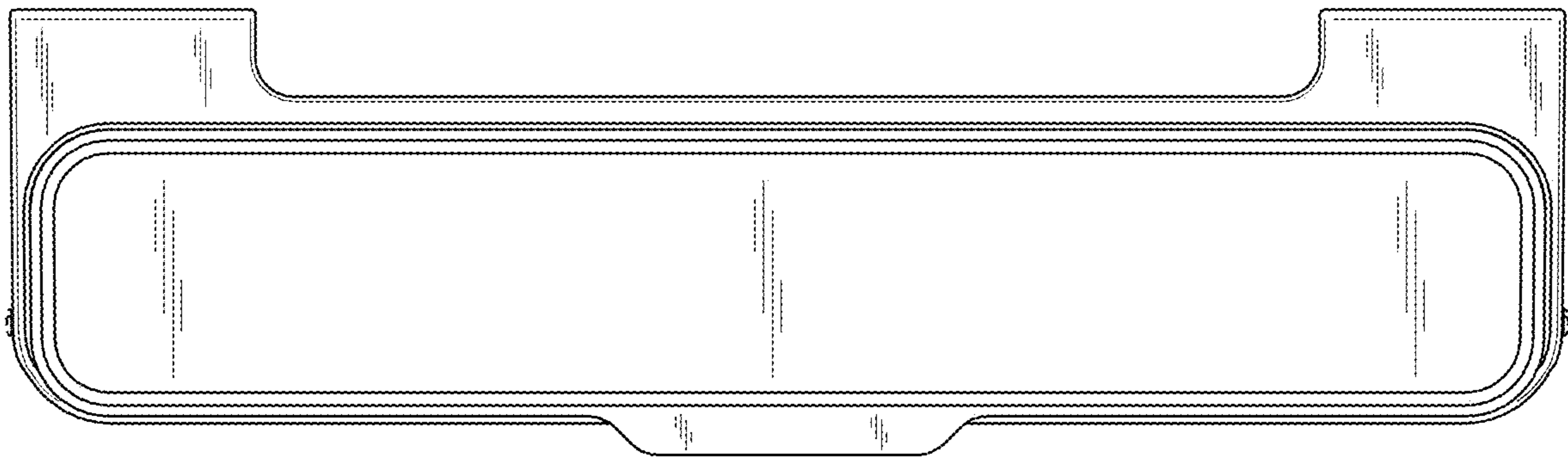


FIG. 2

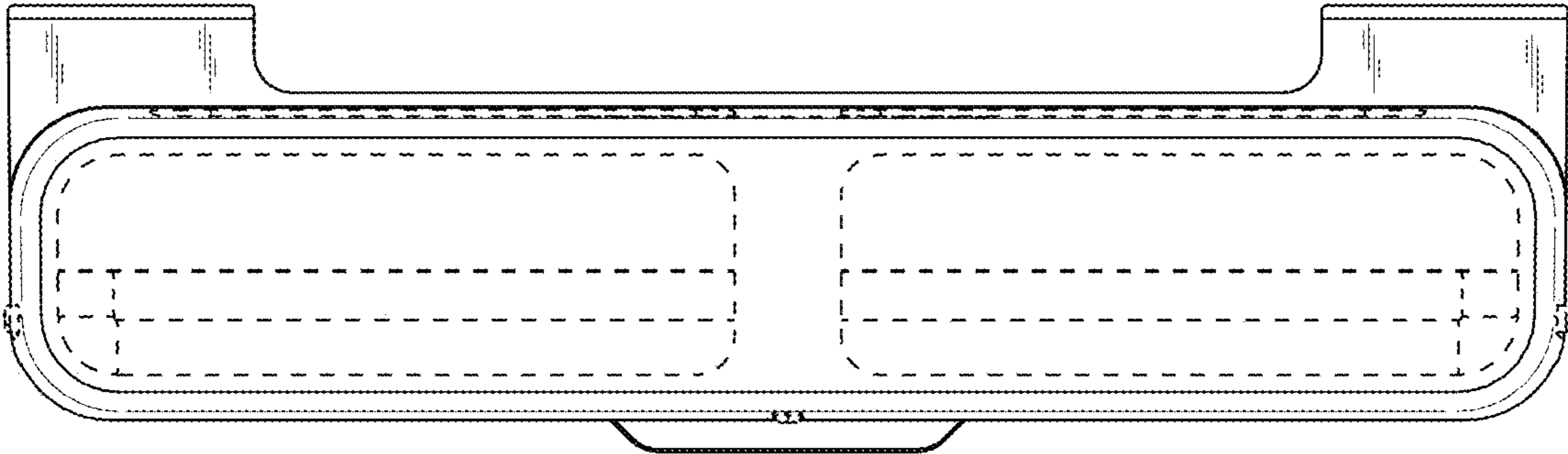


FIG. 3

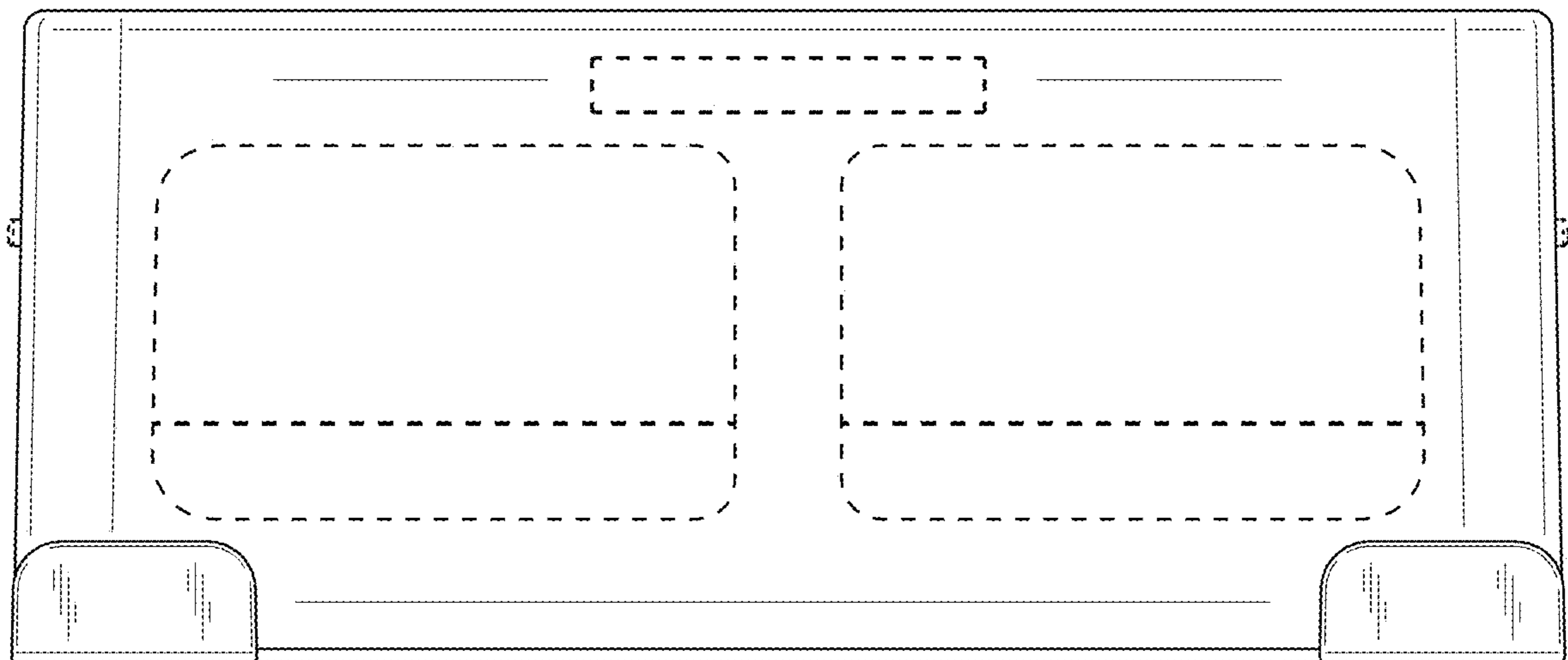


FIG. 4

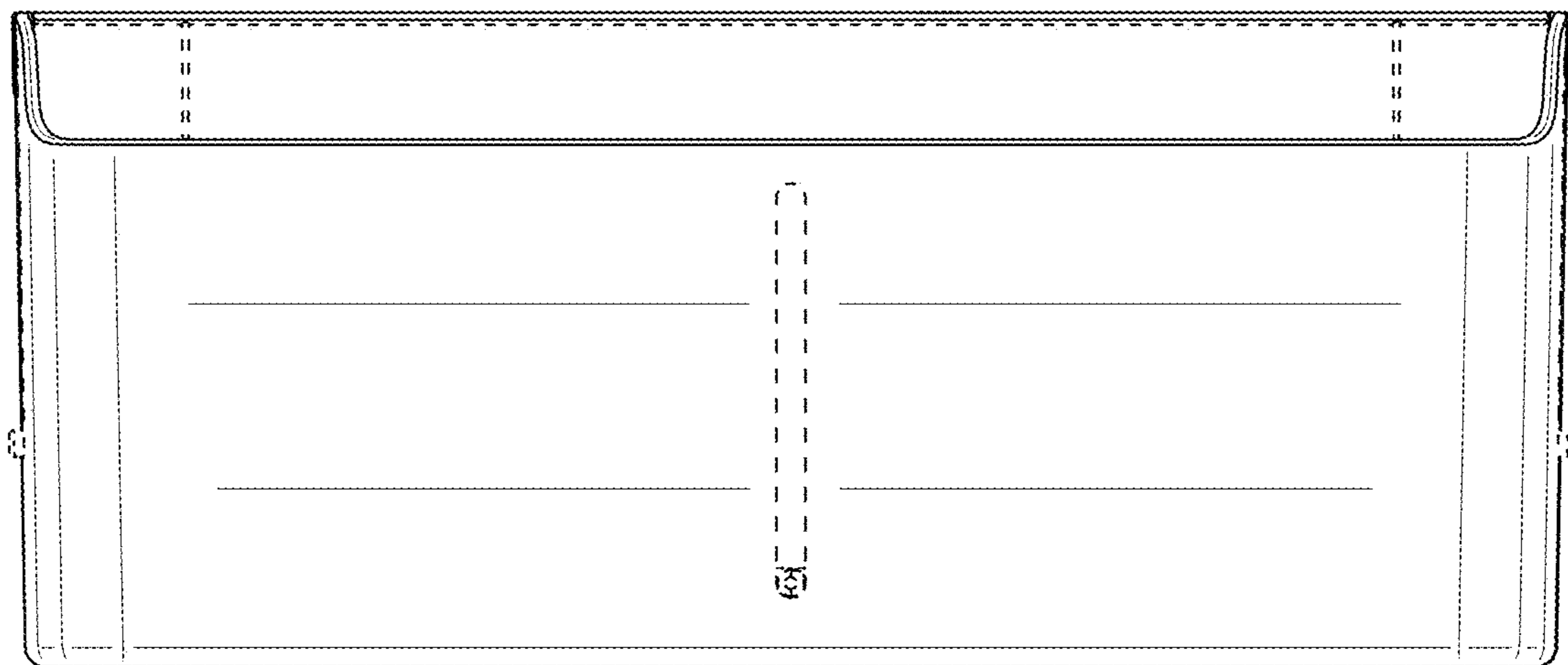


FIG. 5

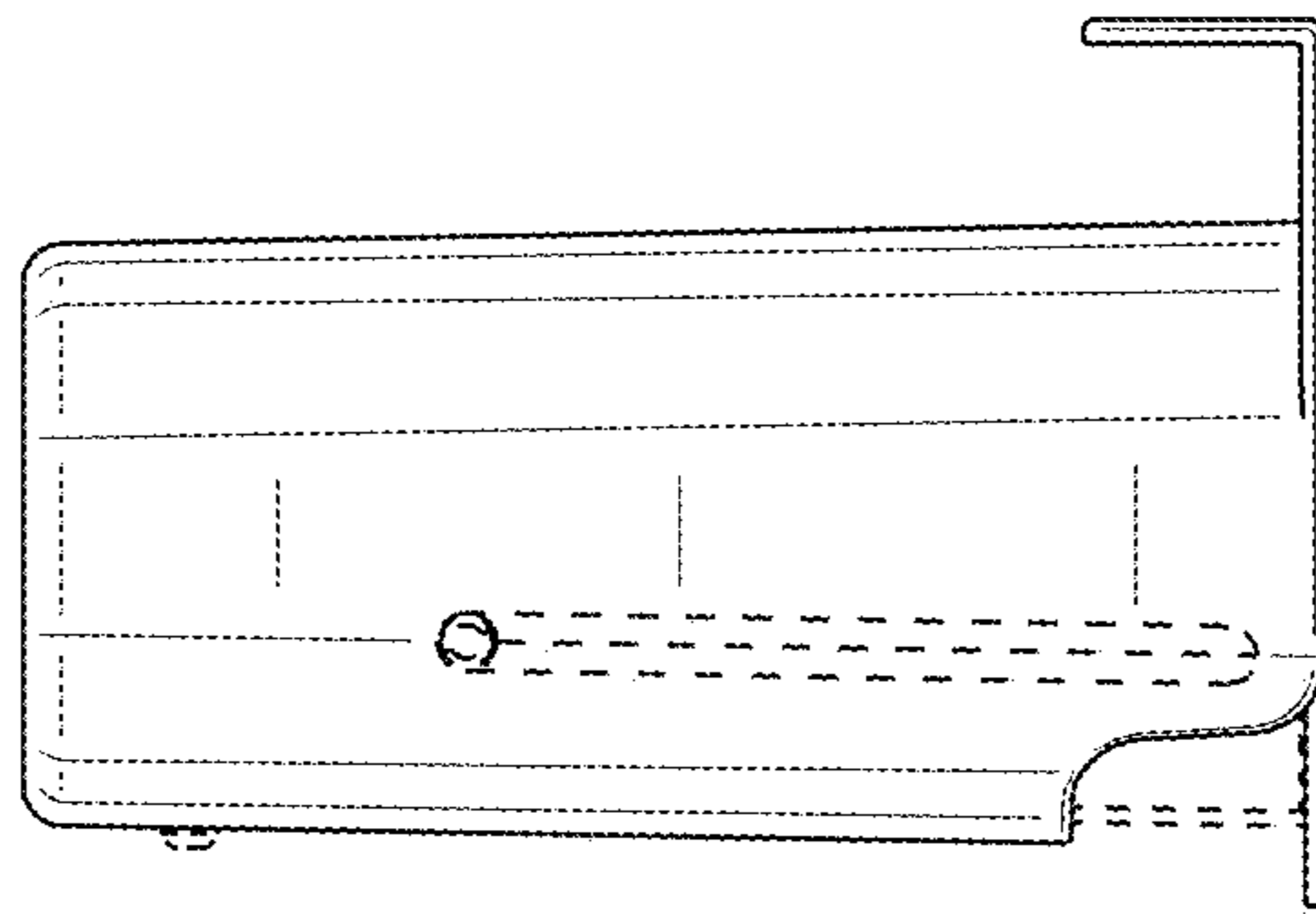


FIG. 6

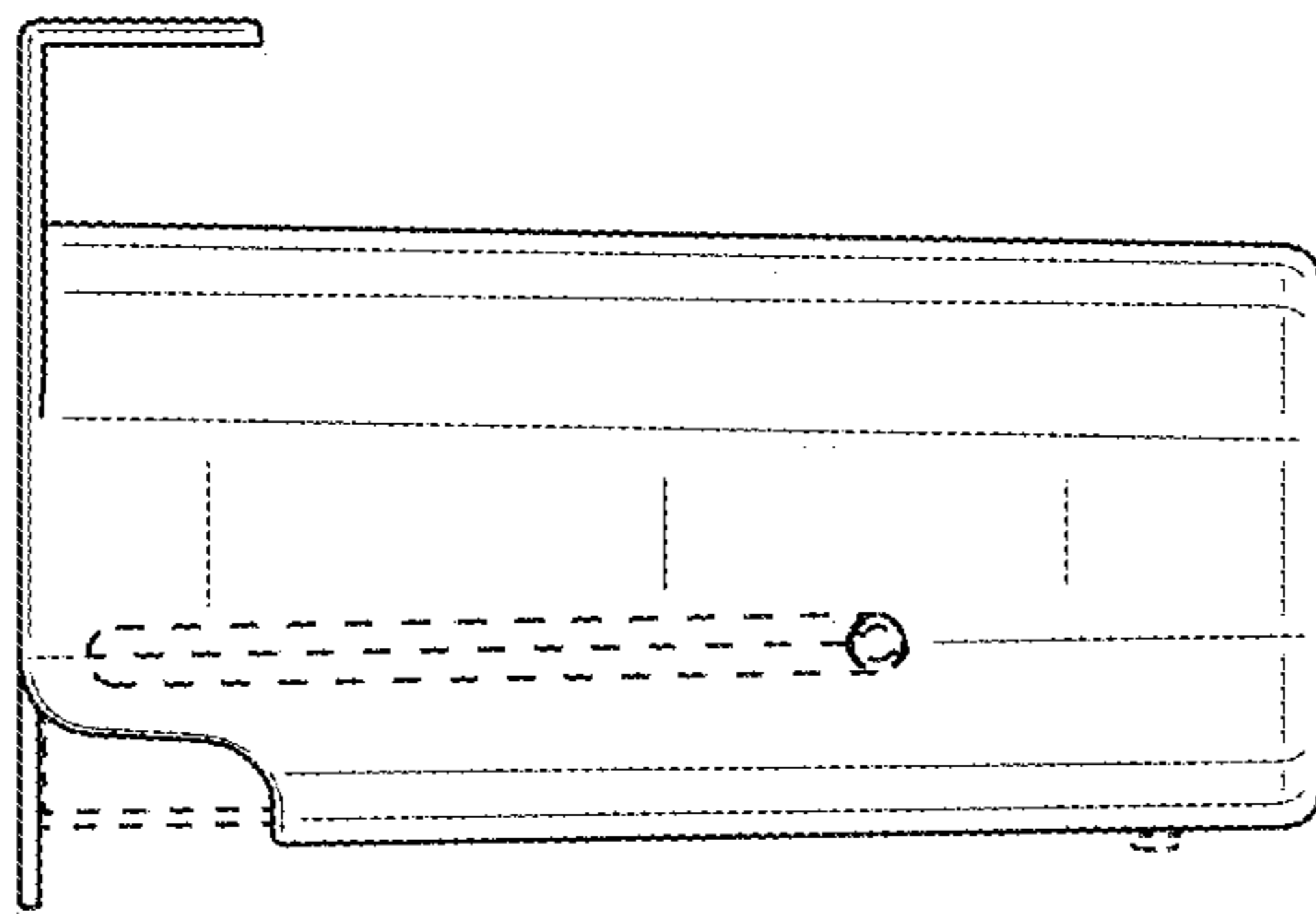


FIG. 7

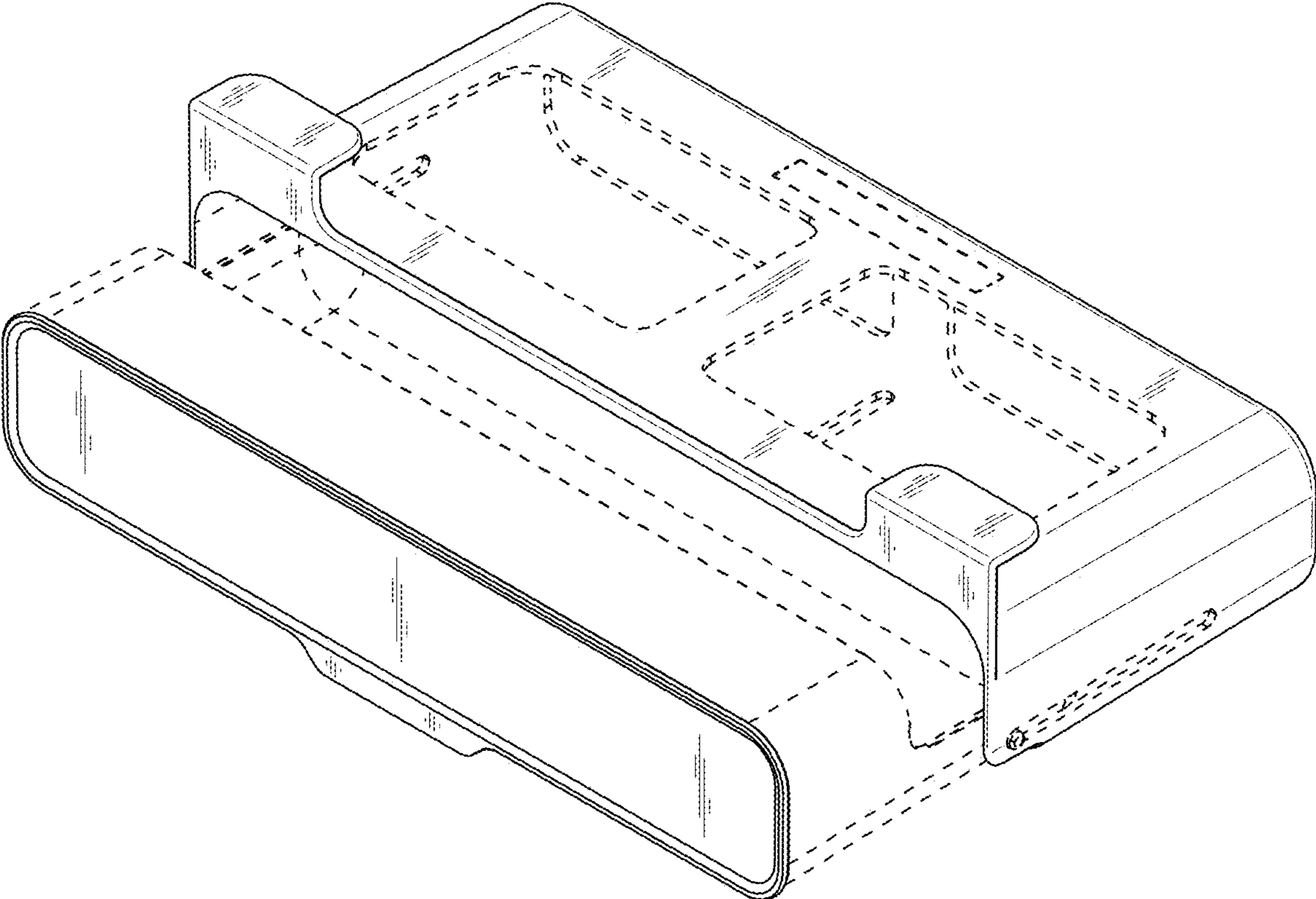


FIG. 8

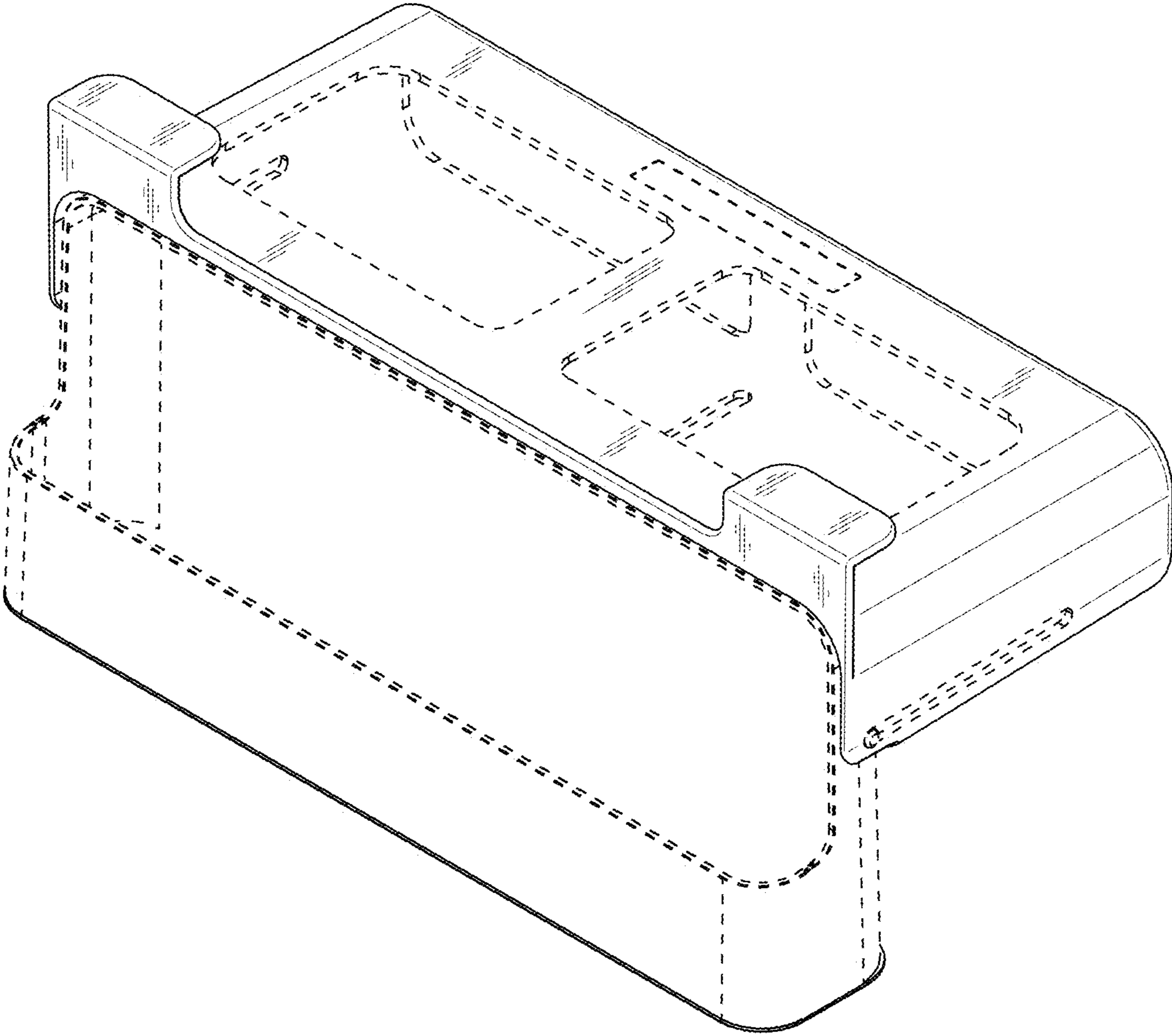


FIG. 9