



US00D912469S

(12) **United States Design Patent**
Paolini

(10) **Patent No.:** **US D912,469 S**
(45) **Date of Patent:** **** Mar. 9, 2021**

(54) **APPLIANCE FOR DOSING FOODSTUFFS**

(71) Applicant: **Pan Group S.r.l.**, Bagno a Ripoli (IT)

(72) Inventor: **Cristiano Paolini**, Firenze (IT)

(**) Term: **15 Years**

(21) Appl. No.: **35/508,270**

(22) Filed: **Jun. 21, 2019**

(80) **Hague Agreement Data**

Int. Filing Date: **Jun. 21, 2019**

Int. Reg. No.: **DM/204062**

Int. Reg. Date: **Jun. 21, 2019**

Int. Reg. Pub. Date: **Dec. 27, 2019**

(51) **LOC (13) Cl.** **07-07**

(52) **U.S. Cl.**
USPC **D7/589**

(58) **Field of Classification Search**

USPC D7/300, 306, 311, 312, 313, 589, 590,
D7/368, 376, 378; D9/723, 728, 733

CPC B67D 3/00; B67D 3/0019; B67D 3/0035;
B67D 3/0045

See application file for complete search history.

(56) **References Cited**

U.S. PATENT DOCUMENTS

D230,121 S * 1/1974 Downey D7/589

D231,305 S * 4/1974 Downey D7/589

D309,071 S *	7/1990	Haythornthwaite	D7/600
D467,465 S *	12/2002	Apelboim	D7/589
D499,611 S *	12/2004	Tse	D7/589
D507,460 S *	7/2005	Omdoll	D23/239
D779,889 S *	2/2017	Muller	D7/589
D779,890 S *	2/2017	Muller	D7/589
9,932,218 B2 *	4/2018	Melville, Jr.	B67D 1/0078
D851,438 S *	6/2019	Rider	D7/306
D891,847 S *	8/2020	Seidl	B67D 1/0078
				D7/309
D893,933 S *	8/2020	You	D7/310

* cited by examiner

Primary Examiner — Robert M. Spear

(57) **CLAIM**

The ornamental design for an appliance for dosing foodstuffs, as shown and described.

DESCRIPTION

1. Appliance for dosing foodstuffs

1.1 : Front

1.2 : Back

1.3 : Right

1.4 : Left

1.5 : Top

1.6 : Bottom

1.7 : Perspective

1.8 : Perspective

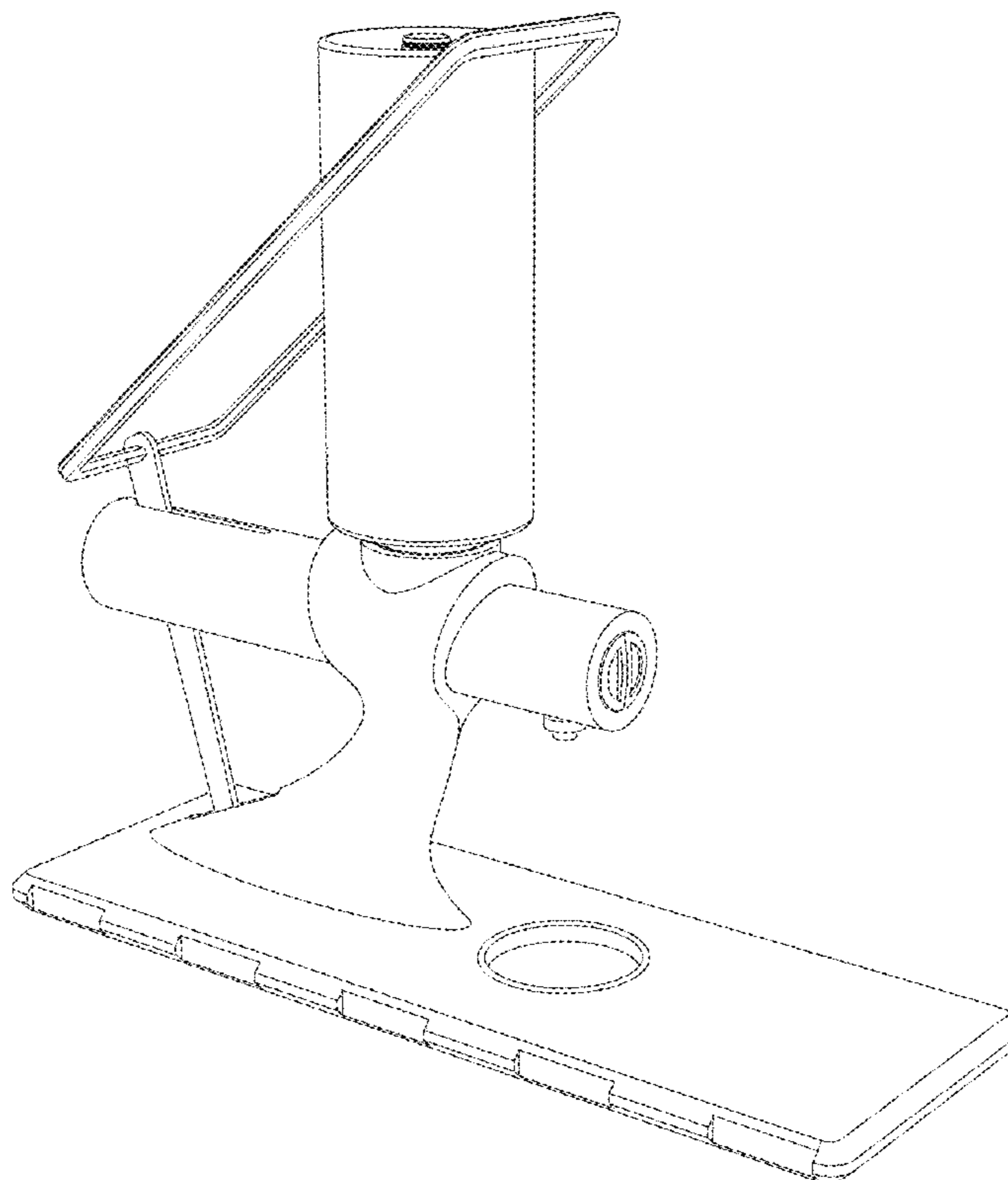
1.9 : Perspective

1.1 Front; 1.2 Back; 1.3 Right; 1.4 Left; 1.5 Top; 1.6 Bottom;

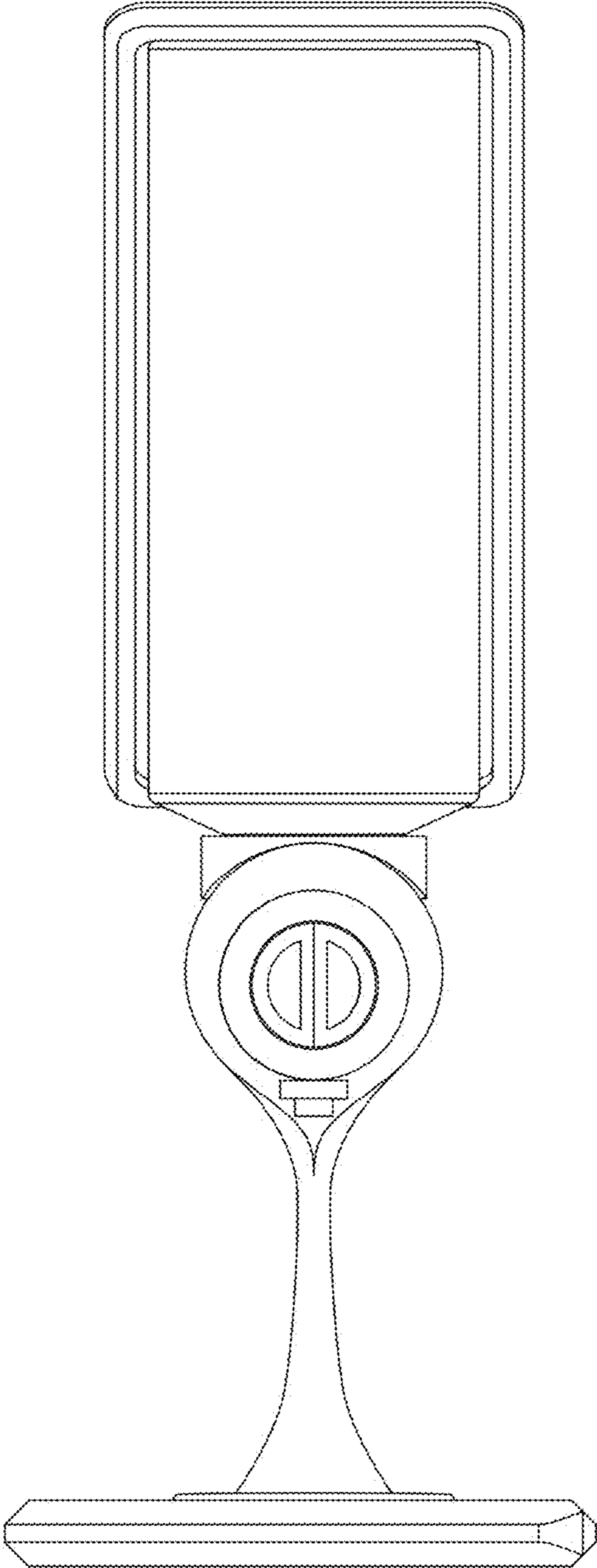
1.7 Perspective (front, top, left); 1.8 Perspective (back, top,

left); 1.9 Perspective (back, top).

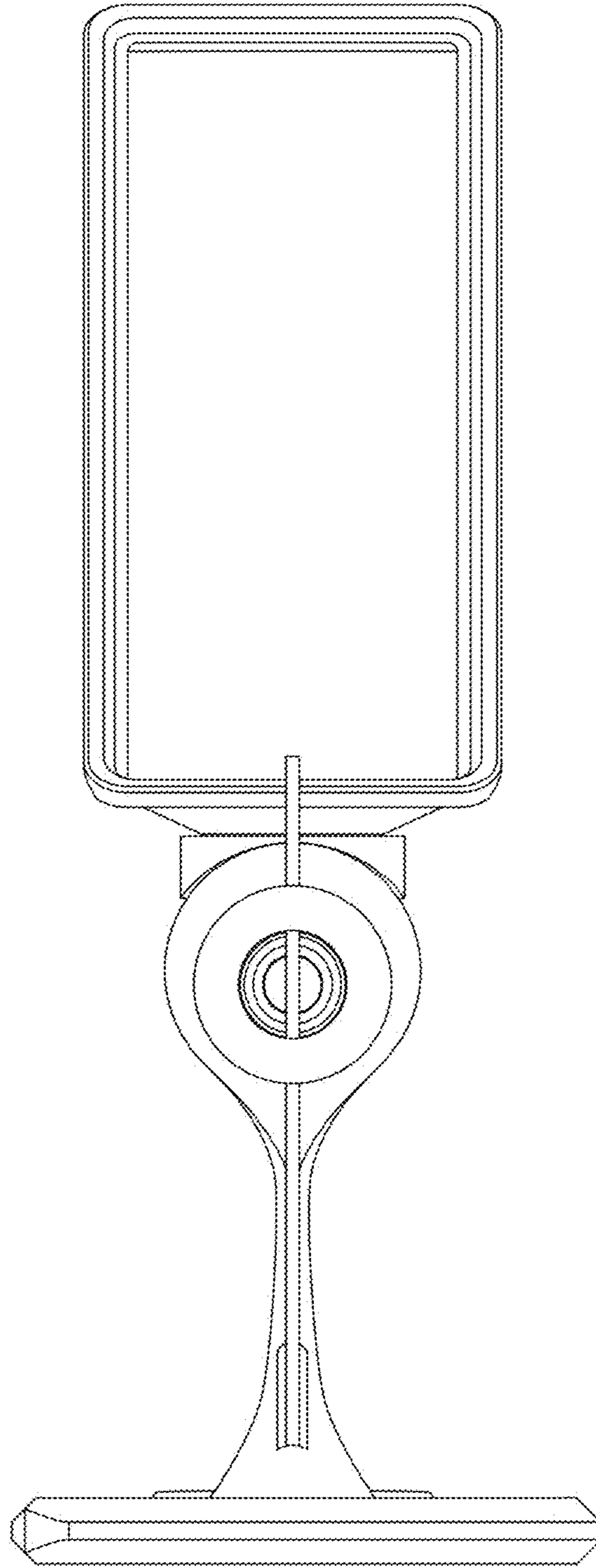
1 Claim, 9 Drawing Sheets



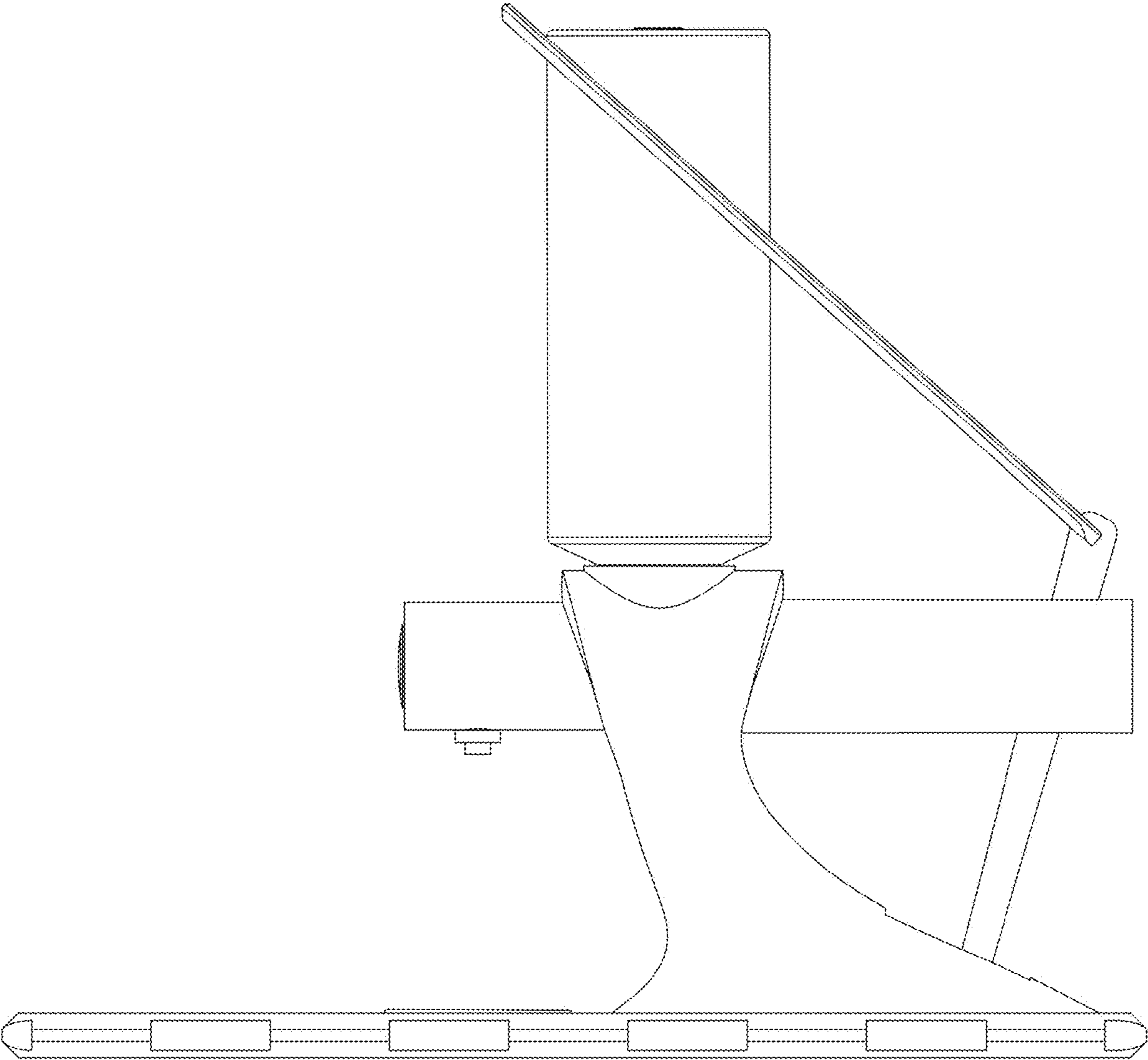
1.1



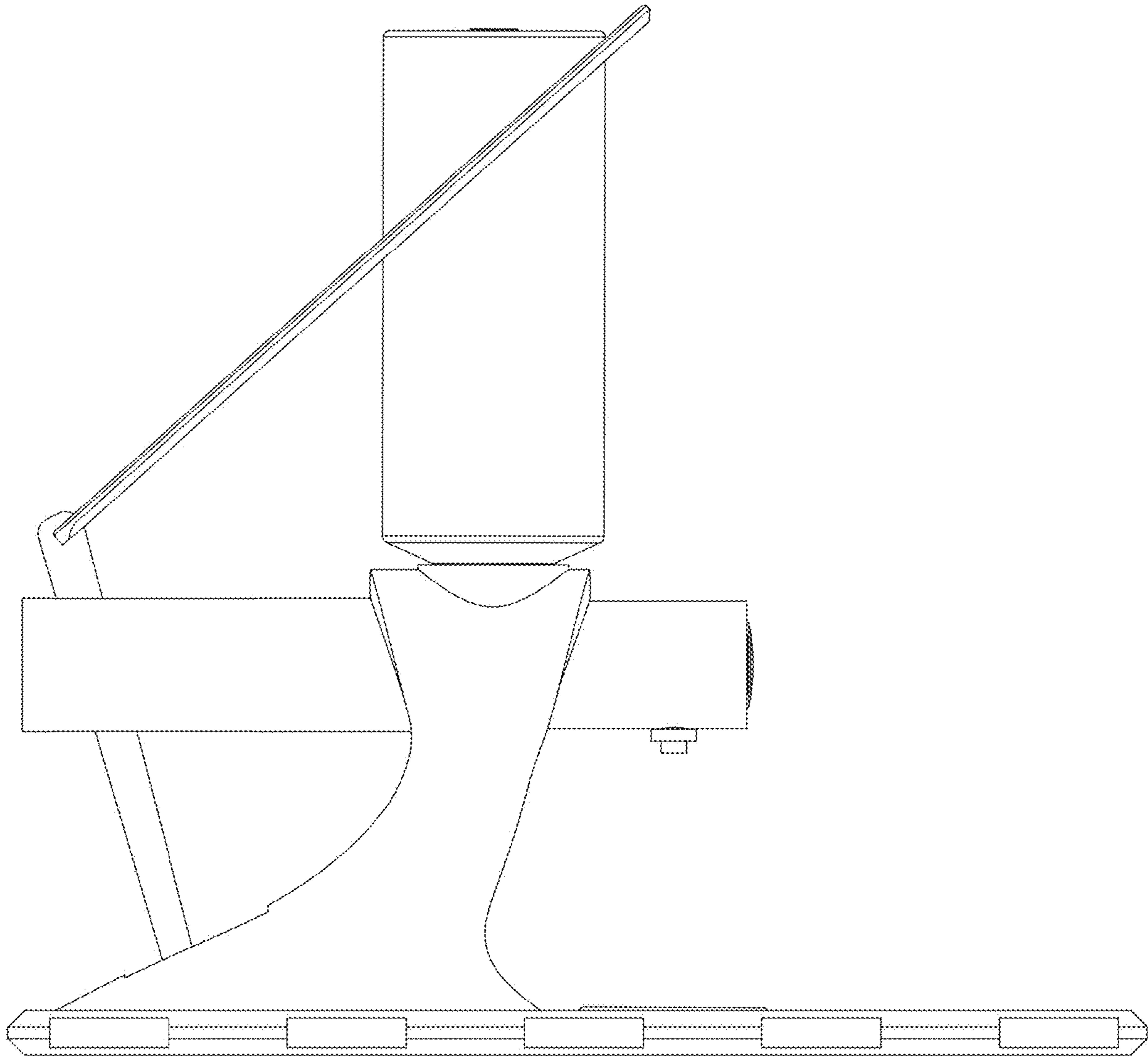
1.2



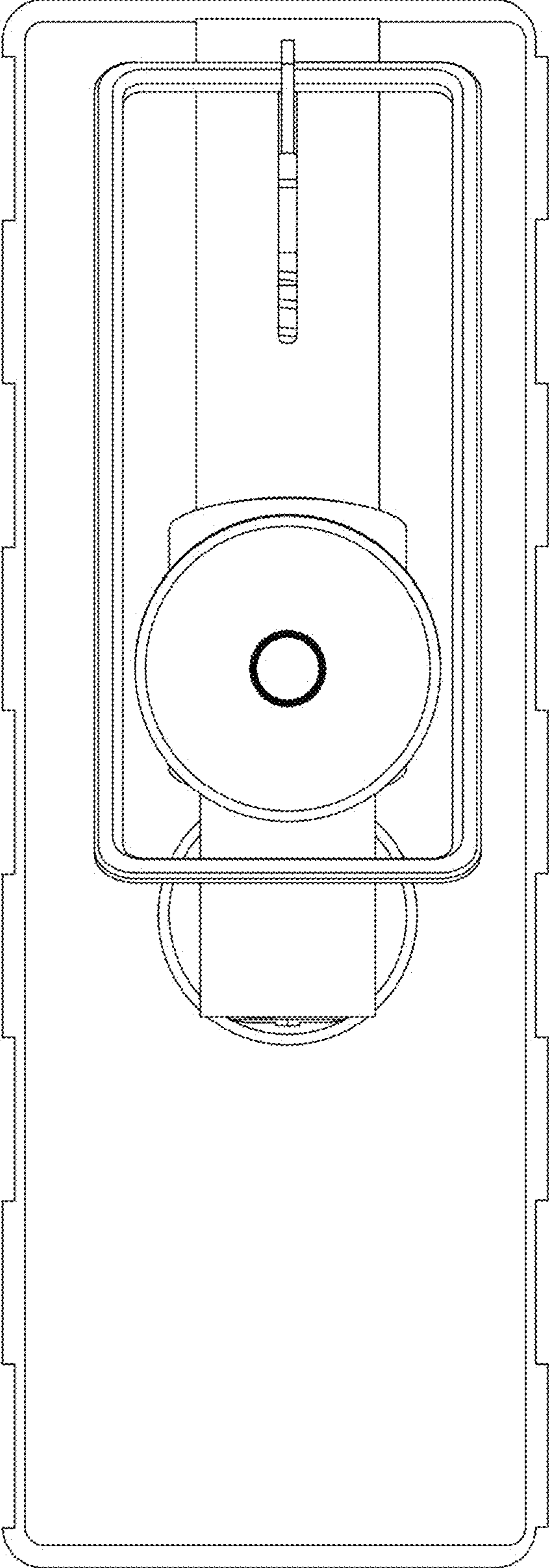
1.3



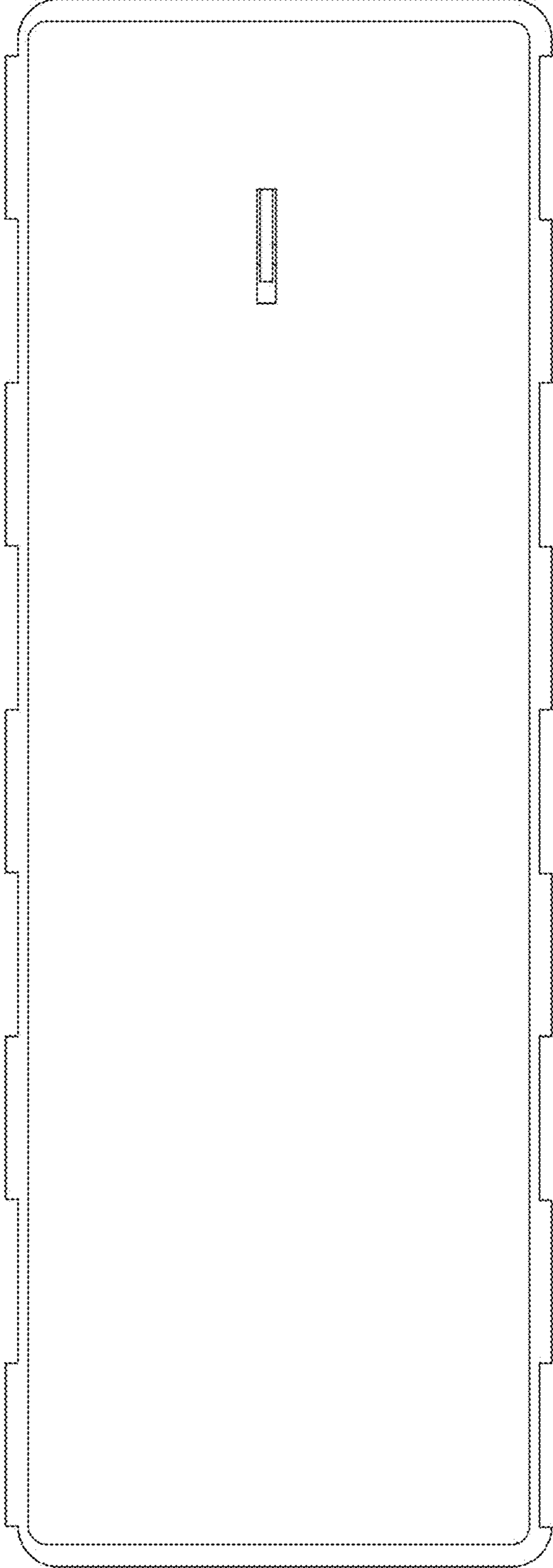
1.4



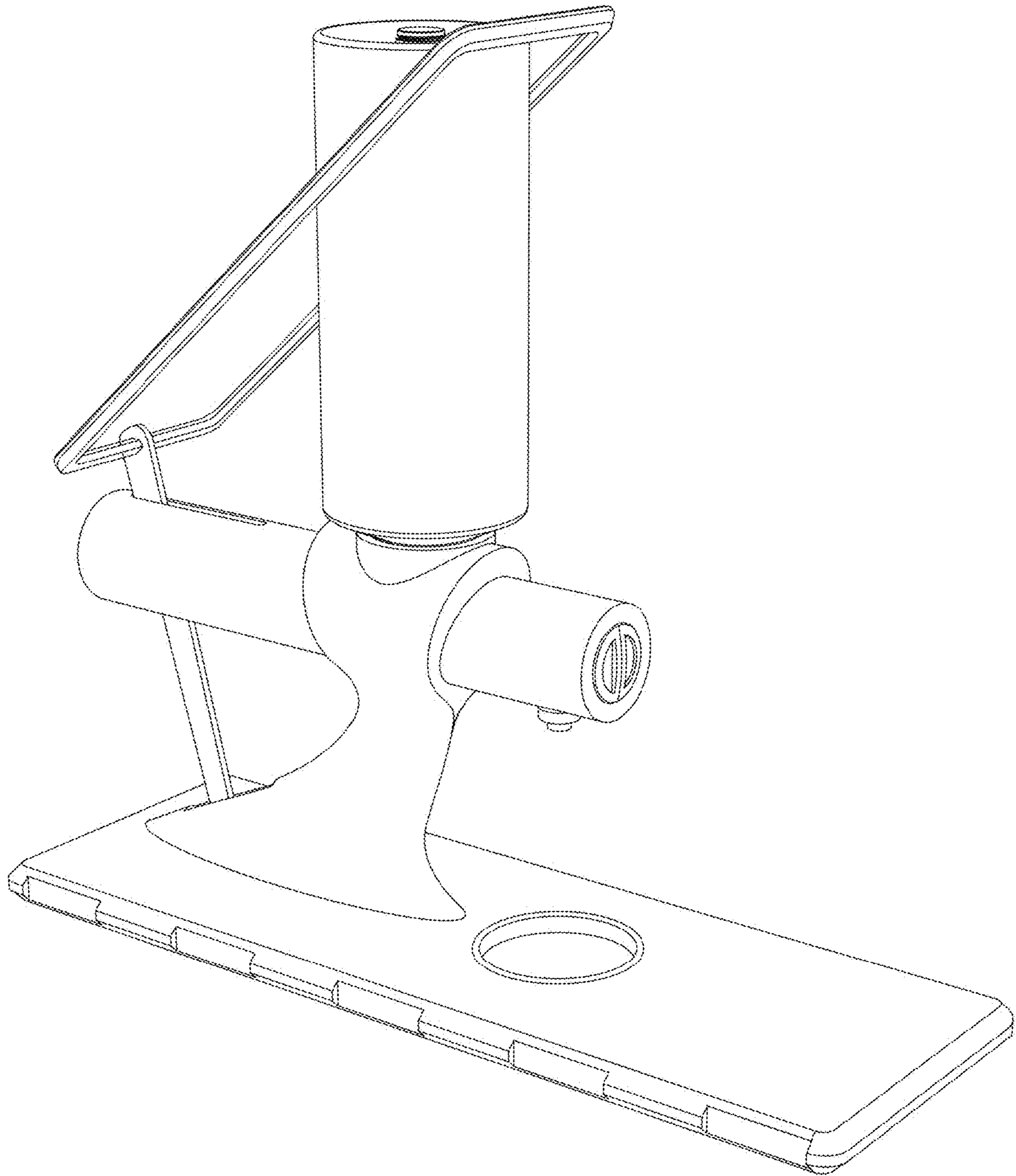
1.5



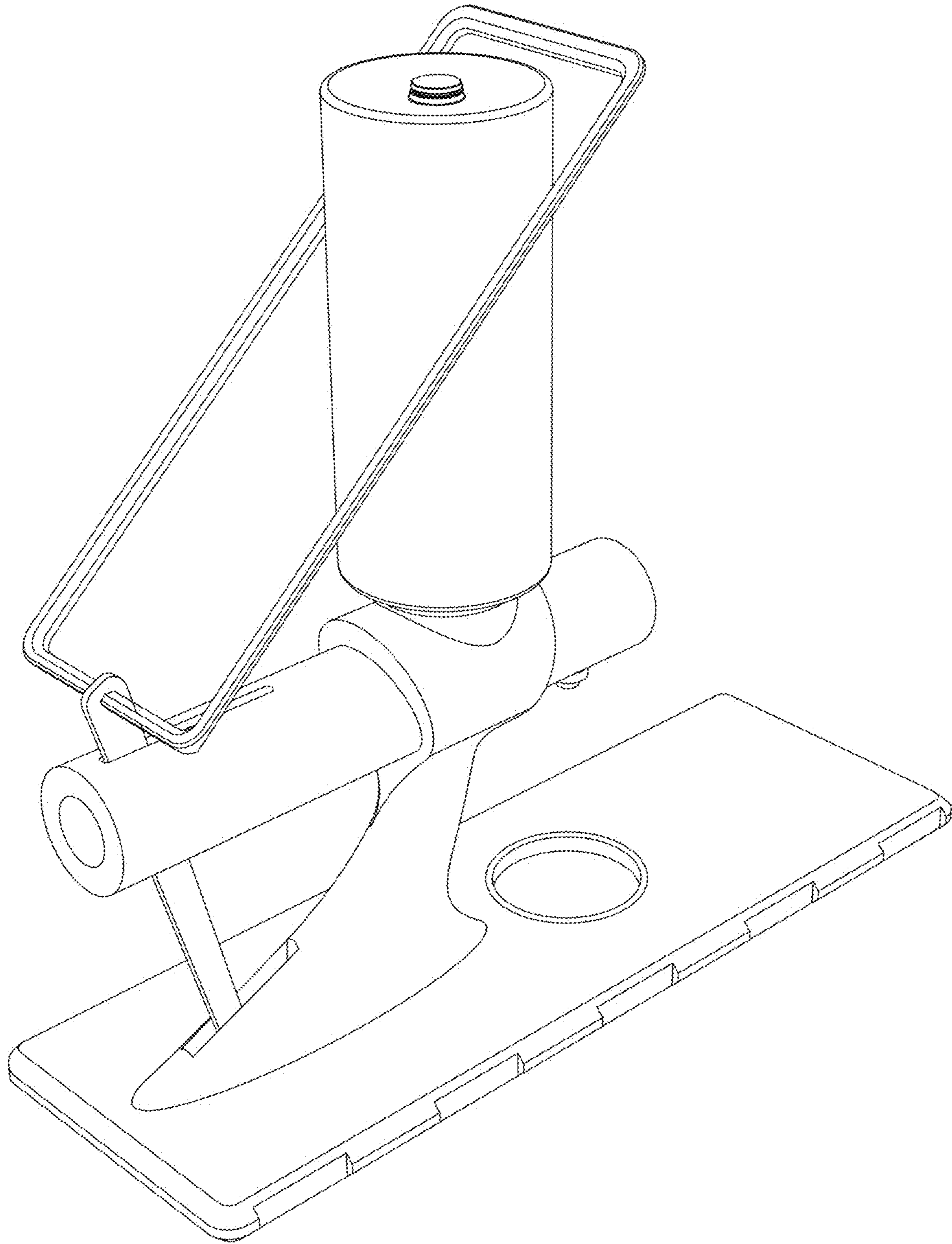
1.6



1.7



1.8



1.9

