



US00D912468S

(12) **United States Design Patent**
Wang

(10) **Patent No.:** **US D912,468 S**

(45) **Date of Patent:** **** Mar. 9, 2021**

- (54) **CUP WITH COFFEE BEANS**
- (71) Applicant: **Peirong Wang**, Fujian (CN)
- (72) Inventor: **Peirong Wang**, Fujian (CN)
- (73) Assignee: **Xiamen Jiaqu Houseware Co., Ltd.**,
Xiamen (CN)
- (**) Term: **15 Years**
- (21) Appl. No.: **29/705,273**
- (22) Filed: **Sep. 11, 2019**
- (51) **LOC (13) Cl.** **07-01**
- (52) **U.S. Cl.**
USPC **D7/515; D7/901; D9/668**
- (58) **Field of Classification Search**
USPC D7/516, 517, 519, 520, 510, 511, 515,
D7/514, 901; D9/621, 503, 668; 222/78,
222/662, 630; 206/217; 215/13.1
CPC A47G 19/2227
See application file for complete search history.

| | | | | |
|--------------|---------|----------|-------|--------|
| D372,836 S * | 8/1996 | Hurst | | D7/514 |
| D375,836 S * | 11/1996 | Conti | | D3/304 |
| D376,730 S * | 12/1996 | Hurst | | D7/514 |
| D400,399 S * | 11/1998 | Hurst | | D7/515 |
| D405,639 S * | 2/1999 | Clark | | D7/510 |
| D415,929 S * | 11/1999 | D'Arrigo | | D7/510 |
| D594,700 S * | 6/2009 | Sax | | D7/515 |
| D594,702 S * | 6/2009 | Sax | | D7/515 |
| D680,005 S * | 4/2013 | Eble | | D9/668 |
| D710,153 S * | 8/2014 | Marini | | D7/515 |
| D869,905 S * | 12/2019 | Paulin | | D7/515 |

* cited by examiner

Primary Examiner — Marianne N Pandozzi

(57) **CLAIM**

The ornamental design for a cup with coffee beans, as shown and described.

DESCRIPTION

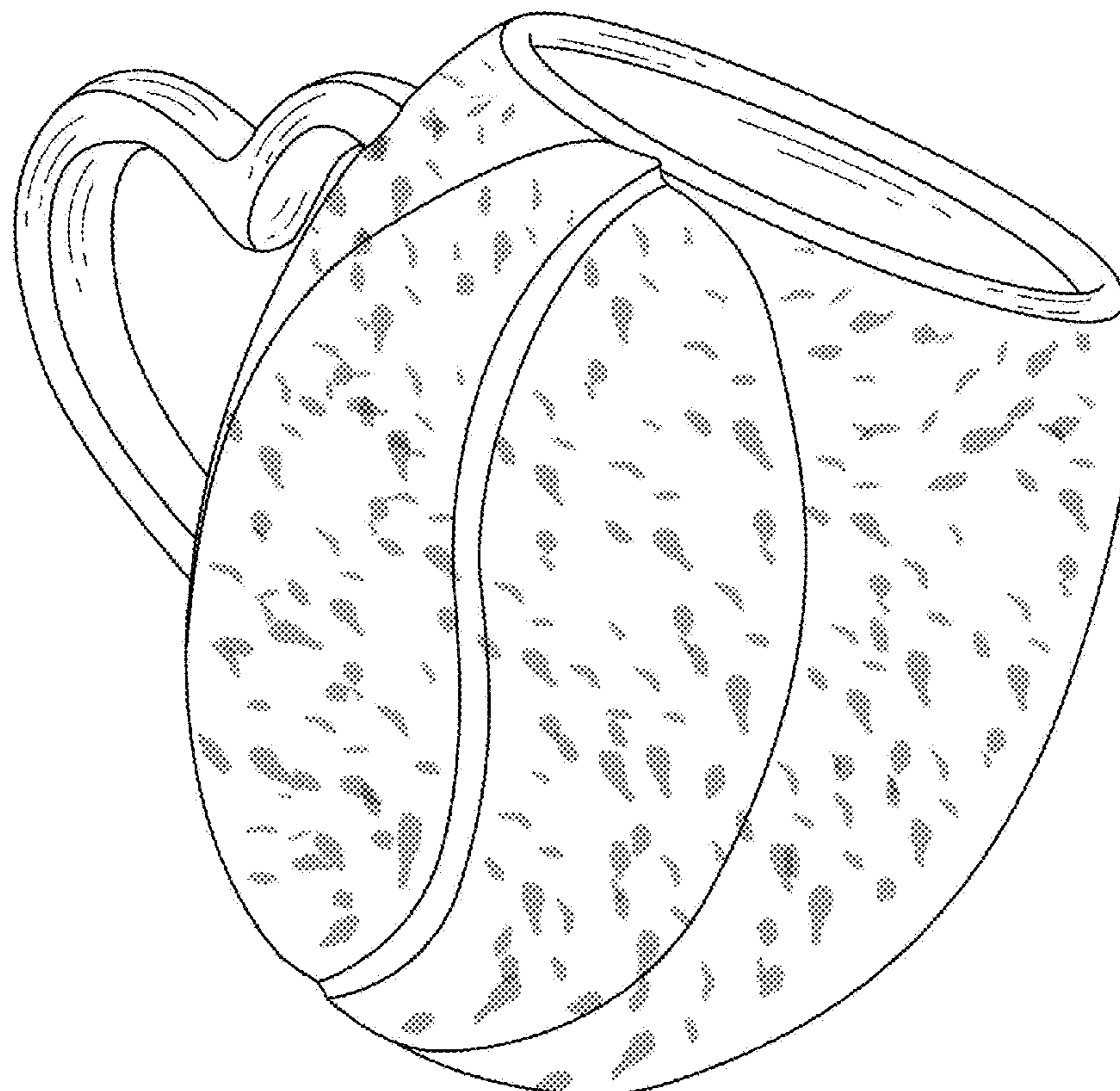
FIG. 1 is a front and top perspective view of a cup with coffee beans showing my new design;
 FIG. 2 is a top, rear and left side perspective view thereof;
 FIG. 3 is a front elevation view thereof;
 FIG. 4 is a rear elevation view thereof;
 FIG. 5 is a left side elevation view thereof;
 FIG. 6 is a right side elevation view thereof;
 FIG. 7 is a top plan view thereof; and,
 FIG. 8 is a bottom plan view thereof.
 The gray shade on the surface of the cup represents the coffee beans and is a surface pattern.

1 Claim, 8 Drawing Sheets

(56) **References Cited**

U.S. PATENT DOCUMENTS

| | | | | |
|--------------|---------|-------------|-------|--------|
| D249,918 S * | 10/1978 | Block | | D7/514 |
| D292,462 S * | 10/1987 | Petrsek | | D7/515 |
| D297,389 S * | 8/1988 | Demaree | | D7/511 |
| D340,076 S * | 10/1993 | Turner | | D19/82 |
| D360,108 S * | 7/1995 | Blankenburg | | D7/515 |



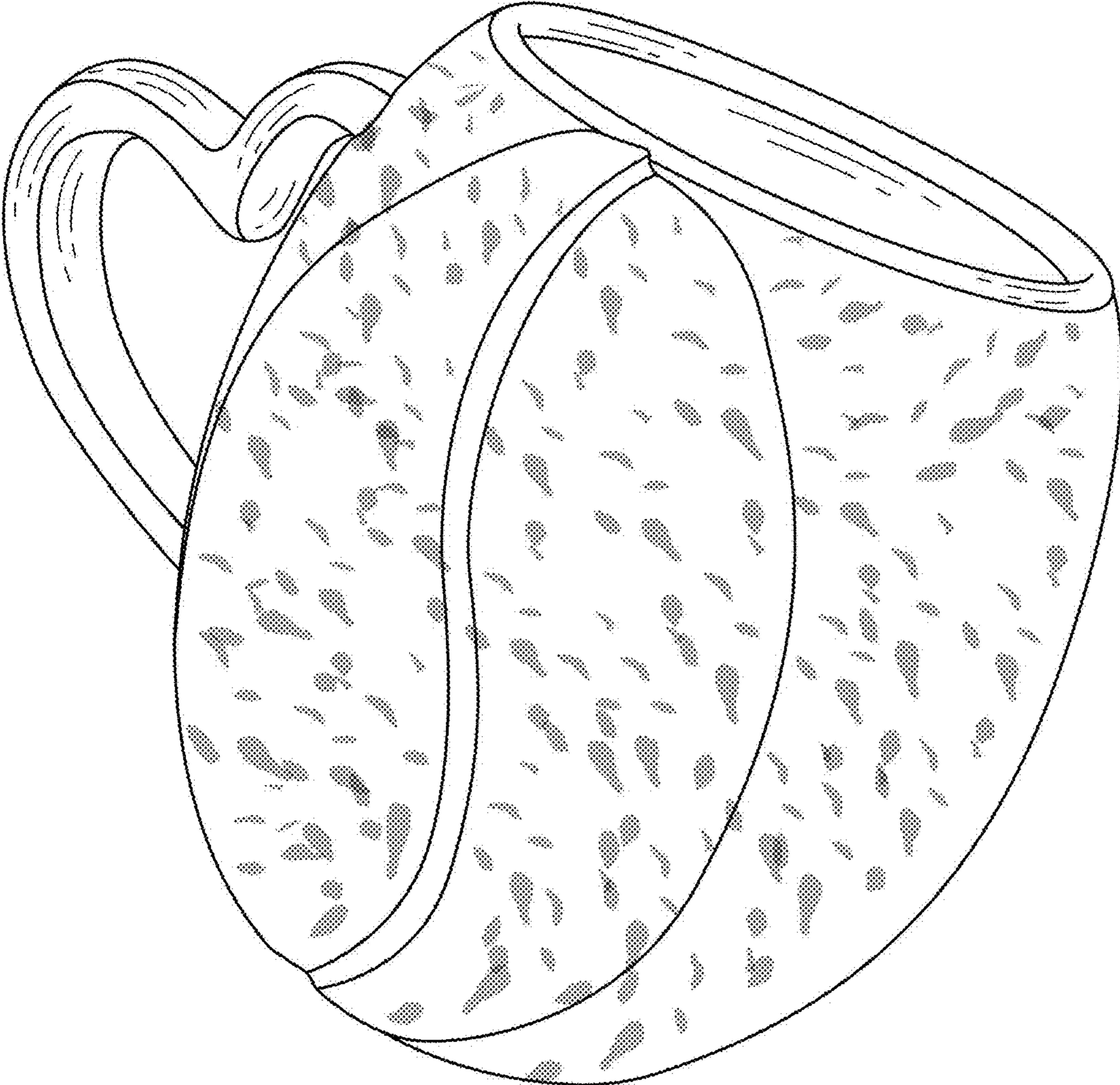


FIG.1

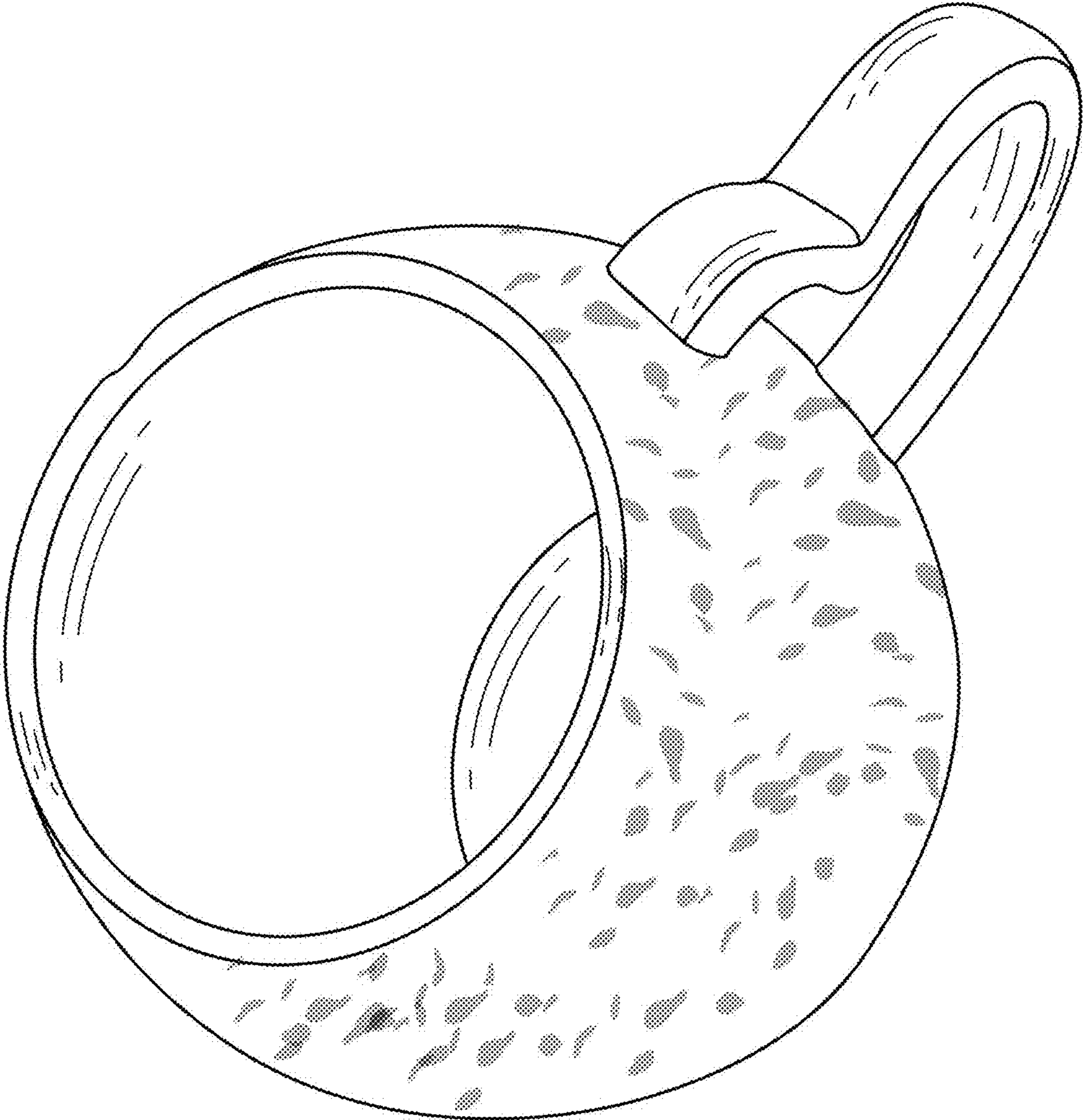


FIG. 2

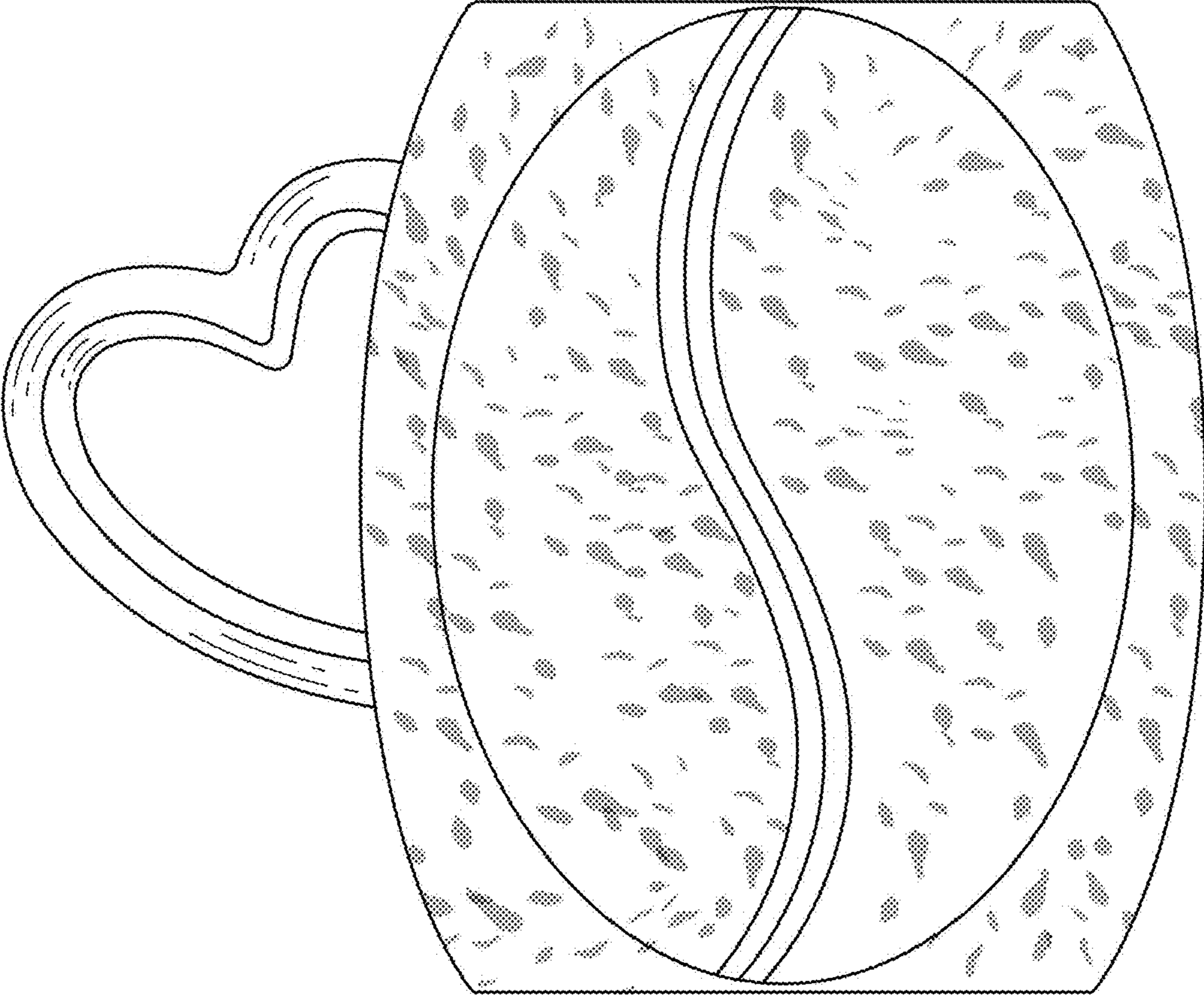


FIG.3

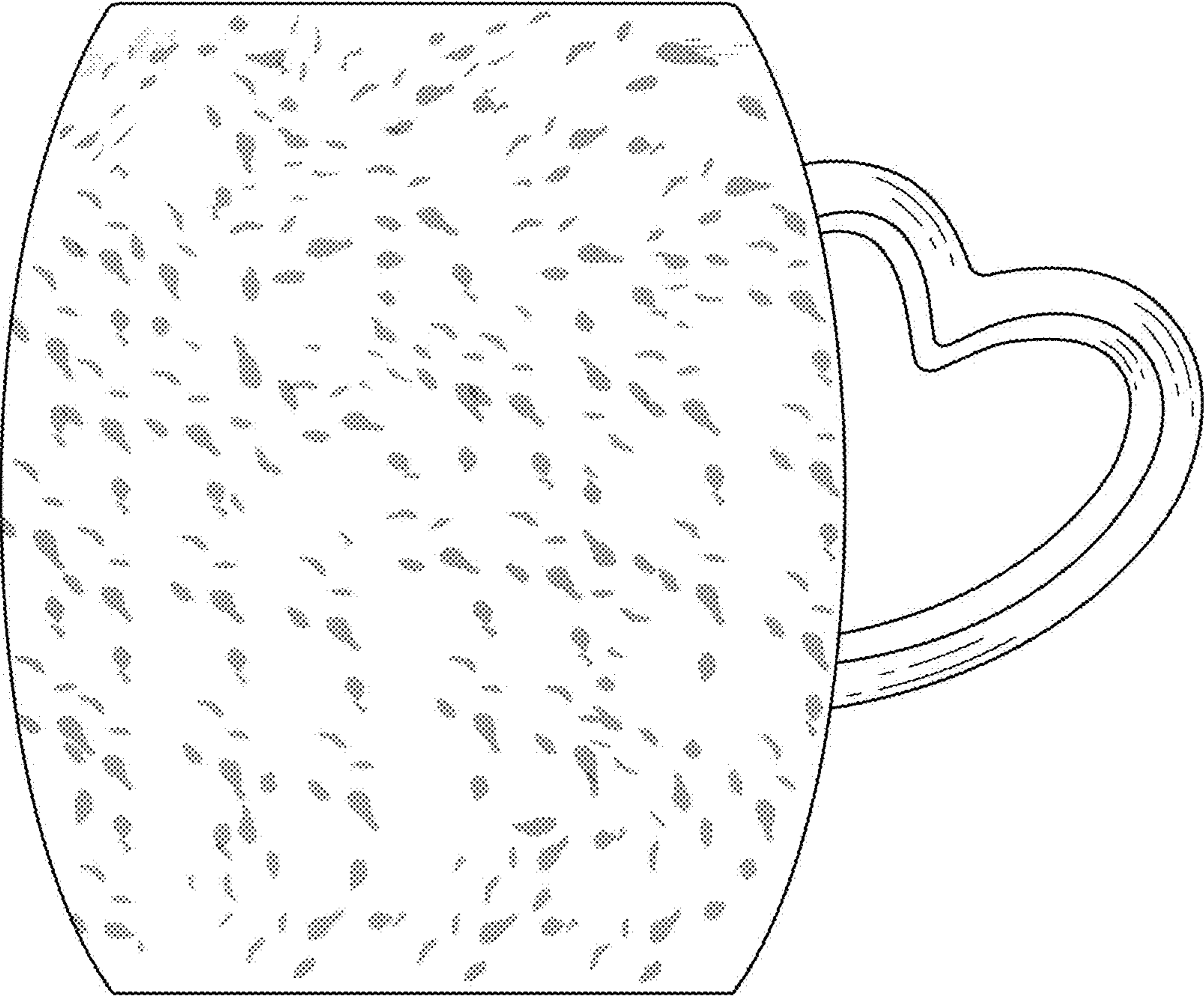


FIG.4

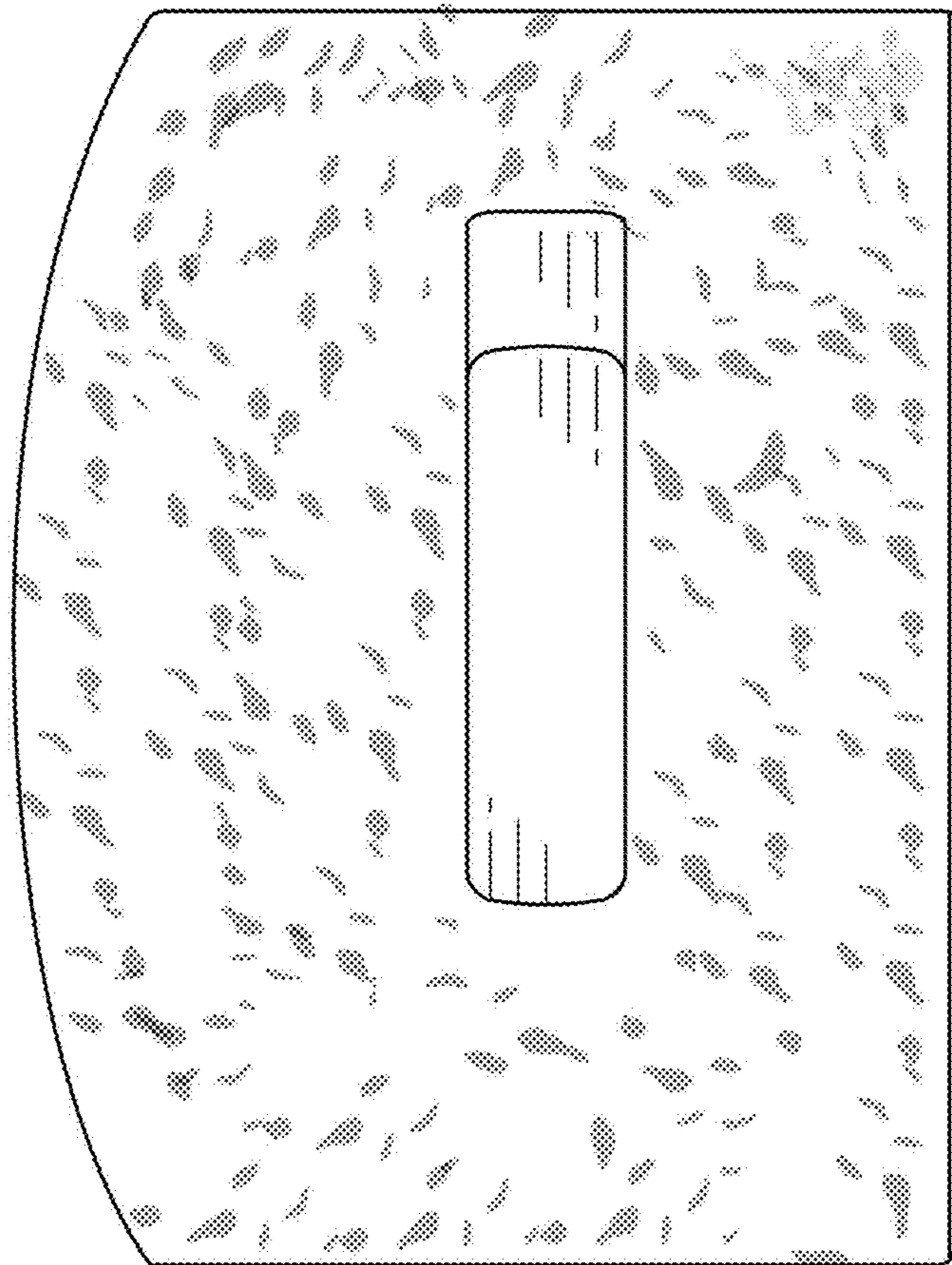


FIG. 5

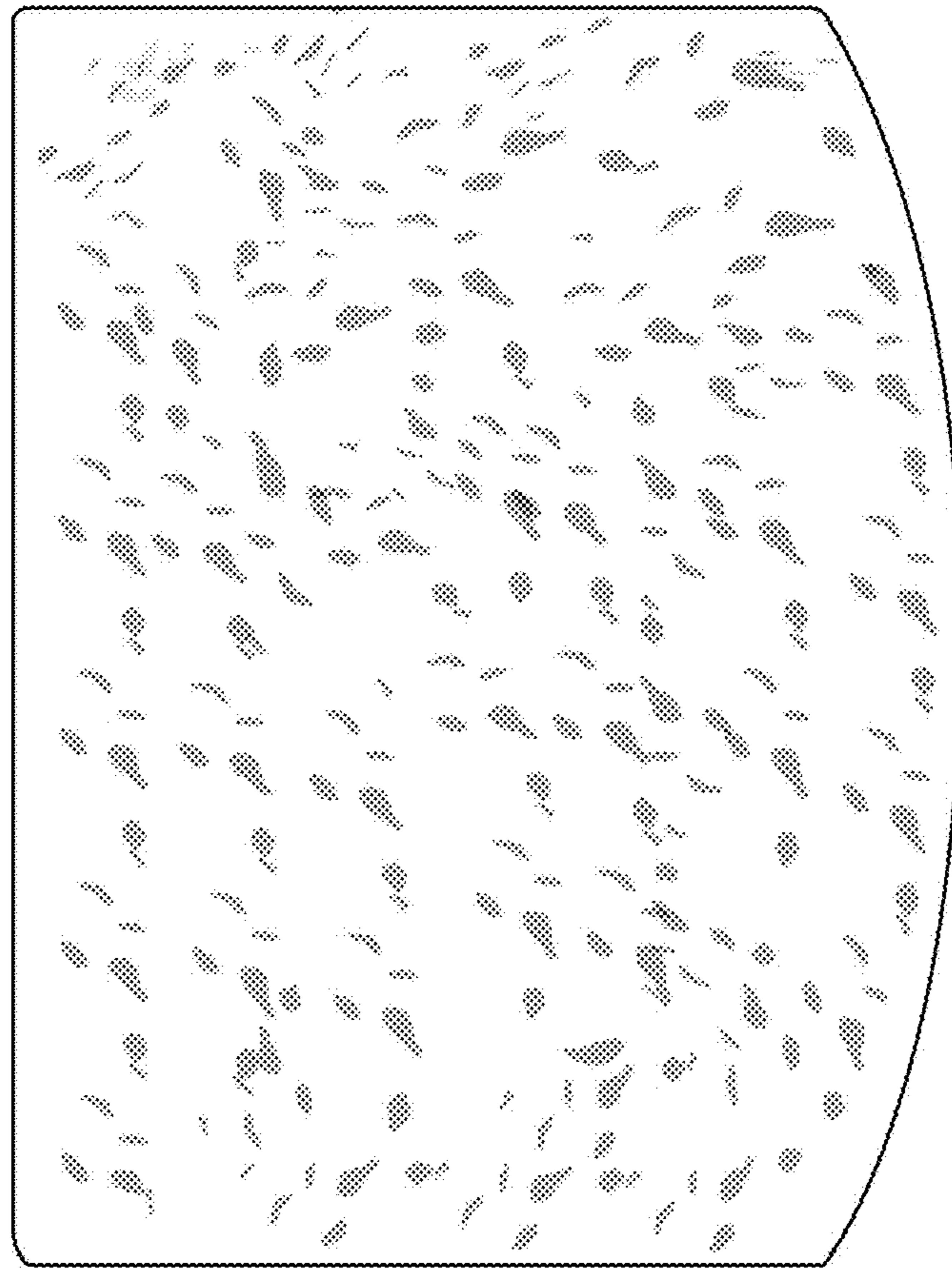


FIG. 6

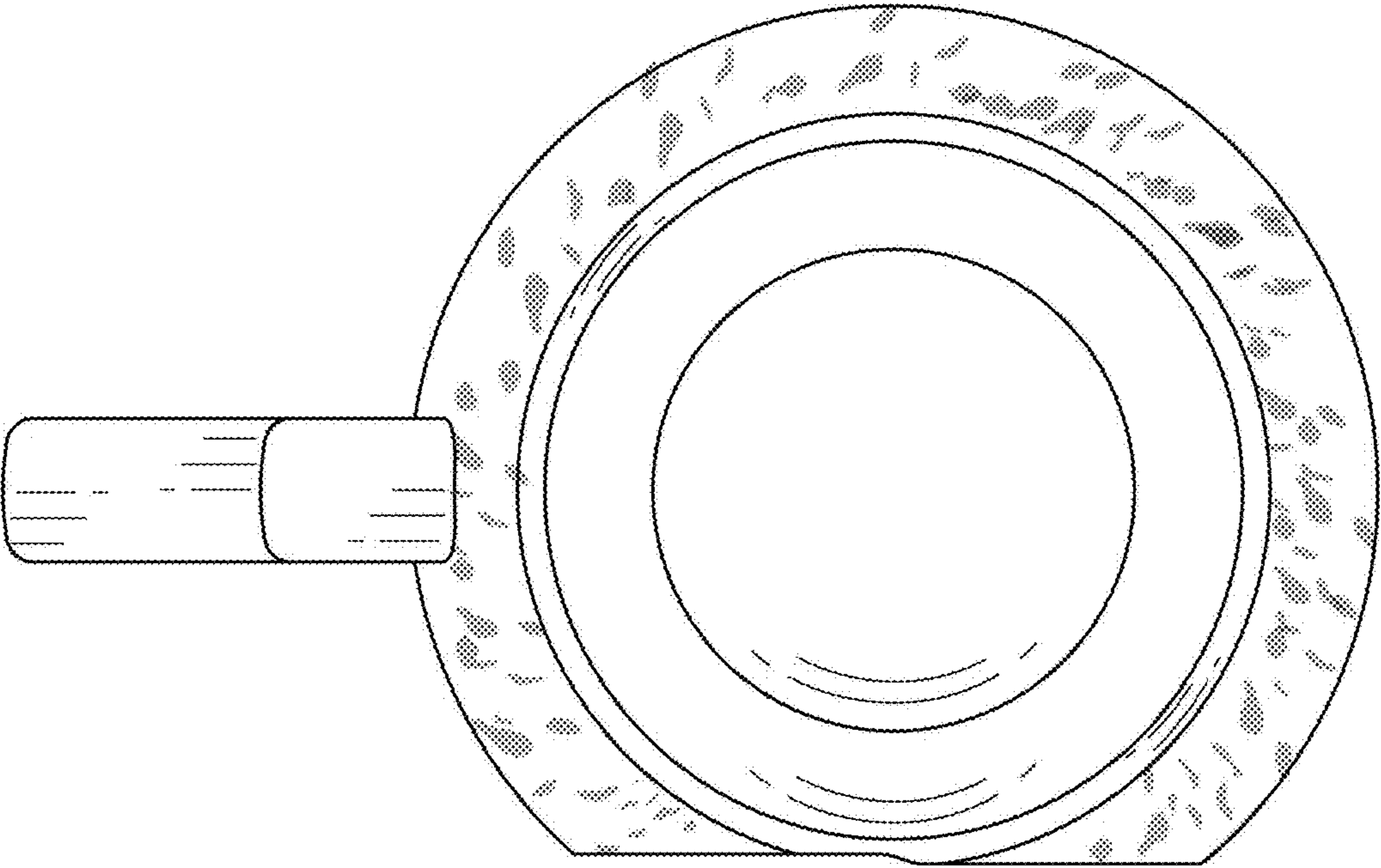


FIG. 7

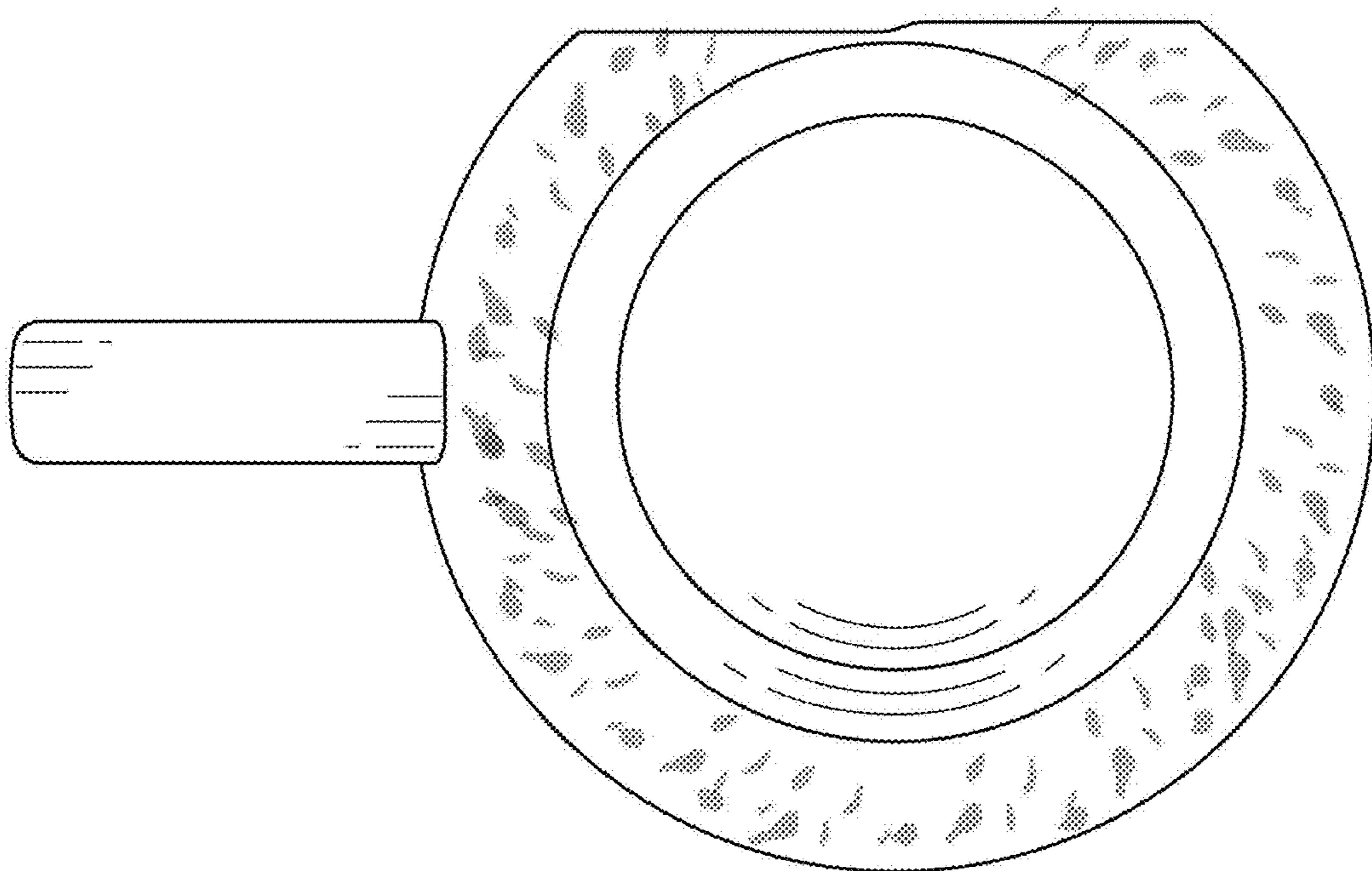


FIG. 8