



US00D912466S

(12) **United States Design Patent**  
**Silsby et al.**

(10) **Patent No.:** **US D912,466 S**  
(45) **Date of Patent:** **\*\* Mar. 9, 2021**

- (54) **BEVERAGE CONTAINER**
- (71) Applicant: **Pacific Market International, LLC**,  
Seattle, WA (US)
- (72) Inventors: **Jacob D. Silsby**, Seattle, WA (US);  
**Andrew C. F. Wahl**, Seattle, WA (US)
- (73) Assignee: **Pacific Market International, LLC**,  
Seattle, WA (US)
- (\*\*) Term: **15 Years**
- (21) Appl. No.: **29/691,998**
- (22) Filed: **May 21, 2019**
- (51) **LOC (13) Cl.** ..... **07-01**
- (52) **U.S. Cl.**  
USPC ..... **D7/510**
- (58) **Field of Classification Search**  
USPC ..... D7/500, 584, 590, 600.1, 600.2, 602,  
D7/600.4, 601, 605, 607, 608, 619.1, 620,  
D7/622, 624.1, 624.2, 624.3, 701, 704,  
D7/510, 511; D3/306; D6/574, 571,  
D6/705, 677.1  
CPC . A47F 5/01; A47F 5/02; A47F 7/0064; A47G  
23/0216; A47G 23/0225; A47G 23/03;  
A47G 19/02; A47G 19/025; B65D 1/24;  
B65D 1/36; A45C 11/20  
See application file for complete search history.

(56) **References Cited**  
U.S. PATENT DOCUMENTS

D374,401 S	10/1996	Behnen, Jr.
D531,036 S	10/2006	Bried et al.
D577,290 S	9/2008	Moretti
D615,817 S	5/2010	George
D621,666 S	8/2010	Wahl
D641,591 S	7/2011	Tsukida
D655,134 S	3/2012	Gilbert
D660,081 S	5/2012	Gilbert

D695,138 S	*	12/2013	Ball	.....	D9/772
D700,802 S		3/2014	Miller		
D701,079 S	*	3/2014	Arora	.....	D7/396.2
D707,492 S		6/2014	George et al.		
D729,585 S		5/2015	Boroski		
D746,701 S	*	1/2016	Pape	.....	D9/772
D748,942 S		2/2016	Boroski et al.		
D772,652 S		11/2016	Yao		
D774,837 S	*	12/2016	Seiders	.....	D7/608
D778,677 S		2/2017	Boroski et al.		
D780,578 S		3/2017	Lane et al.		
D809,347 S		2/2018	Silsby et al.		
D819,402 S		6/2018	Silsby et al.		
D827,377 S		9/2018	Silsby et al.		
D831,434 S		10/2018	Washburn et al.		
D857,462 S	*	8/2019	Silsby	.....	D7/608
D862,992 S	*	10/2019	Wong	.....	D7/608
D878,160 S		3/2020	Corbet et al.		

(Continued)

*Primary Examiner* — Karen S Acker  
*Assistant Examiner* — Steven B Reinholdt, Jr.  
(74) *Attorney, Agent, or Firm* — George C. Rondeau, Jr.;  
Davis Wright Tremaine, LLP

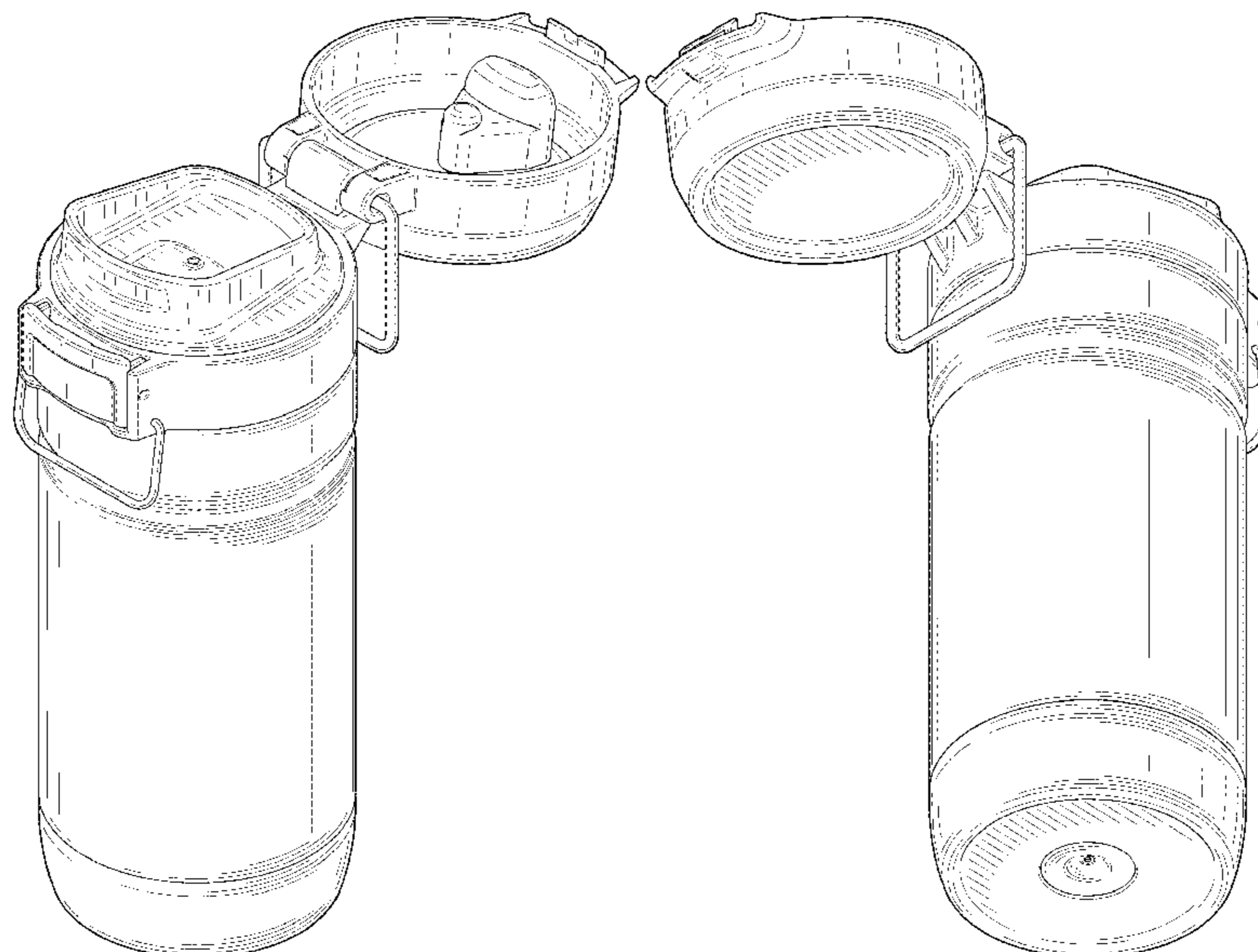
(57) **CLAIM**

The ornamental design for a beverage container, as shown and described.

**DESCRIPTION**

FIG. 1 is a top perspective view of a beverage container showing our new design.  
FIG. 2 is a bottom perspective view thereof.  
FIG. 3 is a left side elevational view thereof.  
FIG. 4 is a front elevational view thereof.  
FIG. 5 is a right side elevational view thereof.  
FIG. 6 is a rear elevational view thereof.  
FIG. 7 is a top plan view thereof; and,  
FIG. 8 is a bottom plan view thereof.  
The dot-dash-dot broken lines in FIGS. 1 and 7 depict the boundaries of the claim and form no part thereof.

**1 Claim, 7 Drawing Sheets**



(56)

**References Cited**

U.S. PATENT DOCUMENTS

D880,941 S 4/2020 Silsby et al.  
2014/0061208 A1\* 3/2014 Boyd ..... A47J 41/0005  
220/592.17

\* cited by examiner

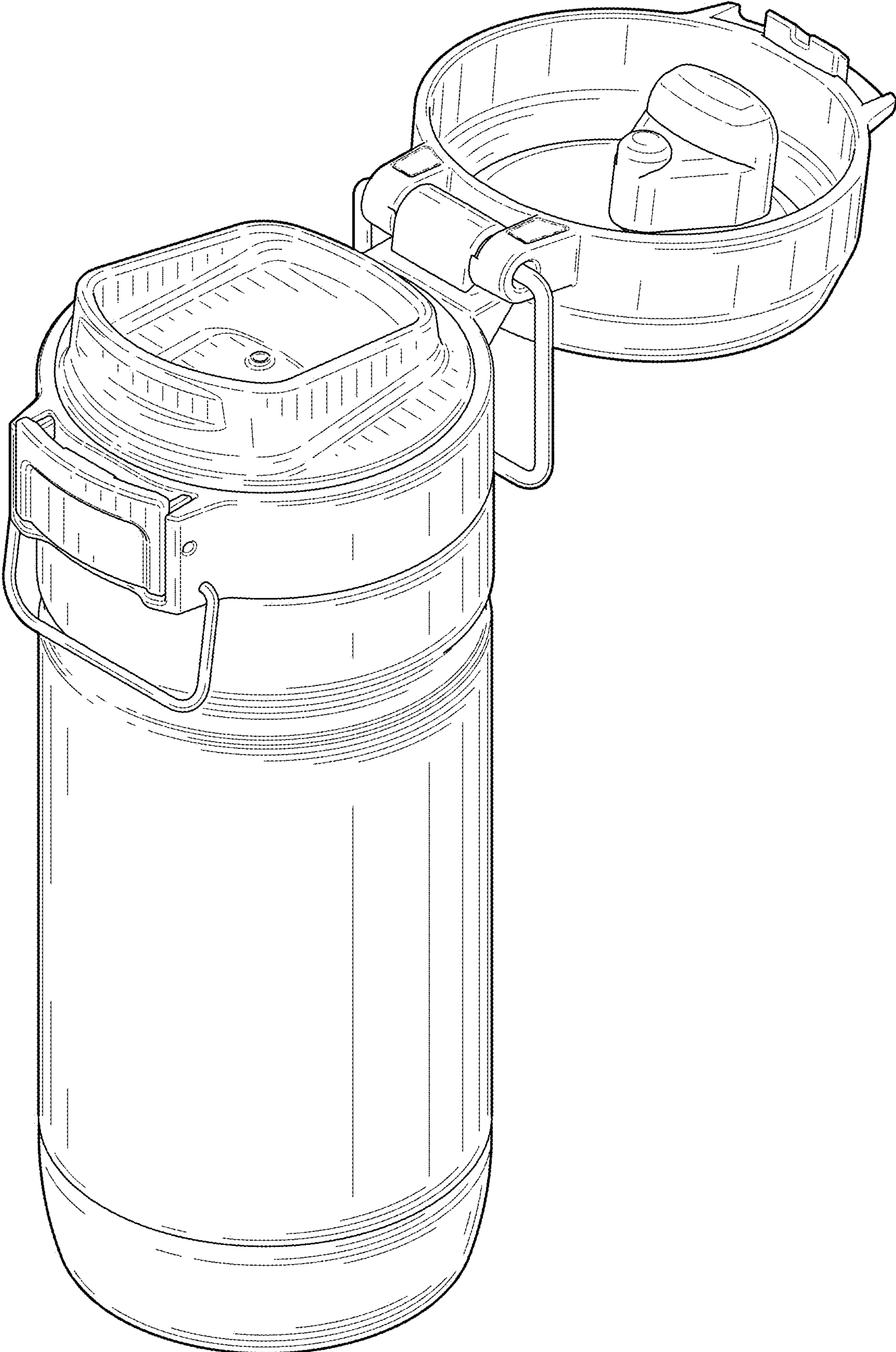


FIG. 1

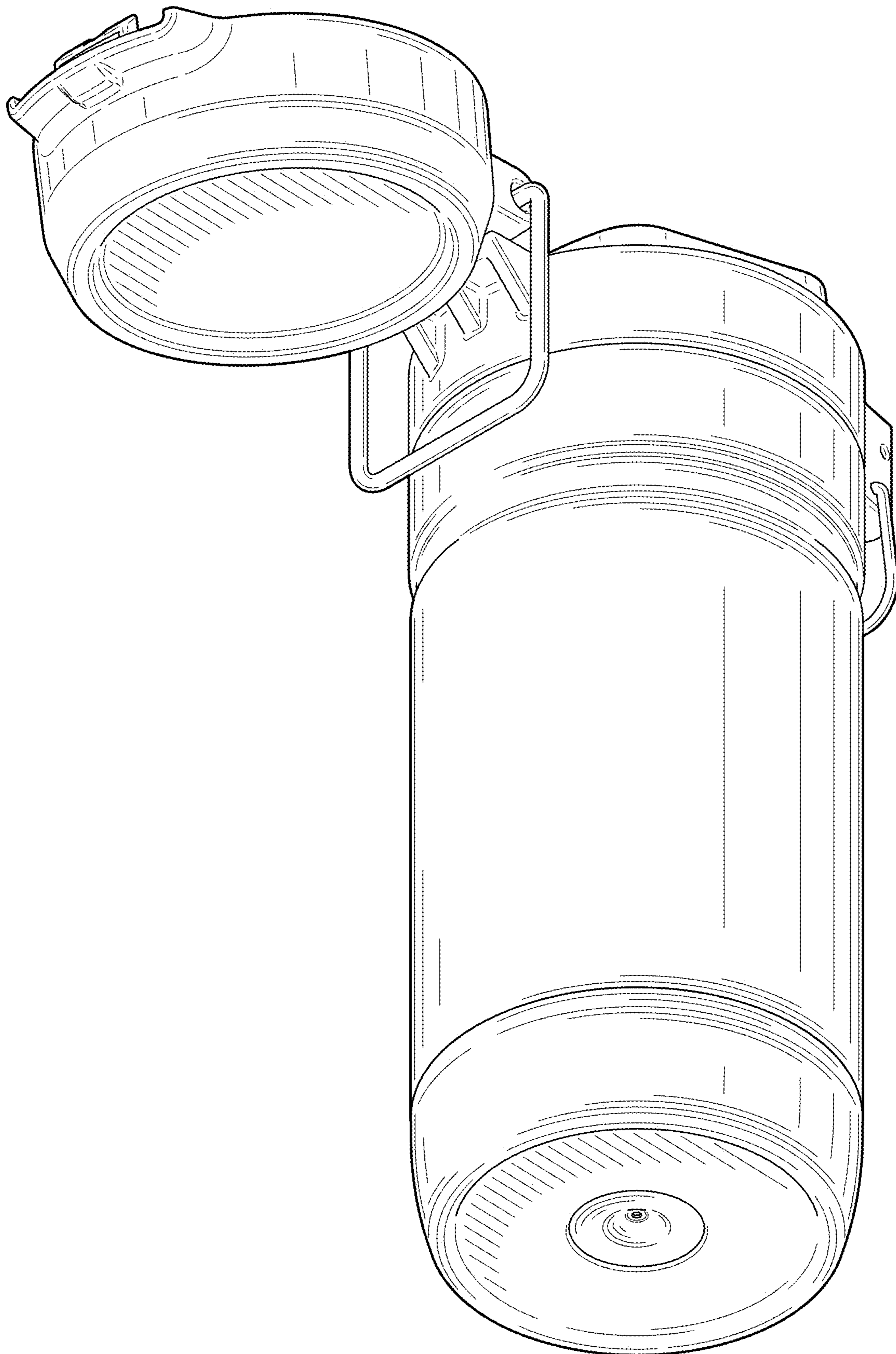


FIG. 2

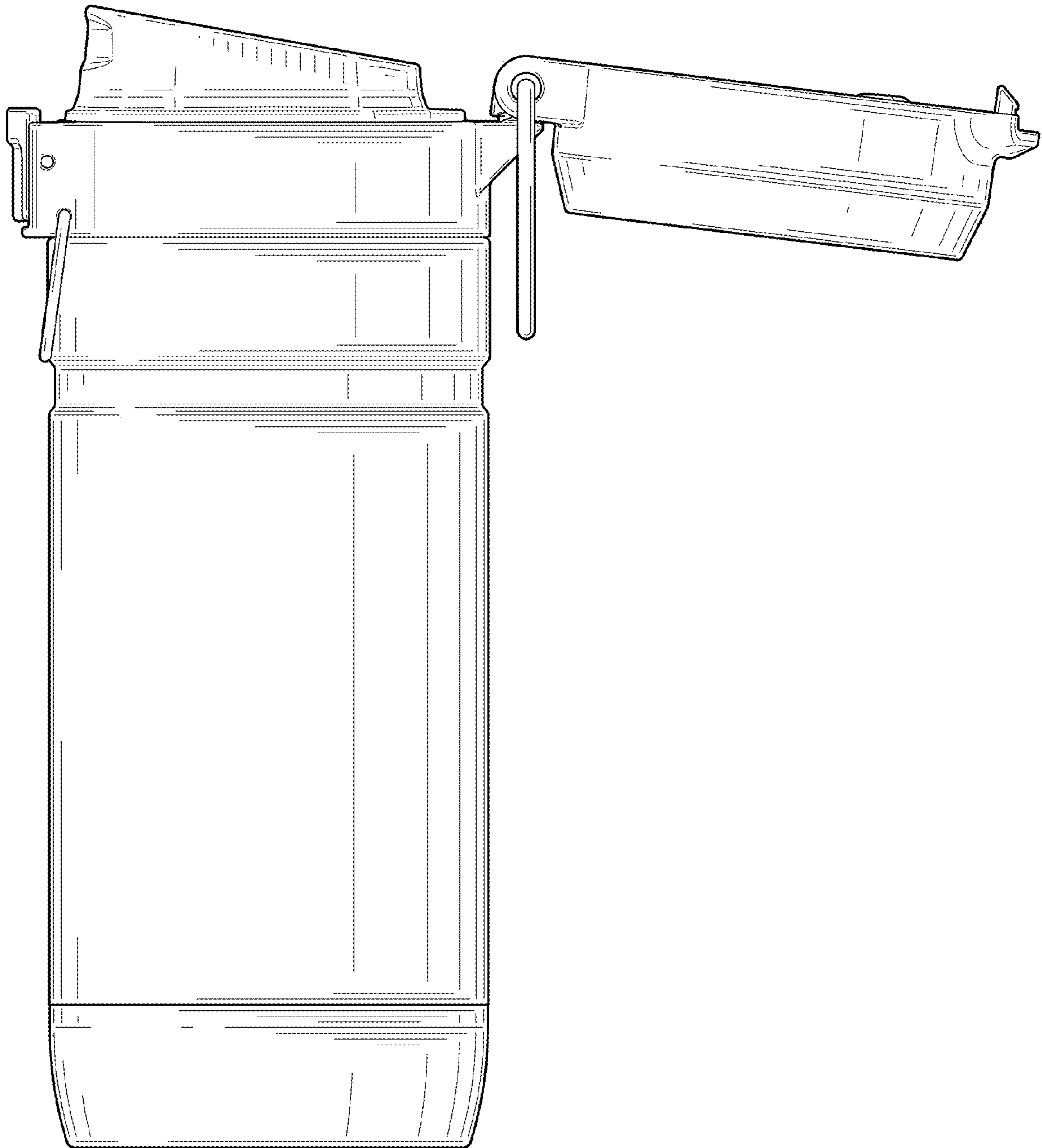


FIG. 3

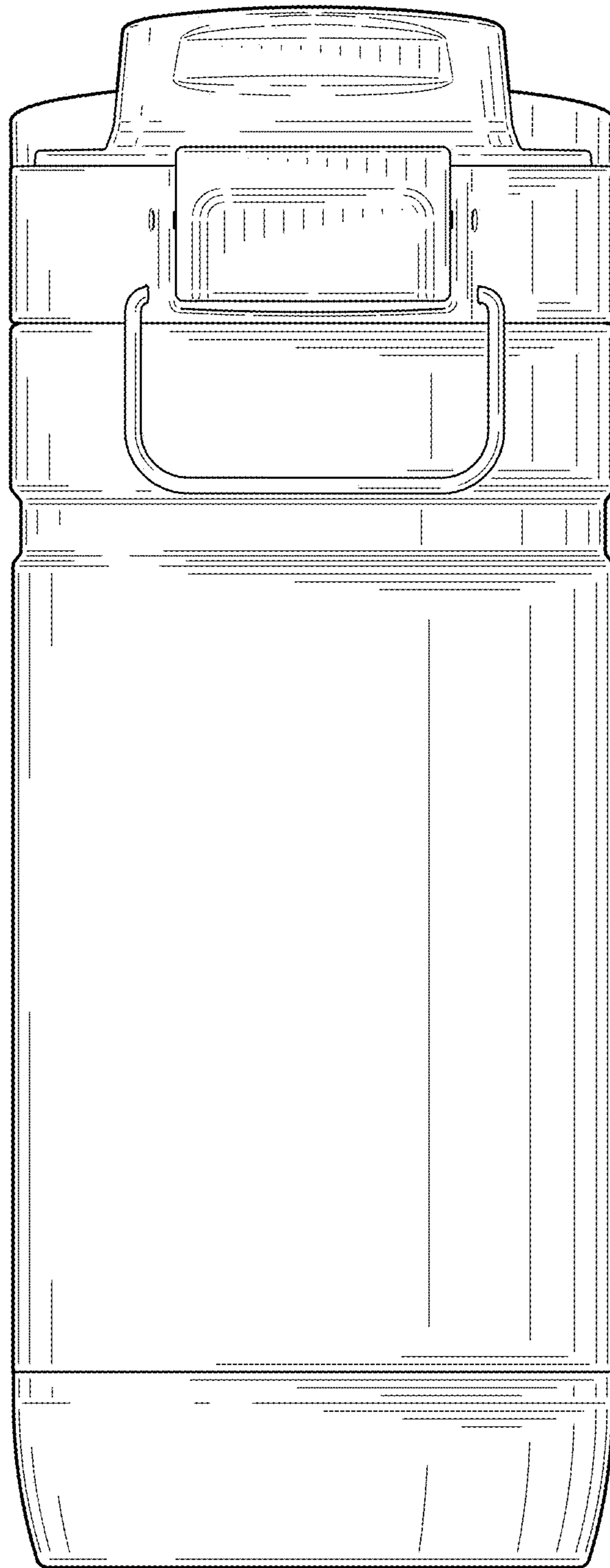


FIG. 4

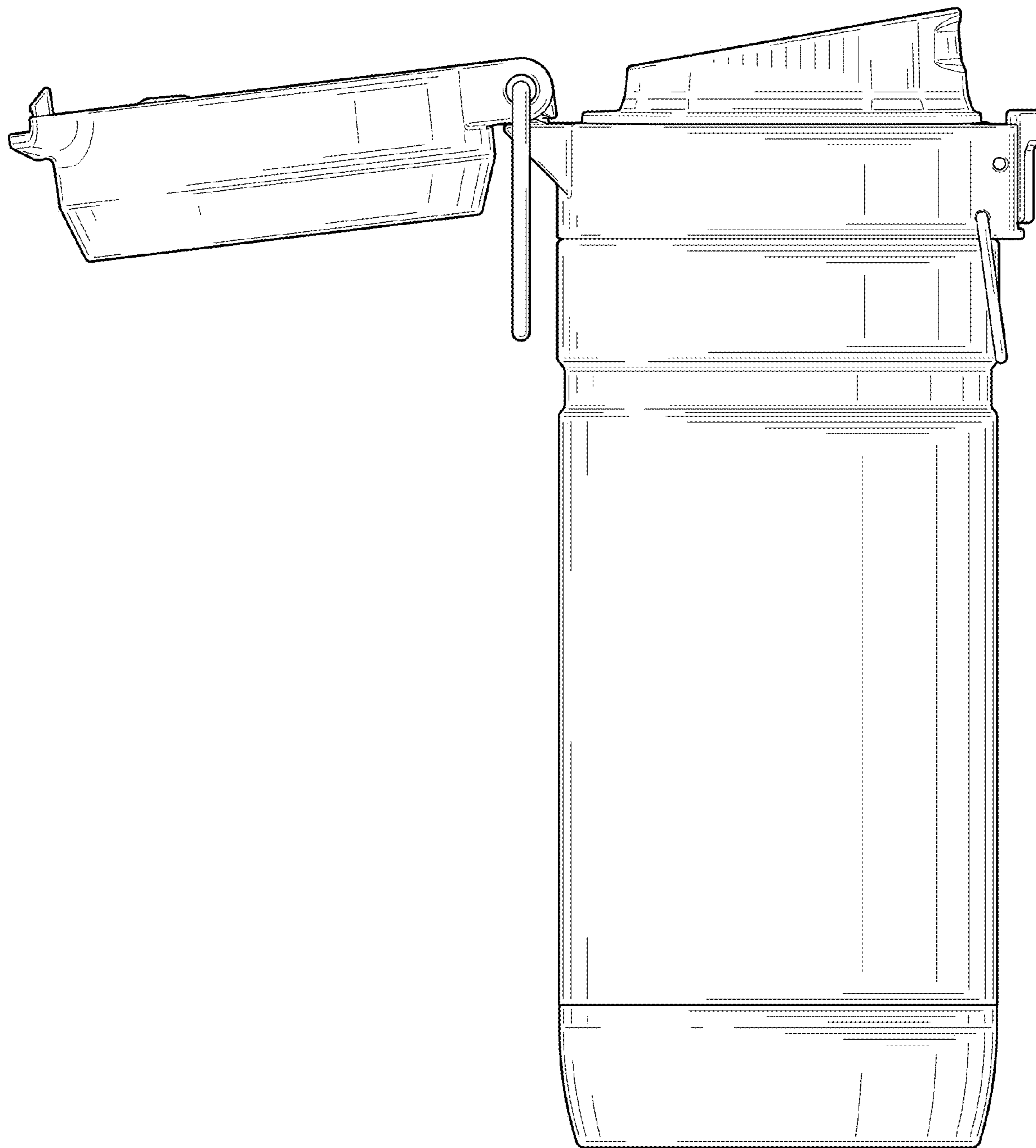


FIG. 5

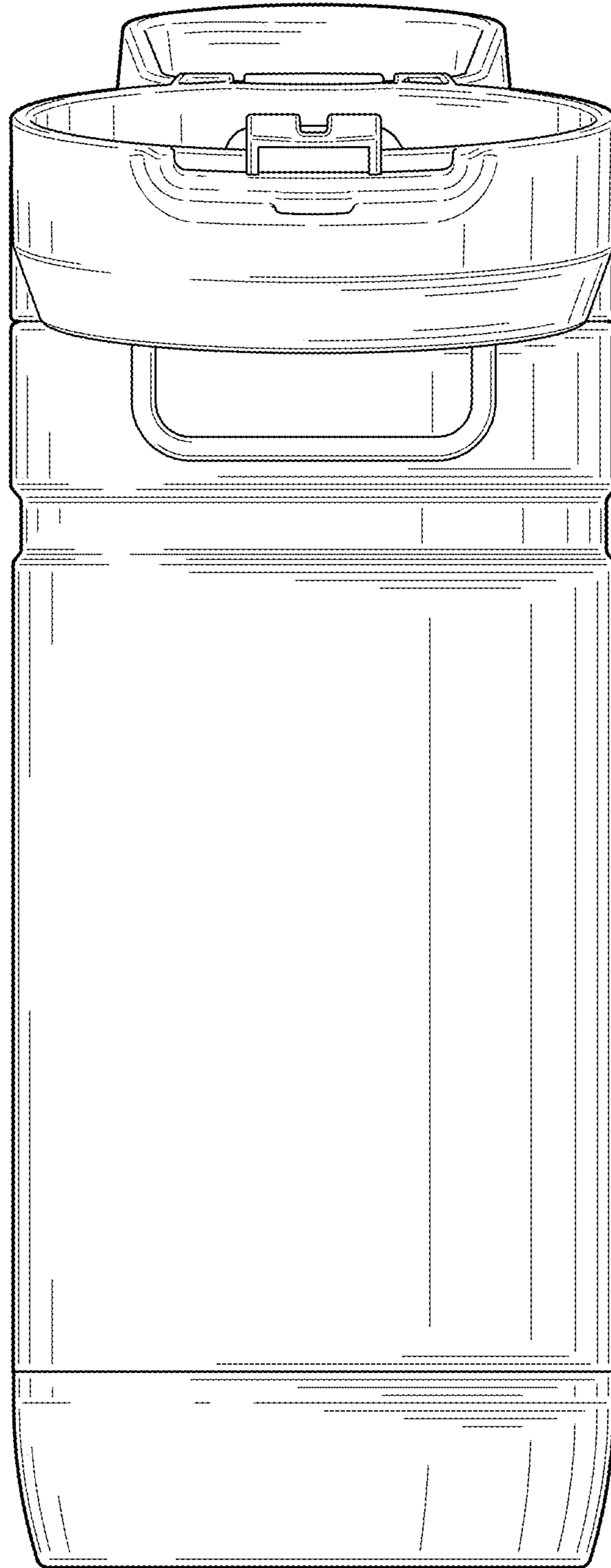


FIG. 6



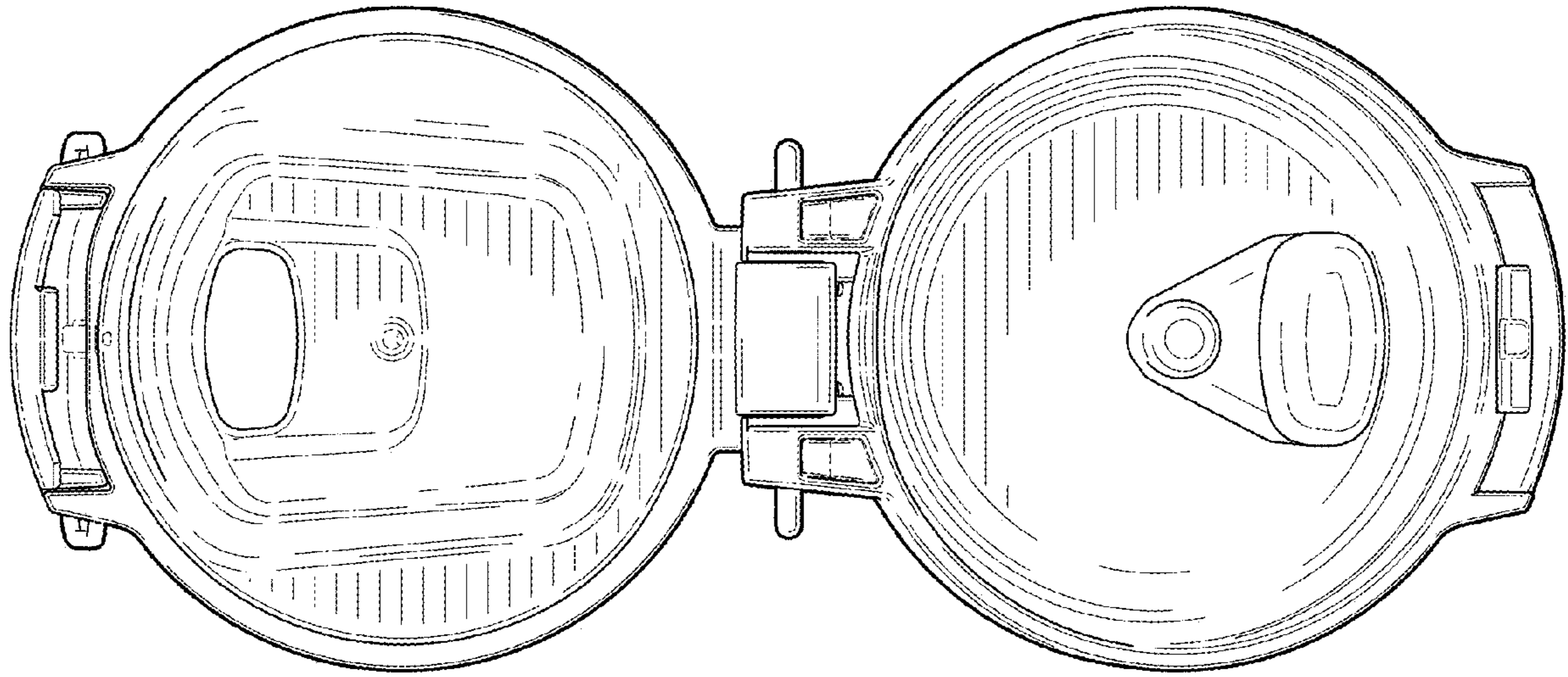


FIG. 7

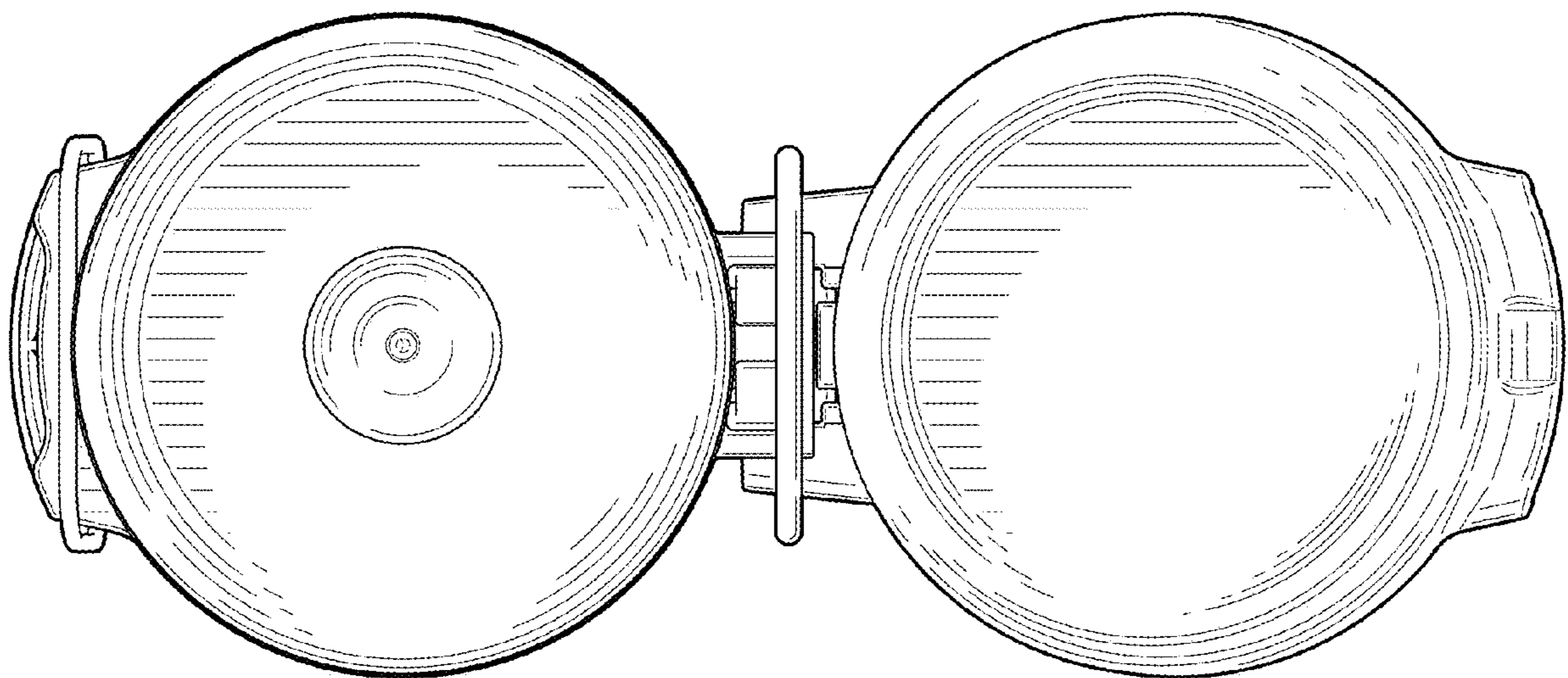


FIG. 8