



US00D912465S

(12) **United States Design Patent**  
**Han**

(10) **Patent No.:** **US D912,465 S**  
(45) **Date of Patent:** **\*\* Mar. 9, 2021**

(54) **MUG WITH ROTATING CARABINER STYLE HANDLE**

(71) Applicant: **Barenthal North America, Inc.**,  
Whippany, NJ (US)  
(72) Inventor: **Hongyuan Han**, New Vernon, NJ (US)  
(\*\*) Term: **15 Years**

(21) Appl. No.: **29/670,357**  
(22) Filed: **Nov. 15, 2018**  
(51) **LOC (13) Cl.** ..... **07-01**  
(52) **U.S. Cl.**  
USPC ..... **D7/507; D7/533; D7/536**  
(58) **Field of Classification Search**  
USPC ..... D7/507, 509, 510, 511, 523, 532, 533,  
D7/536, 608, 601, 602, 392.1, 396.2, 512,  
D7/708.1, 619.1, 622, 633; D9/503, 504;  
D24/197, 199; D3/202; D8/356  
CPC ..... A47G 19/22; A47G 19/2288; A47G  
19/2205; A47G 2019/2277; A45F 3/20;  
A47J 41/02

See application file for complete search history.

(56) **References Cited**

**U.S. PATENT DOCUMENTS**

D449,968 S *	11/2001	Reed	.....	D7/622
D490,652 S *	6/2004	Xiong	.....	D7/510
D608,140 S *	1/2010	Gilbert	.....	D7/396.2
D609,054 S *	2/2010	Gilbert	.....	D7/510
D684,428 S *	6/2013	Spencer	.....	D7/536
D713,712 S *	9/2014	Beverluis	.....	D8/396
D817,154 S *	5/2018	Landrum	.....	D8/356
D846,799 S *	4/2019	Moore	.....	D27/174

**OTHER PUBLICATIONS**

[https://www.amazon.com/Stainless-carabiner-Foldable-Carabiner-handle/dp/B06ZY6S2NP/ref=psdc\\_602608\\_t1\\_B0176B9M90](https://www.amazon.com/Stainless-carabiner-Foldable-Carabiner-handle/dp/B06ZY6S2NP/ref=psdc_602608_t1_B0176B9M90) (Year: 2017).\*  
[https://www.amazon.com/Carabiner-Stainless-Double-Foster-Rye/dp/B0176B9M90/ref=sr\\_1\\_3?dchild=1&keywords=carabiner%2Bclip%2Bcup&qid=1595537839&sr=8-3&th=1](https://www.amazon.com/Carabiner-Stainless-Double-Foster-Rye/dp/B0176B9M90/ref=sr_1_3?dchild=1&keywords=carabiner%2Bclip%2Bcup&qid=1595537839&sr=8-3&th=1) (Year: 2015).\*

\* cited by examiner

*Primary Examiner* — Jae Liang  
(74) *Attorney, Agent, or Firm* — Preti Flaherty Beliveau & Pachios LLP

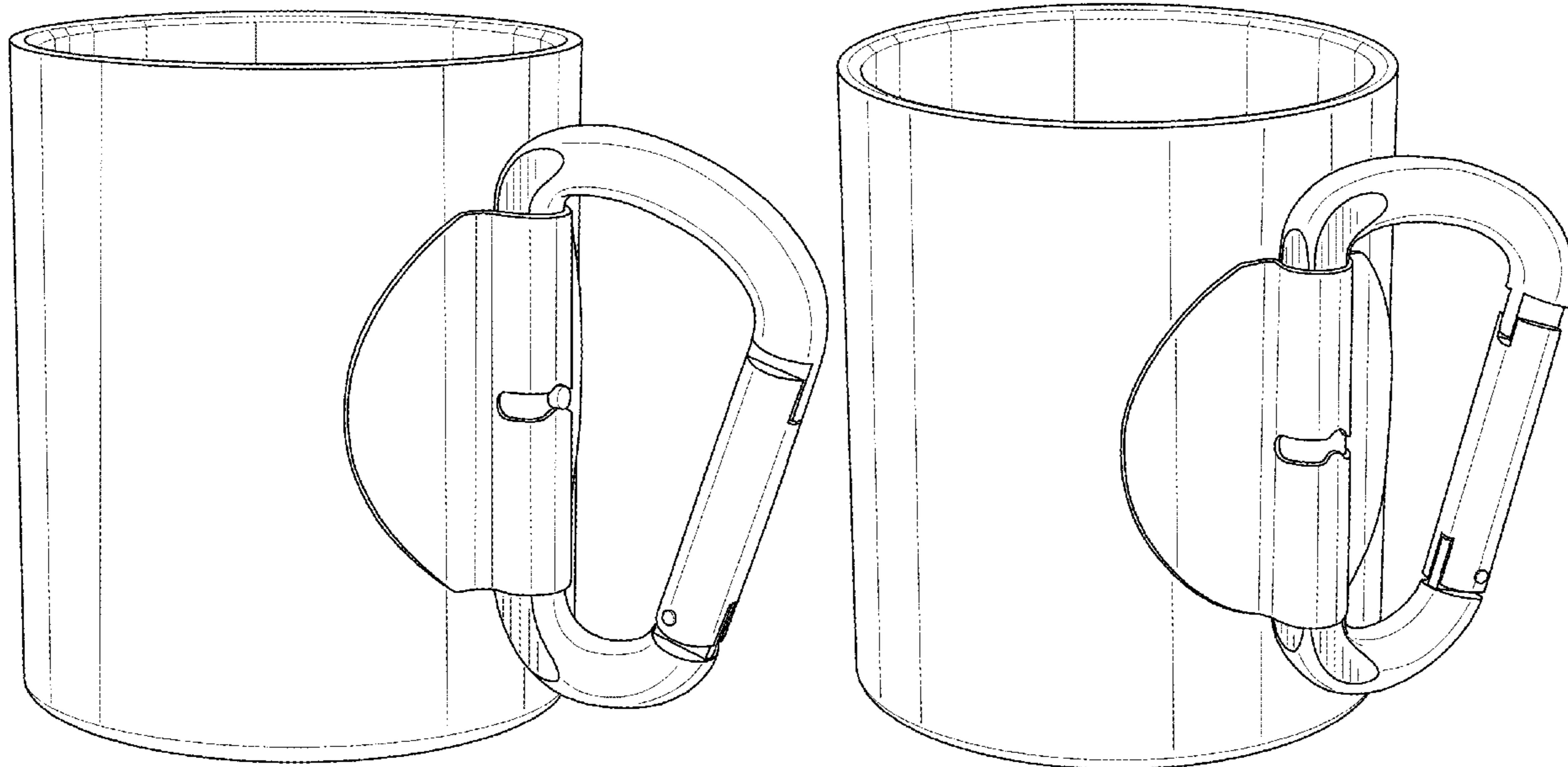
(57) **CLAIM**

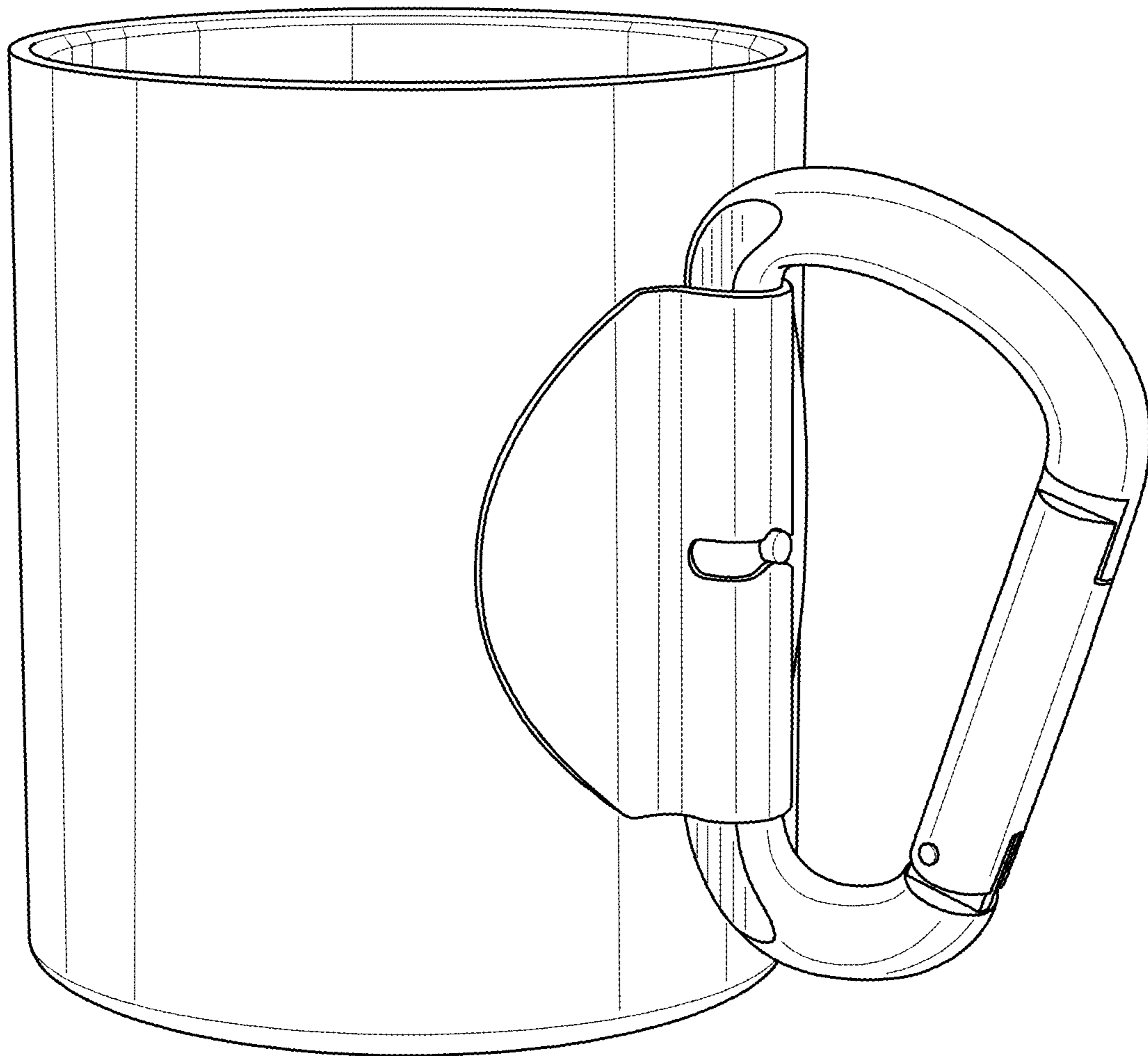
The ornamental design for a mug with a rotatable carabiner style handle, as shown and described.

**DESCRIPTION**

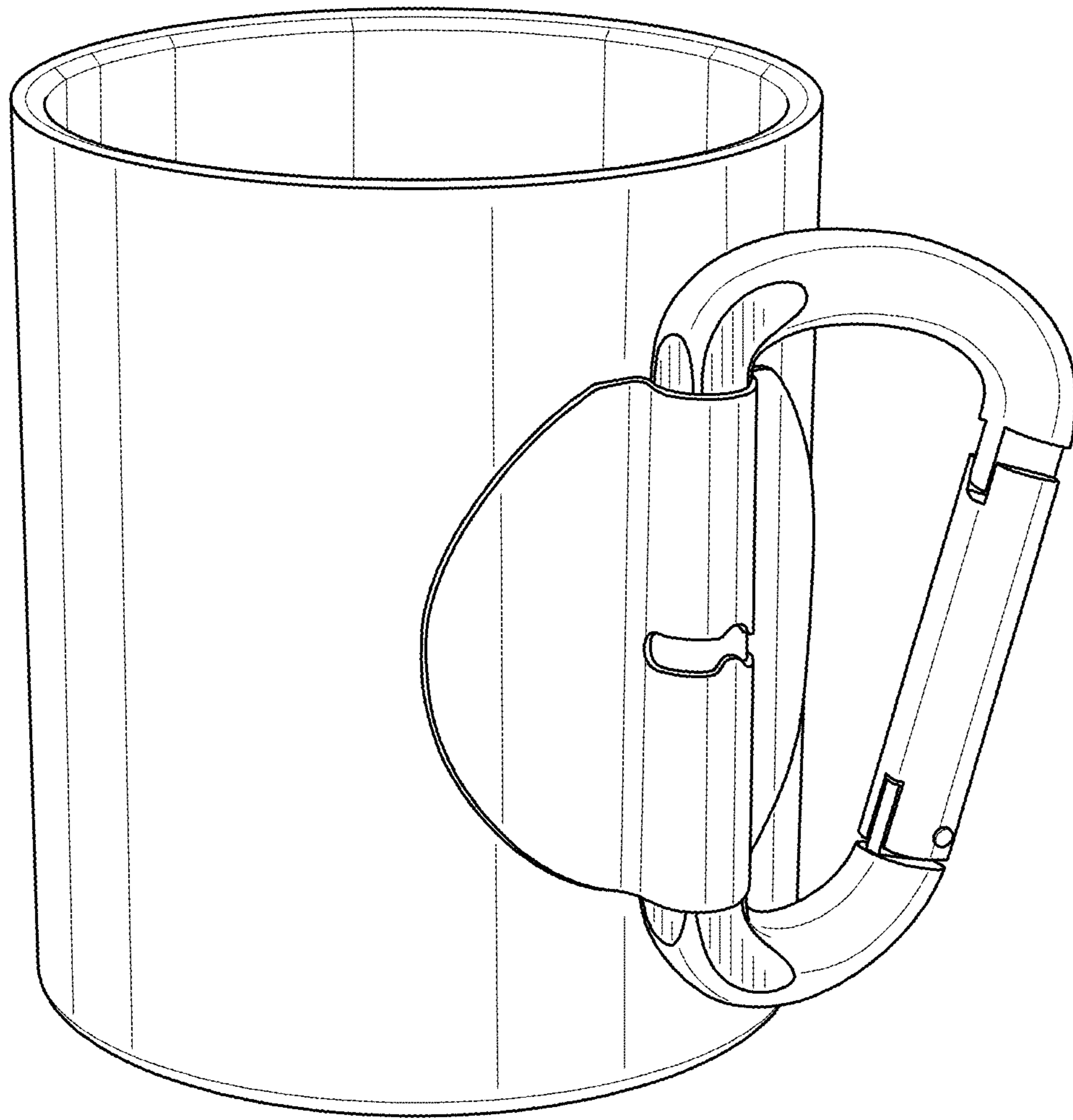
FIG. 1 is an upper-front-left perspective view of a mug according to the present invention wherein the carabiner style handle is turned outward from the surface of the mug and the post on the carabiner style handle is locked in place by the hinge;  
FIG. 2 is another upper-front-left perspective view of the mug of FIG. 1, wherein the carabiner style handle is turned to the side;  
FIG. 3 is a left view of the mug of FIG. 1 wherein the carabiner style handle is turned outward, the right view being significantly reciprocal of the left view;  
FIG. 4 is a front view of the mug of FIG. 1 wherein the carabiner style handle is turned outward;  
FIG. 5 is a rear view of the mug of FIG. 1; and,  
FIG. 6 is a bottom view of the mug of FIG. 1.

**1 Claim, 6 Drawing Sheets**

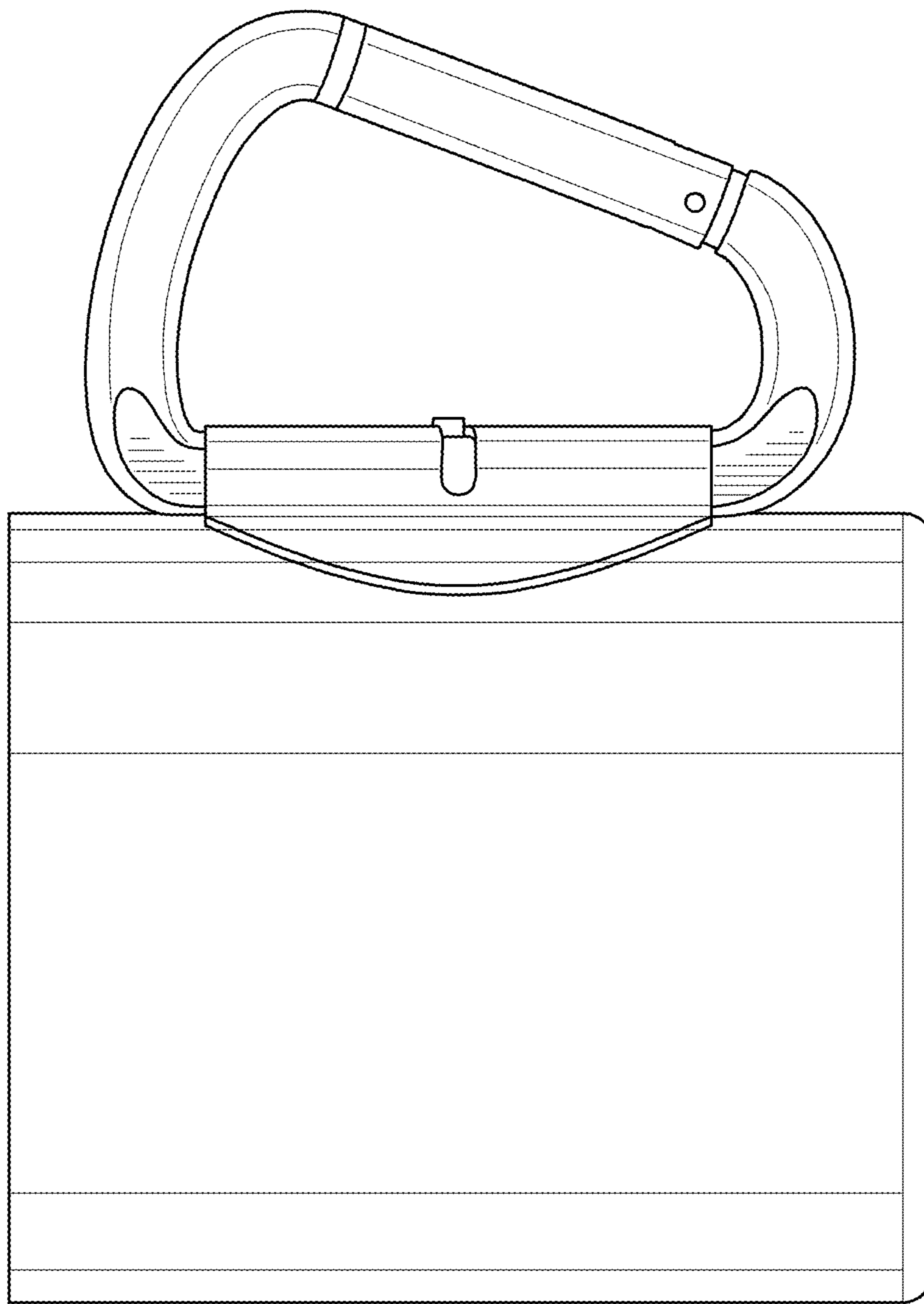




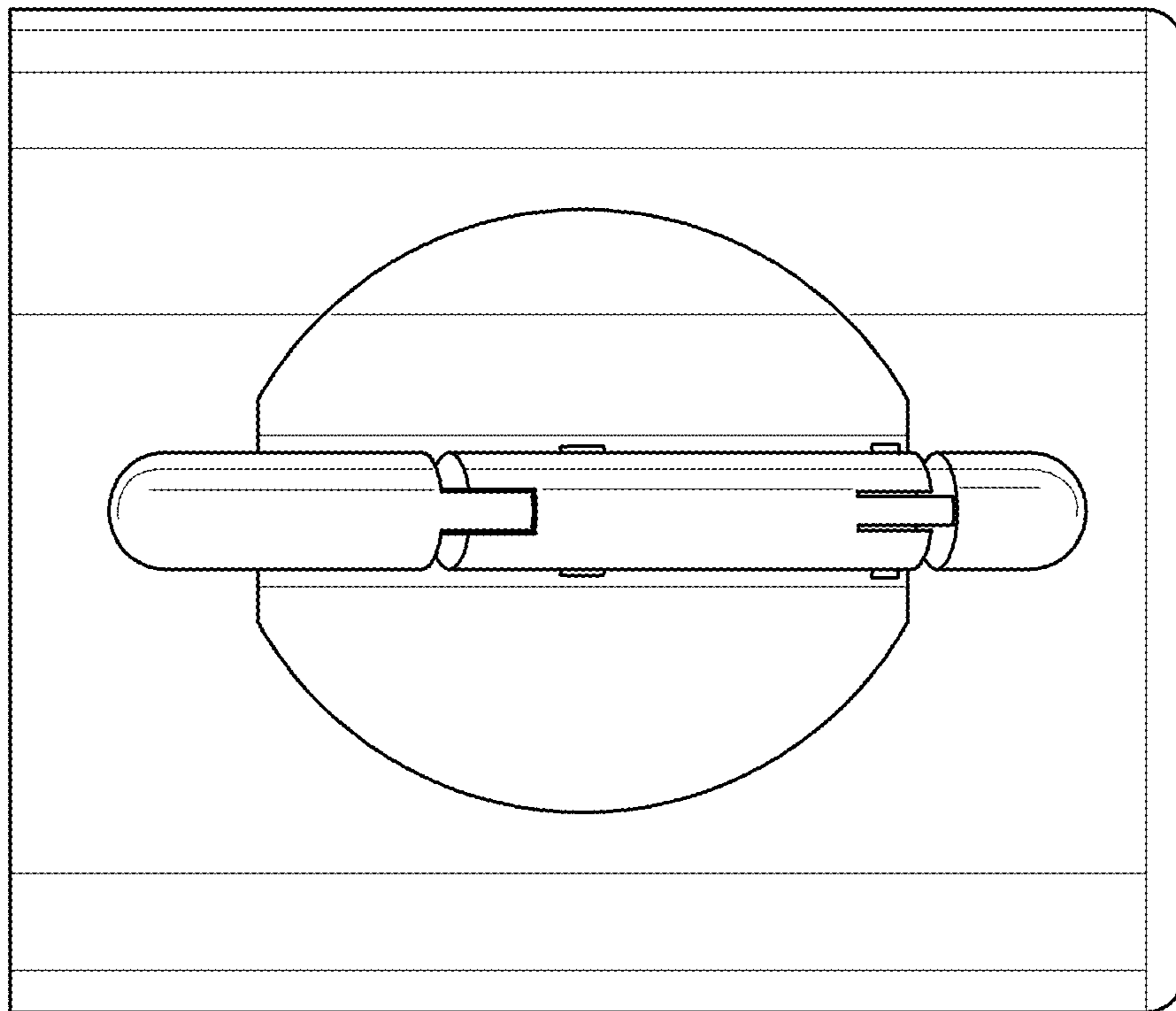
**FIG. 1**



**FIG. 2**



**FIG. 3**

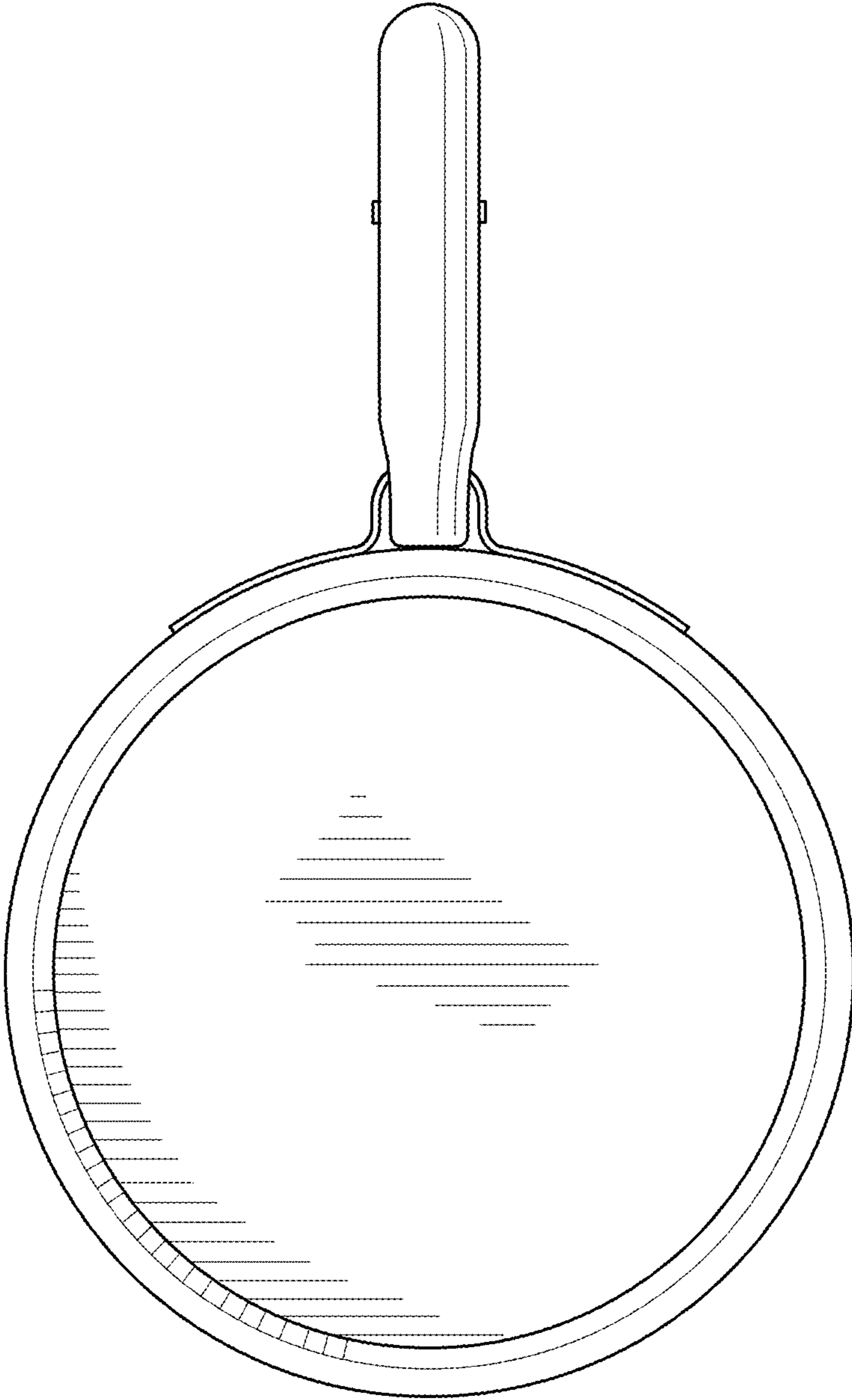


**FIG. 4**



**FIG. 5**





**FIG. 6**