



US00D912464S

(12) **United States Design Patent**
Kuo et al.

(10) **Patent No.:** **US D912,464 S**
(45) **Date of Patent:** **** Mar. 9, 2021**

(54) **BLENDER ATTACHMENT**

(71) Applicant: **Botrista Technology, Inc.**, San Mateo, CA (US)

(72) Inventors: **Wu-Chou Kuo**, Tainan (TW); **Hao-Che Hsu**, San Mateo, CA (US); **Yu-Min Lee**, New Taipei (TW)

(73) Assignee: **BOTRISTA TECHNOLOGY, INC.**, San Mateo, CA (US)

(**) Term: **15 Years**

(21) Appl. No.: **29/699,111**

(22) Filed: **Jul. 23, 2019**

(30) **Foreign Application Priority Data**

Jan. 24, 2019 (TW) 108300499

(51) **LOC (13) Cl.** **31-00**

(52) **U.S. Cl.**
USPC **D7/412; D7/376; D7/378; D7/379**

(58) **Field of Classification Search**
USPC D7/372, 376–386, 412–413, 602, 629, D7/665–666, 669, 679, 693–694; D8/70
CPC .. A01B 1/065; A21C 1/02; A21C 1/04; A23L 7/187; A23N 1/00; A23N 1/02; A47J 43/04; A47J 43/25; A47J 43/27; A47J 43/042; A47J 43/044; A47J 43/046; A47J 43/075; A47J 43/0722; A47J 43/0727; B01F 3/00; B01F 3/0807; B01F 3/0853; B01F 7/00141; B01F 7/00325; B01F 7/00583; B01F 7/00066; B01F 13/0059; B01F 13/0064; B01F 13/002; B01F 15/00201; B01F 15/00954; B01F 15/00006; B01F 15/002; B02C 1/08; B02C 2/04; B02C 4/42; B02C 4/142; B02C 4/143; B02C 4/423; B02C 13/1835; B28C 5/10; B28C 5/12; B28C 5/14; B28C 5/16

See application file for complete search history.

(56) **References Cited**

U.S. PATENT DOCUMENTS

2,505,967 A * 5/1950 Humphrey A23L 7/187
366/248
2,905,453 A * 9/1959 Wise B01F 7/00325
416/176
3,411,756 A * 11/1968 Ziegler B01F 13/002
366/251
4,054,272 A * 10/1977 Cooke B01F 7/00141
366/343
4,120,051 A * 10/1978 Lohning B01F 15/00201
366/142
5,417,493 A * 5/1995 Ericson B01F 7/00583
366/129

(Continued)

Primary Examiner — Ricky Pham

(74) *Attorney, Agent, or Firm* — Birch, Stewart, Kolasch & Birch, LLP

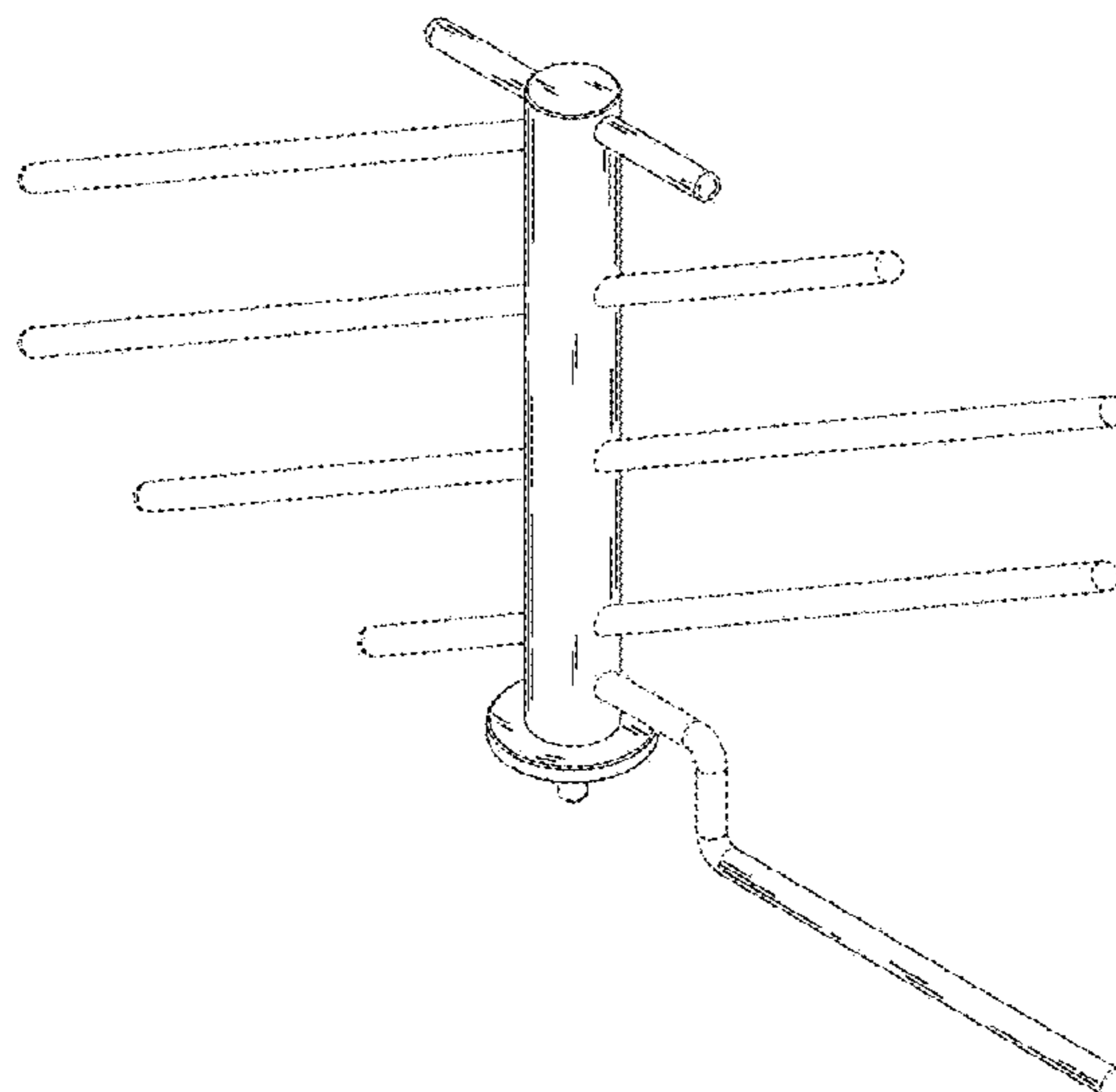
(57) **CLAIM**

The ornamental design for a blender attachment, substantially as shown and described.

DESCRIPTION

FIG. 1 is a top, front, and right side perspective view of a blender attachment showing the new design;
FIG. 2 is a front view thereof;
FIG. 3 is a rear view thereof;
FIG. 4 is a left side view thereof;
FIG. 5 is a right side view thereof;
FIG. 6 is a top view thereof;
FIG. 7 is a bottom view thereof; and,
FIG. 8 is a bottom, rear, and left side perspective view thereof.
Features shown in broken lines in the drawings form no part of the claimed design.

1 Claim, 8 Drawing Sheets



(56)

References Cited

U.S. PATENT DOCUMENTS

5,909,778 A * 6/1999 Acosta A01B 1/065
172/111
5,941,636 A * 8/1999 Lu B01F 7/00066
366/249
6,863,430 B2 * 3/2005 Berube B01F 13/002
366/129
D576,007 S * 9/2008 Murdock D8/70
7,578,611 B2 * 8/2009 Hamilton B01F 15/00954
366/129
10,625,227 B2 * 4/2020 Brandt B01F 15/00006

* cited by examiner

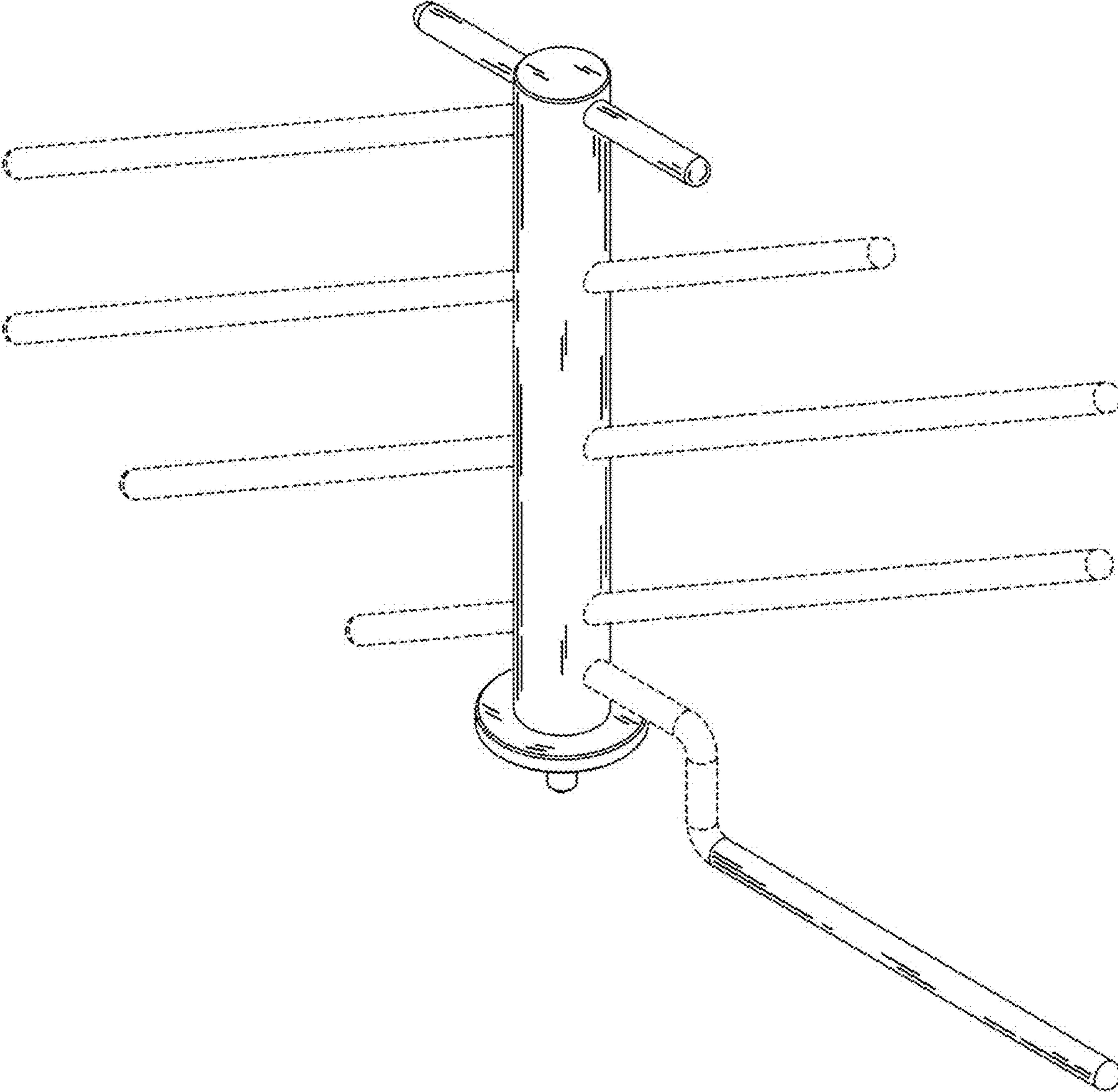


FIG. 1

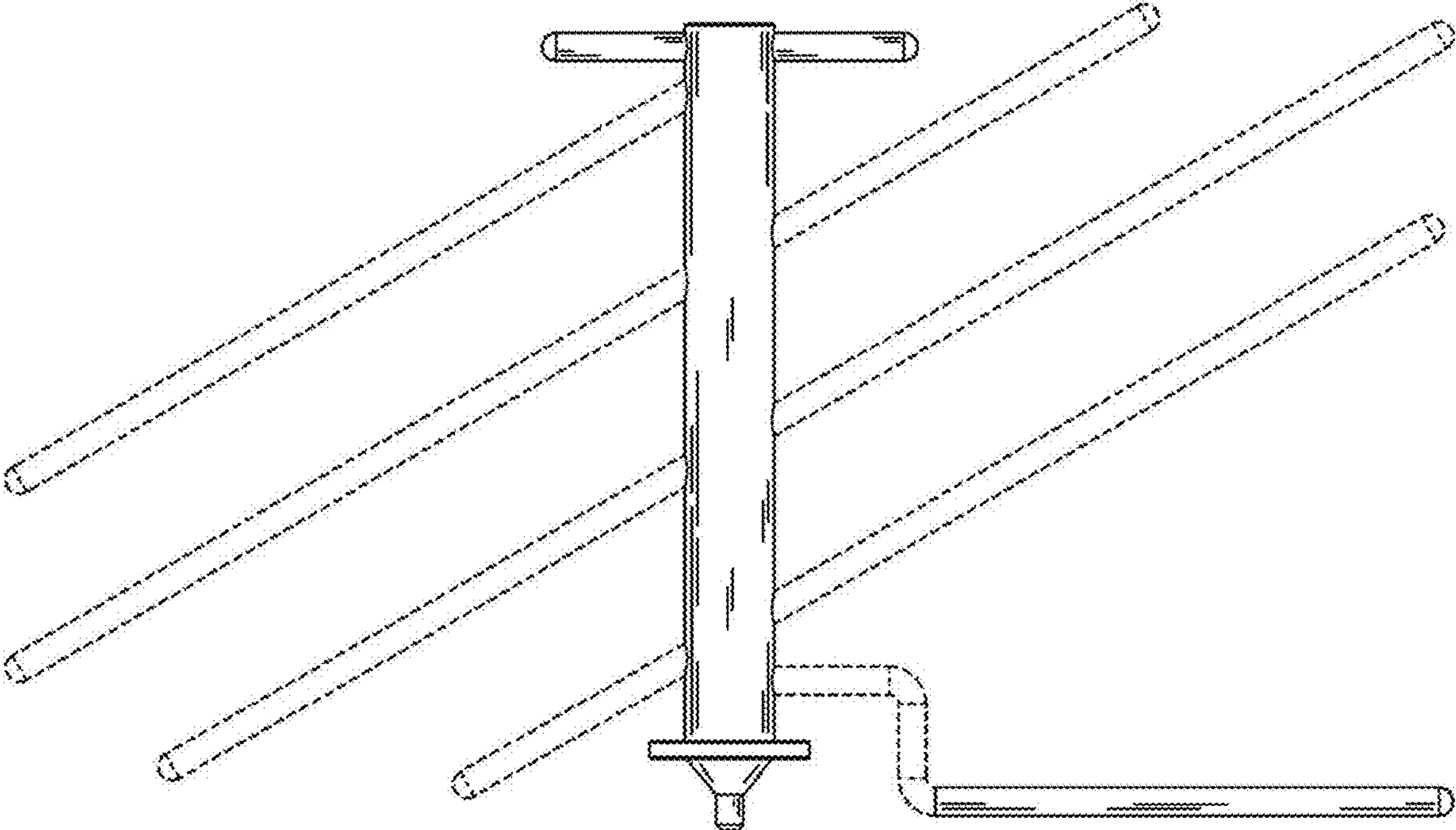


FIG. 2

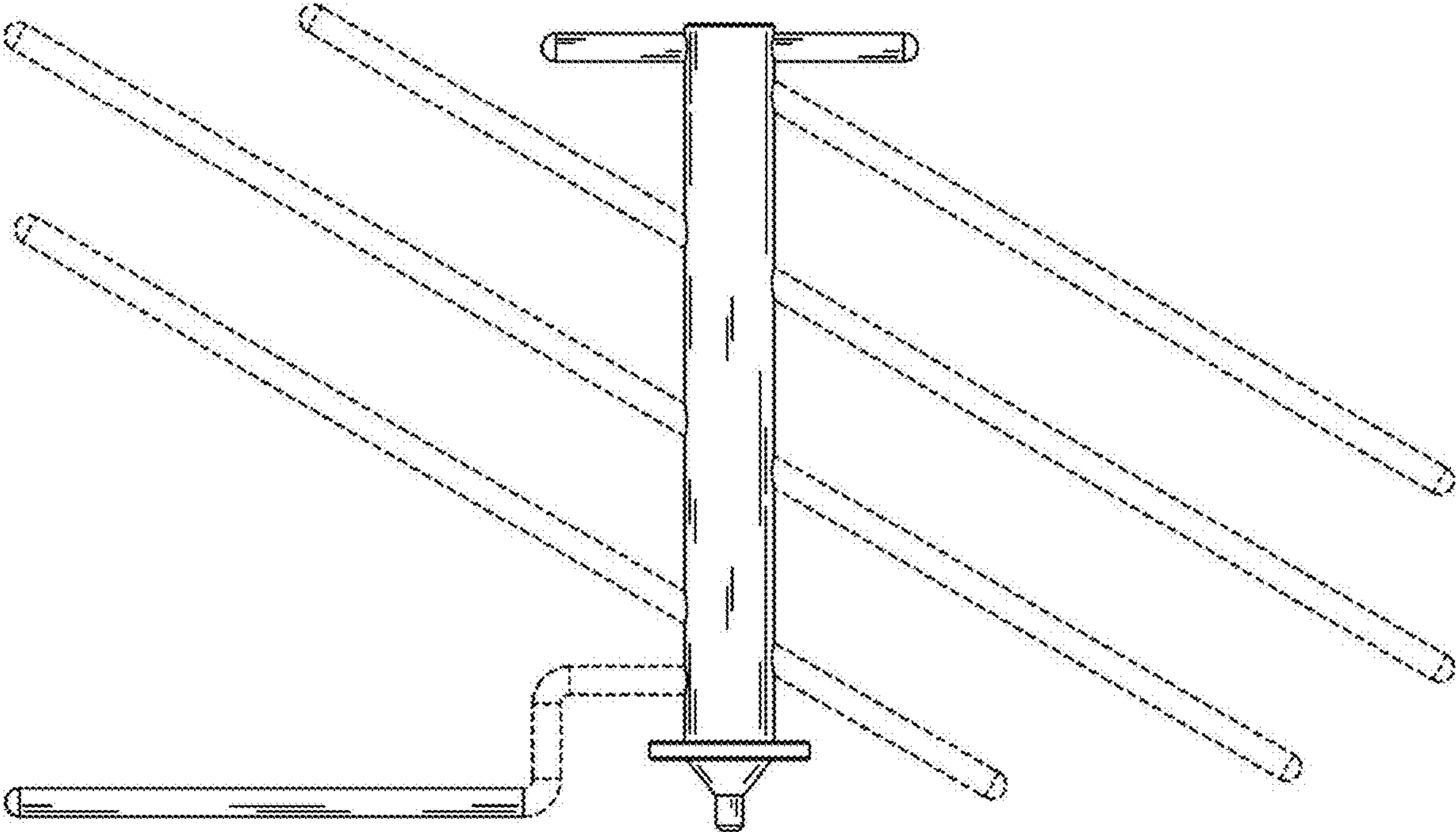


FIG. 3

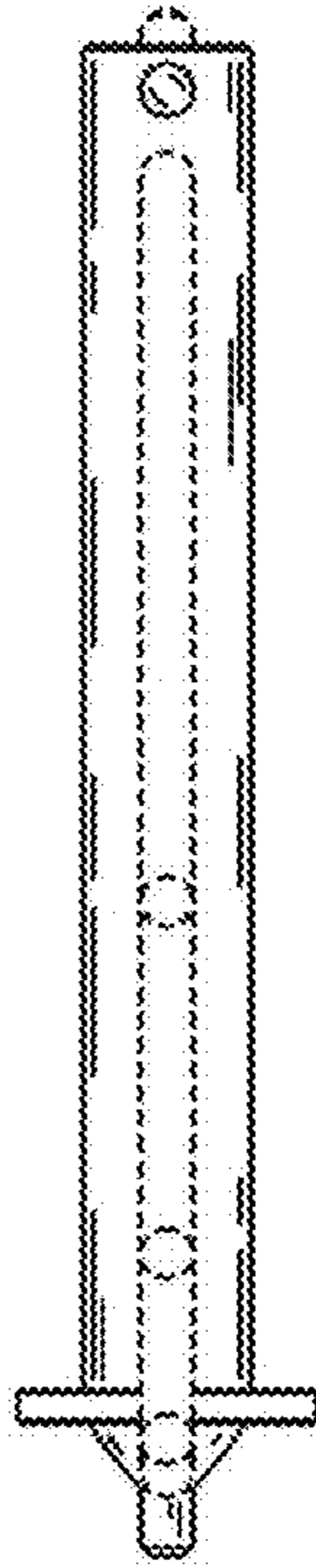


FIG. 4

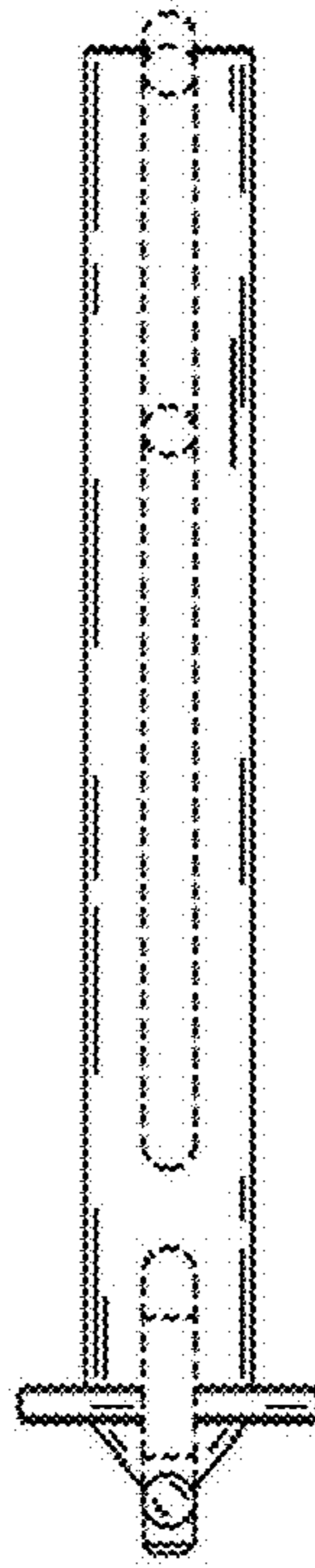


FIG. 5

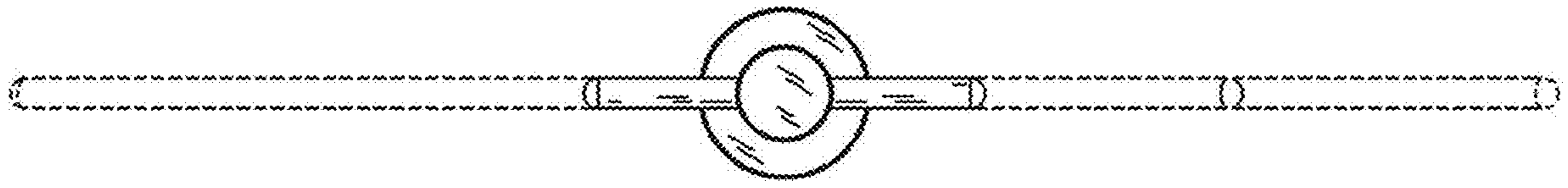


FIG. 6

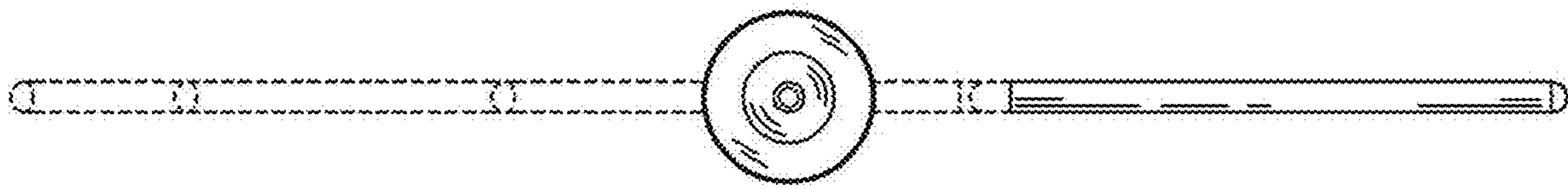


FIG. 7

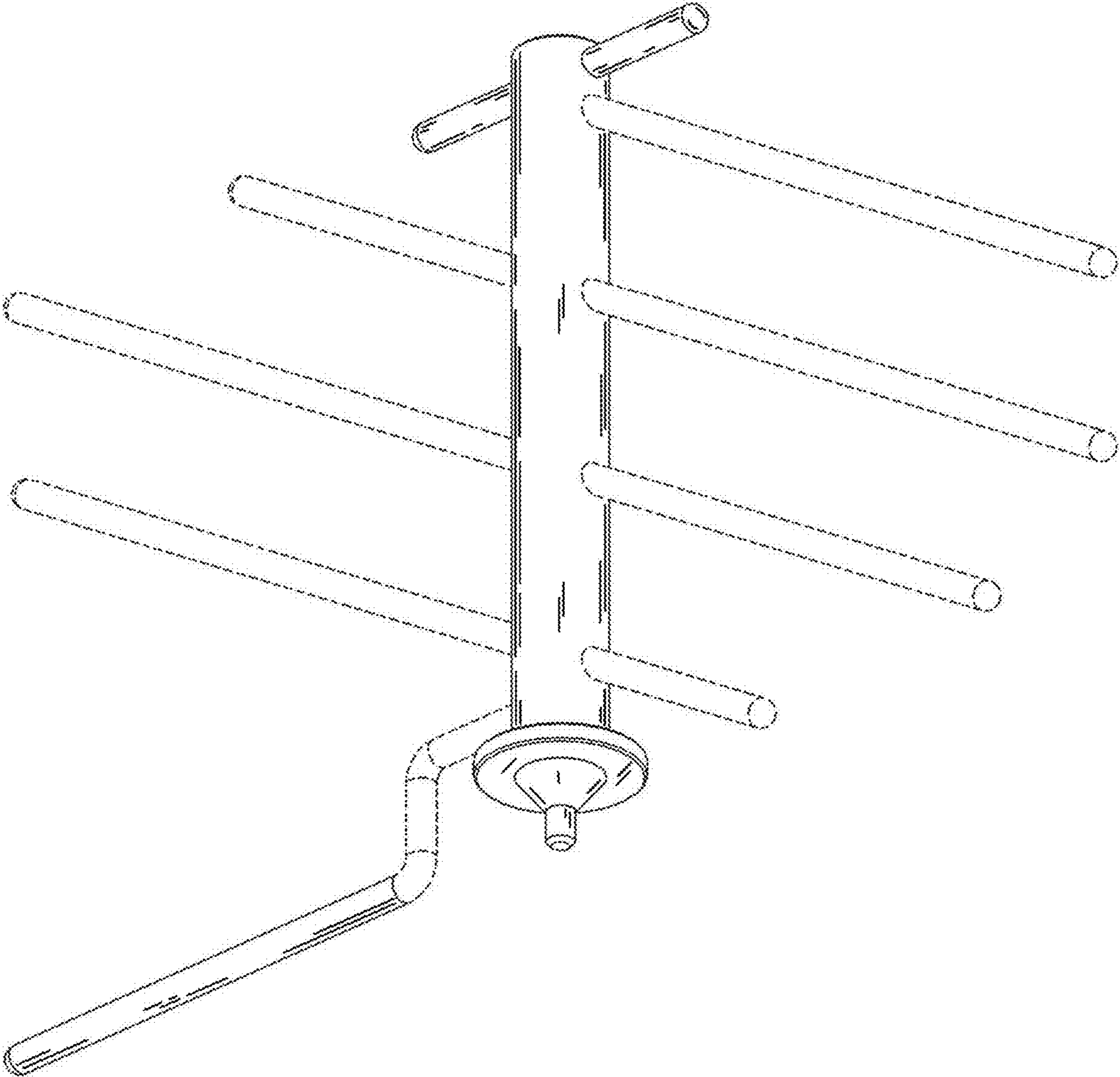


FIG. 8