



US00D912463S

(12) **United States Design Patent** (10) **Patent No.:** **US D912,463 S**
Dai (45) **Date of Patent:** **** Mar. 9, 2021**

(54) **UTENSIL SET HANDLE**

(71) Applicant: **ShenZhen YiHong E-Commerce Co., LTD**, ShenZhen (CN)

(72) Inventor: **Yi Dai**, ShenZhen (CN)

(73) Assignee: **ShenZhen YiHong E-Commerce CO., LTD**, ShenZhen (CN)

(**) Term: **15 Years**

(21) Appl. No.: **29/751,431**

(22) Filed: **Sep. 21, 2020**

(51) **LOC (13) Cl.** **07-03**

(52) **U.S. Cl.**

USPC **D7/401.2; D7/642; D7/653**

(58) **Field of Classification Search**

USPC **D4/120; D7/395, 368, 401.2, 642-647, D7/653-664, 669, 675-677, 683,**

(Continued)

(56) **References Cited**

U.S. PATENT DOCUMENTS

D301,533 S * 6/1989 Zimmerman D7/647

D306,115 S * 2/1990 Zimmerman D7/669

(Continued)

OTHER PUBLICATIONS

KitchenAid KO004OHOBBA Gourmet Nylon Slotted Spoon. Date First Available on Amazon Jun. 27, 2019 <https://www.amazon.com/dp/B07TLNSYSC/> (Year: 2019).*

(Continued)

Primary Examiner — Ricky Pham

(74) *Attorney, Agent, or Firm* — iPA & iPM

(57) **CLAIM**

The ornamental design for a utensil set handle, as shown and described.

DESCRIPTION

FIG. 1 is a first perspective view of a utensil set showing my new design, the utensil set comprises a solid serving spoon,

a slotted serving spoon, a ladle, a handheld strainer, a slotted pasta server, a first slotted turner, a second slotted turner, and a solid turner;

FIG. 2 is a perspective view of the solid serving spoon;

FIG. 3 is a top view thereof;

FIG. 4 is a right side view thereof;

FIG. 5 is a left side view thereof;

FIG. 6 is a bottom view thereof;

FIG. 7 is a front view thereof; and

FIG. 8 is a back view thereof;

FIG. 9 is a perspective view of the slotted serving spoon;

FIG. 10 is a top view thereof;

FIG. 11 is a right side view thereof;

FIG. 12 is a bottom view thereof;

FIG. 13 is a left side view thereof;

FIG. 14 is a front view thereof; and

FIG. 15 is a back view thereof;

FIG. 16 is a perspective view of the ladle;

FIG. 17 is a top view thereof;

FIG. 18 is a right side view thereof;

FIG. 19 is a left side view thereof;

FIG. 20 is a bottom view thereof;

FIG. 21 is a front view thereof; and

FIG. 22 is a back view thereof;

FIG. 23 is a perspective view of the handheld strainer;

FIG. 24 is a top view thereof;

FIG. 25 is a right side view thereof;

FIG. 26 is a left side view thereof;

FIG. 27 is a bottom view thereof;

FIG. 28 is a front view thereof; and

FIG. 29 is a back view thereof;

FIG. 30 is a perspective view of the solid turner;

FIG. 31 is a top view thereof;

FIG. 32 is a right side view thereof;

FIG. 33 is a left side view thereof;

FIG. 34 is a bottom view thereof;

FIG. 35 is a front view thereof; and

FIG. 36 is a back view thereof;

FIG. 37 is a perspective view of the second slotted turner;

FIG. 38 is a top view thereof;

FIG. 39 is a right side view thereof;

FIG. 40 is a left side view thereof;

FIG. 41 is a bottom view thereof;

FIG. 42 is a front view thereof; and

(Continued)

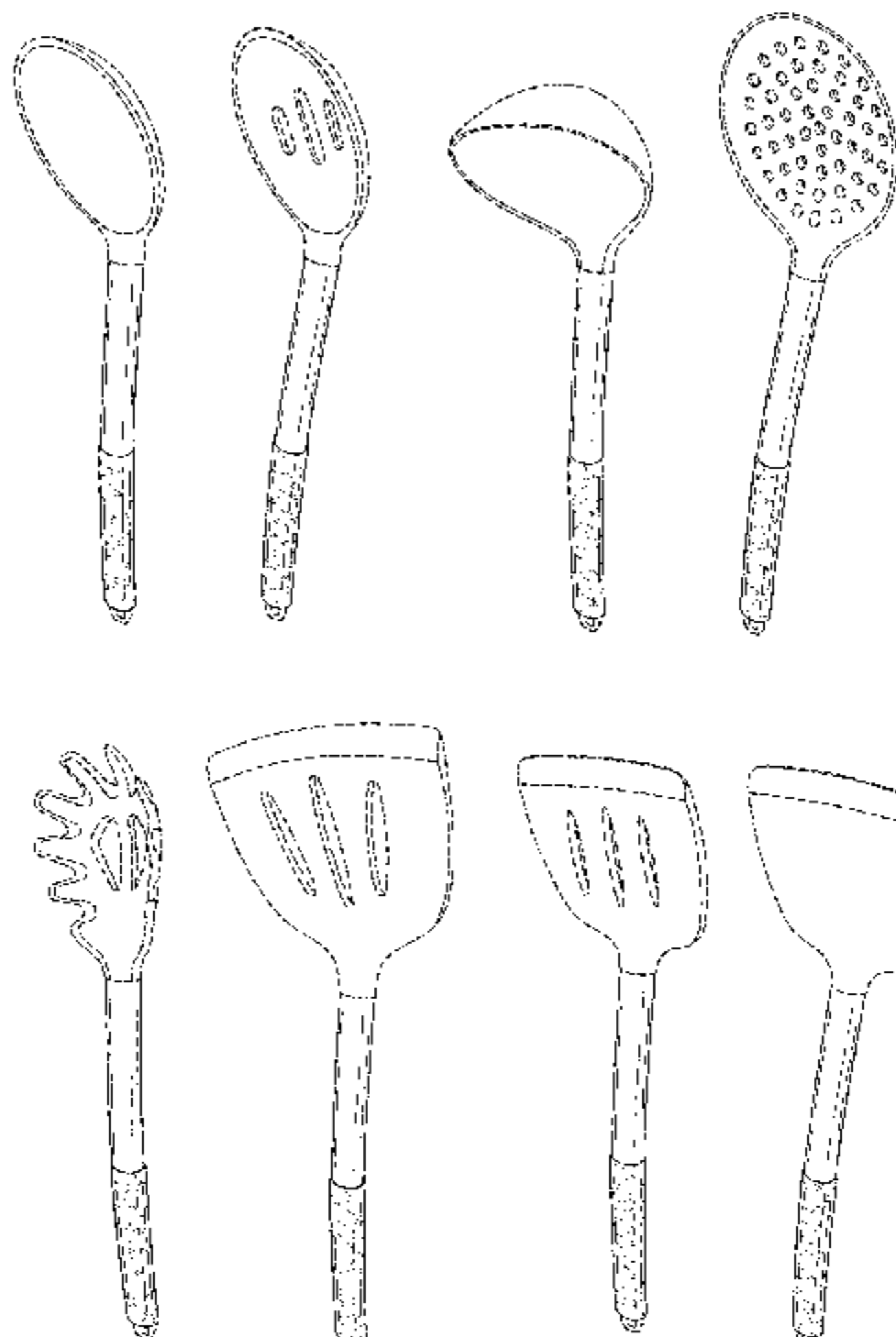


FIG. 43 is a back view thereof;
 FIG. 44 is a perspective view of the first slotted turner;
 FIG. 45 is a top view thereof;
 FIG. 46 is a right side view thereof;
 FIG. 47 is a left side view thereof;
 FIG. 48 is a bottom view thereof;
 FIG. 49 is a front view thereof; and
 FIG. 50 is a back view thereof;
 FIG. 51 is a perspective view of the slotted pasta server;
 FIG. 52 is a top view thereof;
 FIG. 53 is a right side view thereof;
 FIG. 54 is a left side view thereof;
 FIG. 55 is a bottom view thereof;
 FIG. 56 is a front view thereof; and,
 FIG. 57 is a back view thereof.
 Drawings are shaded to indicate contrasting surfaces. Broken lines are for illustration purpose only and form no part of the claimed design.

1 Claim, 9 Drawing Sheets

(58) **Field of Classification Search**

USPC D7/688–689, 691–692; D8/107,
 D8/300–301; D22/117–118
 CPC ... A01D 9/02; A01D 9/04; A01D 9/06; A47G
 21/00; A47G 21/004; A47G 21/005;
 A47G 21/02; A47G 21/023; A47G 21/04;
 A47G 21/06; A47G 21/08; A47J 43/28;
 A47J 43/281; A47J 43/282; A61F 13/10;
 A61J 7/0023; B25G 1/00; B25G 1/01;

B25G 1/02; B25G 3/00; B65D 75/56;
 B65D 75/563; B65D 75/566; B67B 7/00;
 B67B 7/724; B67B 7/73

See application file for complete search history.

(56)

References Cited

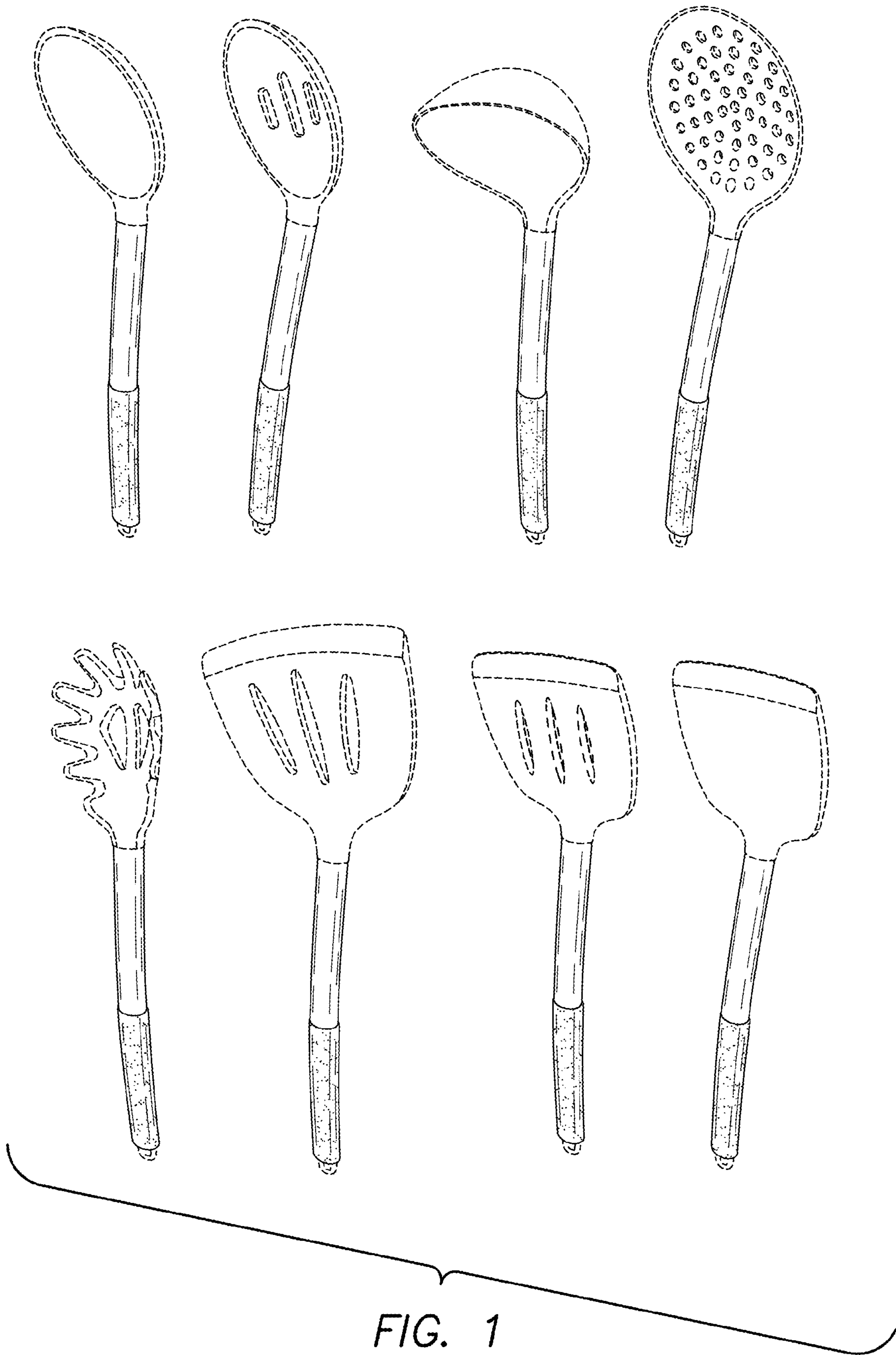
U.S. PATENT DOCUMENTS

D477,192	S	*	7/2003	Bull	D7/692
D528,874	S		9/2006	Iacchetti et al.		
D546,132	S		7/2007	Dombal		
D578,826	S	*	10/2008	Lu	D7/395
D588,420	S	*	3/2009	Waldman	D7/647
D650,219	S	*	12/2011	Lu	D7/401.2
D702,996	S	*	4/2014	Zemel	D7/395
D753,965	S	*	4/2016	Schuler	D7/692
D767,348	S		9/2016	deBretton Gordon et al.		
D778,106	S		2/2017	Keating		
D794,400	S		8/2017	Young		
D858,183	S	*	9/2019	Thun	D7/395
D865,459	S		11/2019	Webb		
D866,985	S	*	11/2019	Zemel	D4/120
D869,899	S	*	12/2019	Knittig	F21V 33/0084 D7/395
D895,381	S	*	9/2020	Aasness	D7/682

OTHER PUBLICATIONS

Anolon SureGrip Stainless Steel Meat Fork/Kitchen Tool. Date First Available on Amazon Jun. 29, 2016 <https://www.amazon.com/Anolon-Stainless-Steel-13-25-Inch-Gadgets/dp/B01EYJM1WC> (Year: 2016).*

* cited by examiner



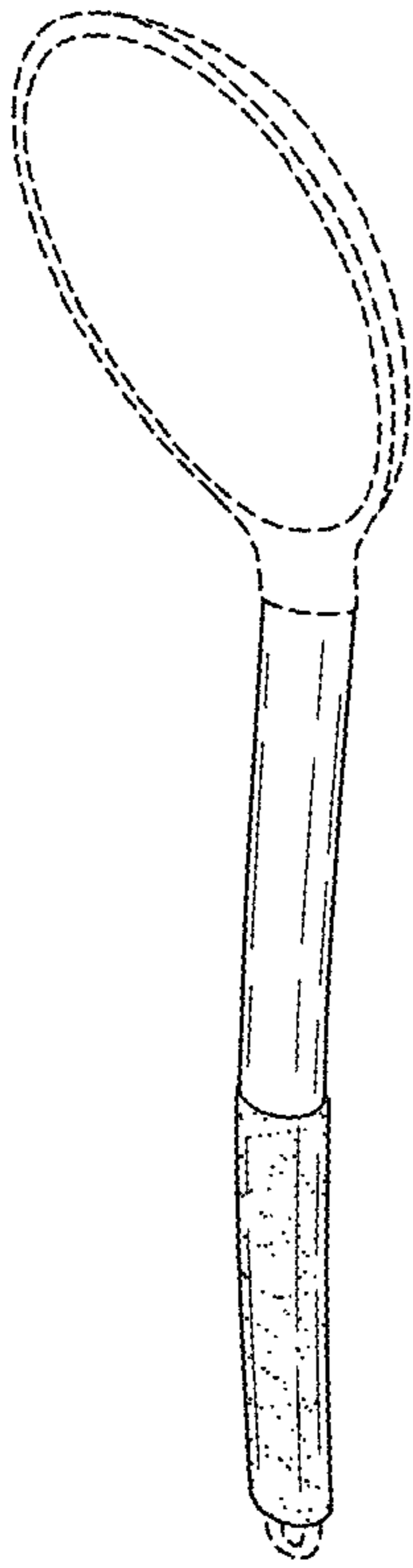


FIG. 2

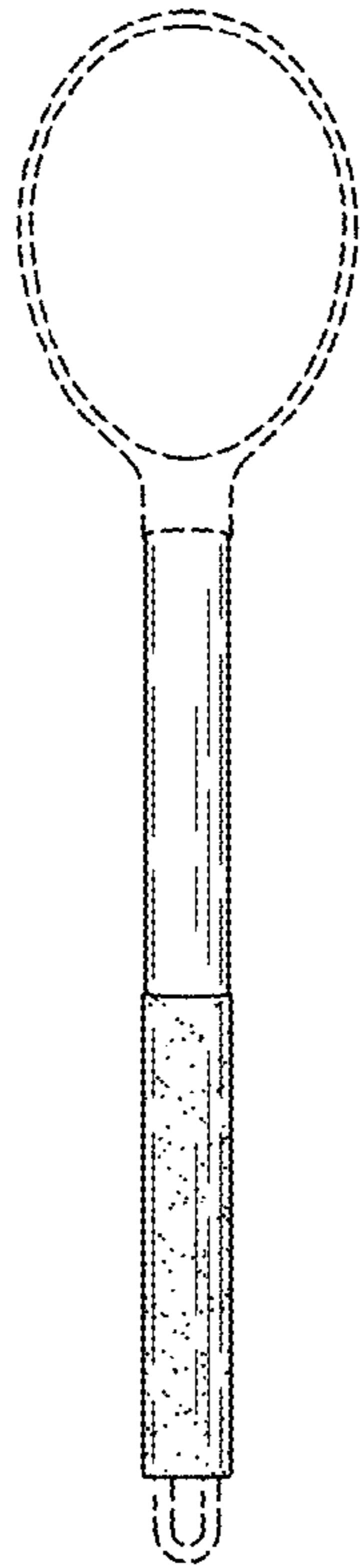


FIG. 3



FIG. 4



FIG. 5

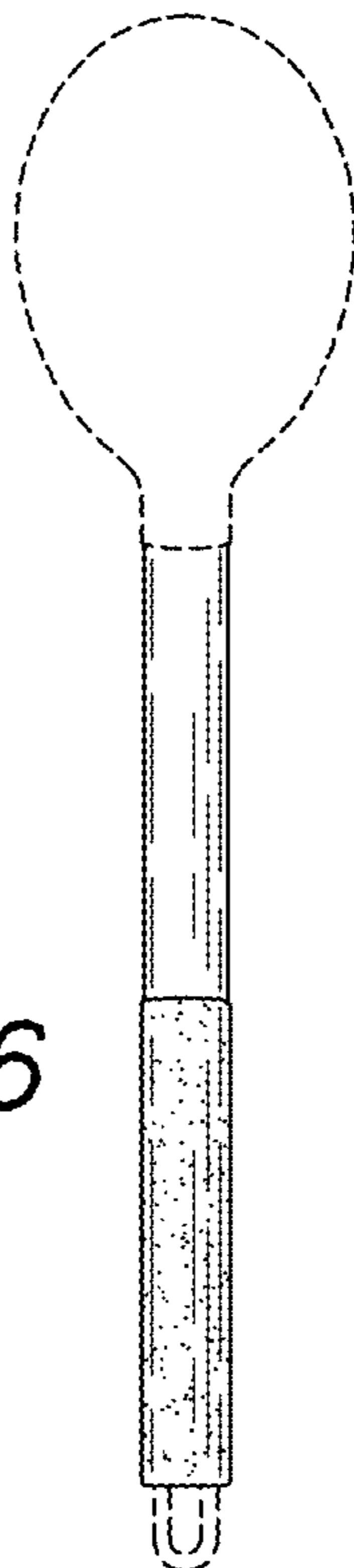


FIG. 6

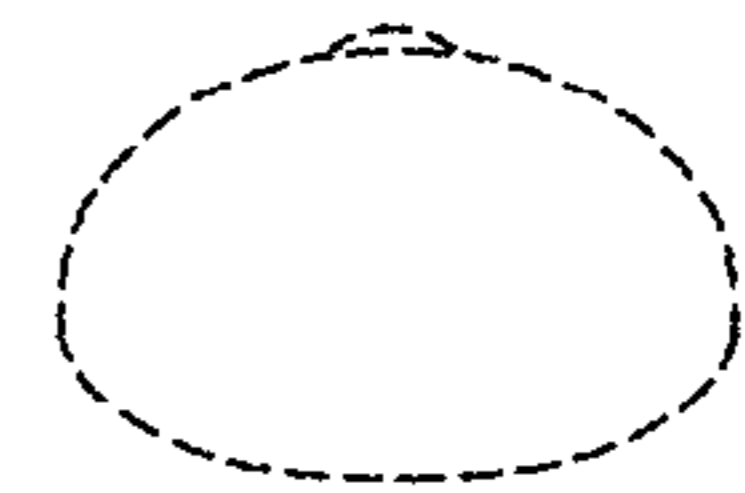


FIG. 7

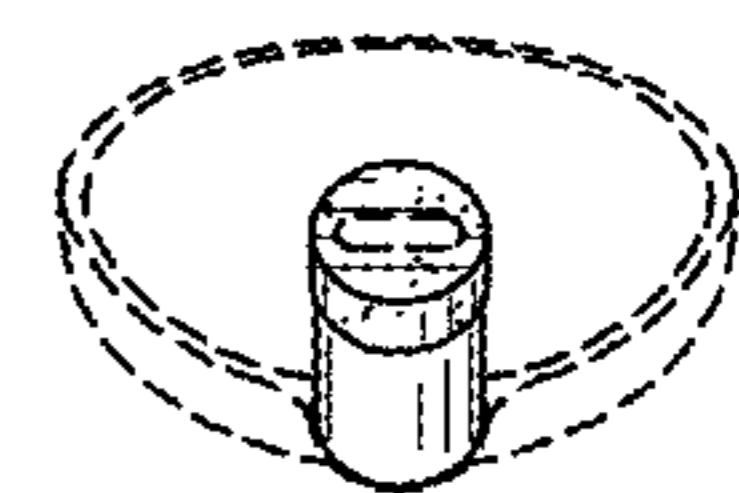


FIG. 8

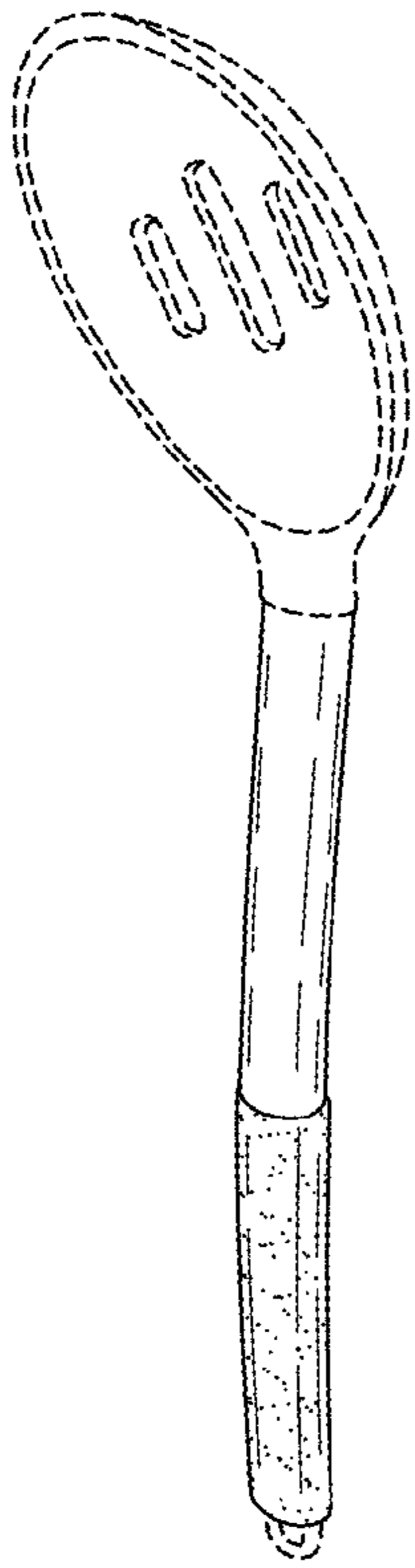


FIG. 9

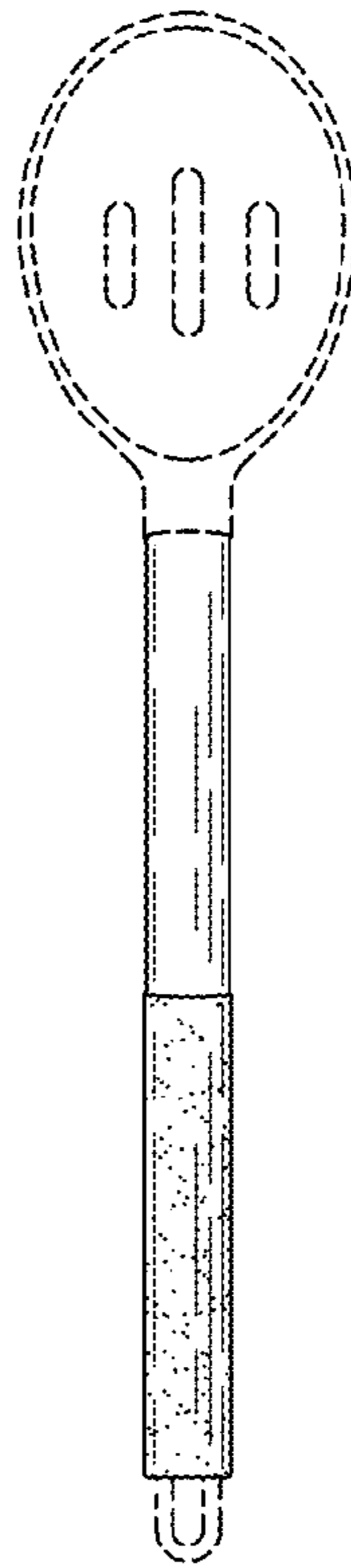


FIG. 10



FIG. 11

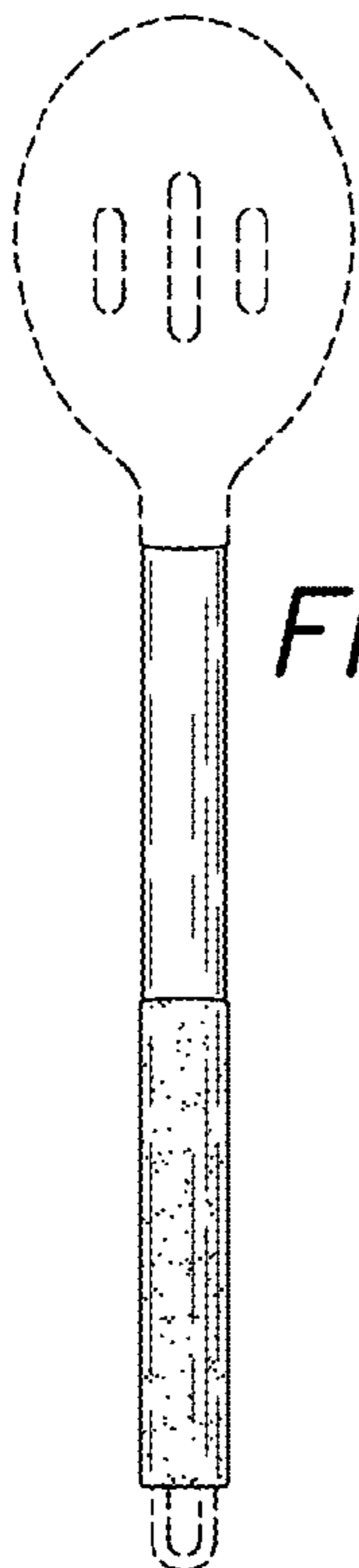


FIG. 12

FIG. 13

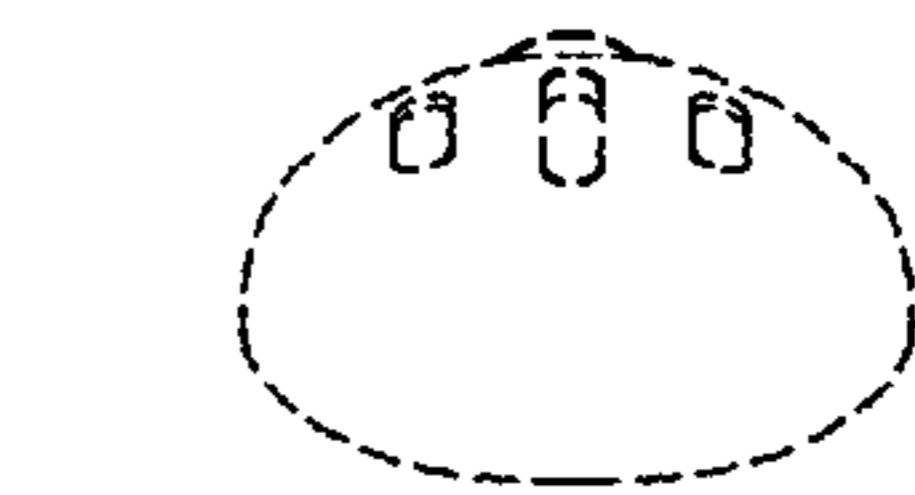
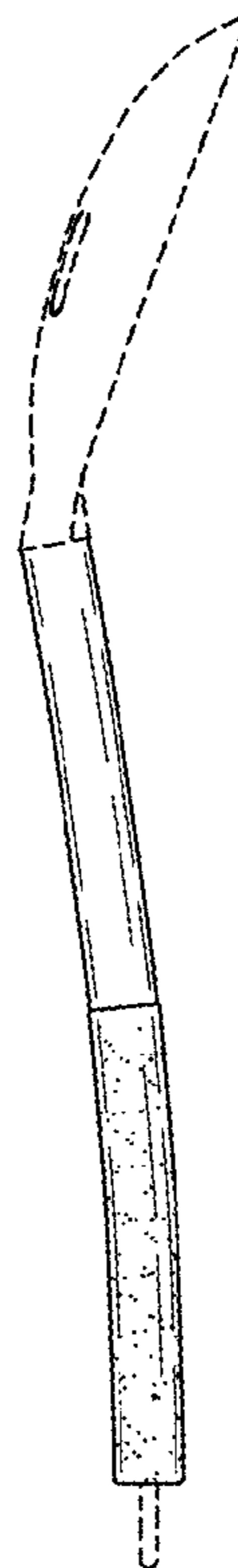


FIG. 14

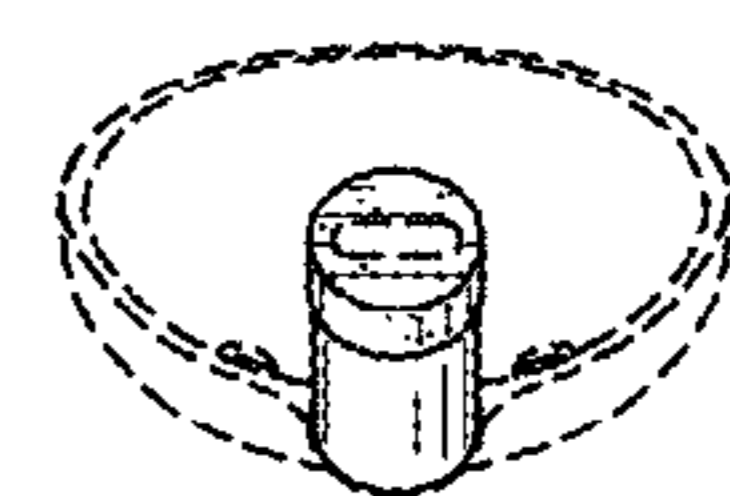


FIG. 15

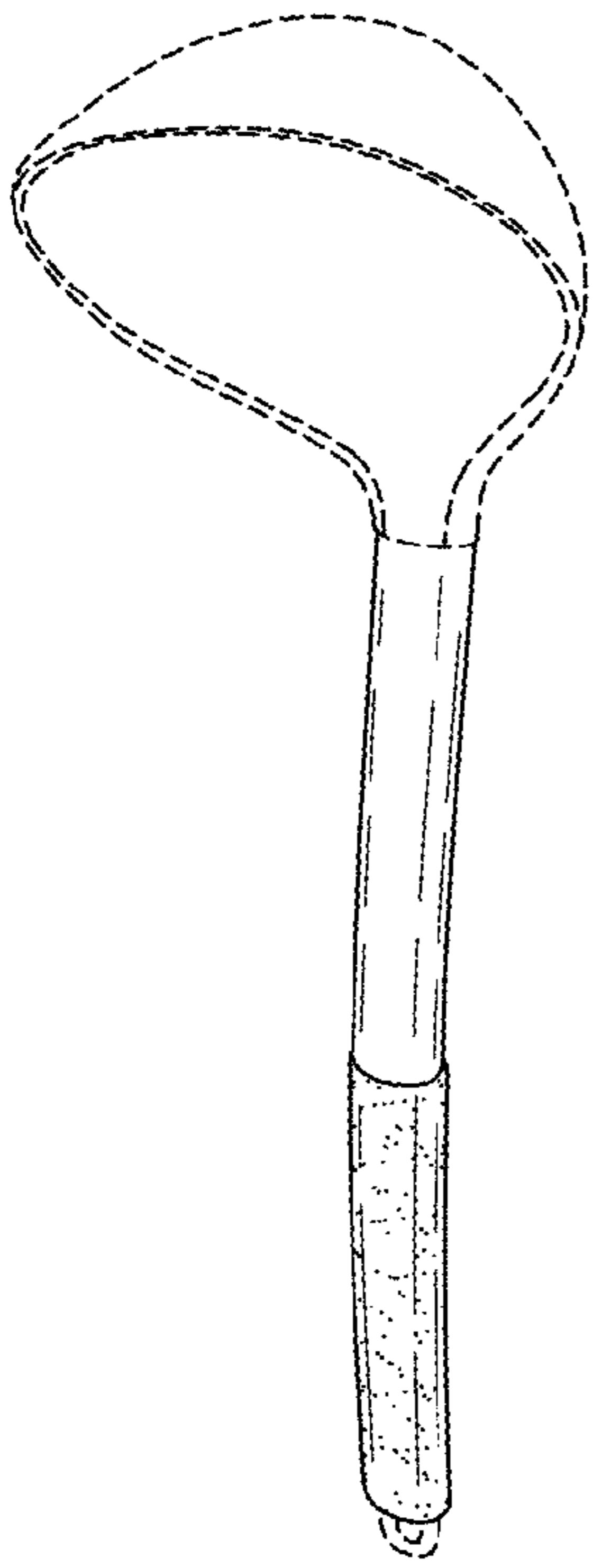


FIG. 16

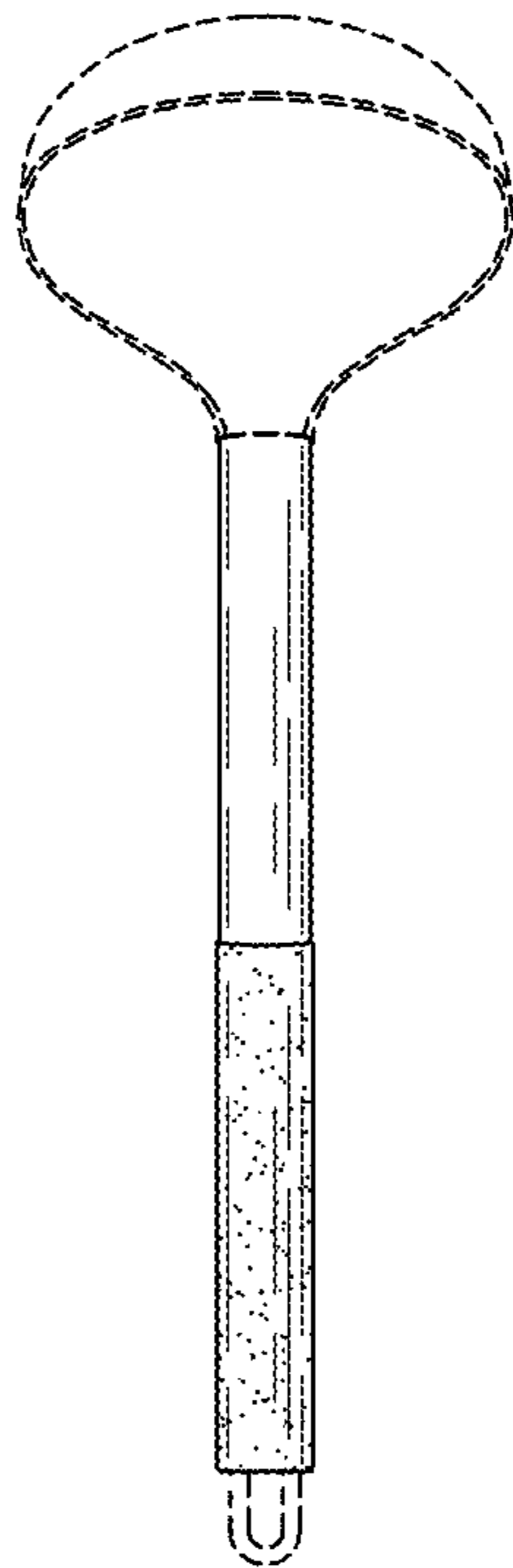


FIG. 17

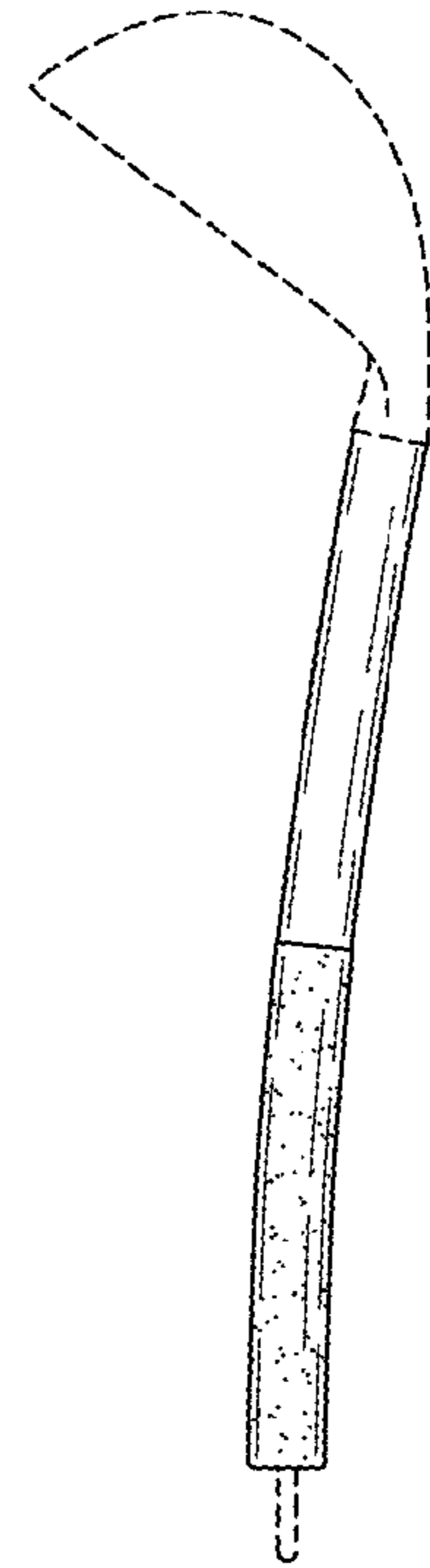


FIG. 18

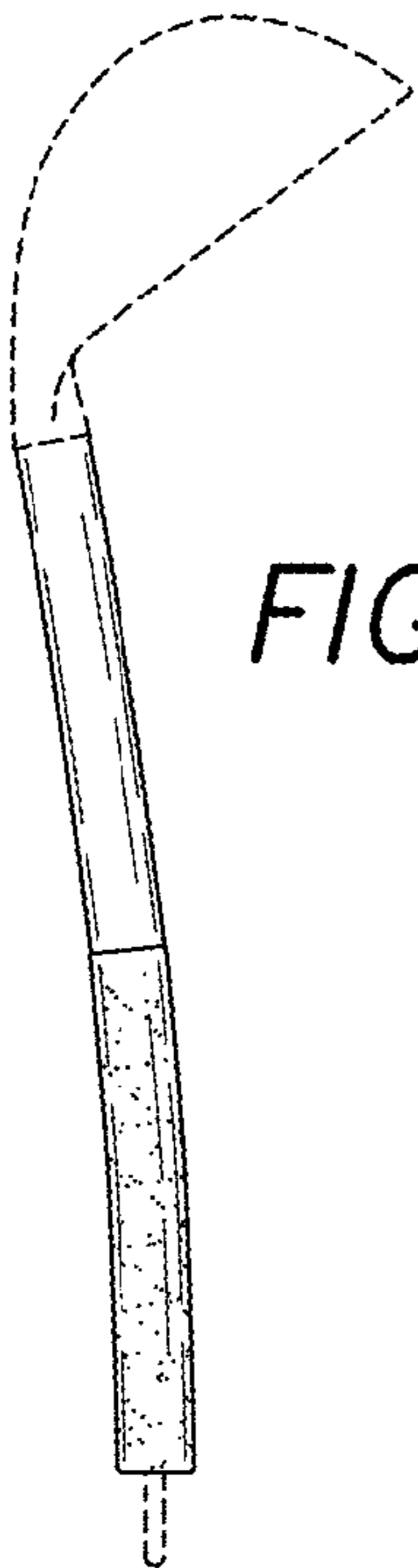


FIG. 19

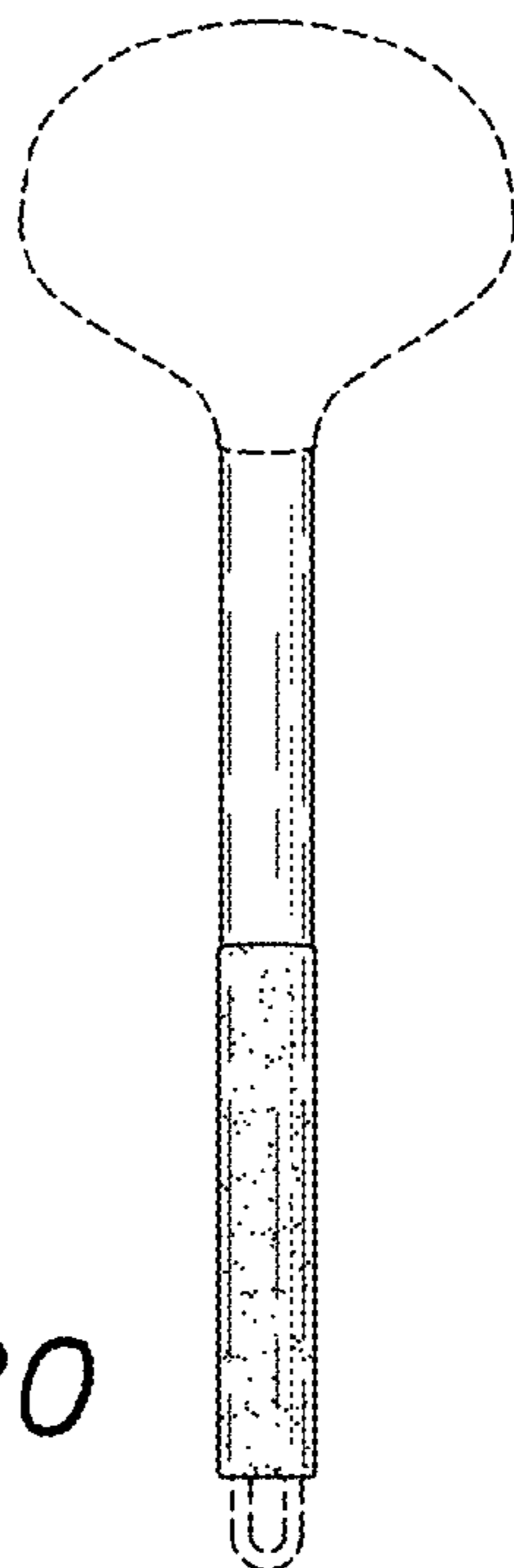


FIG. 20

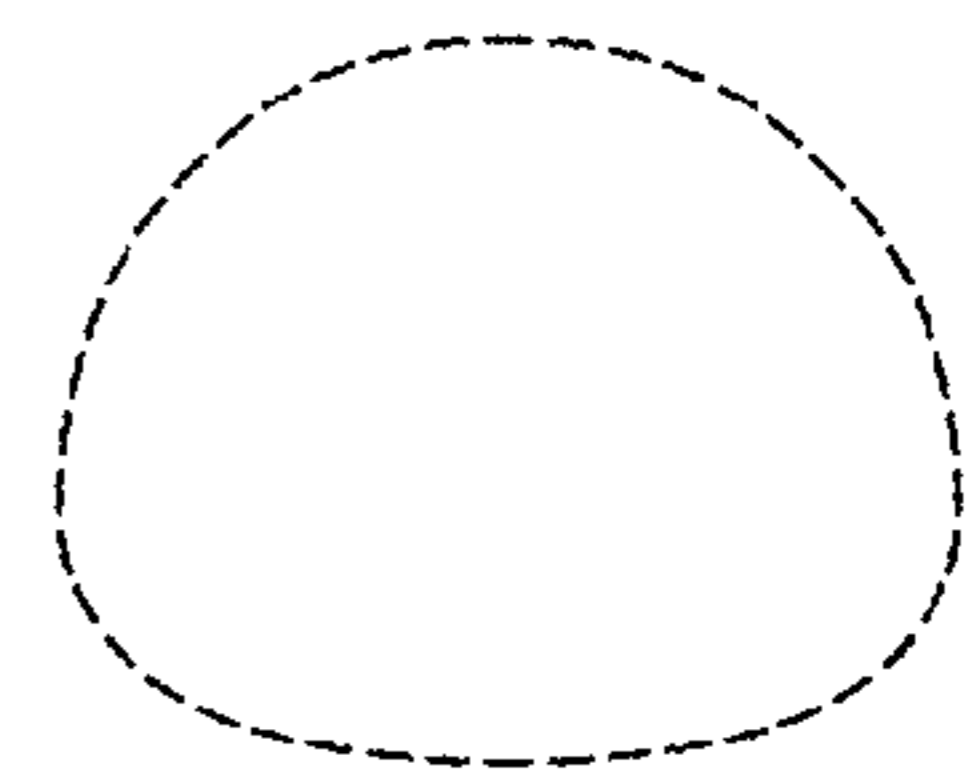


FIG. 21

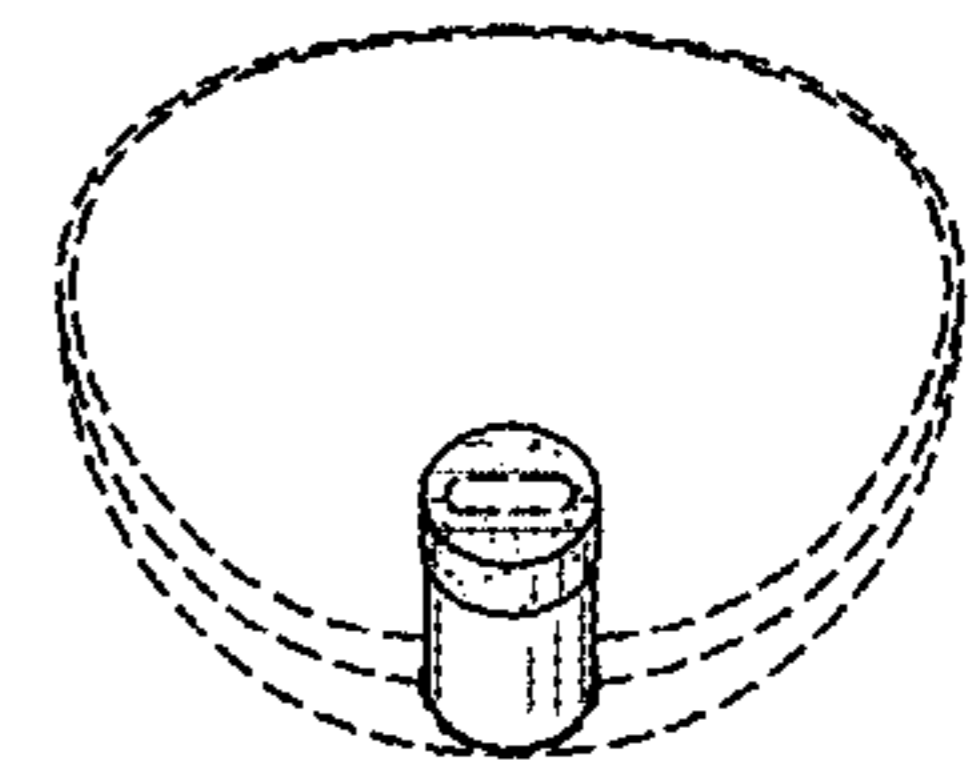


FIG. 22

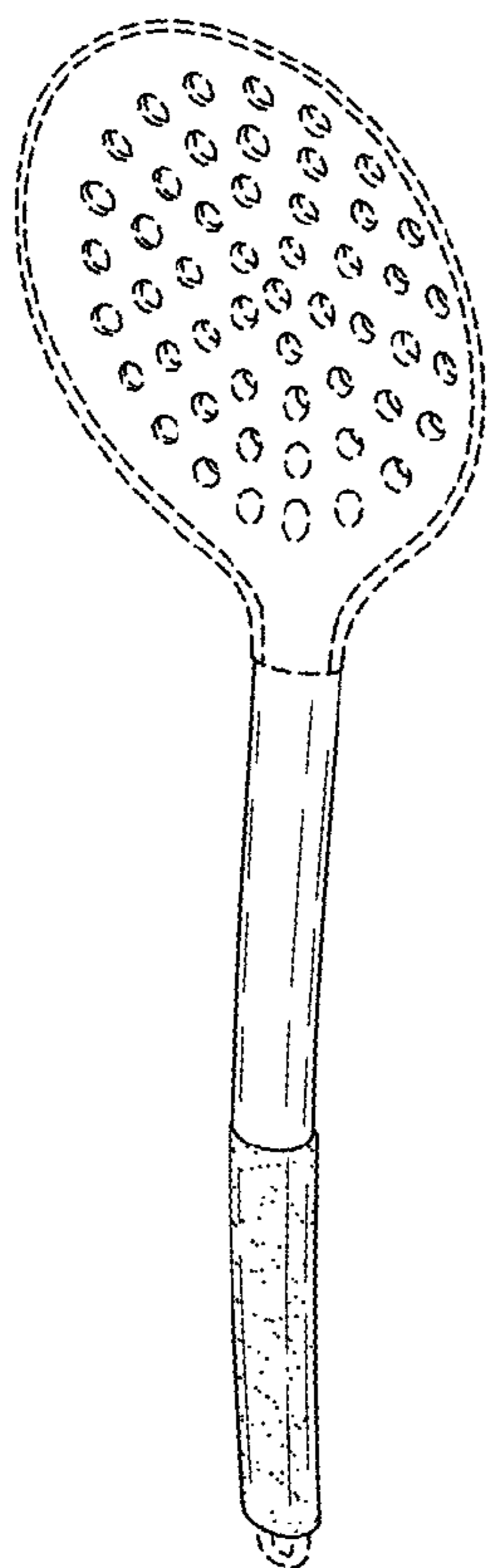


FIG. 23

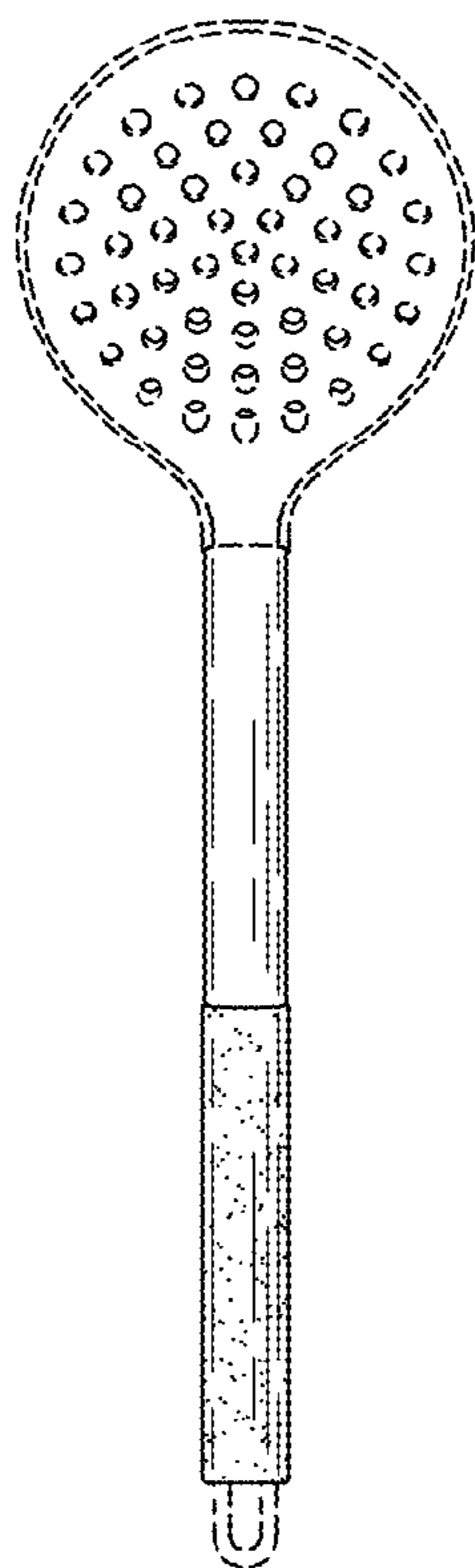


FIG. 24



FIG. 25

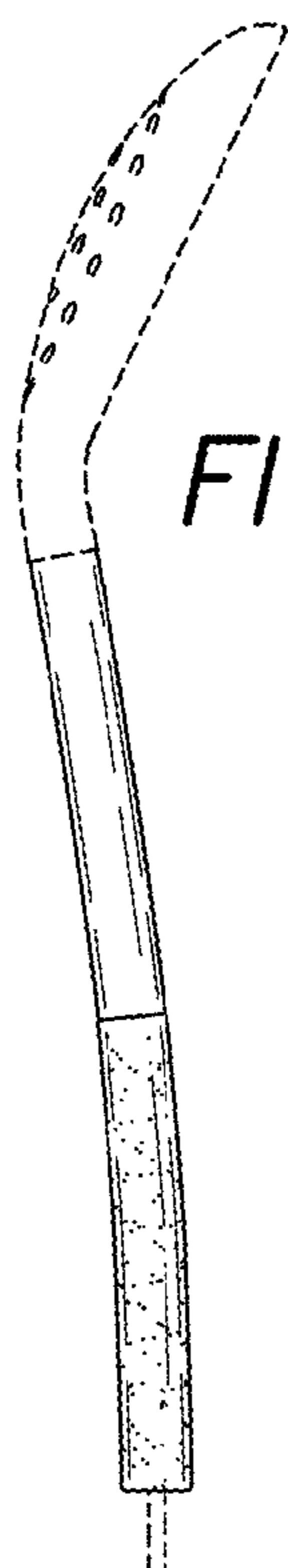


FIG. 26

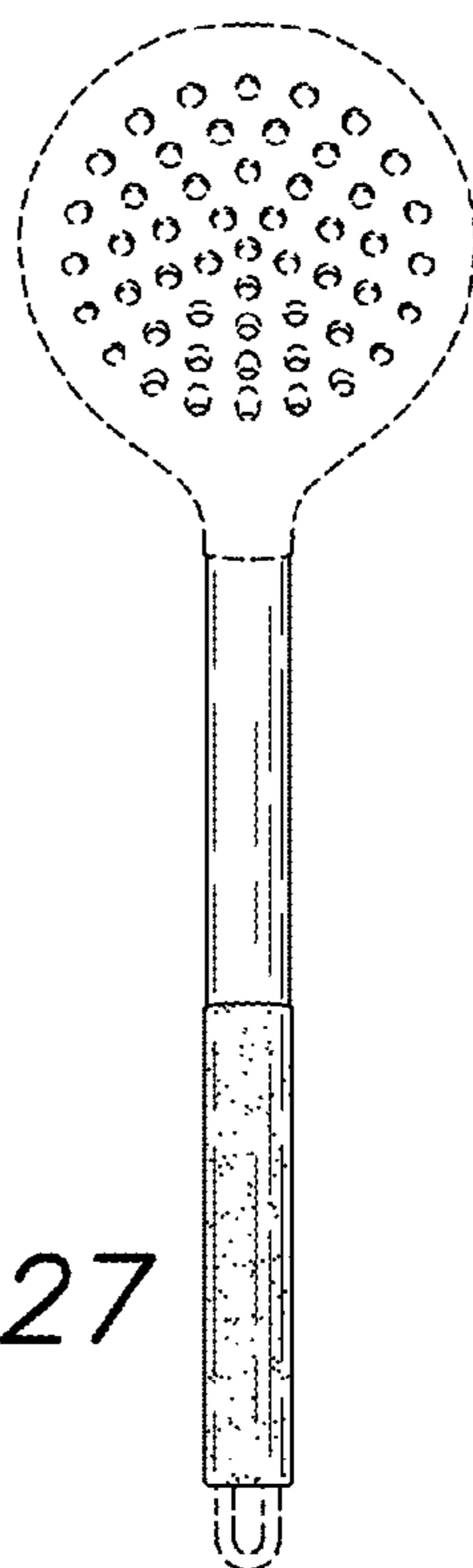


FIG. 27

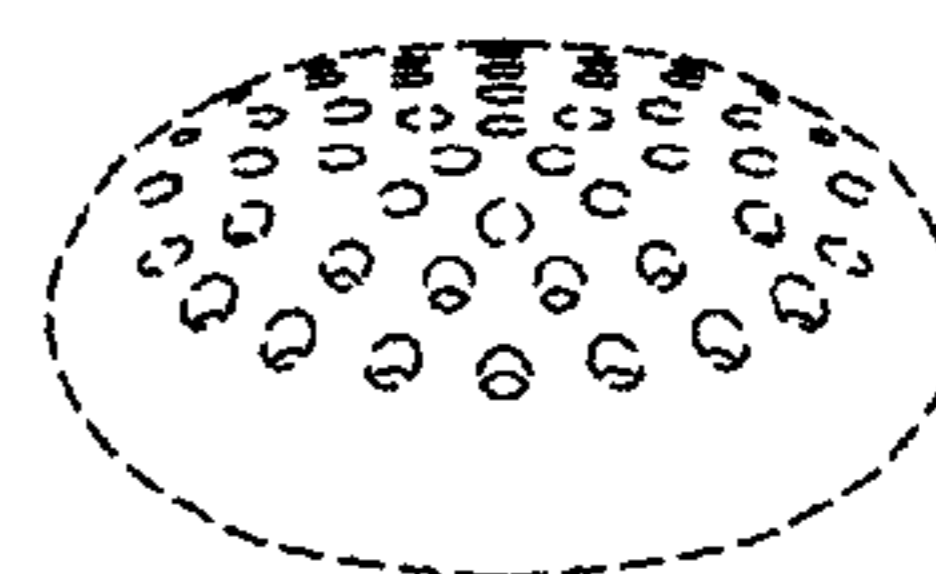


FIG. 28

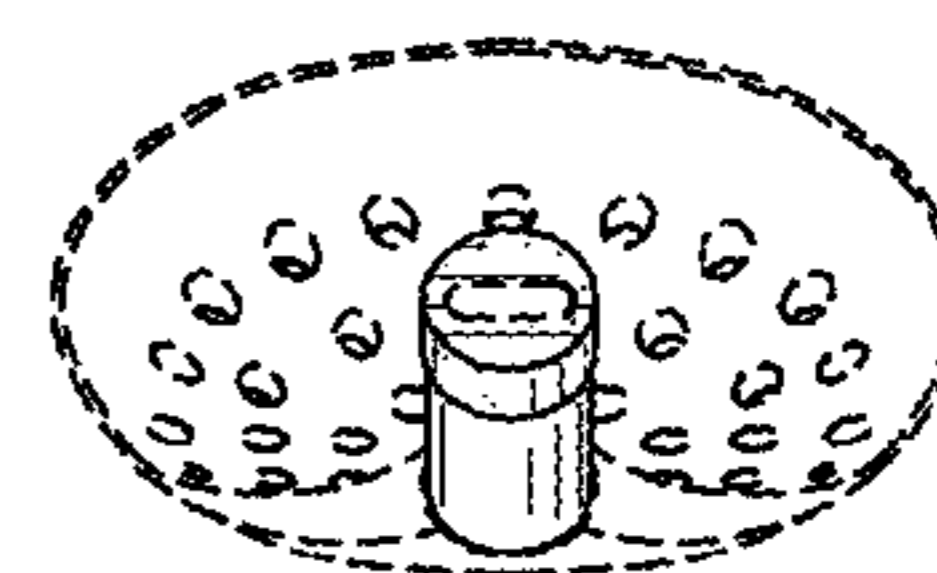


FIG. 29

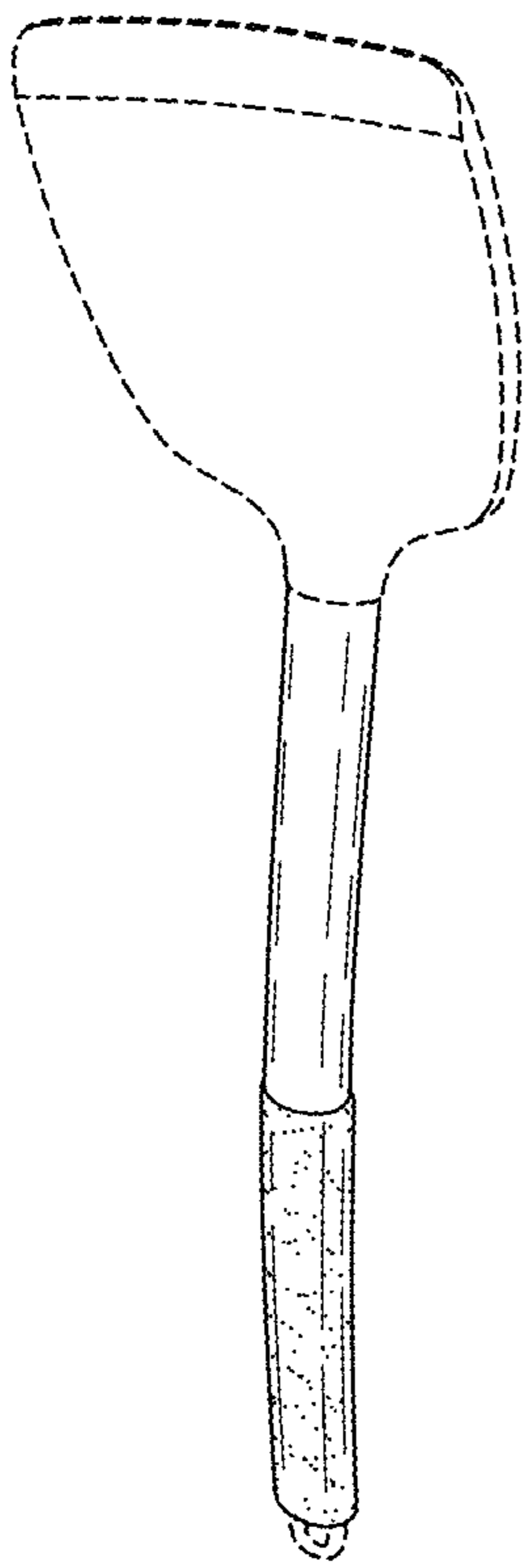


FIG. 30

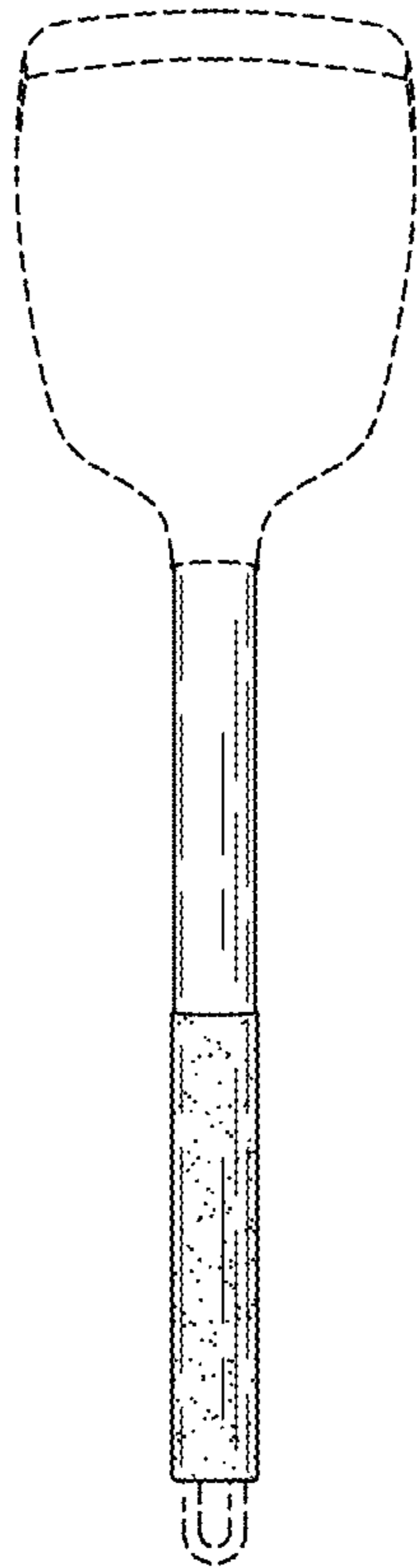


FIG. 31

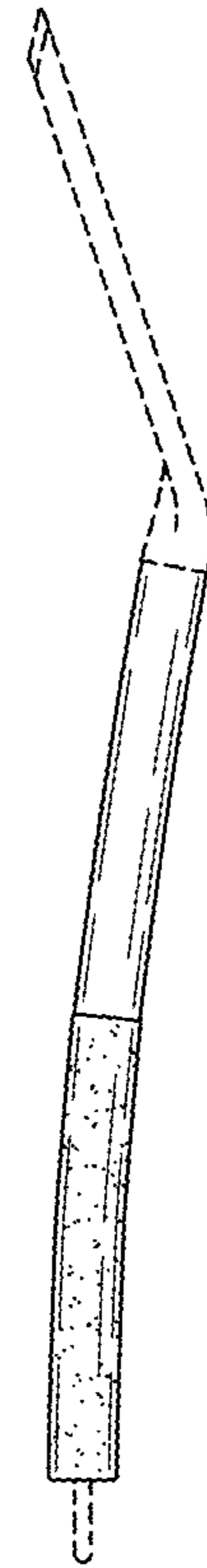


FIG. 32

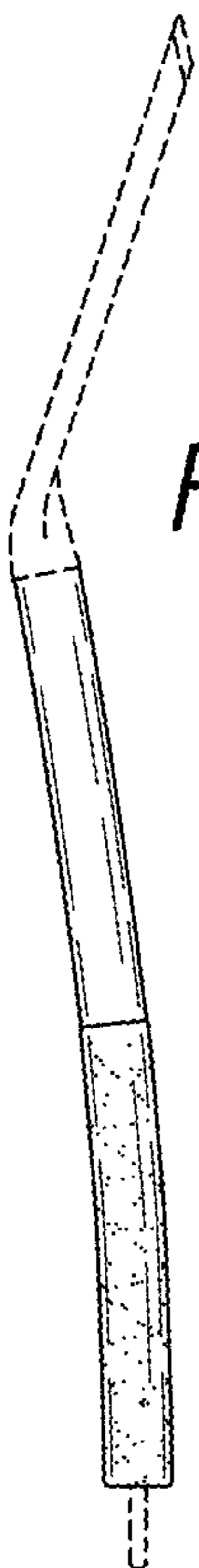


FIG. 33

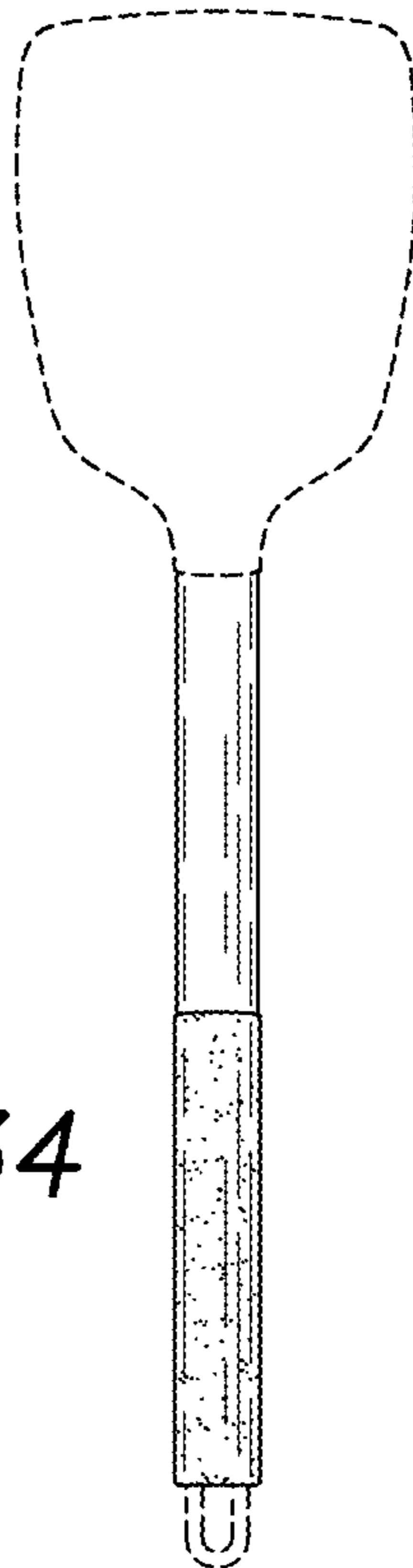


FIG. 34

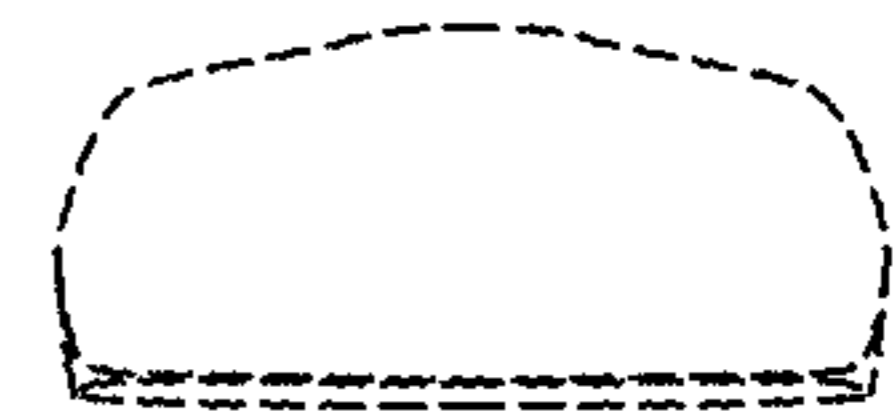


FIG. 35

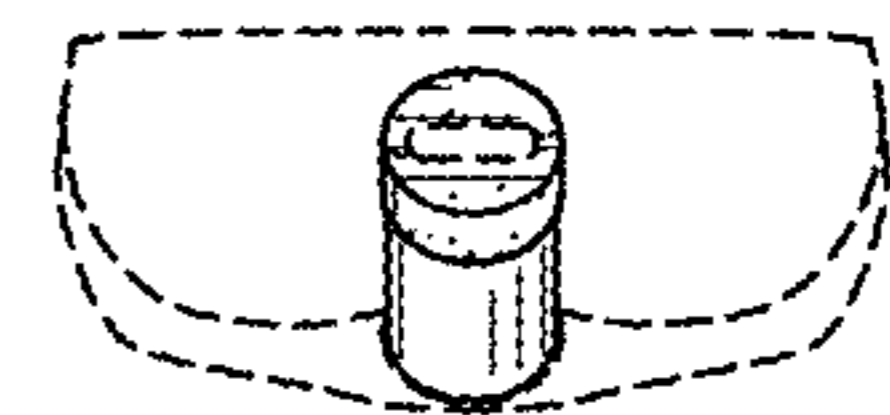


FIG. 36

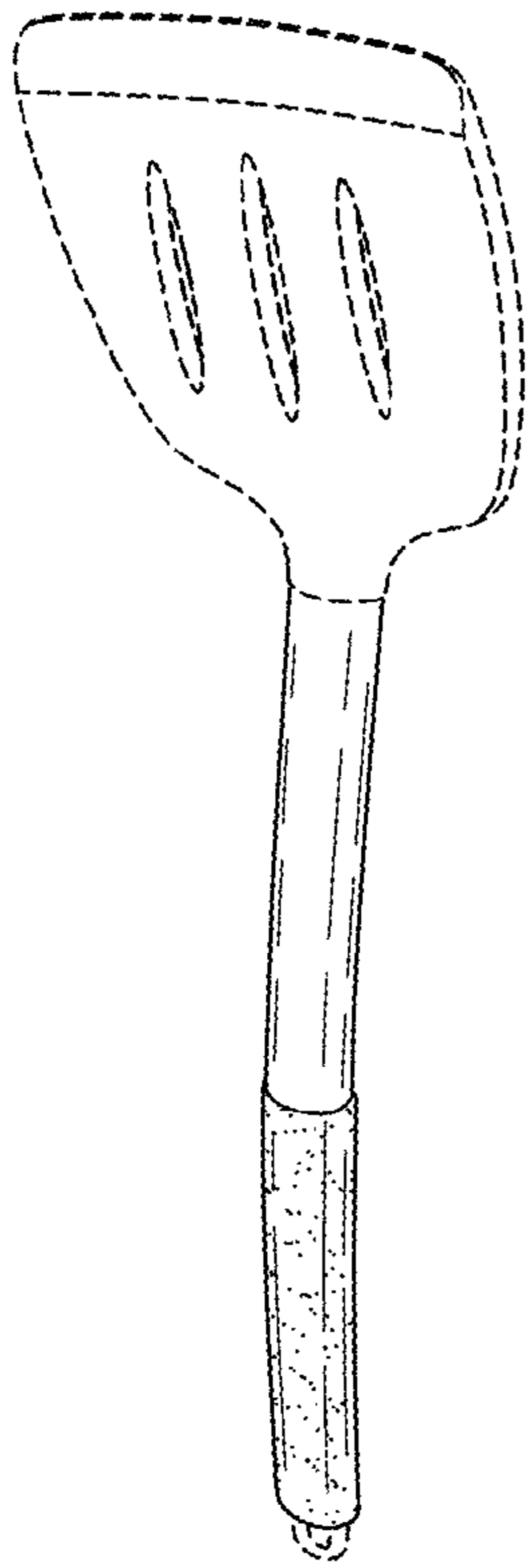


FIG. 37

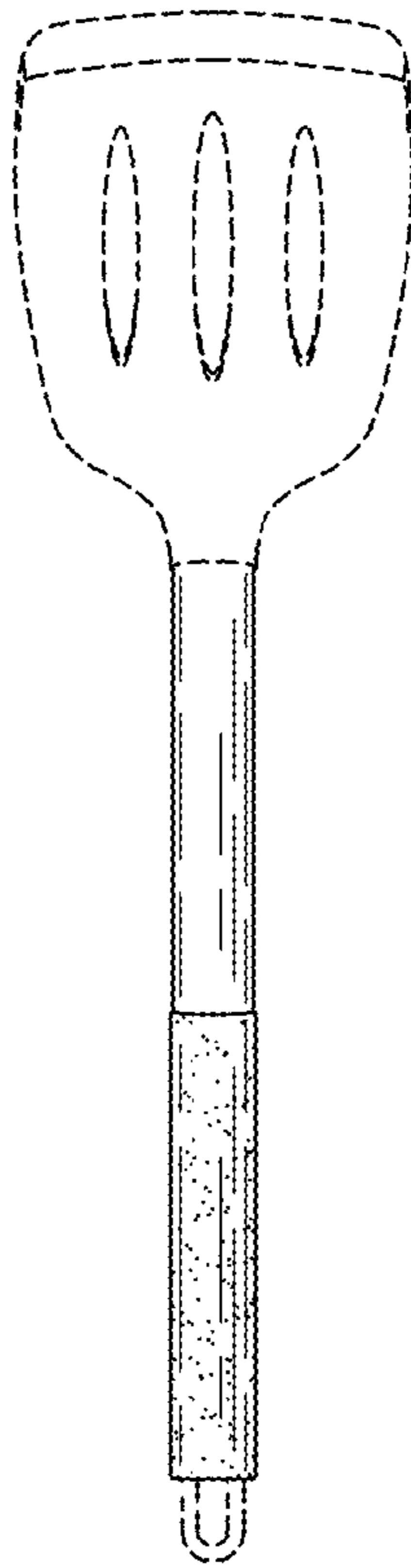


FIG. 38

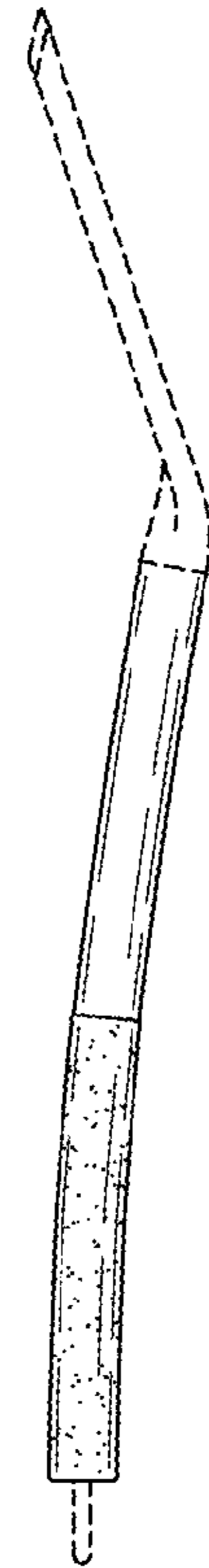


FIG. 39



FIG. 40

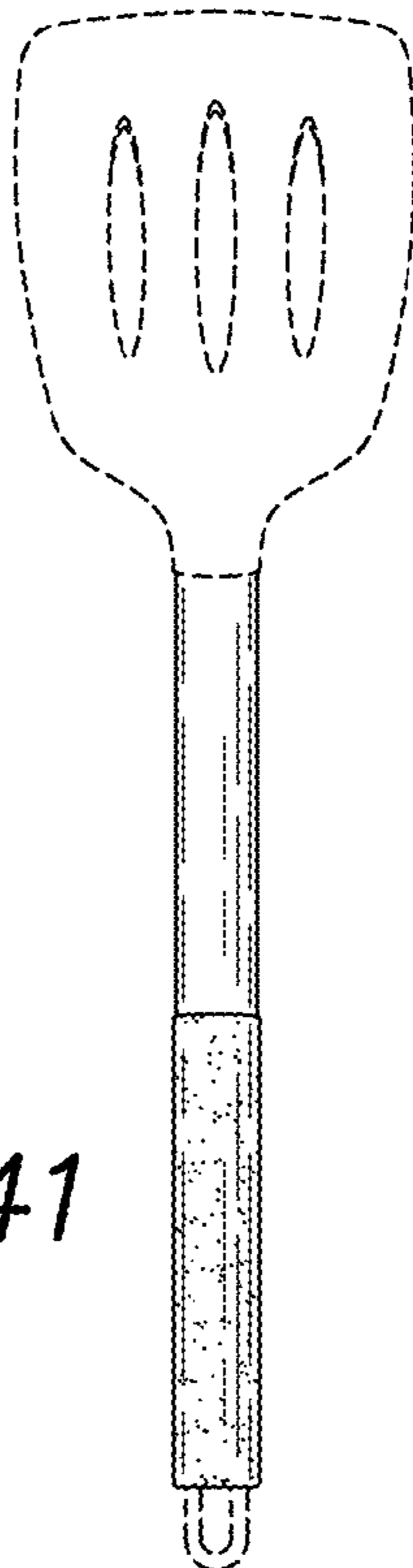


FIG. 41

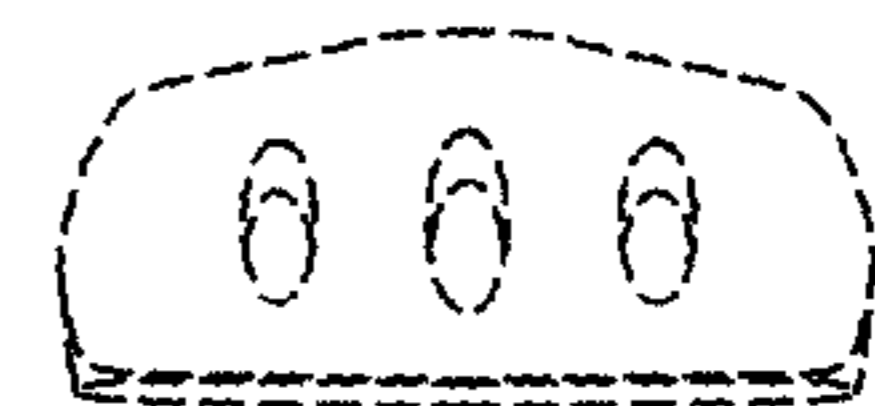


FIG. 42

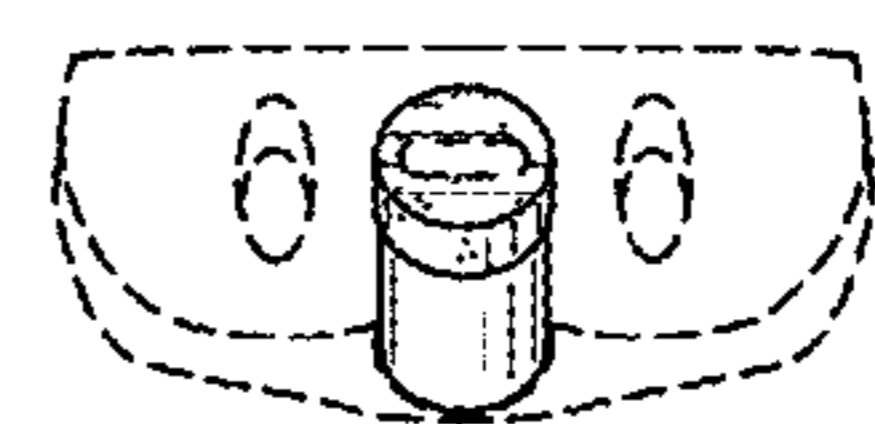


FIG. 43

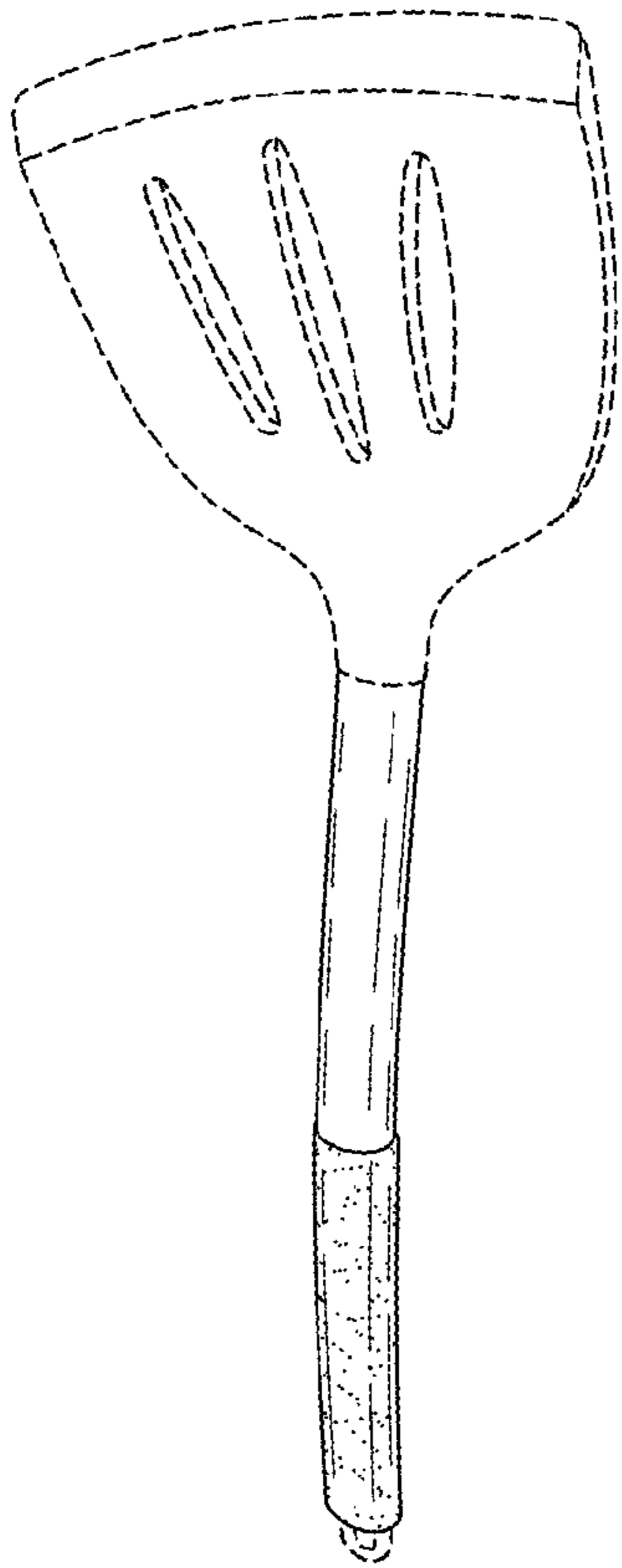


FIG. 44

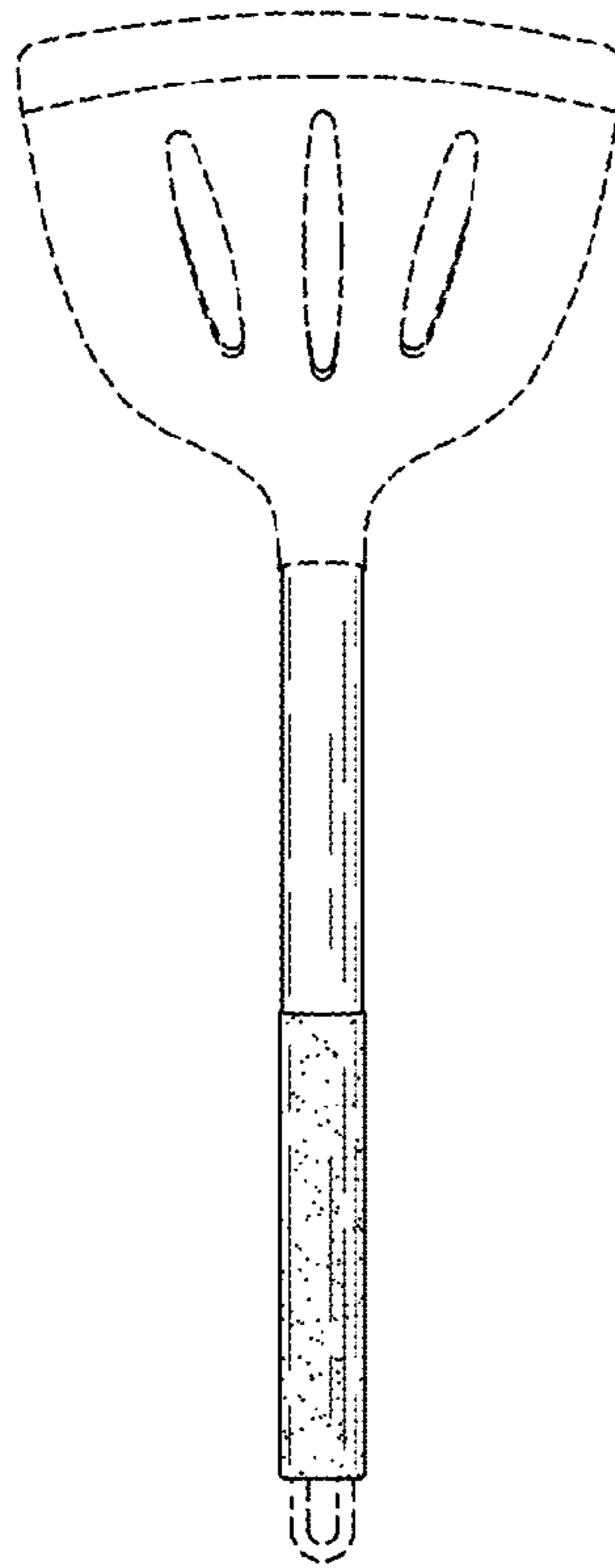


FIG. 45

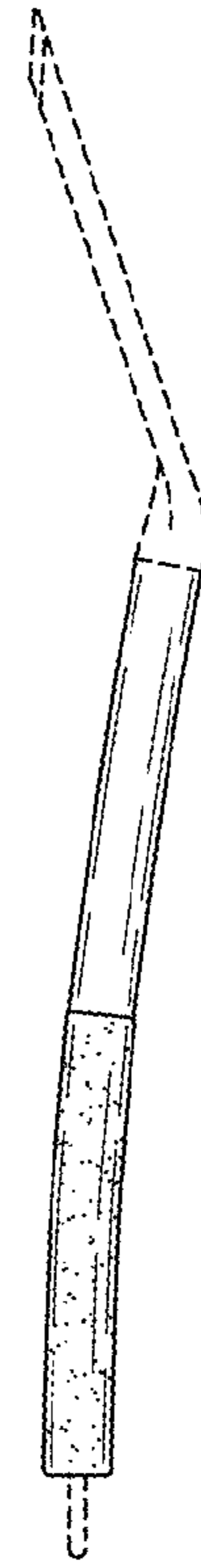


FIG. 46

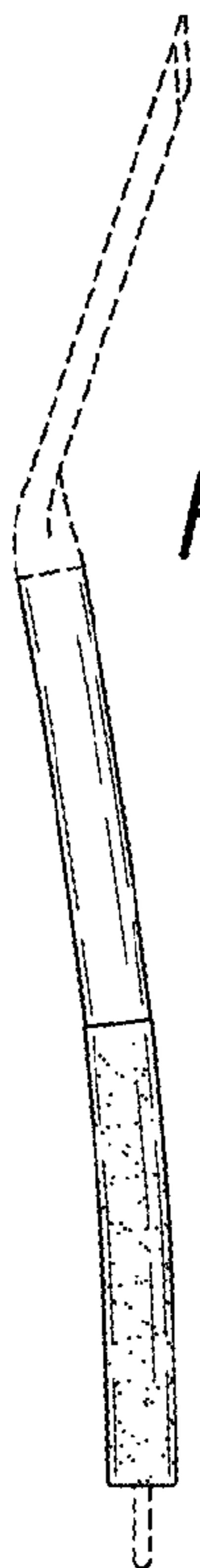


FIG. 47

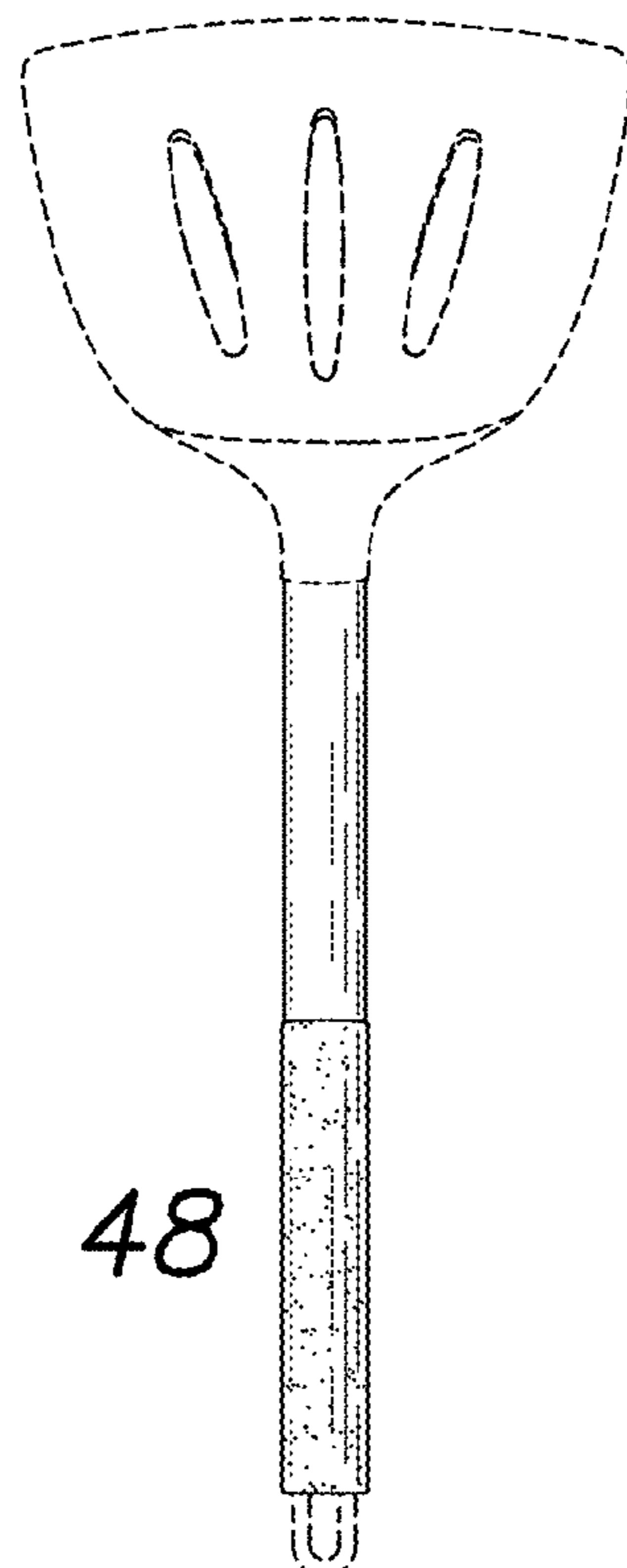


FIG. 48

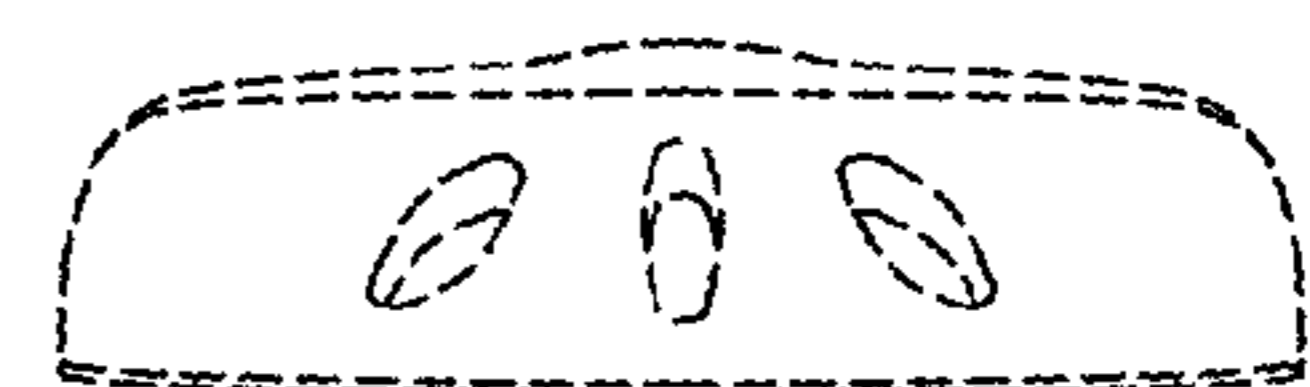


FIG. 49

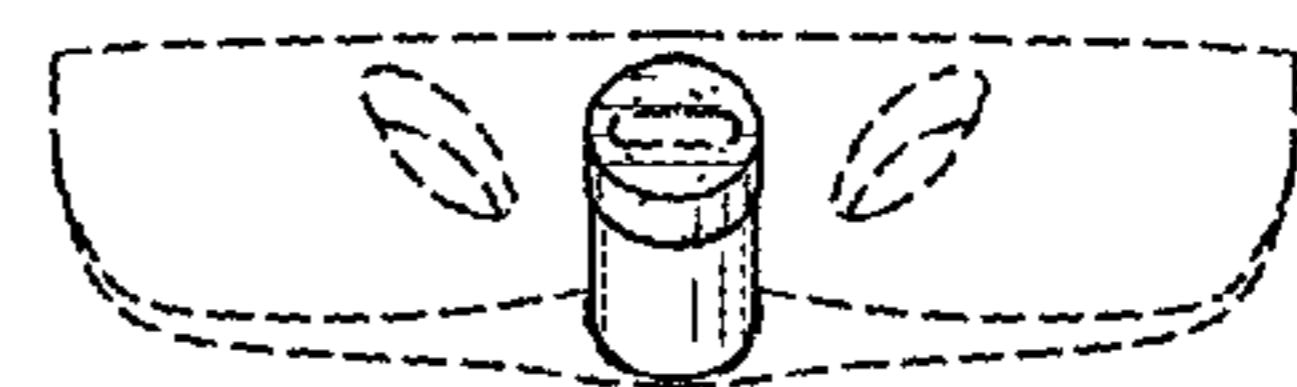


FIG. 50

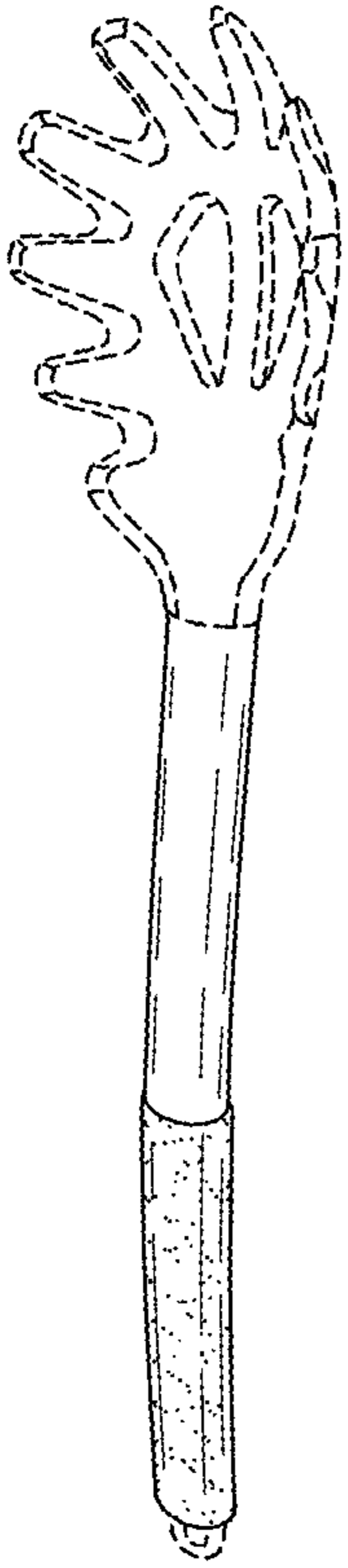


FIG. 51

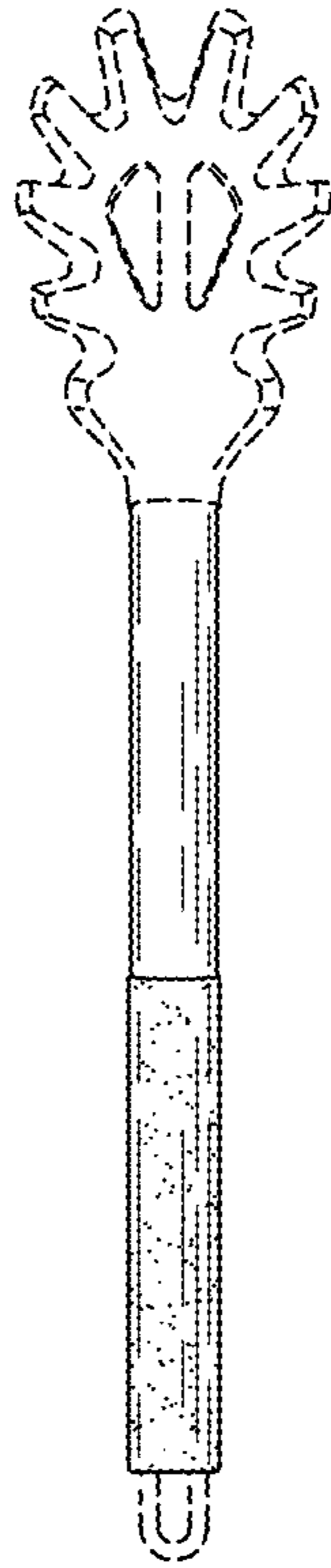


FIG. 52

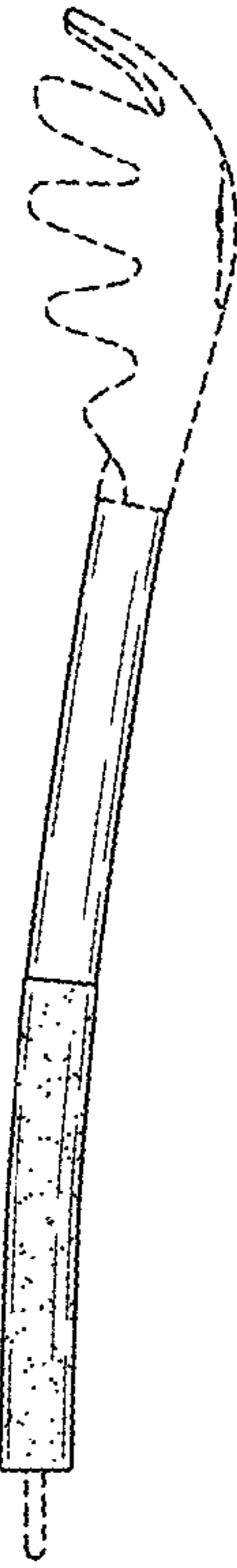


FIG. 53

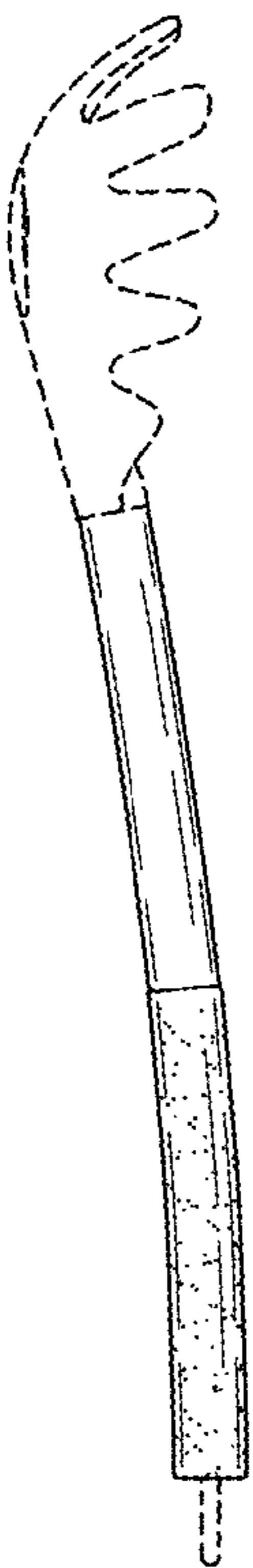


FIG. 54

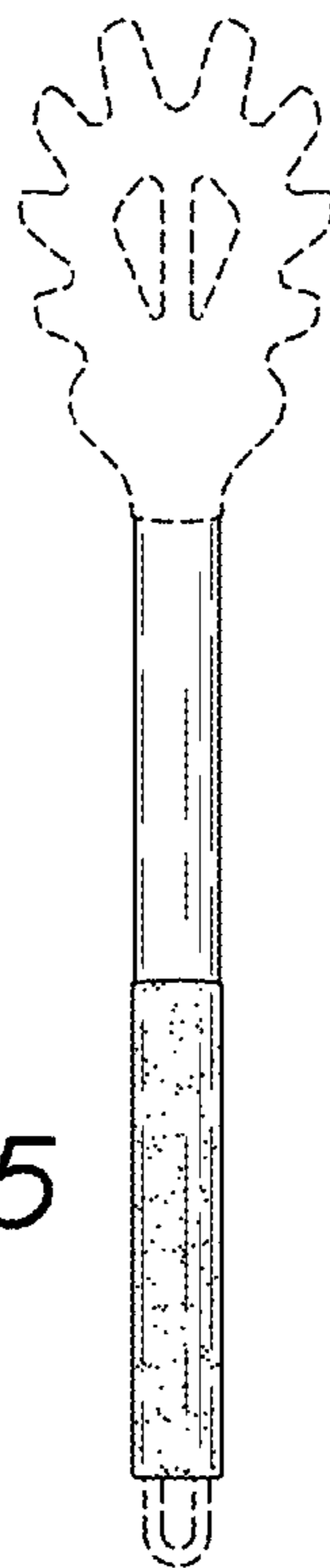


FIG. 55

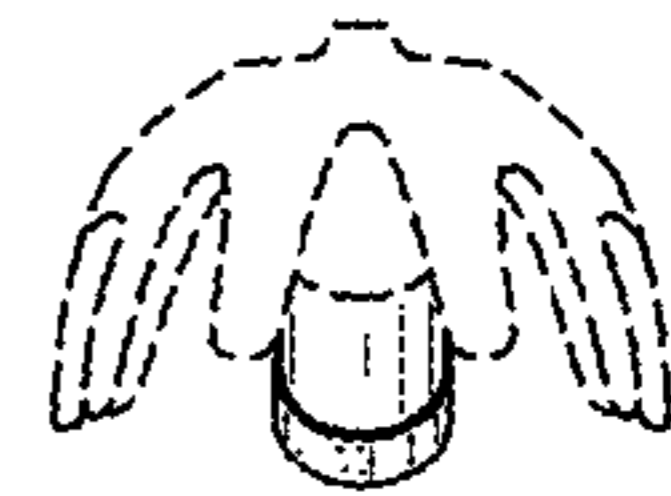


FIG. 56

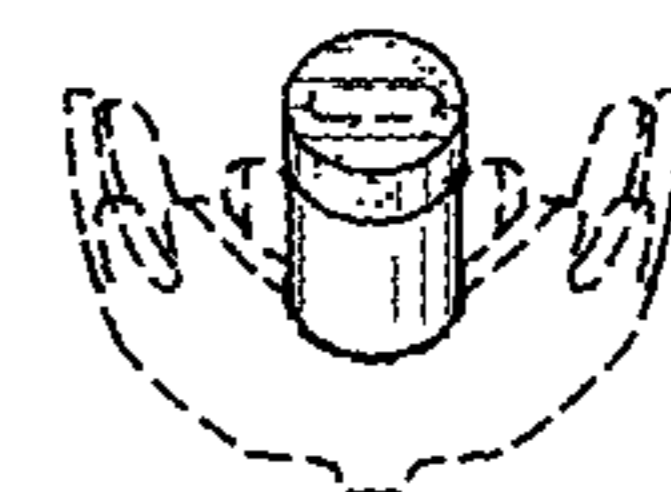


FIG. 57