



US00D912462S

(12) **United States Design Patent**
Waggoner et al.

(10) **Patent No.:** **US D912,462 S**
(45) **Date of Patent:** **** Mar. 9, 2021**

(54) **BEVERAGE ADDITIVE CARTRIDGE CAP**

(71) Applicant: **Cirkul, Inc.**, Sarasota, FL (US)

(72) Inventors: **Garrett S. Waggoner**, Tampa, FL (US);
Andrew Gay, Bothell, WA (US); **Cole Houston**, Central Falls, RI (US);
Thomas A. Urbanik, Maynard, MA (US)

(73) Assignee: **Cirkul, Inc.**, Tampa, FL (US)

(**) Term: **15 Years**

(21) Appl. No.: **29/695,668**

(22) Filed: **Jun. 20, 2019**

Related U.S. Application Data

(63) Continuation-in-part of application No. 29/624,862, filed on Nov. 3, 2017, now Pat. No. Des. 872,520.

(51) **LOC (13) Cl.** **07-99**

(52) **U.S. Cl.**
USPC **D7/392.1**; D9/436; D9/447; D7/396.2

(58) **Field of Classification Search**
USPC D7/507, 509, 510, 511, 392.1, 396.2,
D7/400, 398, 213, 393, 394, 397, 514,
D7/515, 389, 581; 220/200, 703;
D9/434, 435, 436, 447, 448, 635, 440,
D9/439, 450, 446, 443
CPC B65D 41/56; B65D 41/04; B65D 41/0414;
A47J 43/27; A45F 3/16
See application file for complete search history.

(56) **References Cited**

U.S. PATENT DOCUMENTS

D185,015 S * 4/1959 Maybrun D3/300
5,545,315 A * 8/1996 Lonneman C02F 1/003
210/120
D428,306 S * 7/2000 Lee D7/510

D429,312 S * 8/2000 Poirier D7/510
D448,448 S * 9/2001 Hughes D23/209
6,494,056 B1 * 12/2002 Roth A45F 3/16
62/457.3
D490,315 S * 5/2004 Kiser 206/219
D508,202 S * 8/2005 Dobson D9/447
D563,169 S * 3/2008 Gibbons D7/510
D613,160 S * 4/2010 Ablo D9/436
7,713,483 B2 * 5/2010 Maiden B01D 29/085
422/64
D621,660 S * 8/2010 Smiedt D7/510
D631,286 S * 1/2011 Smiedt D7/392.1
(Continued)

Primary Examiner — Jae Liang

(74) *Attorney, Agent, or Firm* — John F. Rollins

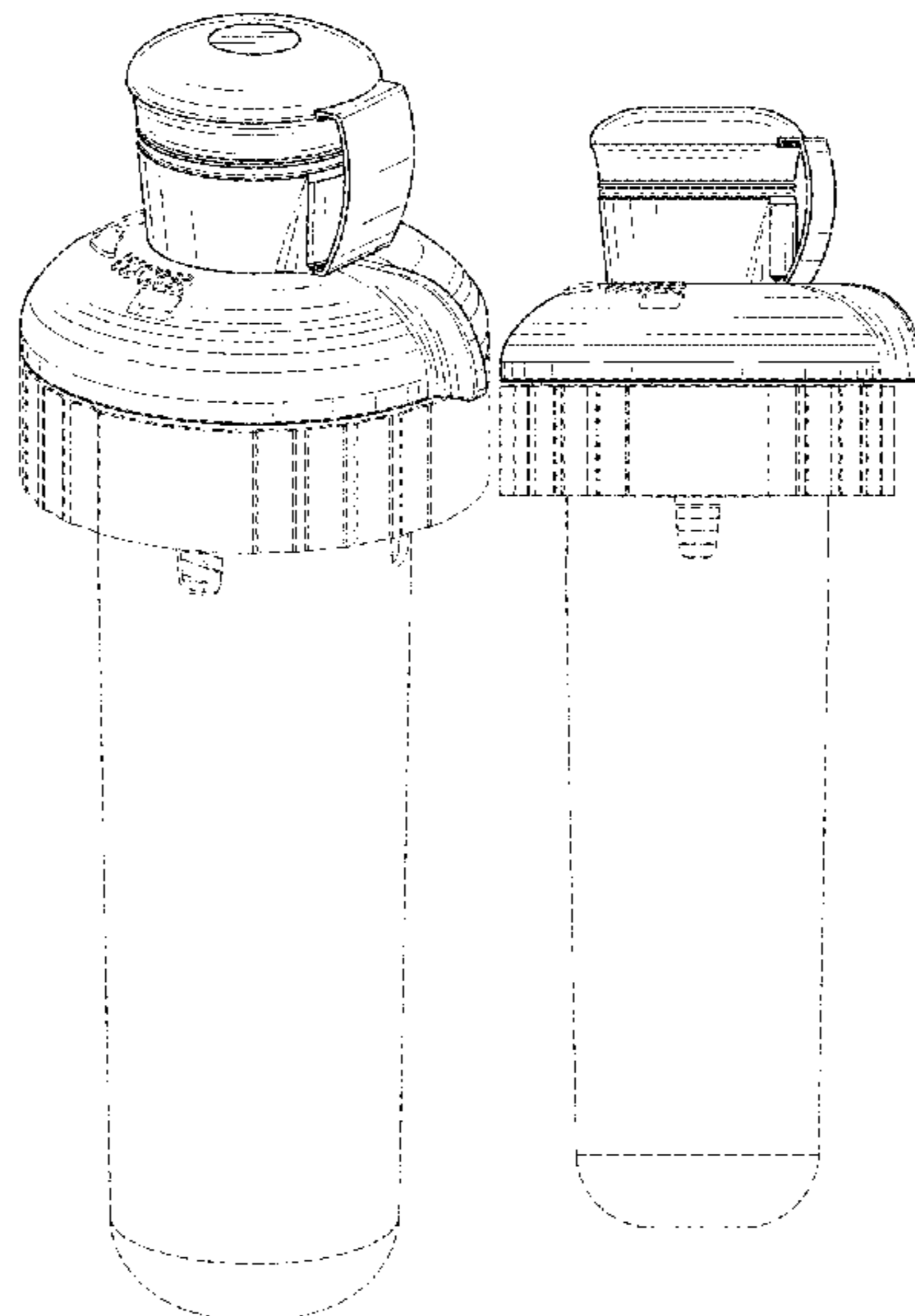
(57) **CLAIM**

The ornamental design for a beverage additive cartridge cap, as shown and described.

DESCRIPTION

FIG. 1 is a perspective view of a beverage additive cartridge cap showing our new design;
FIG. 2 is a bottom perspective view of the beverage additive cartridge cap of FIG. 1;
FIG. 3 is a front view of the beverage additive cartridge cap of FIG. 1;
FIG. 4 is a rear view of the beverage additive cartridge cap of FIG. 1;
FIG. 5 is a left side view of the beverage additive cartridge cap of FIG. 1;
FIG. 6 is a right side view of the beverage additive cartridge cap of FIG. 1;
FIG. 7 is a top view of the beverage additive cartridge cap of FIG. 1; and,
FIG. 8 is a bottom view of the beverage additive cartridge cap of FIG. 1.
The features shown in broken lines are included to show portions of the beverage additive cartridge cap that form no part of the claimed design.

1 Claim, 4 Drawing Sheets



(56)

References Cited

U.S. PATENT DOCUMENTS

D654,797	S *	2/2012	Chen	D9/436
D691,420	S *	10/2013	McIntire	D7/510
D721,958	S *	2/2015	Hamway	D9/436
D723,918	S *	3/2015	Karl, IV	D9/447
9,004,292	B2 *	4/2015	Carter	A47G 19/2266
				210/263
D736,622	S *	8/2015	Nishijima	D9/447
D742,175	S *	11/2015	Rashid	D7/510
D752,435	S *	3/2016	Willows	D9/447
D753,791	S *	4/2016	Rashid	D23/209
D761,648	S *	7/2016	Karl, IV	D9/447
D784,084	S *	4/2017	Bartlett	D7/511
D795,647	S *	8/2017	Heiberger	D7/511
9,833,731	B2 *	12/2017	Carter	C02F 1/002
D830,118	S *	10/2018	Ksiazek	D7/392.1
D834,368	S *	11/2018	Oas	D7/392.1
D872,520	S *	1/2020	Waggoner	D7/392.1
2002/0036176	A1 *	3/2002	Hughes	C02F 1/003
				210/767
2005/0139622	A1 *	6/2005	Saulle	B65D 51/2842
				222/541.1
2015/0232318	A1 *	8/2015	Meldeau	B67D 3/0019
				222/189.06
2017/0296988	A1 *	10/2017	Waggoner	B65D 47/06

* cited by examiner

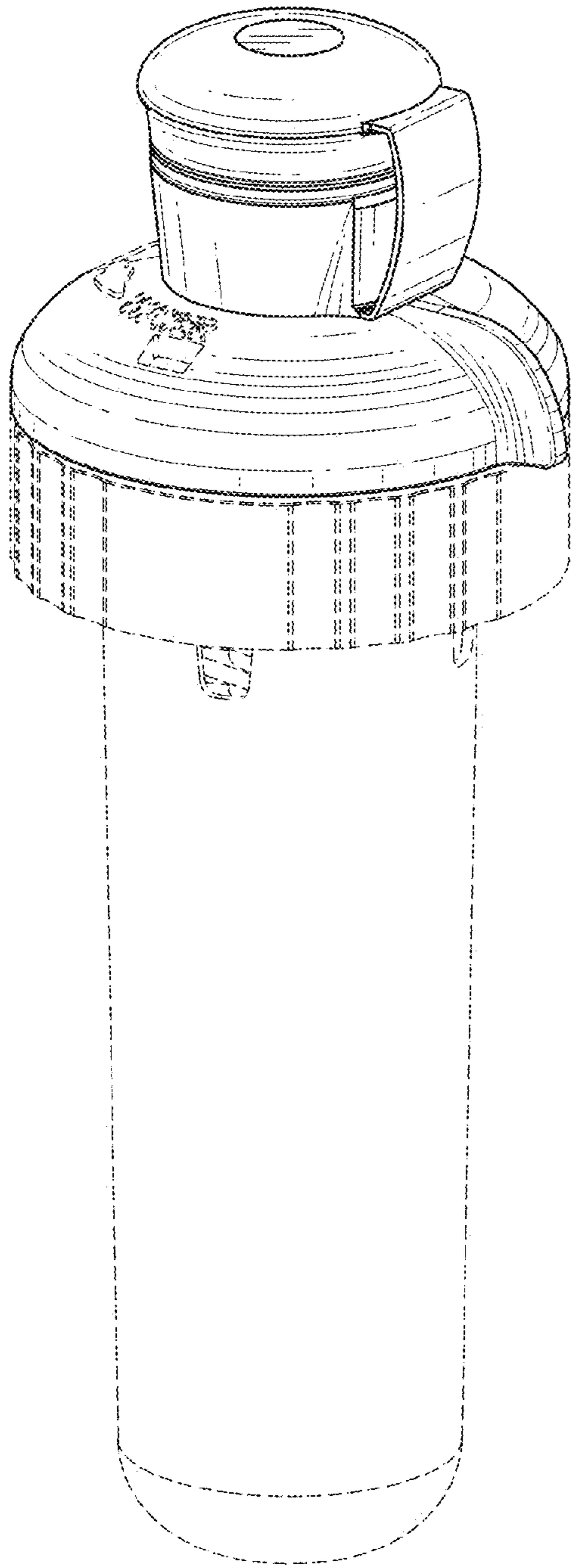


FIG. 1

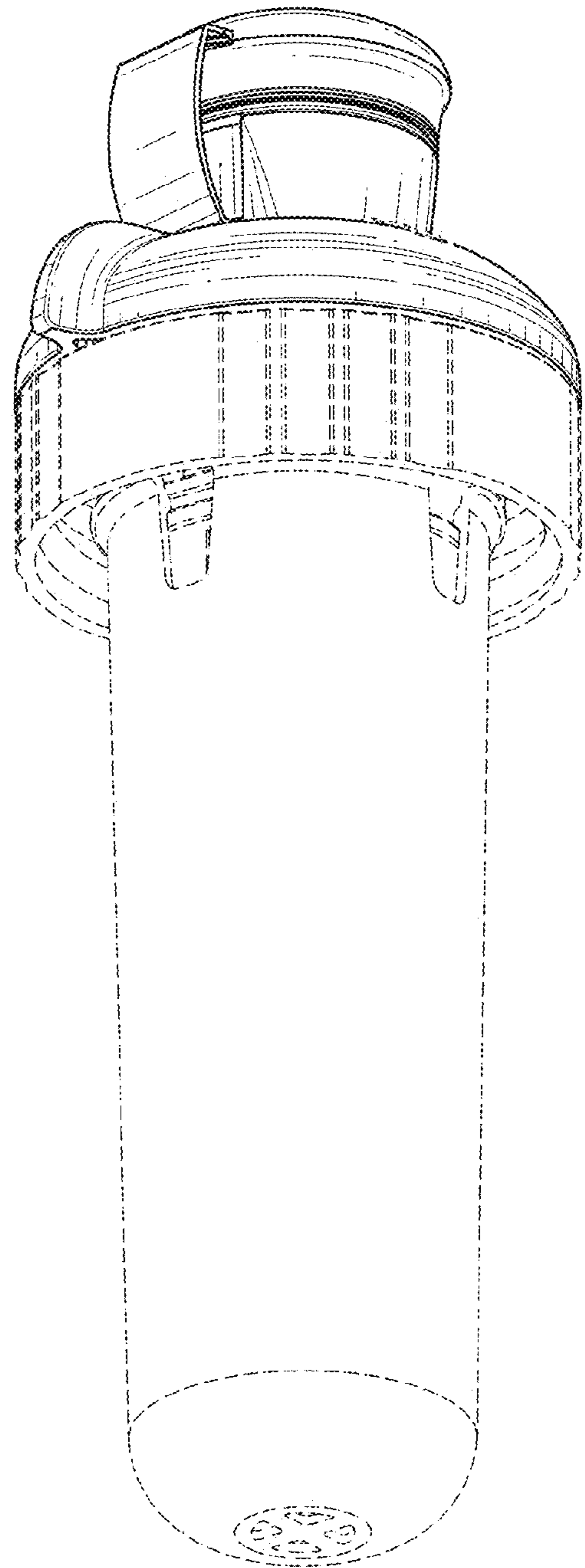


FIG. 2

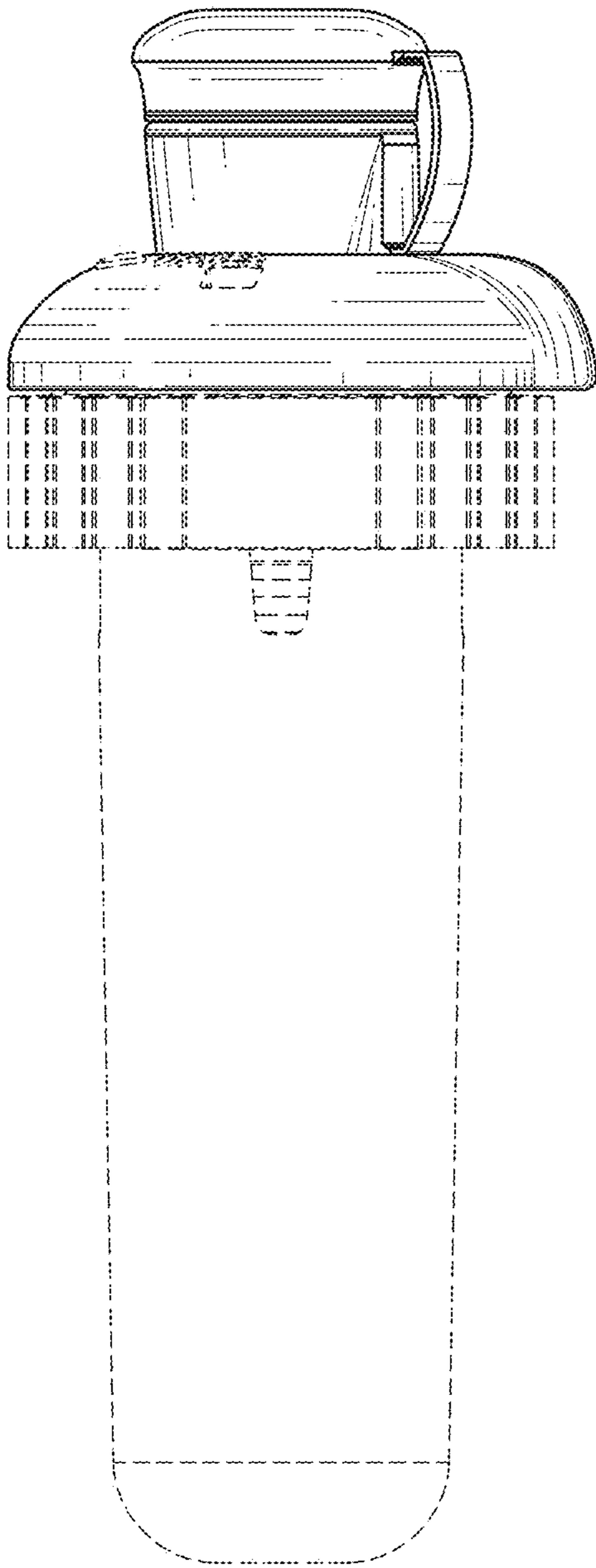


FIG. 3

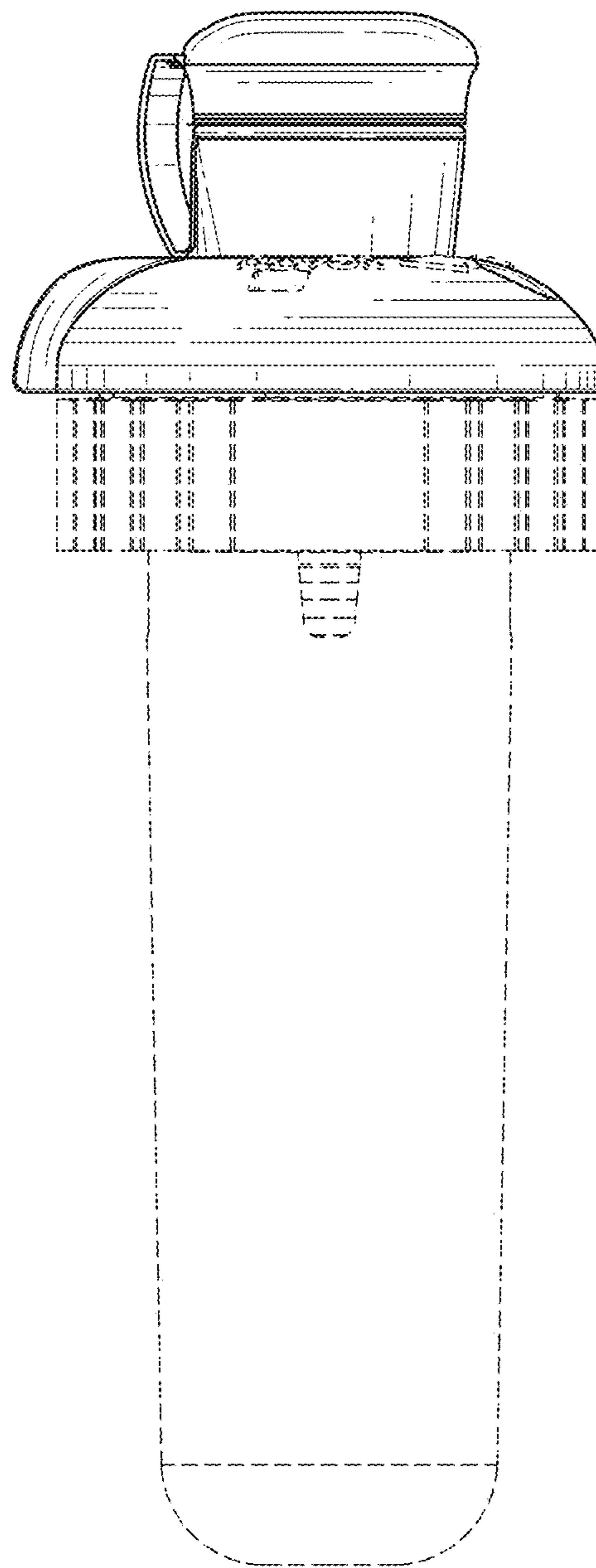


FIG. 4

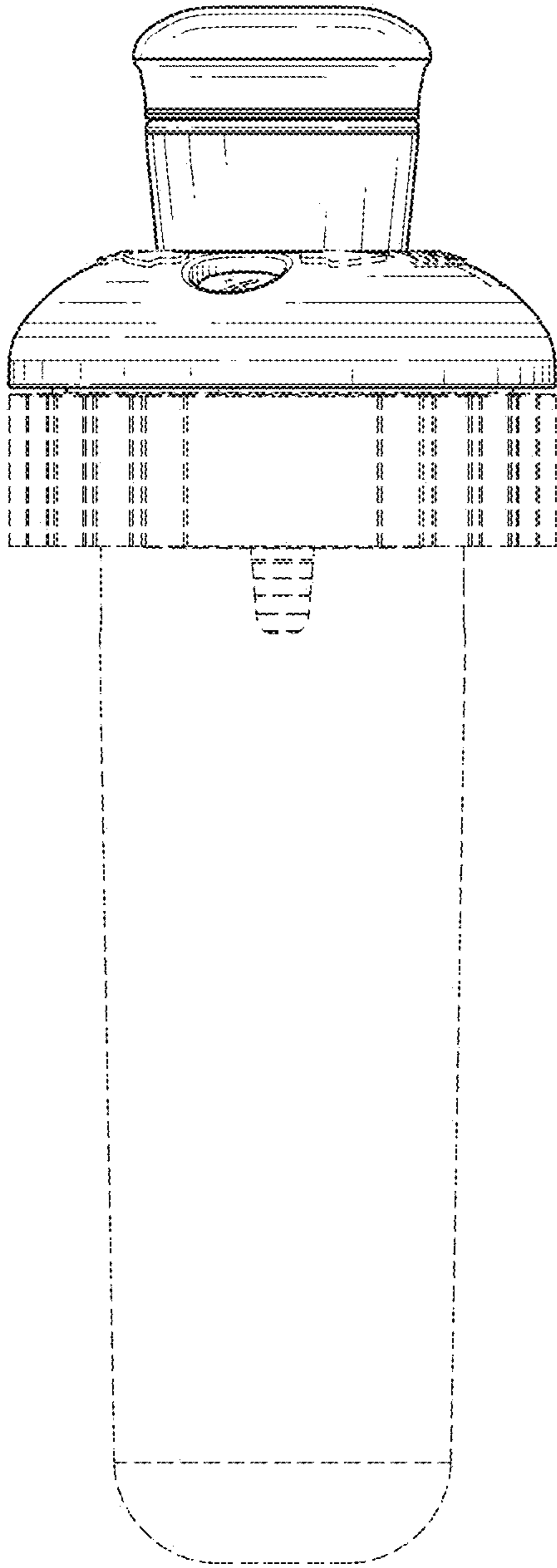


FIG. 5

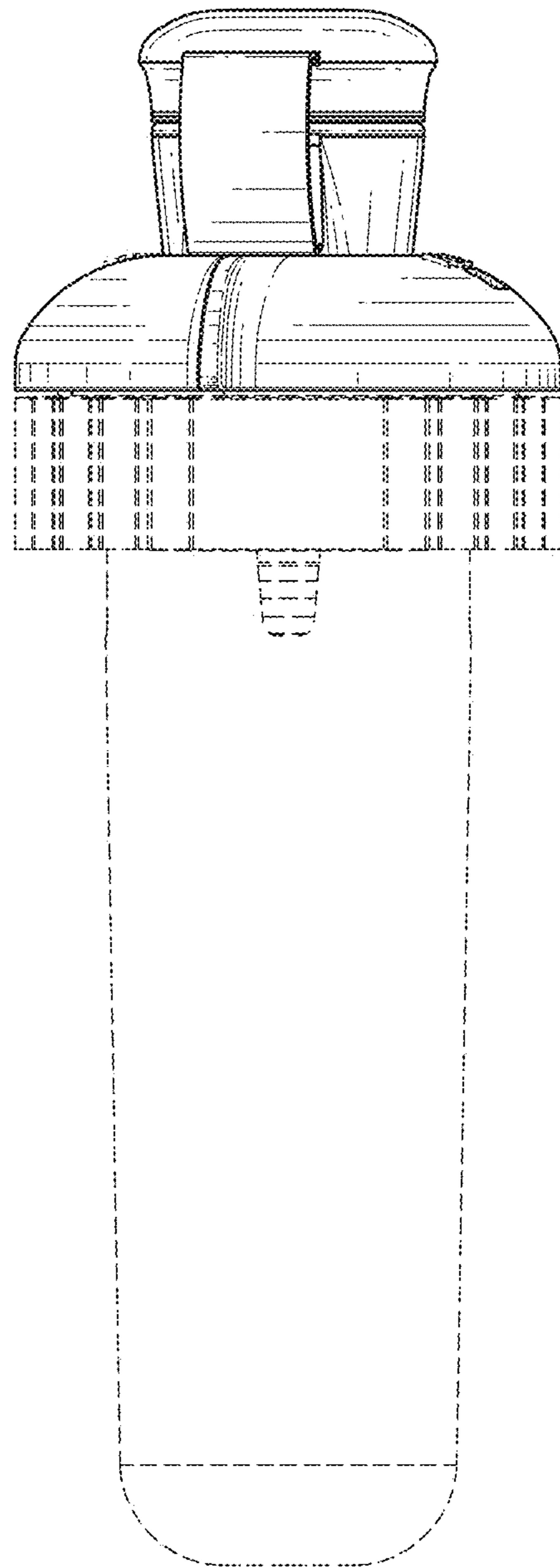


FIG. 6

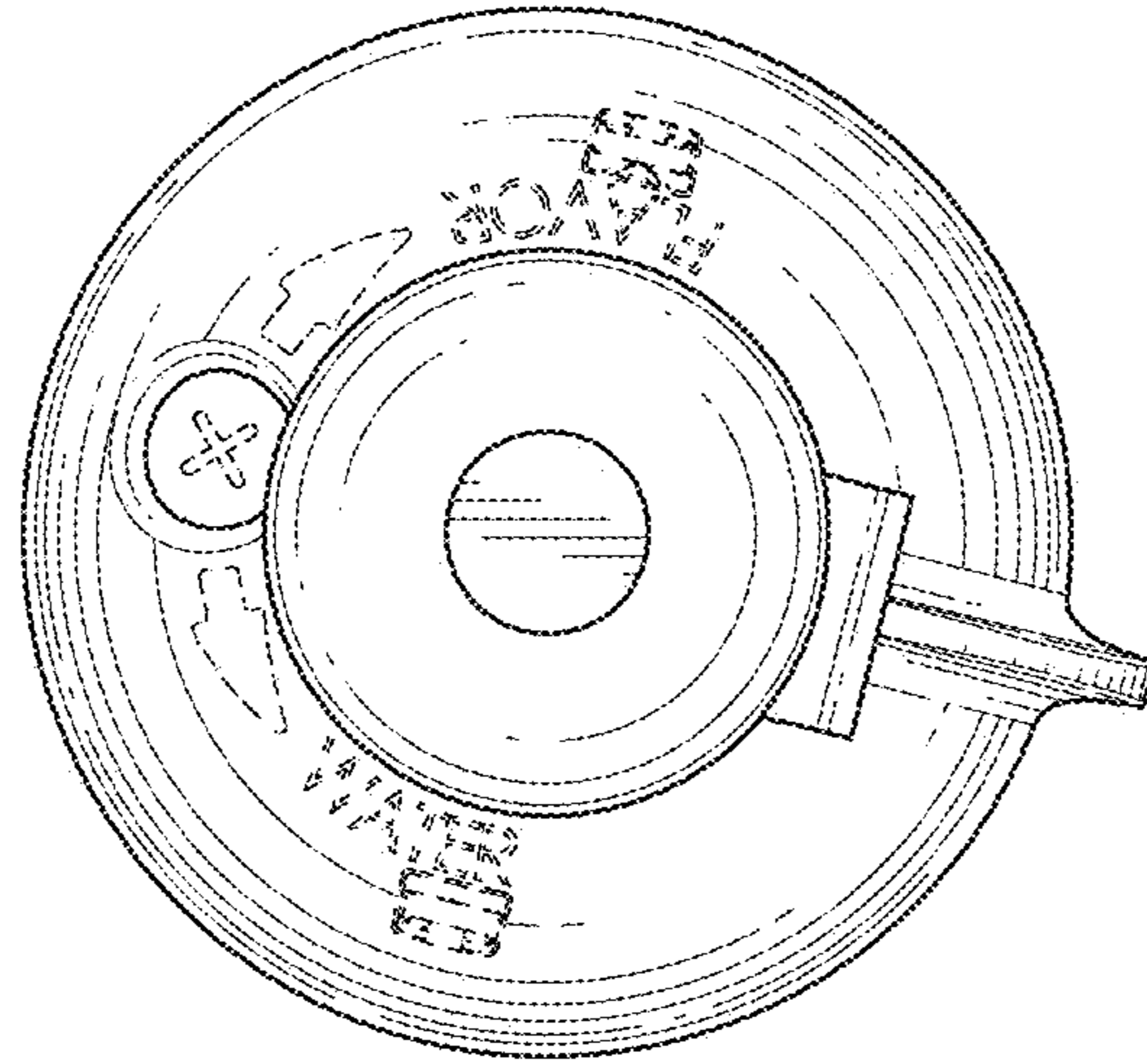


FIG. 7

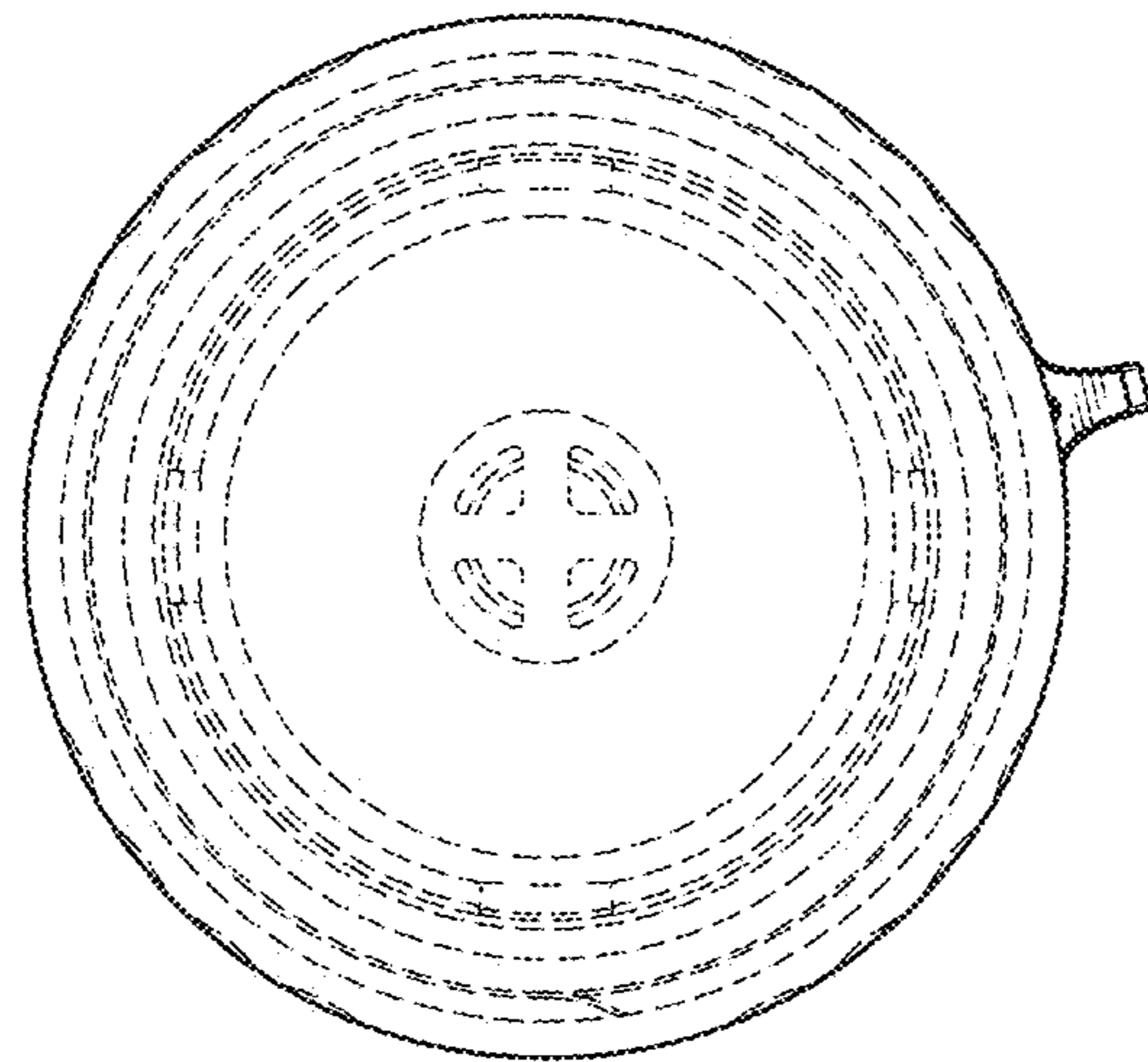


FIG. 8