



US00D912461S

(12) **United States Design Patent** (10) **Patent No.:** **US D912,461 S**
Mendez (45) **Date of Patent:** **** Mar. 9, 2021**

(54) **LID**
(71) Applicant: **Luis V. Mendez**, Greenville, SC (US)
(72) Inventor: **Luis V. Mendez**, Greenville, SC (US)
(**) Term: **15 Years**
(21) Appl. No.: **29/681,282**
(22) Filed: **Feb. 24, 2019**
(51) **LOC (13) Cl.** **07-01**
(52) **U.S. Cl.**
USPC **D7/392.1; D7/396.2**
(58) **Field of Classification Search**
USPC D7/392, 608, 523, 624.2, 532, 509, 413,
D7/529, 410, 552.1, 396.1, 324, 554.2,
D7/553.8, 555, 551.1, 702, 533, 553.2,
D7/624.1, 624.3, 553.5, 701, 600.1, 602,
D7/601, 683, 409, 383, 536, 553.6, 300.1,
D7/300, 507, 300.2, 900, 392.1, 591, 391,
D7/510, 511, 592, 396.2; D9/449, 448,
D9/445, 530, 553, 443, 414, 415, 432,
D9/434, 435, 754, 527, 452, 529, 544,
D9/455, 702, 517, 456, 737, 553.3, 444,
D9/504, 683, 501, 502, 541, 503, 454,
D9/500, 689, 526; D3/202, 203.2, 294,
D3/318, 203.3, 901; D11/130.1;
D14/238; D6/681.3; D10/46.2, 46.3;
220/592, 557, 568, 264, 714, 705, 710.5;
D26/9; 206/557; D24/121; D28/89, 91,
D28/91.1, 88; 215/370, 2
CPC A47G 23/06; A47G 19/2288; A47G
19/2227; A47G 19/22; A47G 19/2205;
A47G 19/2211; A47G 19/26; B65D
41/04; B65D 51/24; B65D 53/02; B65D
25/22; A47J 47/02
See application file for complete search history.

(56) **References Cited**
U.S. PATENT DOCUMENTS
1,999,670 A * 4/1935 Strouse F25D 3/14
62/372
2,599,767 A * 6/1952 Long F16L 23/22
277/649
D241,621 S * 9/1976 Morris D9/443
D402,159 S * 12/1998 Laib D7/538
D457,779 S * 5/2002 Gullickson D7/392.1
(Continued)

FOREIGN PATENT DOCUMENTS
CN 304629036 * 5/2018
GB 2060444 * 3/1997 B65D 81/3881
(Continued)

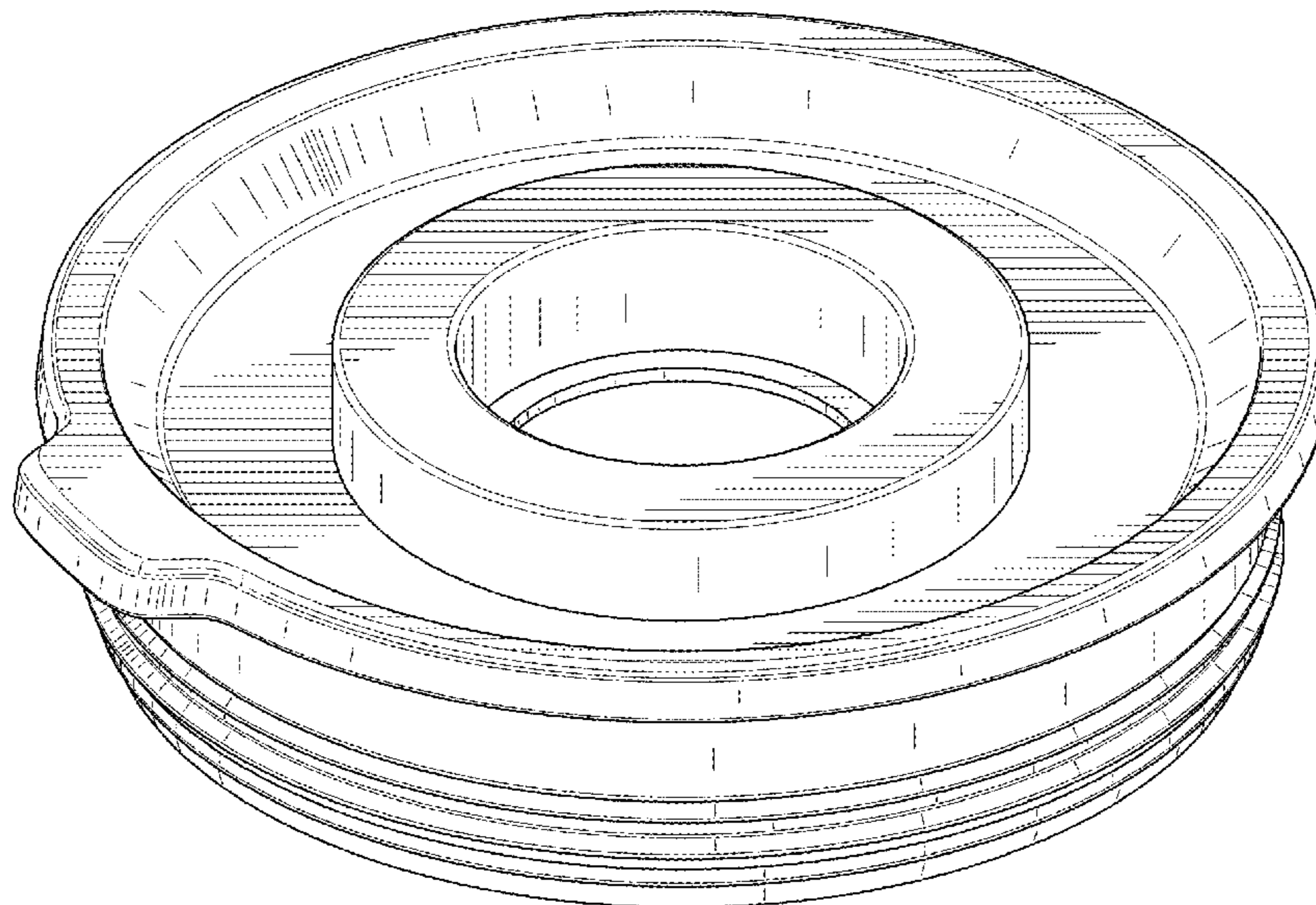
OTHER PUBLICATIONS
Oster, "Oster BLSTAL-W00-11 blender part," Oct. 19, 2017, Amazon.
com, www.amazon.com/dp/B076L1J7JX (Year: 2017).*
(Continued)

Primary Examiner — Shannon W Morgan
Assistant Examiner — Arva P Adams
(74) *Attorney, Agent, or Firm* — Steve LeBlanc, LLC

(57) **CLAIM**
The ornamental design for a lid, as shown and described.

DESCRIPTION
FIG. 1 is a top perspective view of the lid;
FIG. 2 is a right side view of the lid;
FIG. 3 is a left side view of the lid;
FIG. 4 is a front side view of the lid;
FIG. 5 is a rear side view of the lid;
FIG. 6 is a top plan view of the lid; and,
FIG. 7 is a bottom plan view of the lid.
The broken lines and surfaces within, including the inner-
most circular ring surface in FIG. 7, depict portions of the lid
that form no part of the claimed design.

1 Claim, 5 Drawing Sheets



(56)

References Cited

U.S. PATENT DOCUMENTS

7,021,486 B1 * 4/2006 Hurlbut A45F 3/18
215/230
D614,439 S * 4/2010 Olivari D7/392.1
D685,615 S 7/2013 Altieri
D688,530 S * 8/2013 Sanders D7/619.2
D750,934 S * 3/2016 Kemker D7/391
D759,425 S * 6/2016 Castriota D7/391
D786,628 S * 5/2017 Chisholm D7/622
D796,902 S * 9/2017 Gordon D7/510
D804,241 S * 12/2017 Gordon D7/392.1
D808,802 S * 1/2018 Seiders A45F 3/18
D9/440
D815,893 S * 4/2018 Seiders D7/396.2
9,988,202 B2 6/2018 Haas
D829,505 S * 10/2018 Kim D7/413
D830,787 S 10/2018 Petrillo
D835,459 S * 12/2018 Sedgwick A47G 19/2272
D7/392.1
D838,473 S * 1/2019 Stevens B65D 81/3876
D3/202
D842,028 S * 3/2019 Melanson D7/392.1
D857,443 S * 8/2019 Hill D7/392.1
D877,558 S * 3/2020 Dorfmueller D7/391
D884,472 S * 5/2020 Matauch D9/447
D885,826 S * 6/2020 Mosebrook F25D 3/14
D7/392.1

D892,568 S * 8/2020 Haas B65D 81/3876
D7/624.2
2017/0137207 A1 5/2017 Mackintosh
2017/0166385 A1 6/2017 Pisarevsky
2018/0194537 A1 7/2018 Chan
2018/0310766 A1 * 11/2018 Lapsker A47G 19/2272

FOREIGN PATENT DOCUMENTS

KR 300216855.0003 * 8/1998
KR 30757229.0000 * 8/2014
WO WO 2015/191566 12/2015
WO WO-2015191566 A1 * 12/2015 B65D 81/3881

OTHER PUBLICATIONS

Reduce, "Reduce 4-in-1 Stainless Steel Bottle and Can Insulator," Jun. 25, 2018, Amazon.com, www.amazon.com/dp/B07CT5BL6S (Year: 2018).*
Koozie, "Koozie Stainless Steel Double Wall Vacuum Insulated Triple Can Cooler," Mar. 19, 2019, Amazon.com, www.amazon.com/dp/B07PV4V3TD (Year: 2019).*
Vastigo, "16 oz. Beer Bottle and Can Insulator, Cooler, and Tumbler," Aug. 2, 2019, Amazon.com, www.amazon.com/dp/B07W14WR19 (Year: 2019).*
Reduce, "Reduce Replacement Lids for Can Cooler/Drink Cooler," Jun. 9, 2020, Amazon.com, www.amazon.com/dp/B089Y1534Q (Year: 2020).*

* cited by examiner

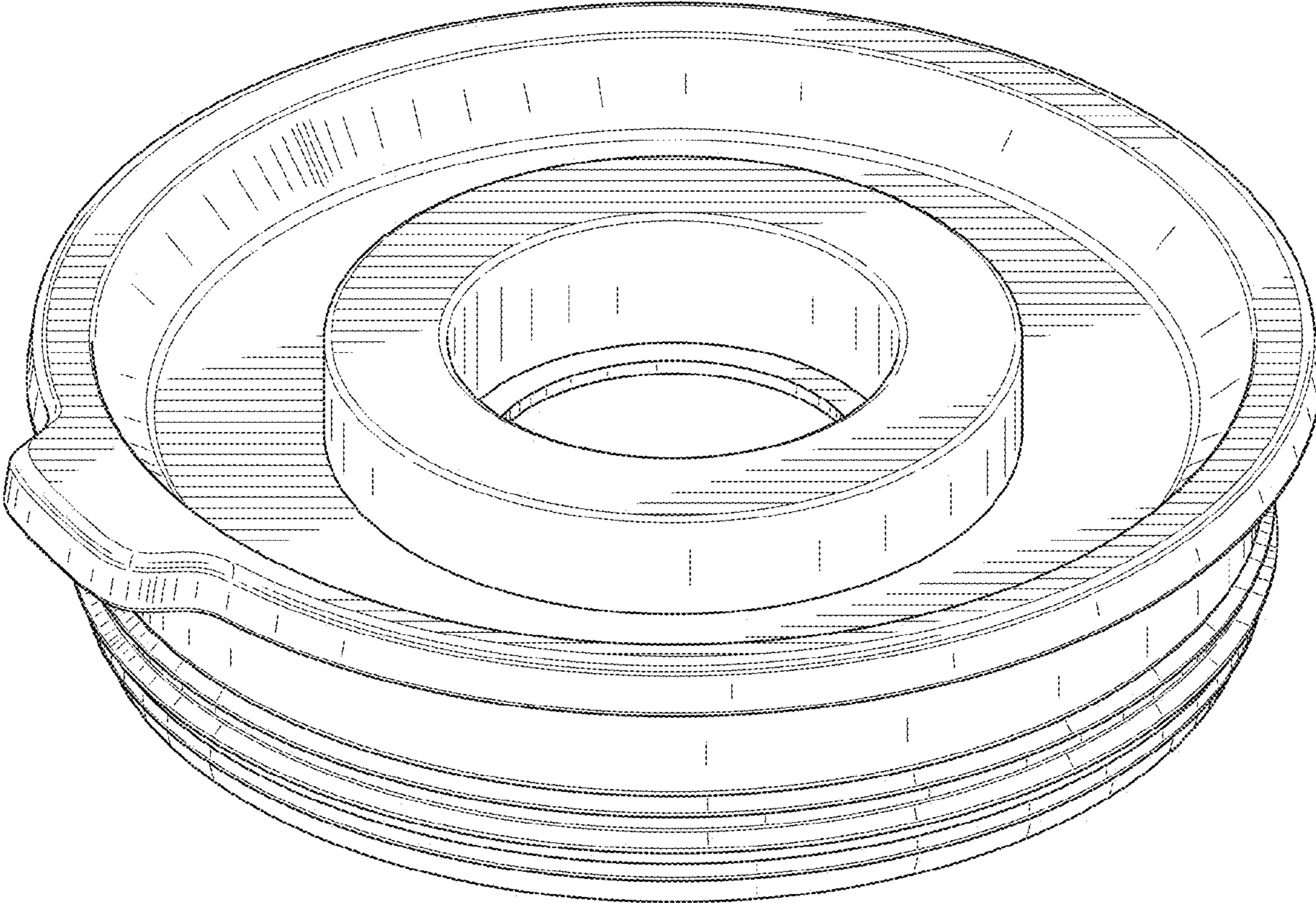


FIG. 1



FIG. 2

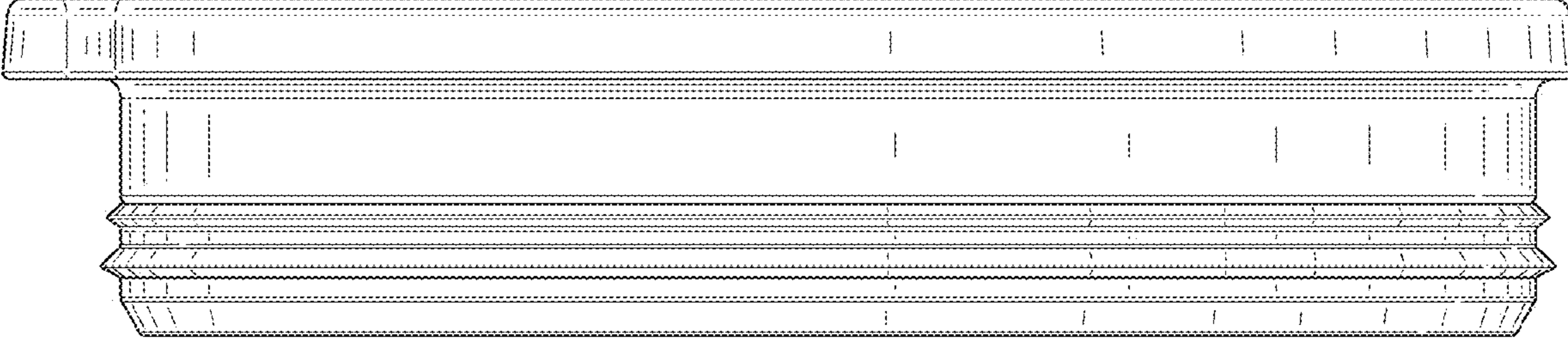


FIG. 3

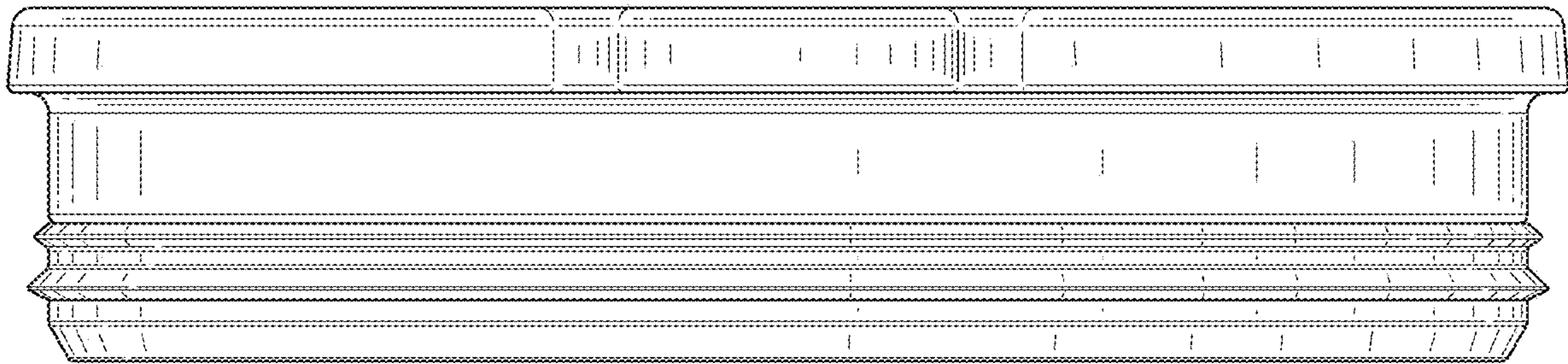


FIG. 4

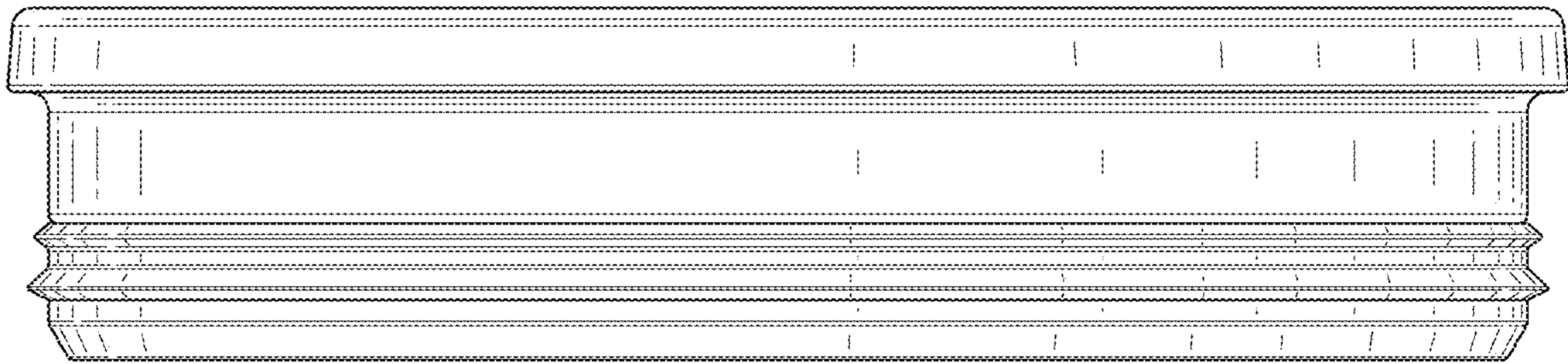


FIG. 5

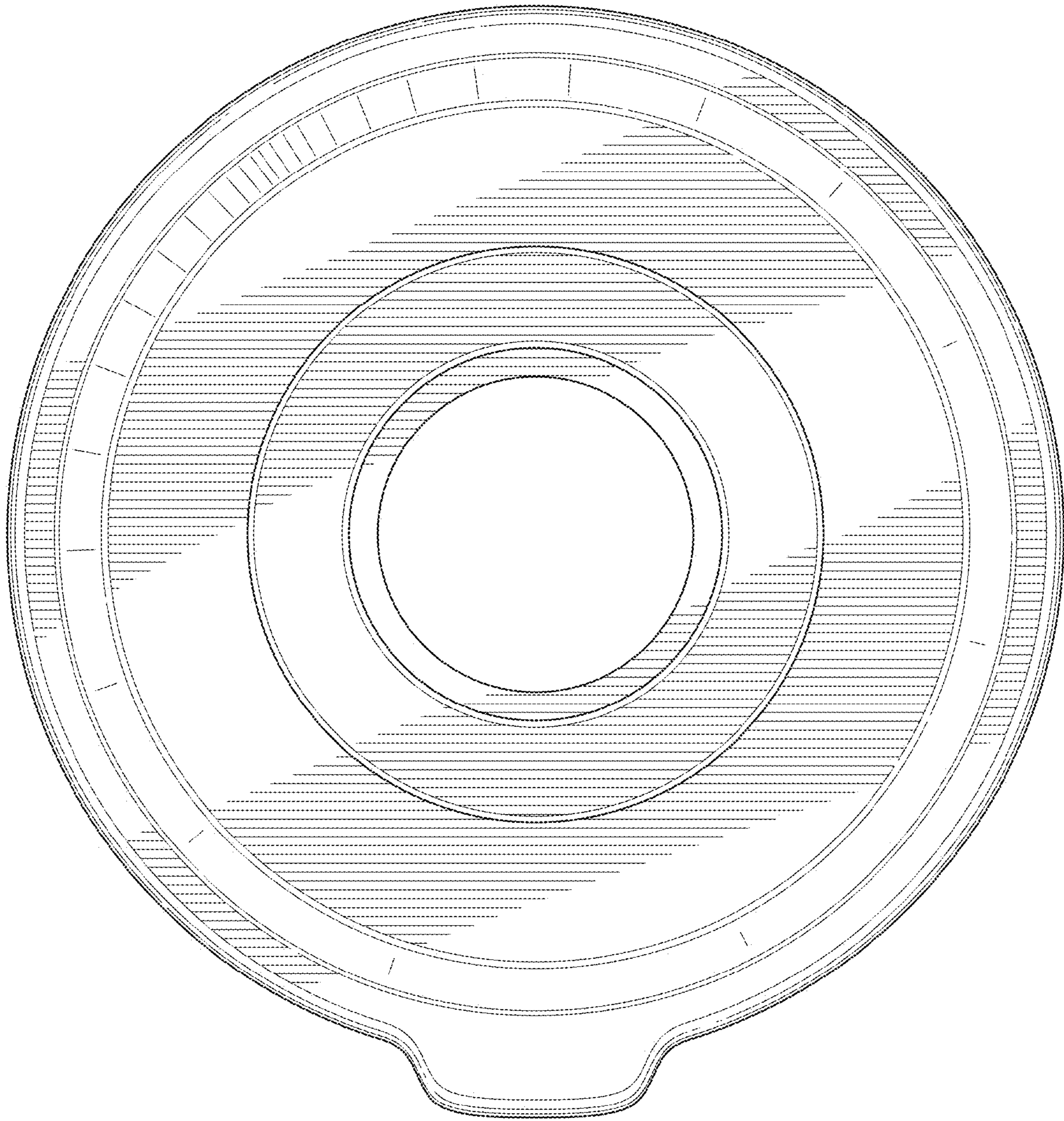


FIG. 6

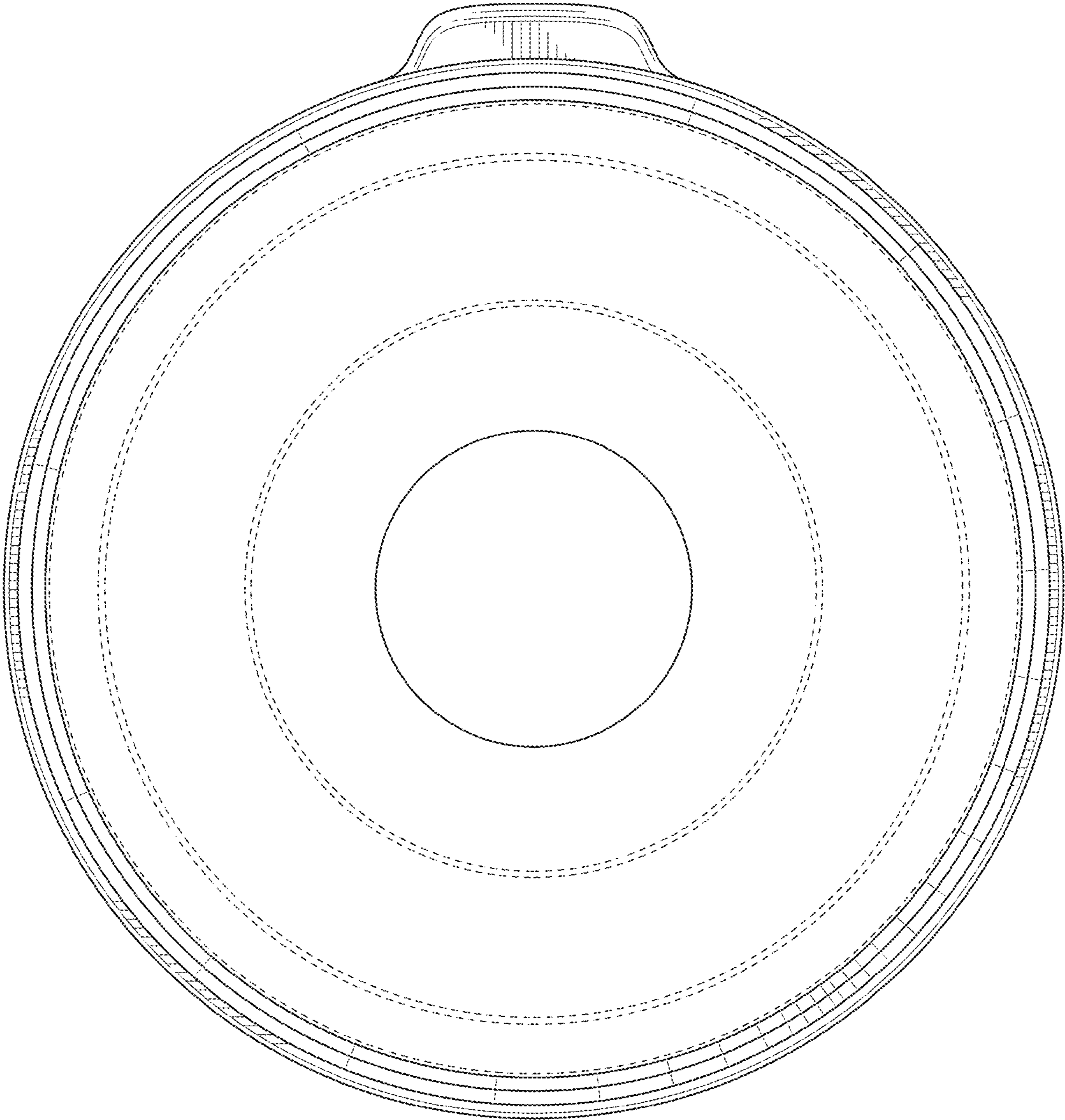


FIG. 7