



US00D912460S

(12) **United States Design Patent** (10) **Patent No.:** **US D912,460 S**  
**Ye et al.** (45) **Date of Patent:** **\*\* Mar. 9, 2021**

(54) **HAND BLENDER**  
(71) Applicant: **Hamilton Beach Brands, Inc.**, Glen Allen, VA (US)  
(72) Inventors: **Guoyao Ye**, Glen Allen, VA (US); **Annie Arnold Haun**, Richmond, VA (US)  
(73) Assignee: **Hamilton Beach Brands, INC.**, Glen Allen, VA (US)  
(\*\*) Term: **15 Years**

D534,032 S \* 12/2006 Lloyd ..... D7/380  
7,458,715 B2 12/2008 Garcia et al.  
D651,041 S \* 12/2011 Bachmann ..... D7/380  
D662,765 S \* 7/2012 Grabes ..... D7/380  
8,353,620 B2 1/2013 Ogrizek et al.  
D681,391 S \* 5/2013 Agren ..... D7/380  
D691,412 S \* 10/2013 Ragot ..... D7/379  
D724,373 S \* 3/2015 Ji ..... D7/380  
D724,374 S \* 3/2015 Sanguinetti ..... D7/380  
D726,496 S \* 4/2015 Vu ..... D7/380  
D731,236 S \* 6/2015 Yin ..... D7/380  
D817,081 S \* 5/2018 Verbrugge ..... D7/379  
10,070,756 B2 9/2018 Planegger et al.  
D846,340 S \* 4/2019 Gan ..... D7/380  
D886,512 S \* 6/2020 Thun ..... D7/379  
2007/0054744 A1 3/2007 Garcia et al.

(21) Appl. No.: **29/710,731**

FOREIGN PATENT DOCUMENTS

(22) Filed: **Oct. 25, 2019**  
(51) **LOC (13) Cl.** ..... **31-00**  
(52) **U.S. Cl.**  
USPC ..... **D7/380**; D7/376; D7/379  
(58) **Field of Classification Search**  
USPC ..... D7/372, 376-386, 412-413, 602, 629,  
D7/665-666, 669, 679, 693-694  
CPC .... A21C 1/02; A21C 1/04; A23N 1/00; A23N  
1/02; A47J 43/04; A47J 43/25; A47J  
43/27; A47J 43/042; A47J 43/044; A47J  
43/046; A47J 43/075; A47J 43/0716;  
A47J 43/0722; A47J 43/0727; B01F 3/00;  
B01F 3/0807; B01F 3/0853; B01F  
13/0059; B01F 13/0064; B02C 1/08;  
B02C 2/04; B02C 4/42; B02C 4/142;  
B02C 4/143; B02C 4/423; B02C 13/1835;  
B28C 5/10; B28C 5/12; B28C 5/14;  
B28C 5/16; F21S 9/02  
See application file for complete search history.

DE 20006028 7/2000  
FR 2794017 A1 12/2000

\* cited by examiner

*Primary Examiner* — Ricky Pham  
(74) *Attorney, Agent, or Firm* — Alexander D. Raring

(57) **CLAIM**

The ornamental design for a hand blender, as shown and described.

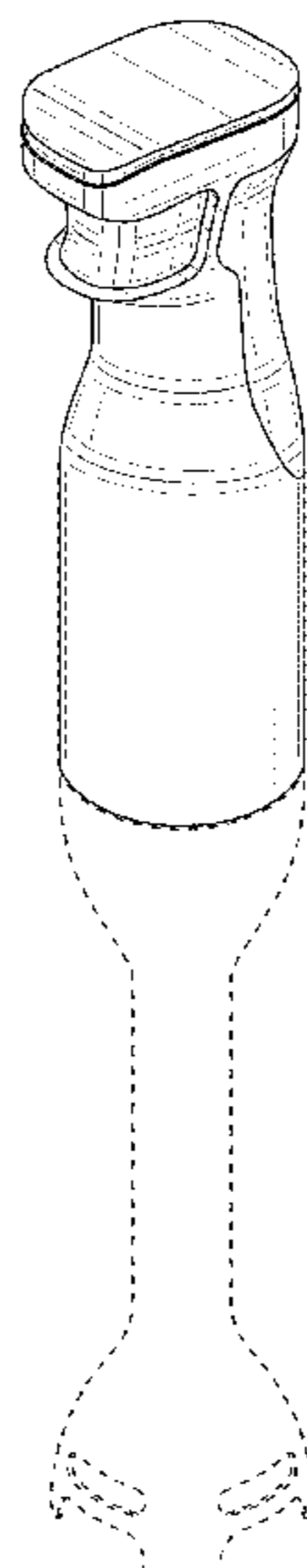
**DESCRIPTION**

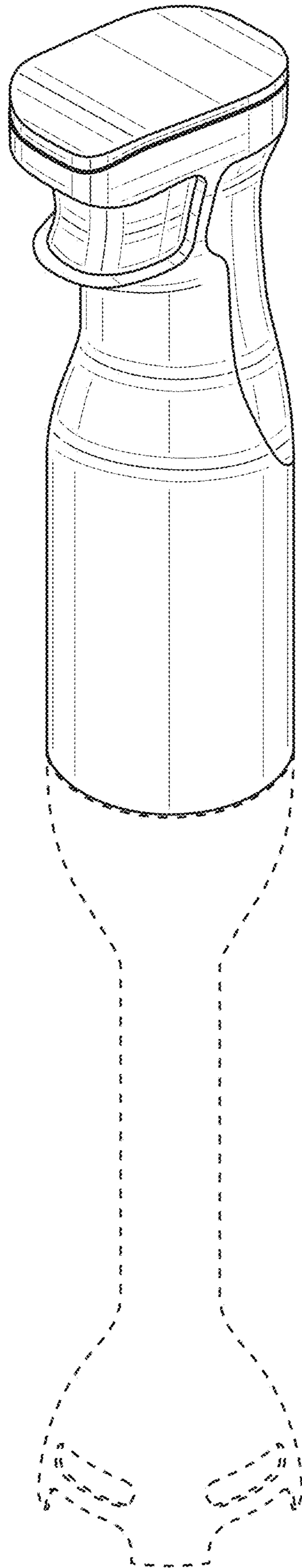
FIG. 1 is a perspective view as seen from the top, left and front sides of a hand blender showing the new design; FIG. 2 is a front side view thereof; FIG. 3 is a rear view thereof; FIG. 4 is a right side view thereof; FIG. 5 is a left side view thereof; FIG. 6 is a top view thereof; and, FIG. 7 is a bottom view thereof. The broken lines shown in the drawings depict portions of the hand blender that form no part of the claimed.

(56) **References Cited**  
U.S. PATENT DOCUMENTS

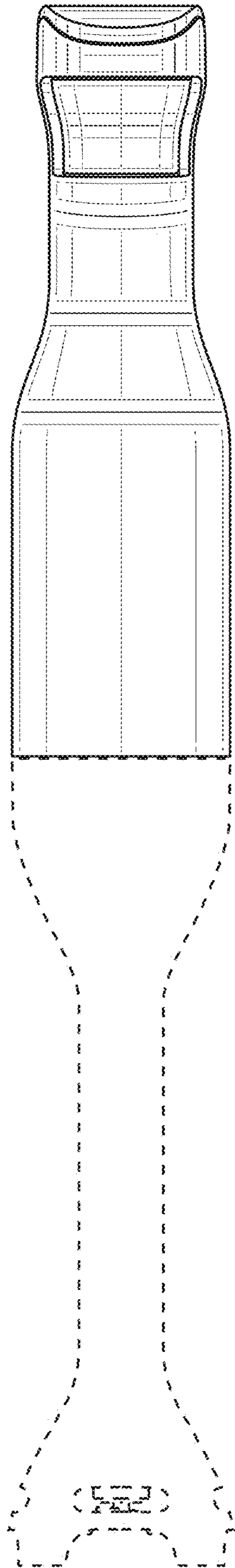
D394,367 S \* 5/1998 Littmann ..... D7/376  
6,789,933 B2 9/2004 Gili et al.  
6,811,298 B2 11/2004 Penaranda et al.

**1 Claim, 7 Drawing Sheets**

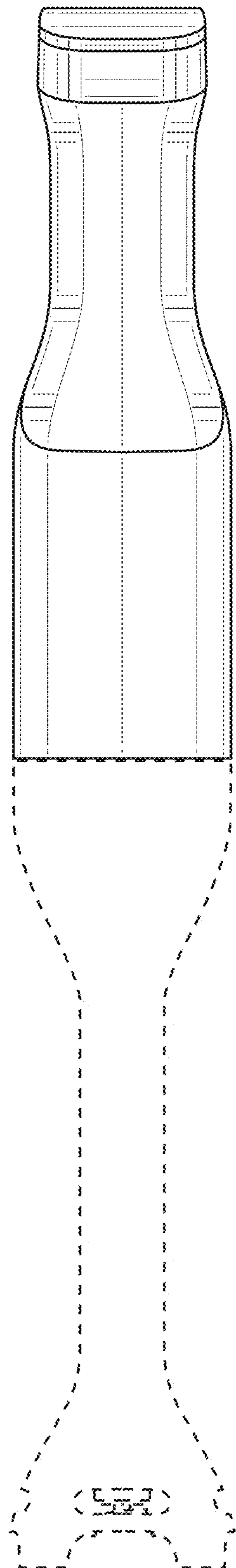




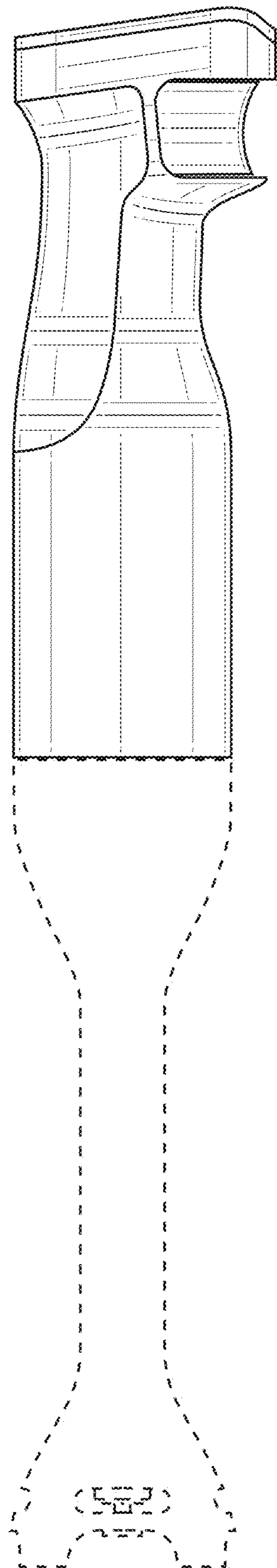
**FIG. 1**



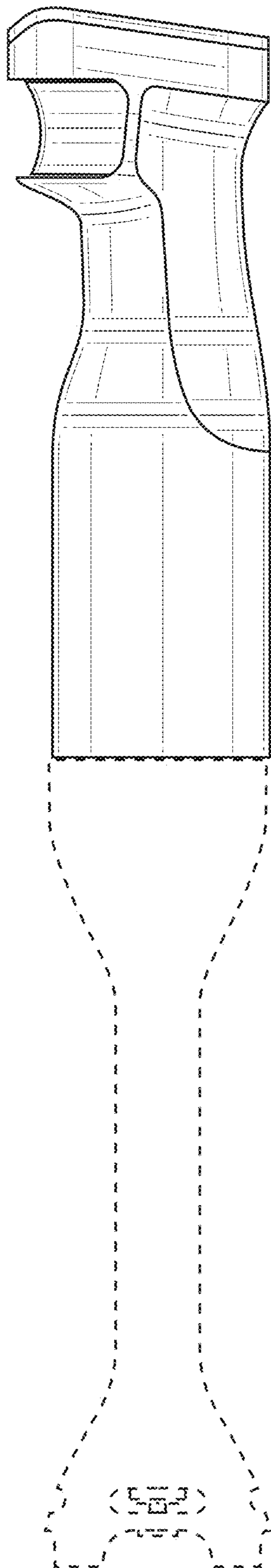
**FIG. 2**



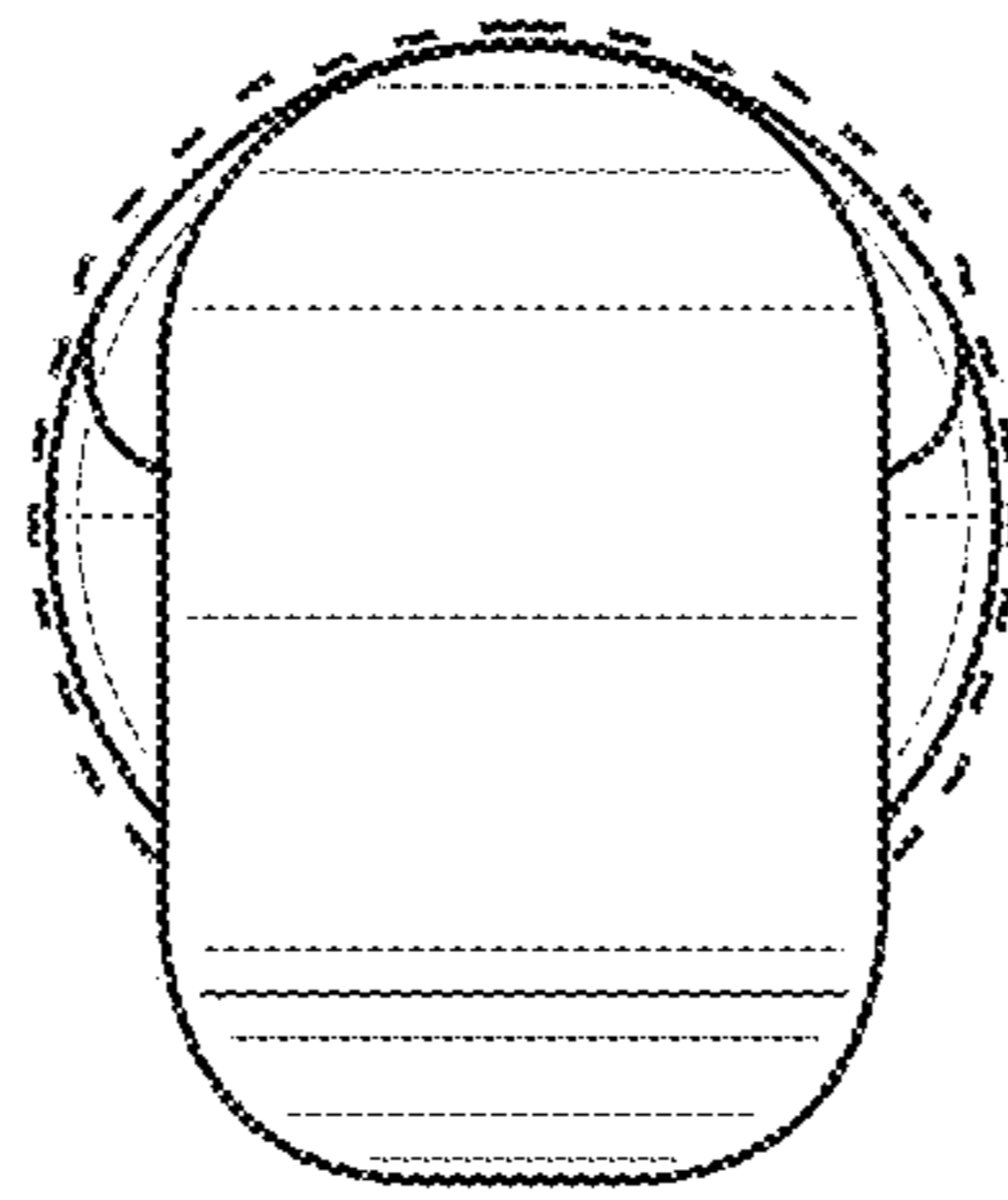
**FIG. 3**



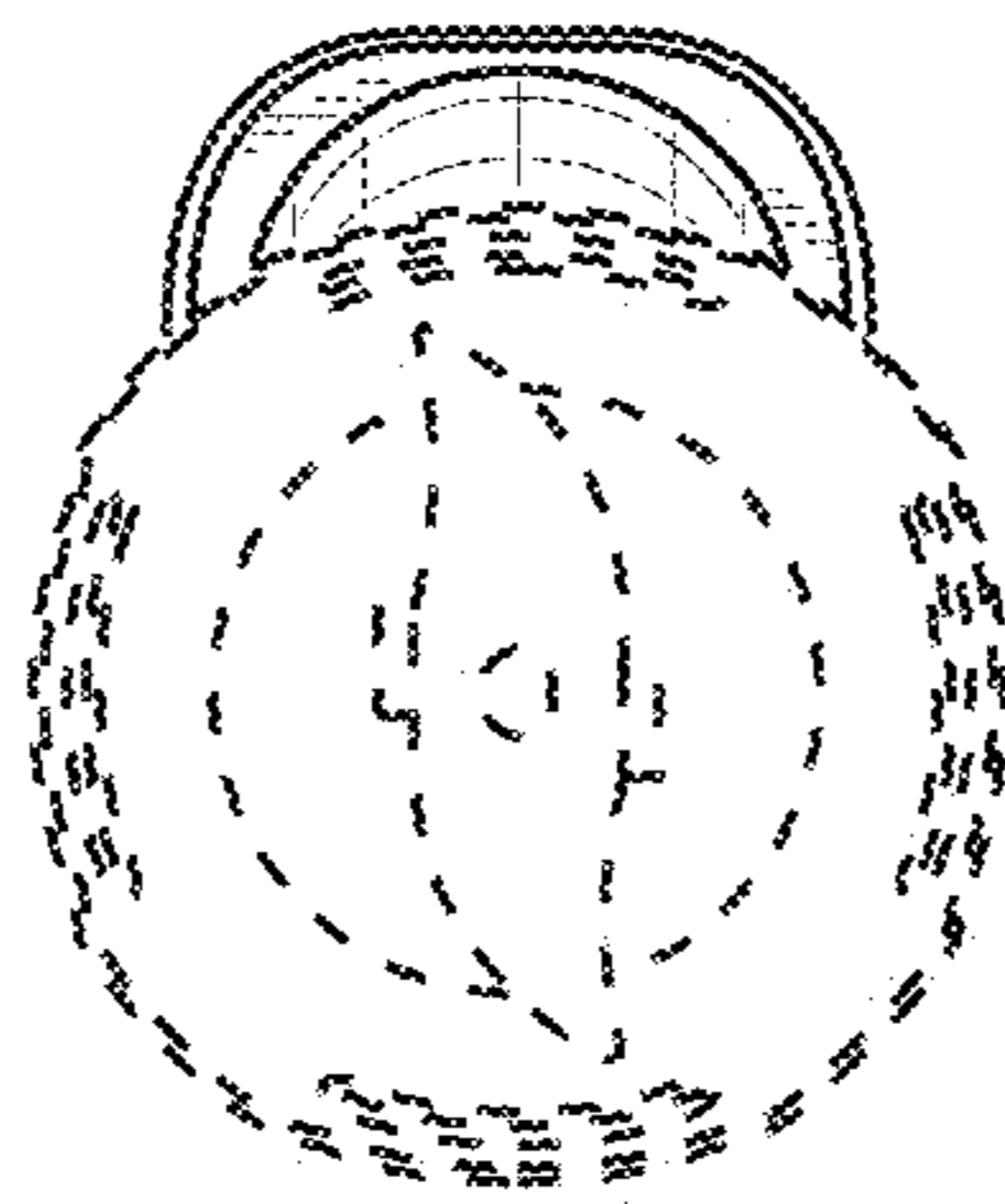
**FIG. 4**



**FIG. 5**



**FIG. 6**



**FIG. 7**