



US00D912456S

(12) **United States Design Patent** (10) **Patent No.:** **US D912,456 S**  
**Lamier** (45) **Date of Patent:** **\*\* Mar. 9, 2021**

(54) **SMOKE GENERATOR**

- (71) Applicant: **Smokin-It, LLC**, Montgomery, MI (US)
- (72) Inventor: **Stephen L. Lamier**, Montgomery, MI (US)
- (73) Assignee: **SMOKIN-IT, LLC**, Montgomery, MI (US)

(\*\*) Term: **15 Years**

(21) Appl. No.: **29/719,423**

(22) Filed: **Jan. 3, 2020**

(51) **LOC (13) Cl.** ..... **07-02**

(52) **U.S. Cl.**  
USPC ..... **D7/332**

(58) **Field of Classification Search**  
 USPC ..... D7/323, 327, 332, 334, 335, 339, 347, D7/348, 350.2, 350.3, 350.4, 354, 402  
 CPC .. A47J 33/00; A47J 36/38; A47J 37/00; A47J 37/04; A47J 37/06; A47J 37/0623; A47J 37/0629; A47J 37/0635; A47J 37/0647; A47J 37/0652; A47J 37/0658; A47J 37/07; A47J 37/0704; A47J 37/0709; A47J 37/0713; A47J 37/0718; A47J 37/0722; A47J 37/0727; A47J 37/075; A47J 37/0754; A47J 37/0763; A47J 37/0786; A47J 2037/0777; F24C 1/16; F24C 5/20  
 See application file for complete search history.

(56) **References Cited**

**U.S. PATENT DOCUMENTS**

2017/0227232 A1\* 8/2017 Hamm ..... F24C 15/18

**OTHER PUBLICATIONS**

Design No. D1579447, May 26, 2017—Japan Intellectual Property Association (JIPA) Publication Date—Jun. 19, 2017 Owner—

Keihan Shiko Co., Ltd., Designer—Jutani Shoji DesignView, available at [www.tmdn.org/tmdsview-web/welcome](http://www.tmdn.org/tmdsview-web/welcome) (Year: 2017).\*  
 Bella's Cold Smoke Generator, Amazon.com, [online], [site visited Jan. 21, 2021], Available from internet URL: <https://www.amazon.com/Smokin-It-Bellas-Cold-Smoke-Generator/dp/B084Q599JG> (Year: 2021).\*  
 Bella's Cold Smoke Generator, Smokin-It, [online], [site visited Jan. 21, 2021], Available from internet URL: <https://www.smokin-it.com/product-p/bsmkgen.htm> (Year: 2021).\*

(Continued)

*Primary Examiner* — Mary Ann Calabrese  
*Assistant Examiner* — Natalya M Rapundalo  
 (74) *Attorney, Agent, or Firm* — Shane Cortesi

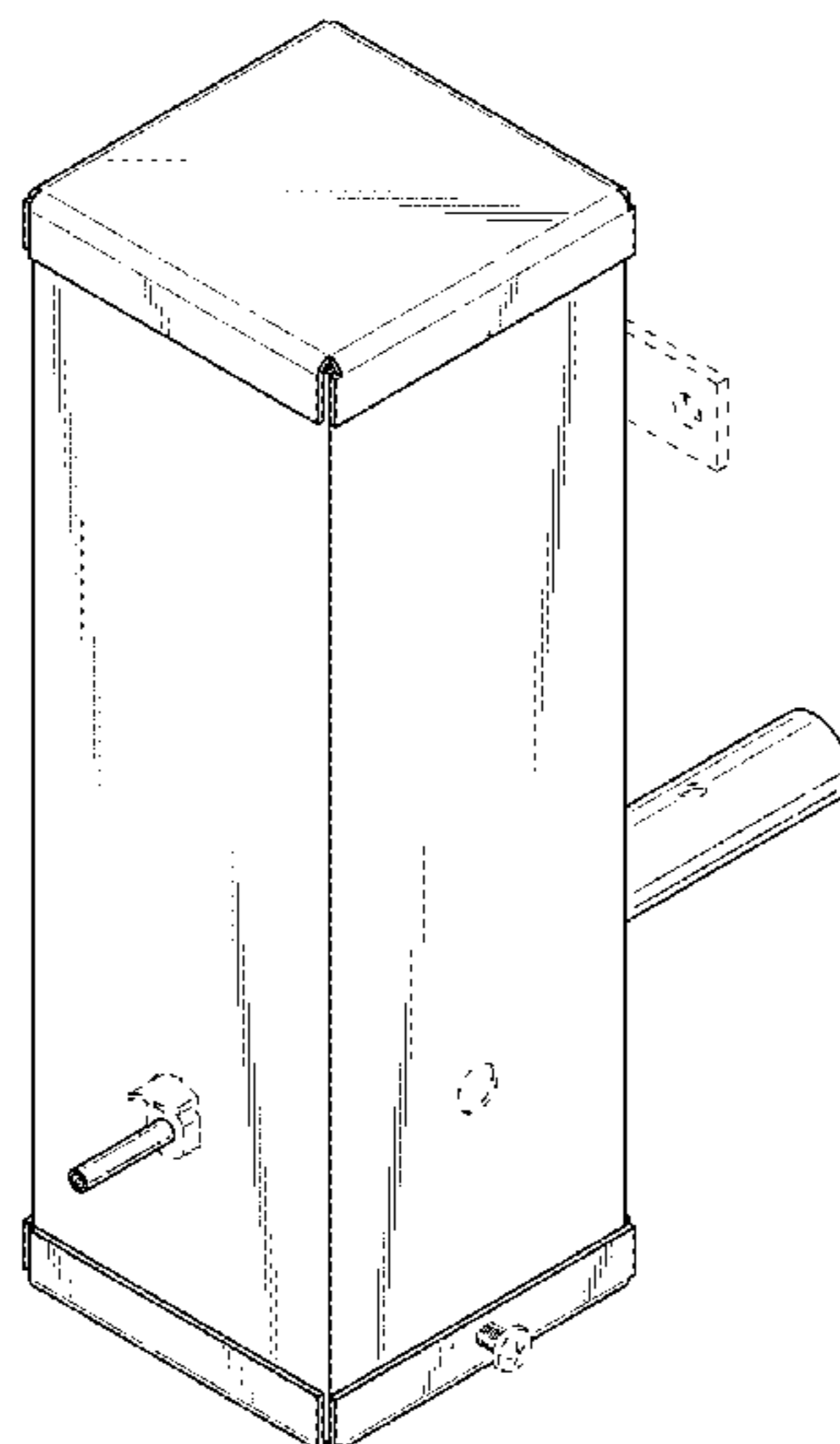
(57) **CLAIM**

The ornamental design for a smoke generator, as shown and described.

**DESCRIPTION**

FIG. 1 is a top perspective view of a smoke generator in accordance with the present invention.  
 FIG. 2 is a bottom perspective view showing the smoke generator of FIG. 1.  
 FIG. 3 is a front elevation view showing the smoke generator of FIG. 1.  
 FIG. 4 is a rear elevation view showing the smoke generator of FIG. 1.  
 FIG. 5 is a left elevation view showing the smoke generator of FIG. 1.  
 FIG. 6 is a right elevation view showing the smoke generator of FIG. 1.  
 FIG. 7 is a top plan view showing the smoke generator of FIG. 1.  
 FIG. 8 is a bottom plan view showing the smoke generator of FIG. 1; and,  
 FIG. 9 is a top perspective view with the lid separated showing the smoke generator of FIG. 1.  
 The broken lines shown in the Figures depict environmental subject matter only and are not part of the claimed design.

**1 Claim, 9 Drawing Sheets**



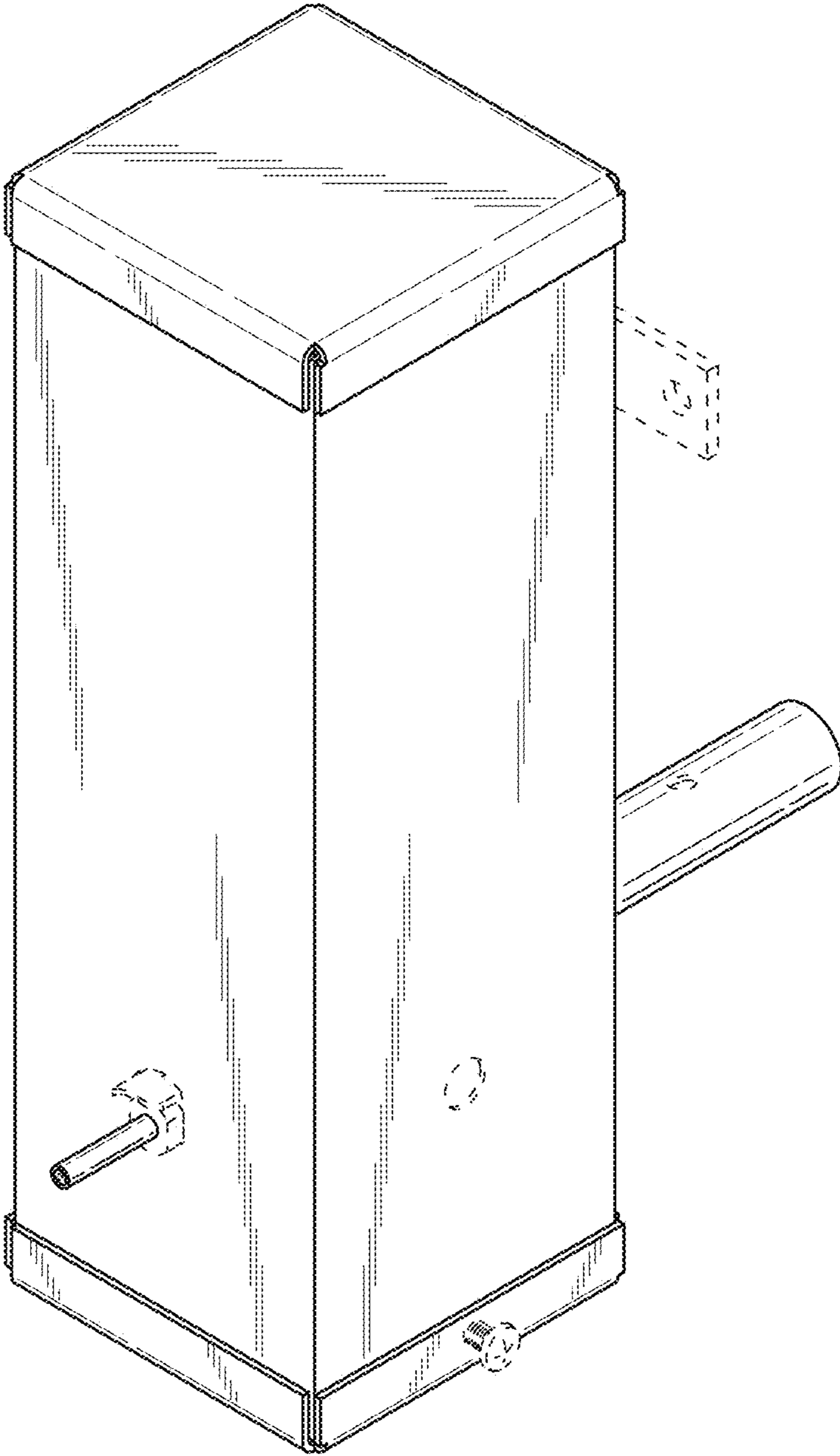
(56)

**References Cited**

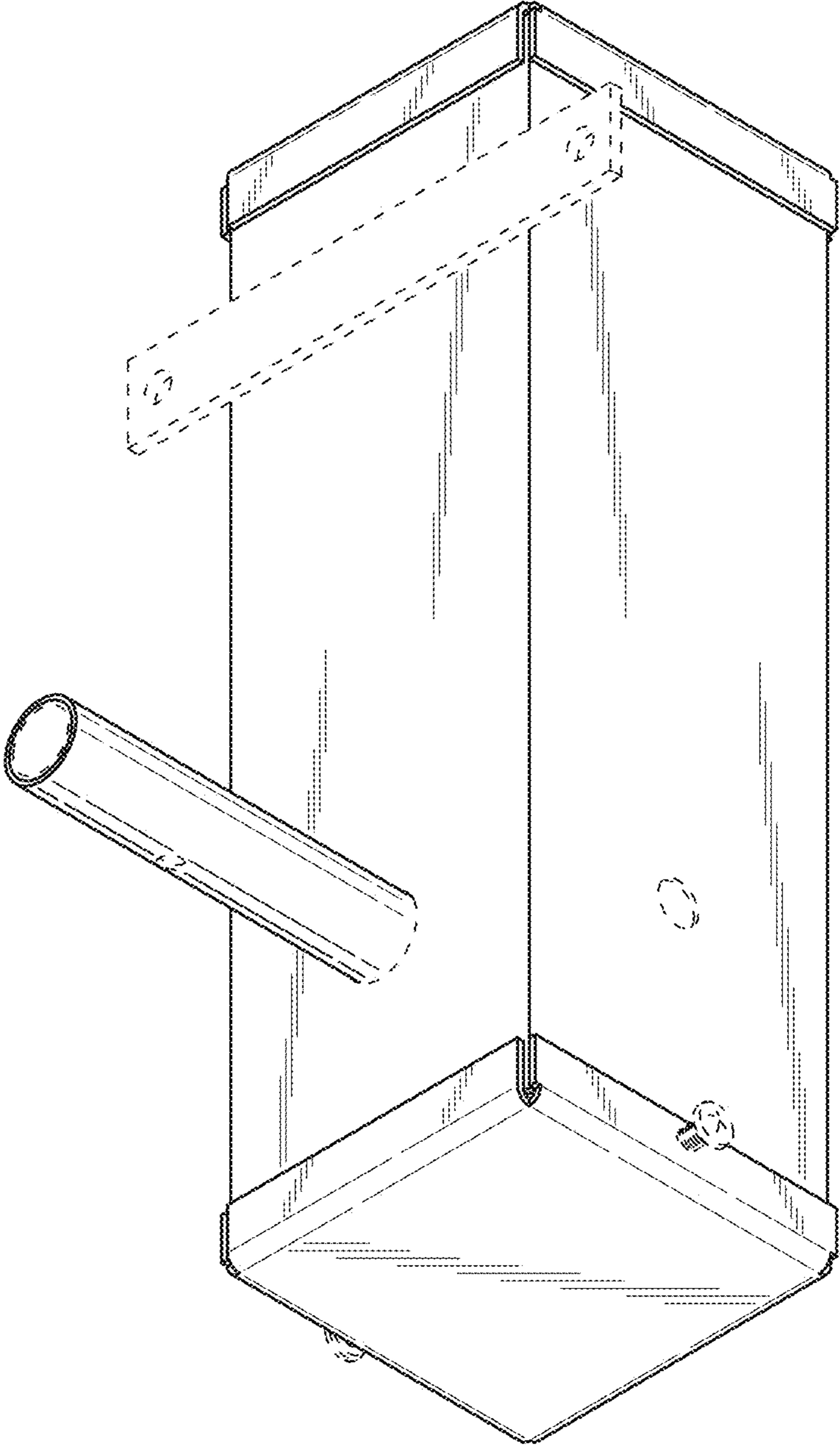
OTHER PUBLICATIONS

The Smokai Range, Smokai.com, [online], [site visited Jan. 22, 2021], Available from internet URL: [https://smokai.com/pages/the-range?gclid=EAlalQobChMI7PLT0quw7gIVGOTICh2UkggvEAAYASAAEgJkOPD\\_BwE](https://smokai.com/pages/the-range?gclid=EAlalQobChMI7PLT0quw7gIVGOTICh2UkggvEAAYASAAEgJkOPD_BwE) (Year: 2021).\*

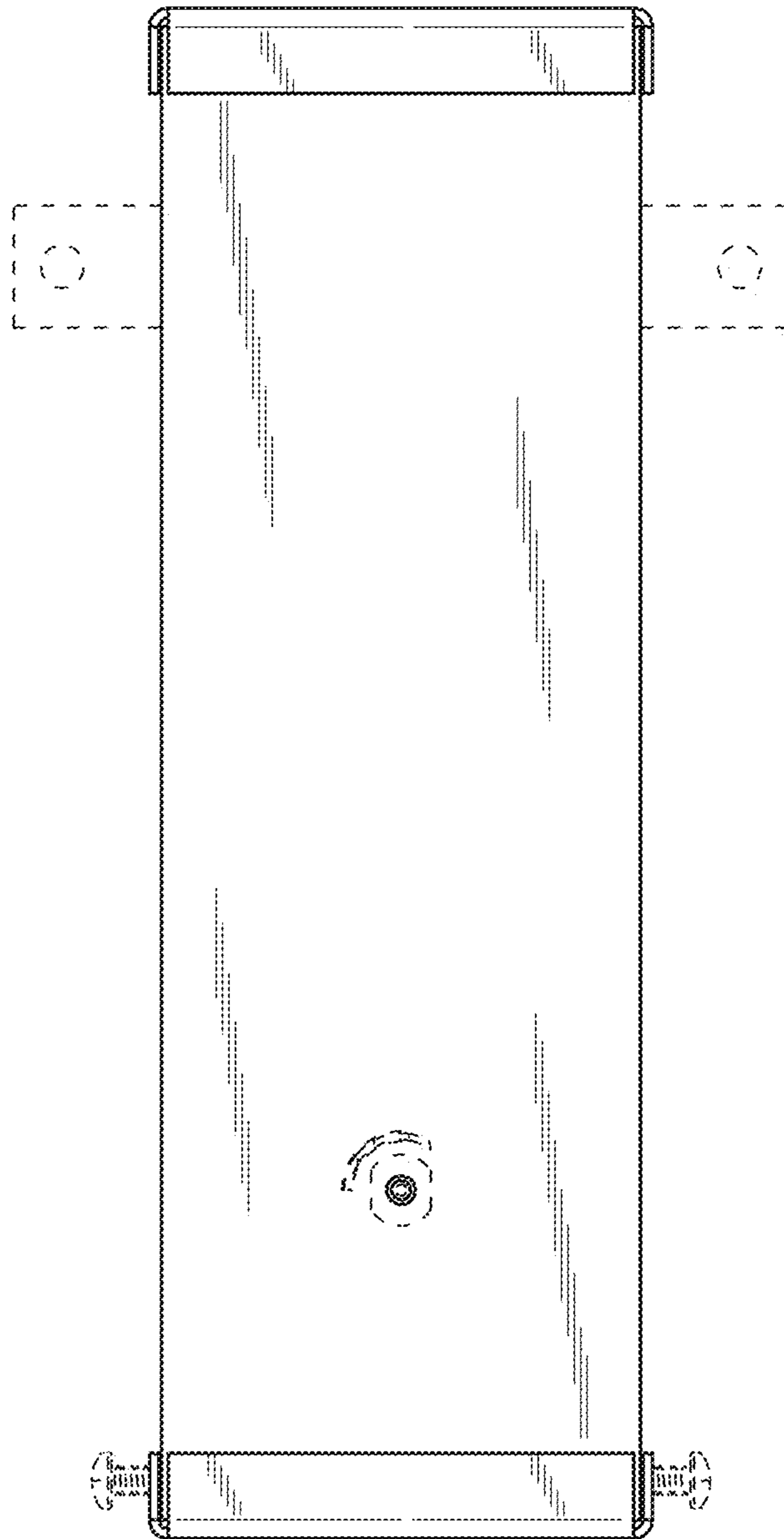
\* cited by examiner



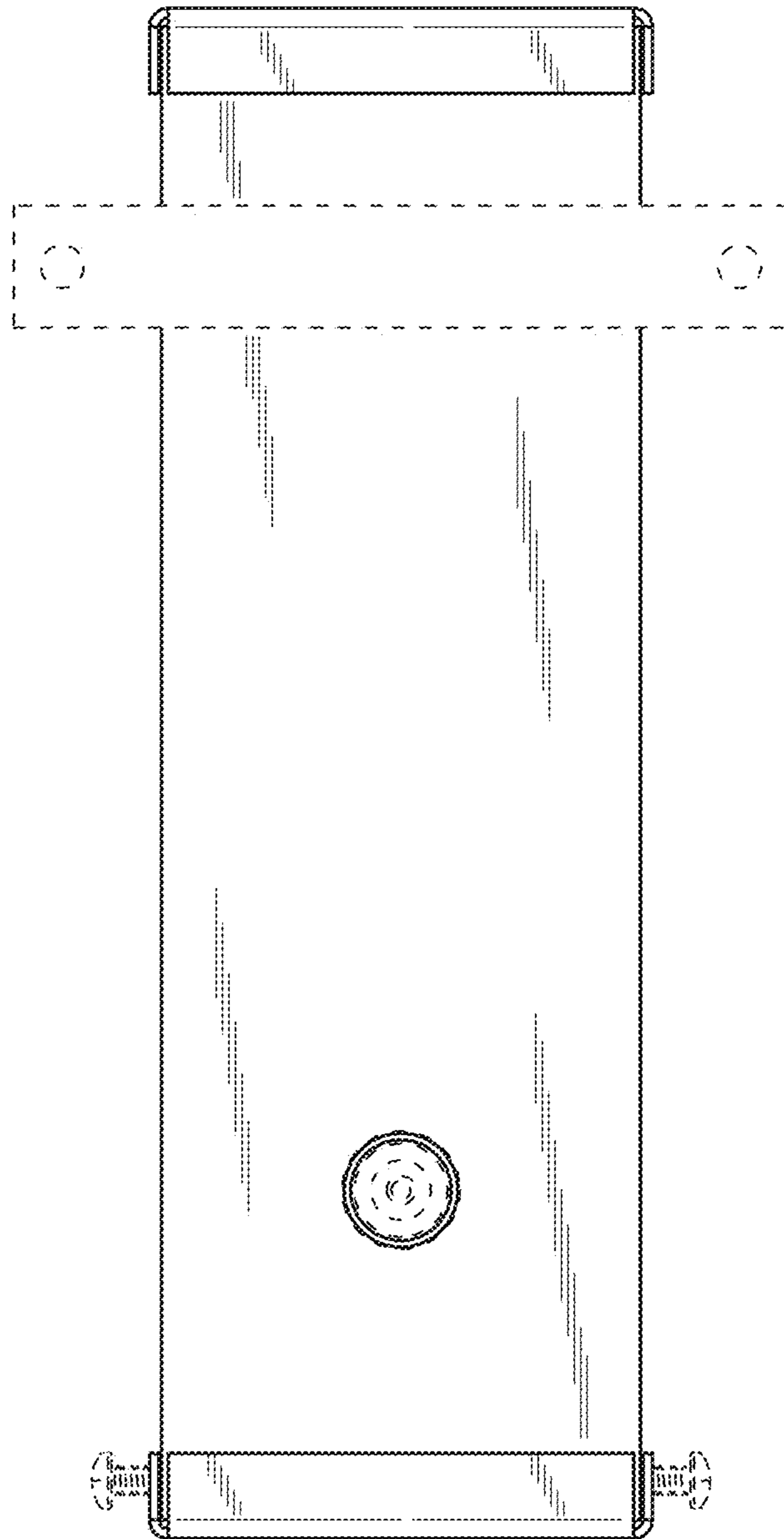
*FIG. 1*



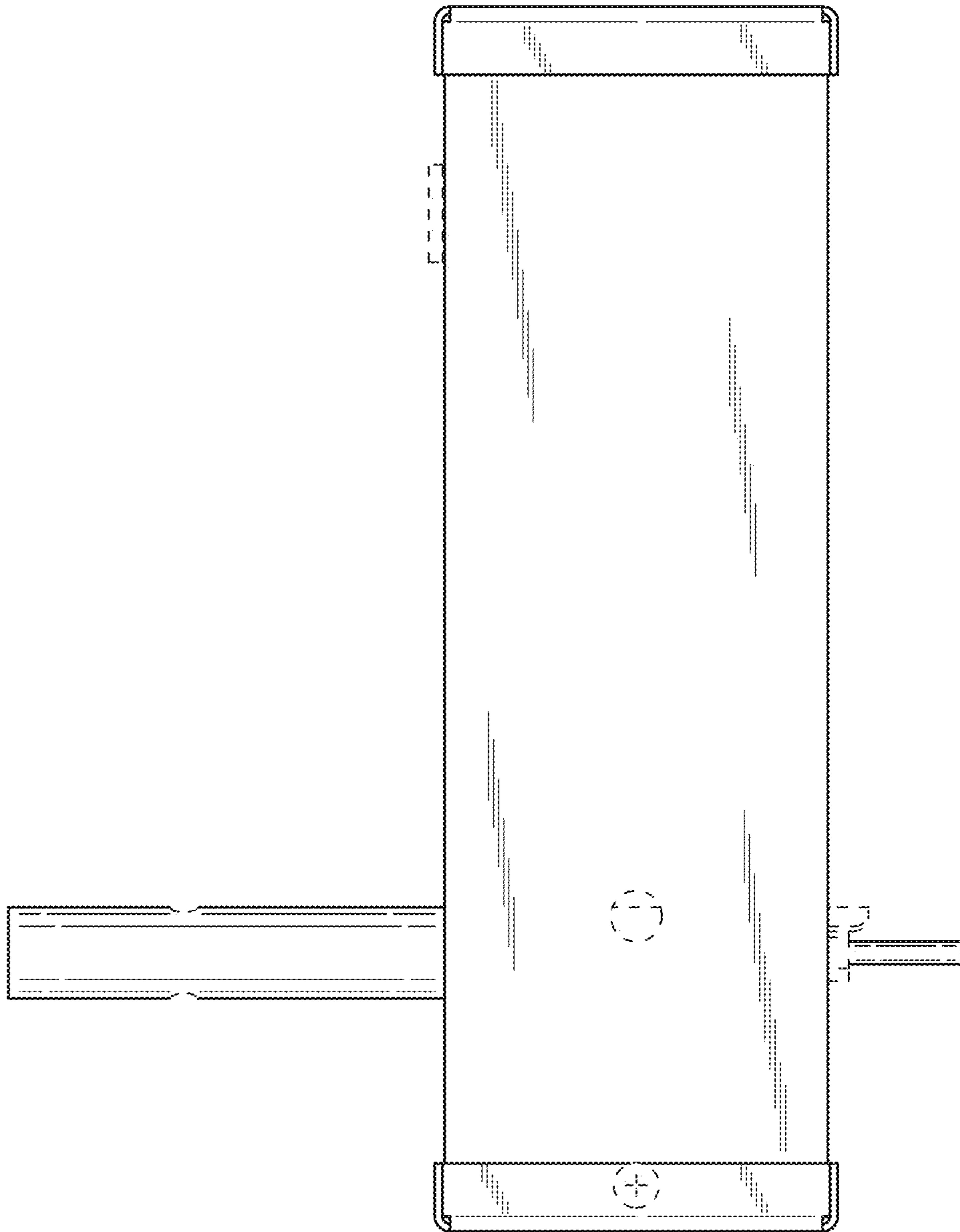
*FIG. 2*



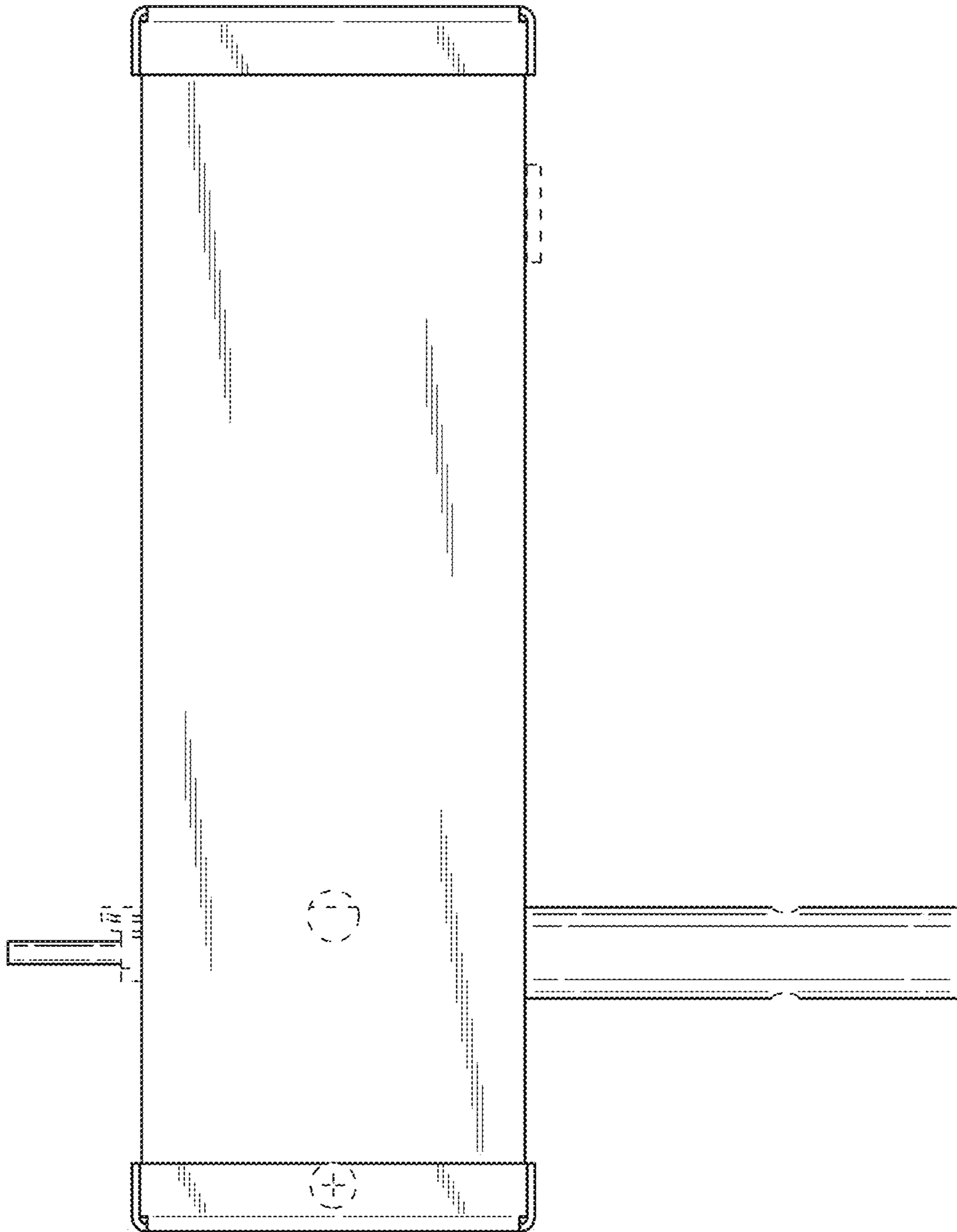
*FIG. 3*



*FIG. 4*

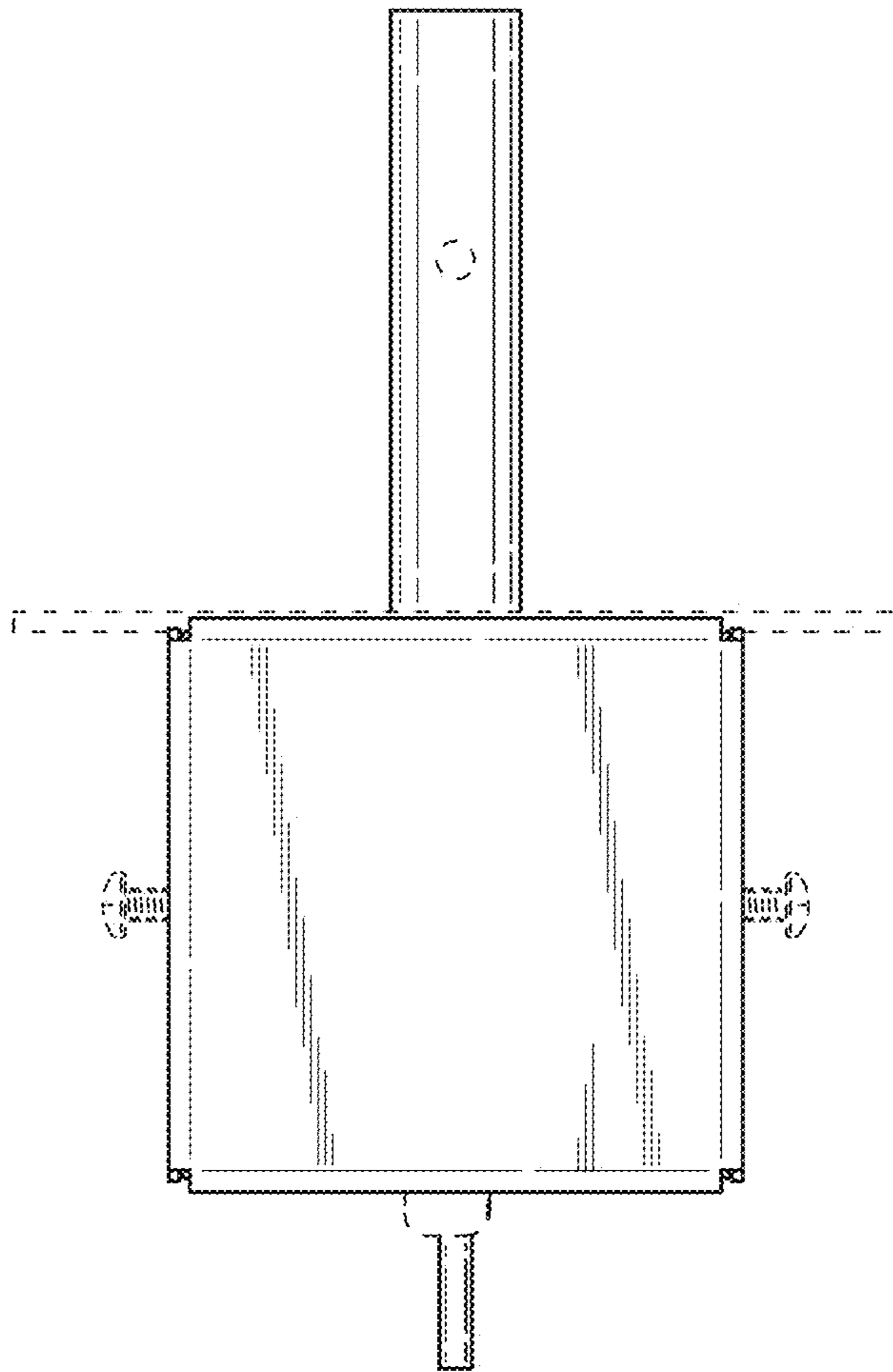


*FIG. 5*

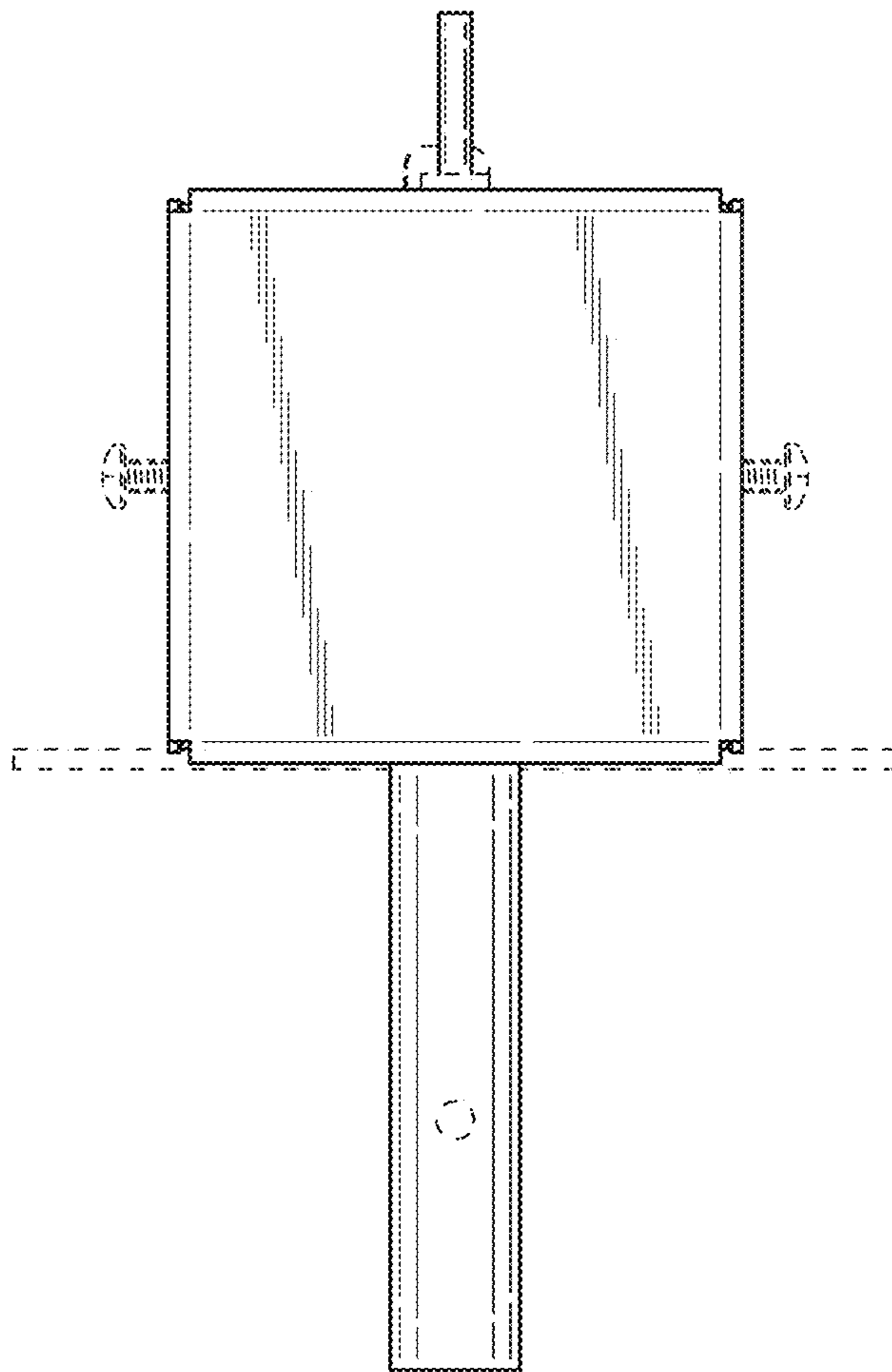


*FIG. 6*





*FIG. 7*



*FIG. 8*

*FIG. 9*

