



US00D912455S

(12) **United States Design Patent** (10) **Patent No.:** **US D912,455 S**  
**Brega et al.** (45) **Date of Patent:** **\*\* Mar. 9, 2021**

(54) **TOASTER**

(71) Applicant: **BREVILLE PTY LIMITED,**  
Alexandria (AU)  
(72) Inventors: **Tristan Brega,** Alexandria (AU);  
**Gerard White,** Alexandria (AU);  
**David Davenport,** Alexandria (AU);  
**Richard Hoare,** Alexandria (AU)  
(73) Assignee: **BREVILLE PTY LIMITED,**  
Alexandria (AU)

(\*\*) Term: **15 Years**

(21) Appl. No.: **29/716,834**

(22) Filed: **Dec. 12, 2019**

(30) **Foreign Application Priority Data**

Aug. 28, 2019 (AU) ..... 201914941

(51) **LOC (13) Cl.** ..... **07-02**

(52) **U.S. Cl.**  
USPC ..... **D7/330**

(58) **Field of Classification Search**  
USPC ..... D7/328, 329, 330, 331, 339, 340, 341,  
D7/342, 343, 344, 345, 346, 347, 348,  
D7/349, 351, 352, 390, 402, 405, 406;  
D21/523, 524

CPC .... A47J 37/08; A47J 37/0807; A47J 37/0814;  
A47J 37/0821; A47J 37/0828; A47J  
37/0835; A47J 37/0842; A47J 37/085;  
A47J 37/0857; A47J 37/0864; A47J  
37/0871; A47J 37/0878; A47J 37/0885;  
A47J 37/0892; A47J 37/0611; A47J  
37/0623; A47J 37/0629; A47J 37/00;  
A47J 37/04; A47J 37/06; A21B 1/50;  
A21B 1/52; A21B 5/00; F24C 15/02;  
F24C 15/04; F24C 15/10

See application file for complete search history.

(56) **References Cited**

U.S. PATENT DOCUMENTS

D423,865 S *	5/2000	Gaynor	.....	D7/330
D522,305 S *	6/2006	Morgan	.....	D7/330
D571,600 S *	6/2008	Robinson	.....	D7/330
D644,473 S *	9/2011	Pantaleo	.....	D7/330
D662,346 S *	6/2012	Choi	.....	D7/330
D663,568 S *	7/2012	Prevete	.....	D7/330
D688,508 S *	8/2013	Garman	.....	D7/330
D688,509 S *	8/2013	Carlson	.....	D7/330
D701,720 S *	4/2014	Palermo	.....	D7/330
D707,071 S *	6/2014	Gort-Barten	.....	D7/330

(Continued)

OTHER PUBLICATIONS

AmazonBasics 4-Slot Toaster, announced Apr. 10, 2020 [online],  
retrieved Nov. 3, 2020, retrieved from internet, [https://www.amazon.com/AmazonBasics-TA5728C-W-4-Slot-Toaster-White/dp/B07SW6TGQR/ref=psdc\\_289938\\_t1\\_B006REPXKA?th=1.\\*](https://www.amazon.com/AmazonBasics-TA5728C-W-4-Slot-Toaster-White/dp/B07SW6TGQR/ref=psdc_289938_t1_B006REPXKA?th=1.*)

(Continued)

*Primary Examiner* — Dana K Weiland  
*Assistant Examiner* — Messina L Smith  
(74) *Attorney, Agent, or Firm* — Moser Taboada

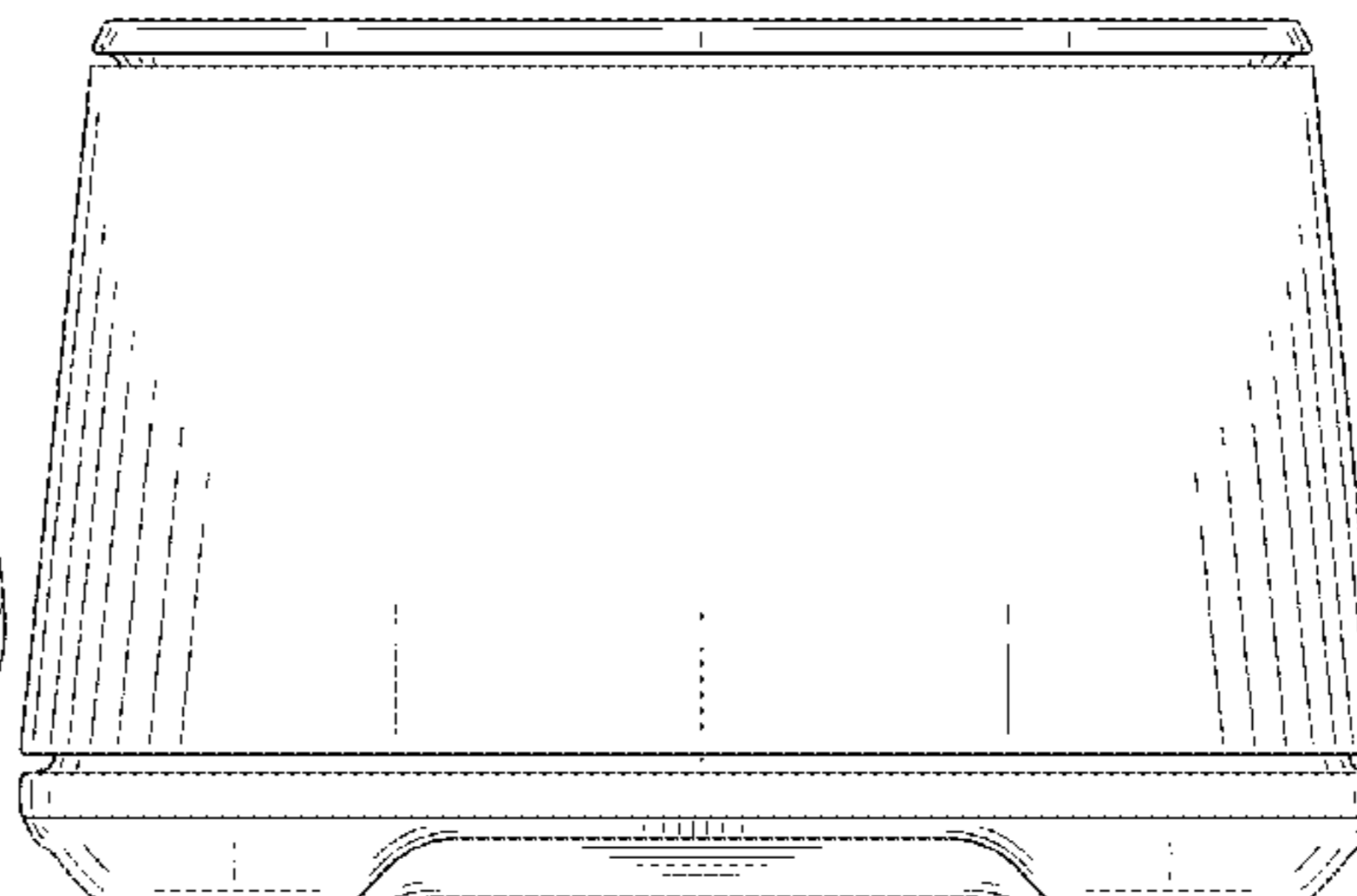
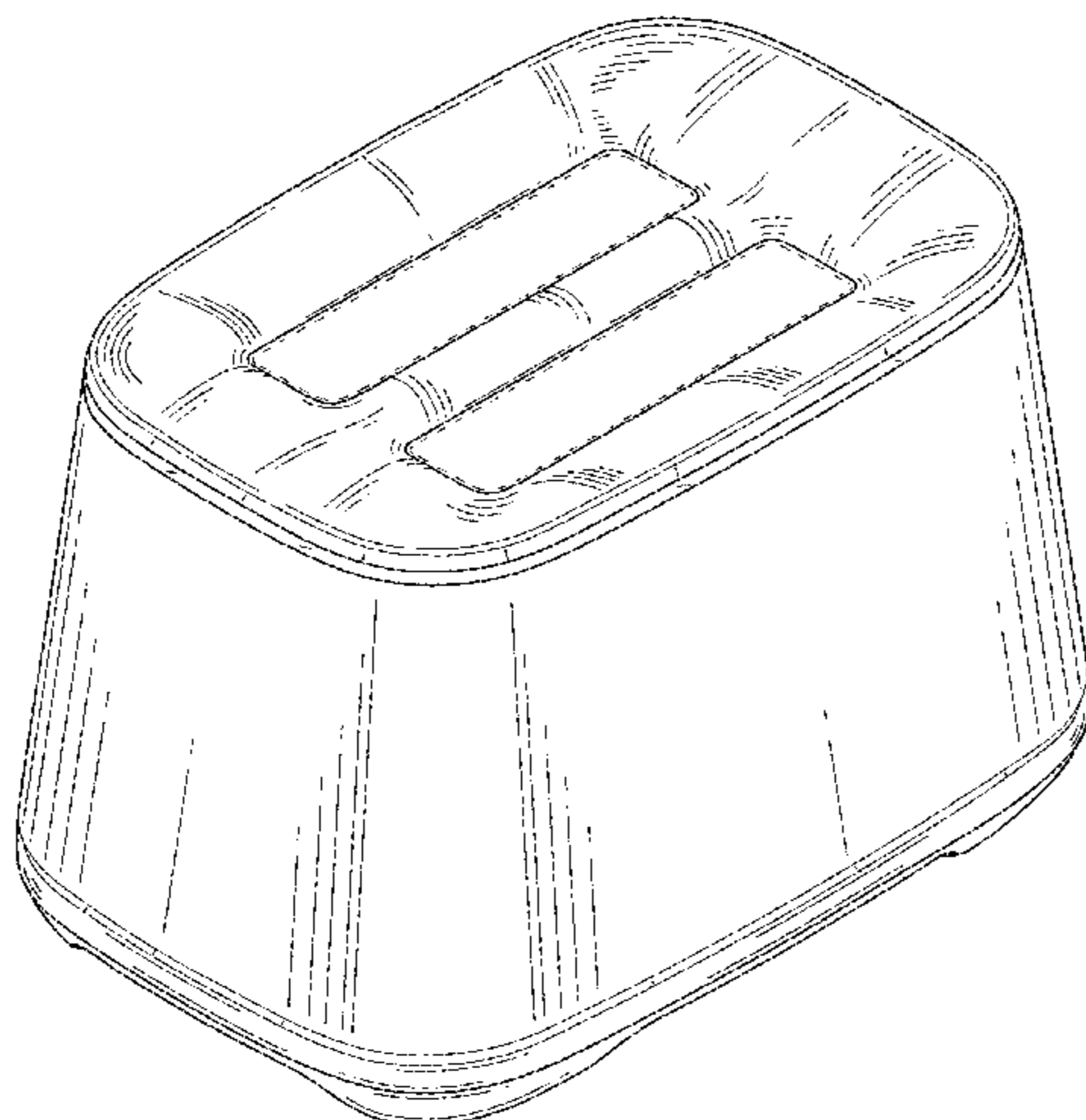
(57) **CLAIM**

The ornamental design for a toaster, as shown and described.

**DESCRIPTION**

FIG. 1 is a front perspective view of a toaster embodying the new design;  
FIG. 2 is a front view of the design of FIG. 1.  
FIG. 3 is a right side view of the design of FIG. 1.  
FIG. 4 is a back view of the design of FIG. 1.  
FIG. 5 is a left side view of the design of FIG. 1.  
FIG. 6 is a top view of the design of FIG. 1; and,  
FIG. 7 is a bottom view of the design of FIG. 1.

(Continued)



Portions of the toaster illustrated in broken lines form no part of the claimed design.

**1 Claim, 7 Drawing Sheets**

(56)

**References Cited**

U.S. PATENT DOCUMENTS

D724,885	S	*	3/2015	Kunz	.....	D7/330
D730,676	S	*	6/2015	Palmer	.....	D7/330
D746,093	S	*	12/2015	Bazzicalupo	.....	D7/330
D746,624	S	*	1/2016	Sun	.....	D7/330
D758,780	S	*	6/2016	Affatato	.....	D7/330
D758,781	S	*	6/2016	Yuan	.....	D7/330
D759,417	S	*	6/2016	Carpenter	.....	D7/330
D759,418	S	*	6/2016	Affatato	.....	D7/330
D761,610	S	*	7/2016	Carpenter	.....	D7/330
D765,456	S	*	9/2016	Lee	.....	D7/330
D791,526	S	*	7/2017	Rose	.....	D7/330
D794,995	S	*	8/2017	Bond	.....	D7/330
D796,890	S	*	9/2017	De'Longhi	.....	D7/330
D797,490	S	*	9/2017	Averty	.....	D7/330
D804,887	S	*	12/2017	Lin	.....	D7/330
D807,677	S	*	1/2018	Ho	.....	D7/330
D809,327	S		2/2018	Chalk et al.		
D812,408	S	*	3/2018	Li	.....	D7/330
D823,631	S	*	7/2018	Gort-Barten	.....	D7/330

D835,931	S	*	12/2018	Del Conte	.....	D7/330
D838,132	S	*	1/2019	Kowalewski	.....	D7/330
D839,654	S	*	2/2019	Lin	.....	D7/330
D843,768	S	*	3/2019	Miller	.....	D7/330
D843,769	S	*	3/2019	Chen	.....	D7/330
D862,149	S	*	10/2019	Gordon	.....	D7/330
D862,966	S	*	10/2019	Brook	.....	D7/330
D886,505	S	*	6/2020	Thun	.....	D7/330
2003/0198001	A1	*	10/2003	Lile	.....	A47J 37/0842 361/157
2014/0220210	A1	*	8/2014	Turner	.....	A47J 37/0814 426/496
2020/0329911	A1	*	10/2020	Starr	.....	A47J 37/0821

OTHER PUBLICATIONS

The best toasters of 2019, announced Feb. 8, 2019 [online], retrieved Nov. 3, 2020, retrieved from internet, <https://www.usatoday.com/story/tech/reviewedcom/2019/02/08/best-toasters-2019-breville-black-decker-cuisinart-hamilton-beach-kitchenaid/2811043002/>.\*

The Lift & Look® Pro-2 Slice, announced 2014 [online], retrieved Nov. 3, 2020, retrieved from internet, <https://www.breville.com/au/en/products/toasters/bta720.html>.\*

Breville's Newest Color Will Make Your Kitchen the Coolest Room in Your Home, announced Sep. 19, 2019 [online], retrieved Nov. 3, 2020, retrieved from internet, <https://www.foodandwine.com/lifestyle/kitchen/breville-new-luxe-appliance-colors>.\*

\* cited by examiner

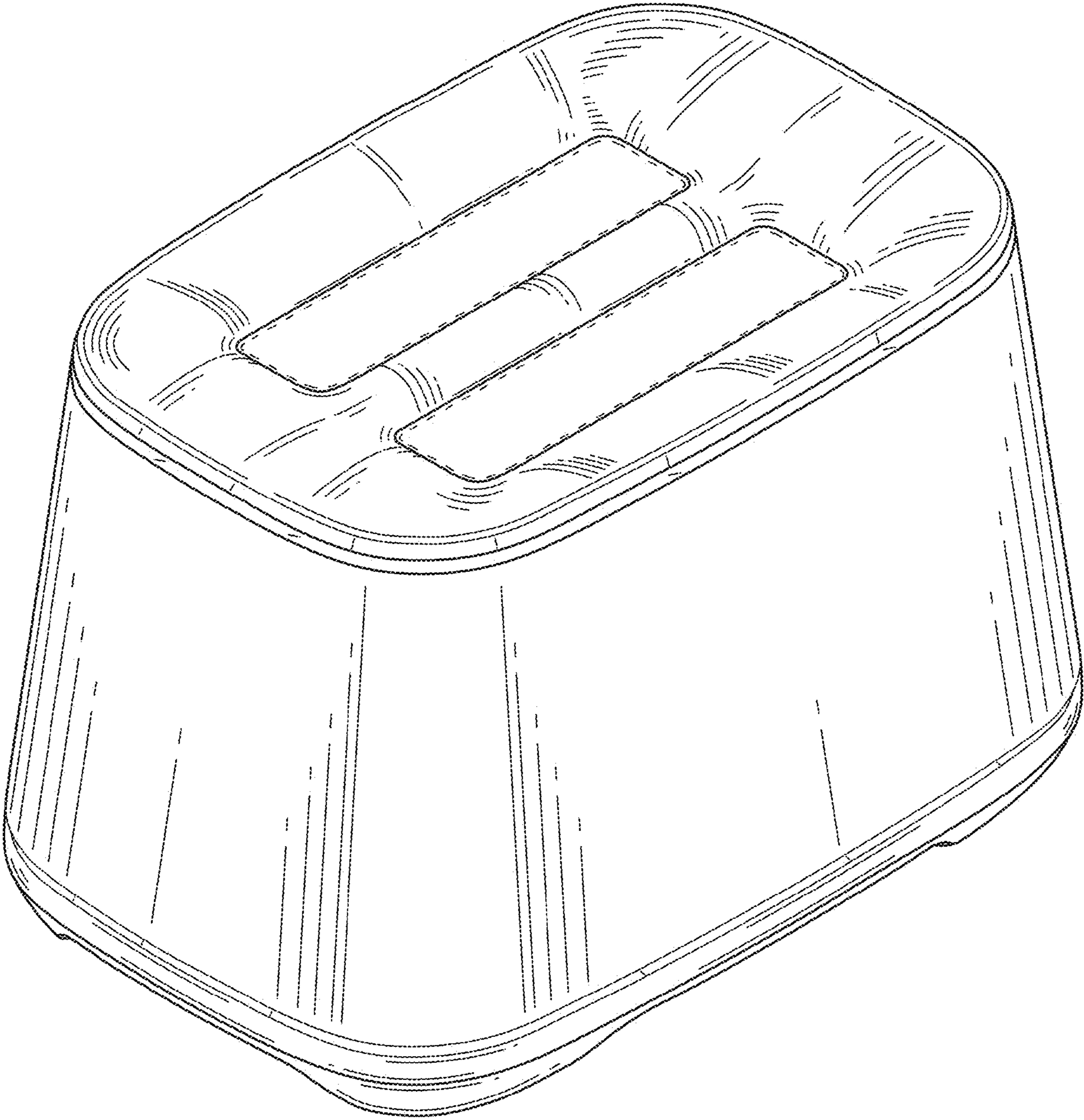


FIG. 1



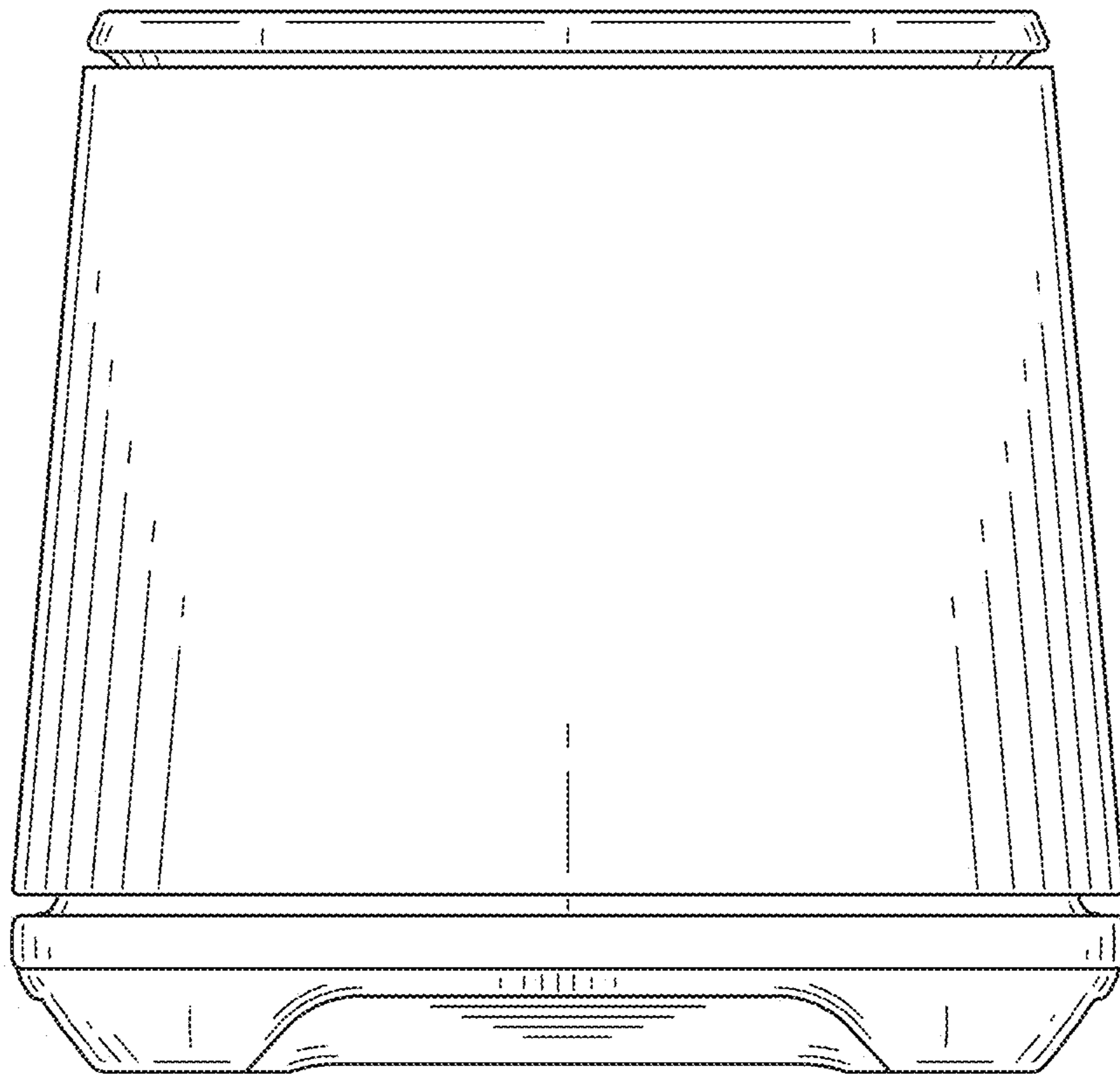


FIG. 2

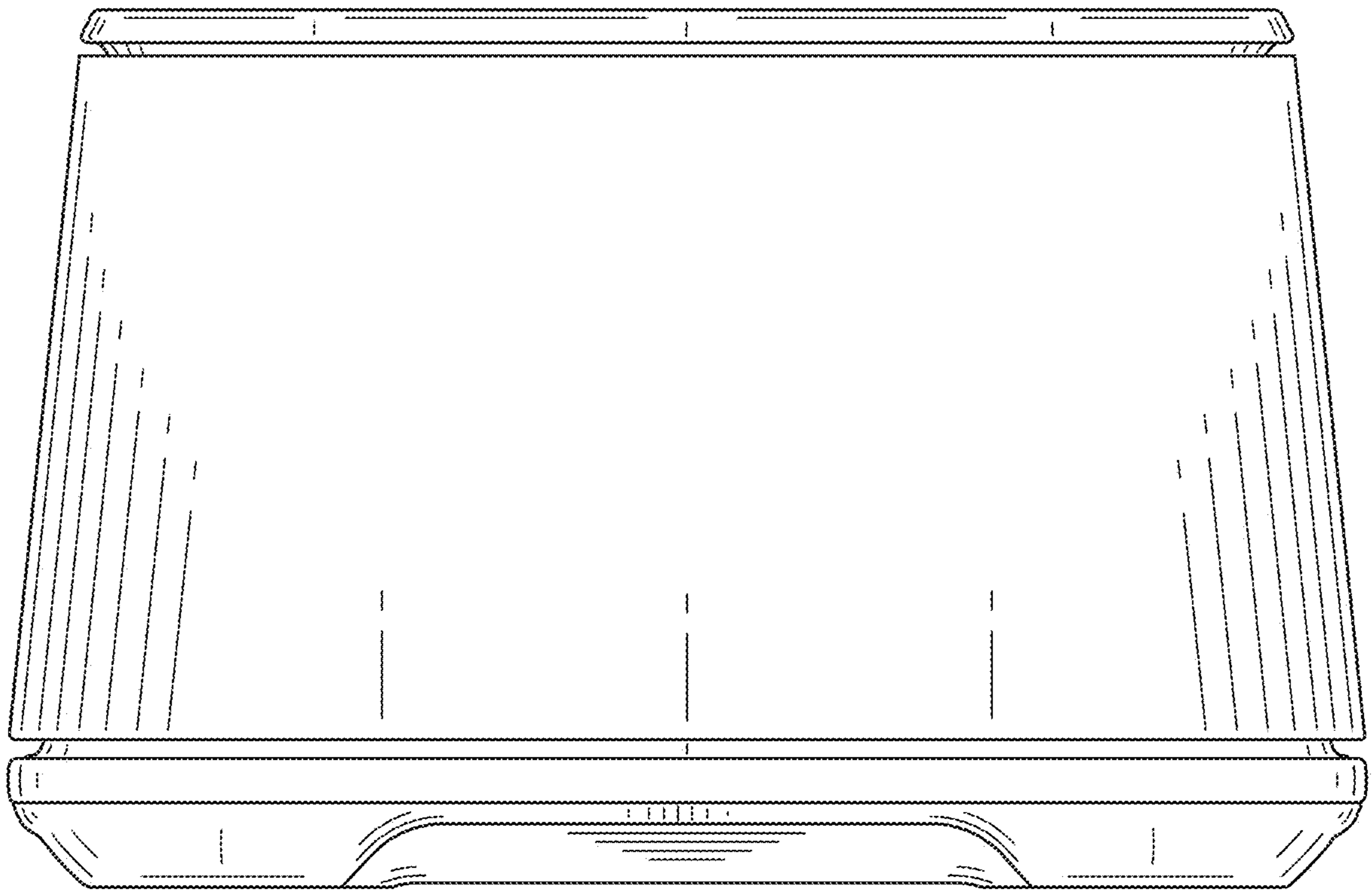


FIG. 3

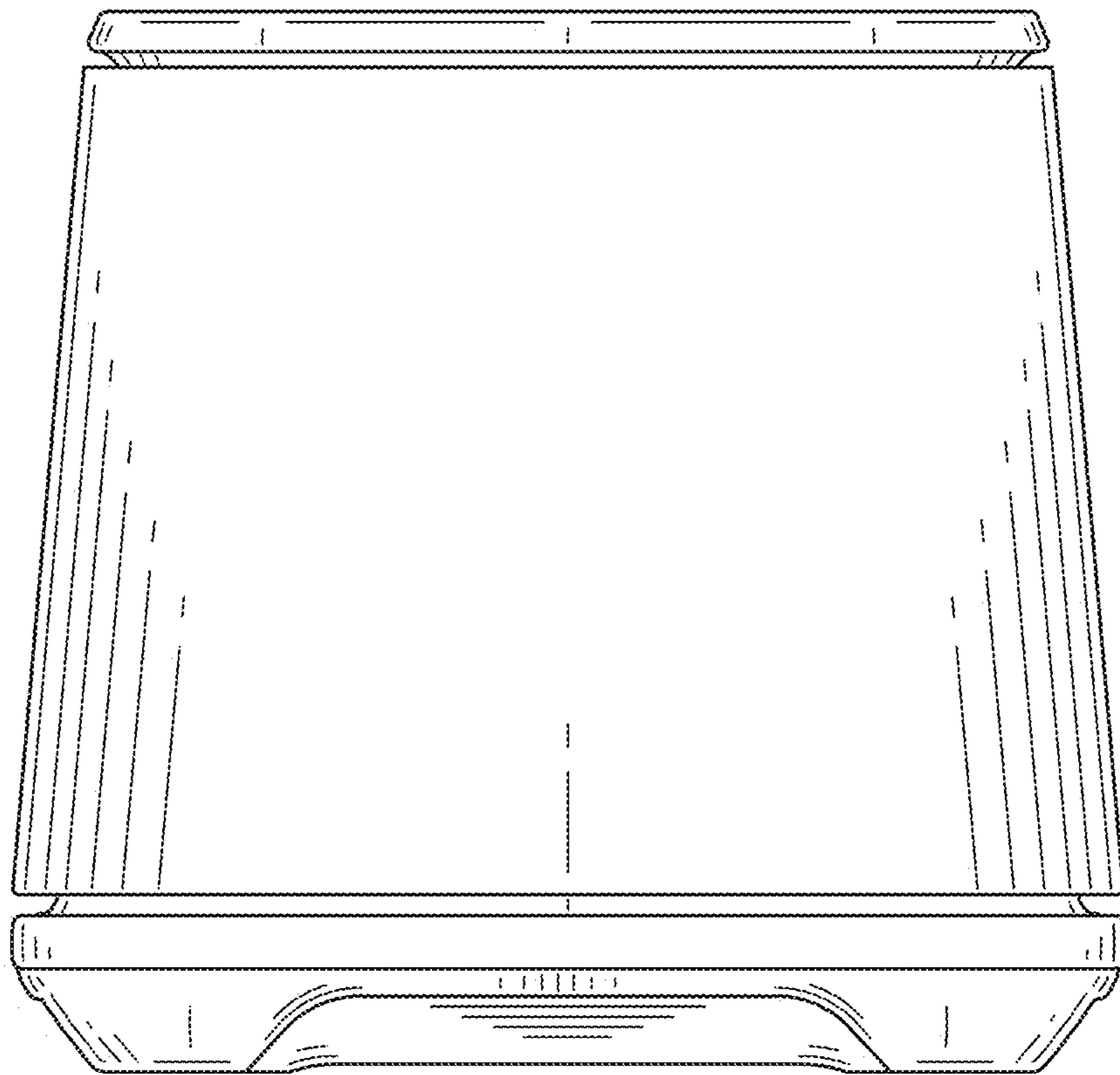


FIG. 4

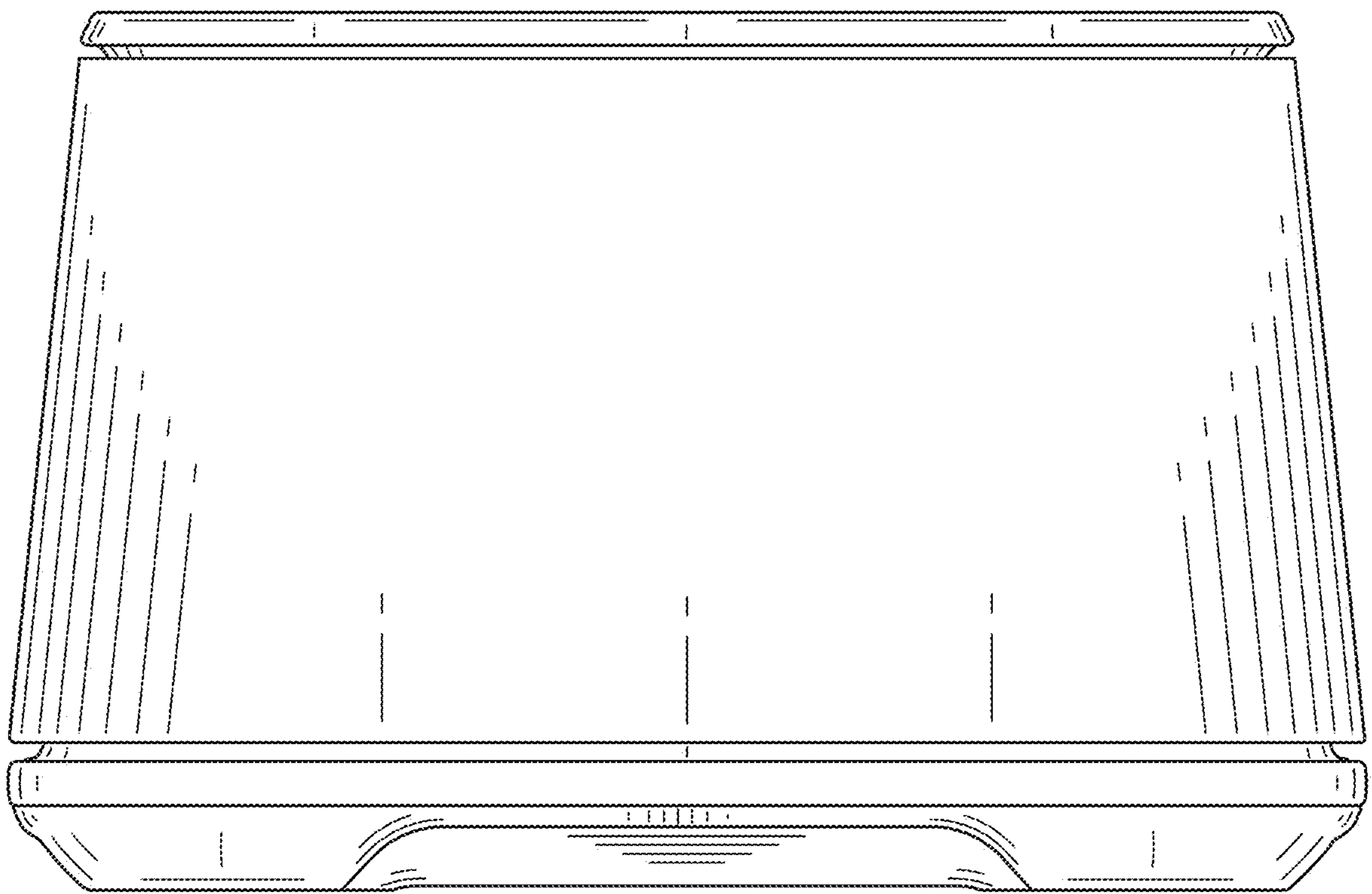


FIG. 5

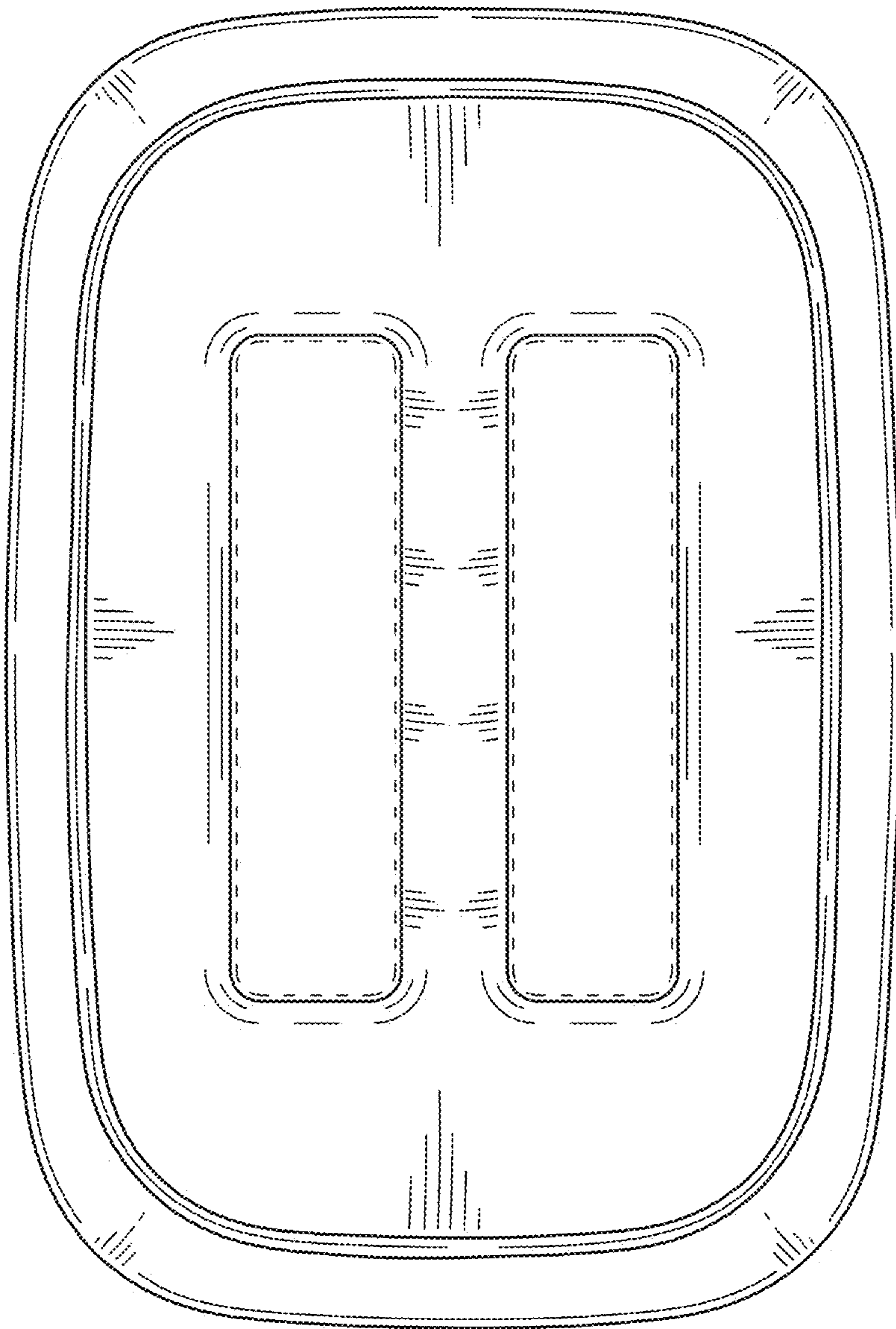


FIG. 6



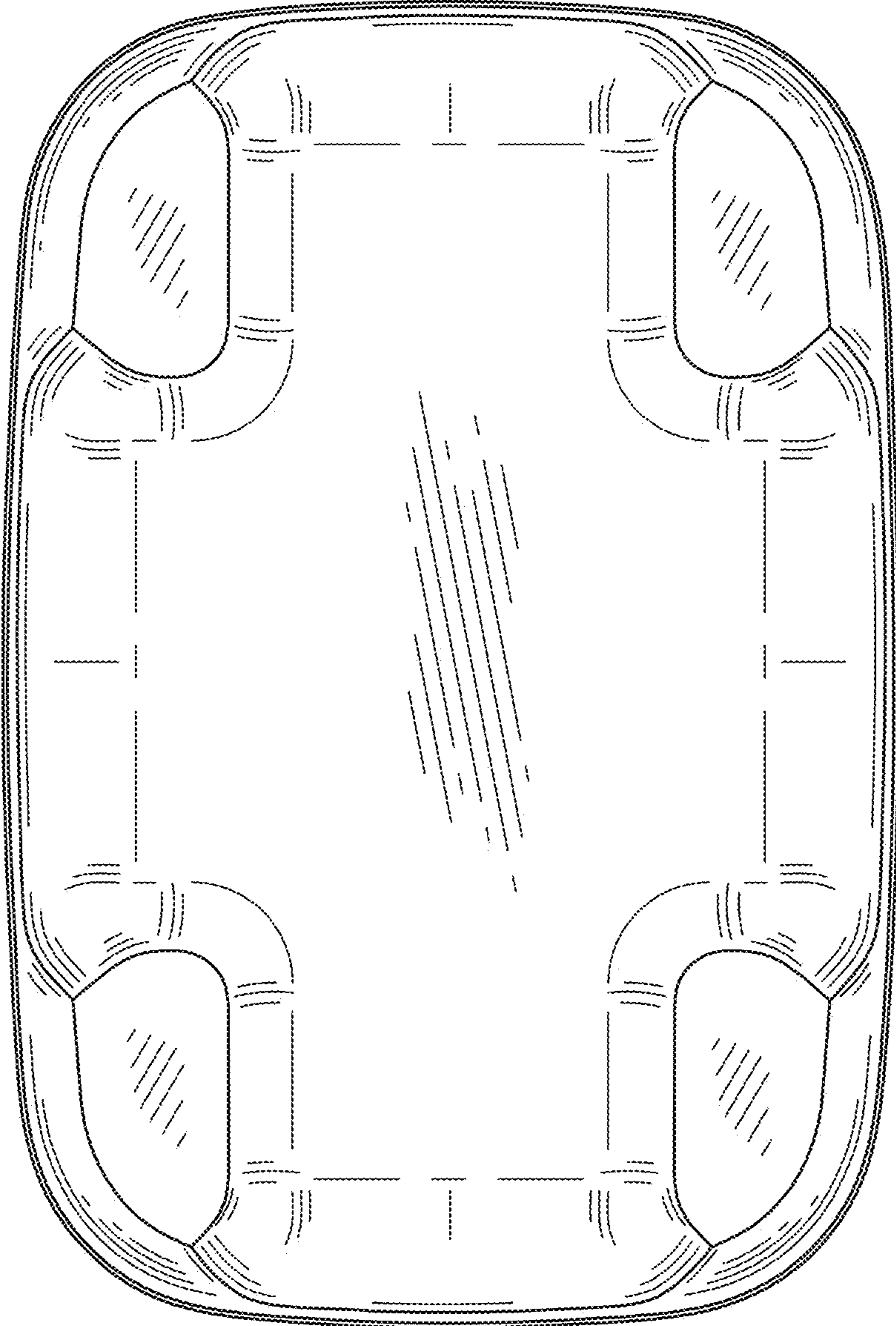


FIG. 7