



US00D912453S

(12) **United States Design Patent** (10) **Patent No.:** **US D912,453 S**
Liebe et al. (45) **Date of Patent:** **** Mar. 9, 2021**

(54) **COFFEE MACHINE** D287,212 S * 12/1986 Daugherty D7/309
D287,690 S * 1/1987 Steinkamp D7/309
(71) Applicant: **Thuner Kaffeemaschinenfabrik** D297,697 S * 9/1988 Fossella D7/309
GmbH, Thun (CH) D328,995 S * 9/1992 Verheijen D7/307
D726,483 S * 4/2015 Lin D7/310
(72) Inventors: **Thomas Liebe, Thun (CH); Markus** D736,024 S * 8/2015 Taubman D7/306
Widmer, Thun (CH) D790,898 S * 7/2017 Taubman D7/306
D863,857 S * 10/2019 Umholtz D7/310

(73) Assignee: **Thuner Kaffeemaschinenfabrik GmbH, Thun (CH)**

(**) Term: **15 Years**

(21) Appl. No.: **35/508,220**

(22) Filed: **Nov. 14, 2019**

(80) **Hague Agreement Data**
Int. Filing Date: **Nov. 14, 2019**
Int. Reg. No.: **DM/205029**
Int. Reg. Date: **Nov. 14, 2019**
Int. Reg. Pub. Date: **Dec. 27, 2019**

(30) **Foreign Application Priority Data**
Jun. 4, 2019 (CH) 144713
(51) **LOC (13) Cl.** **07-01**
(52) **U.S. Cl.**
USPC **D7/309**
(58) **Field of Classification Search**
USPC D7/300, 305, 309, 311, 313, 356, 357,
D7/397, 399
CPC . B67D 1/12; B67D 1/0412; B67D 1/00; A47J
31/4489; A47J 31/40; A47J 31/4485
See application file for complete search history.

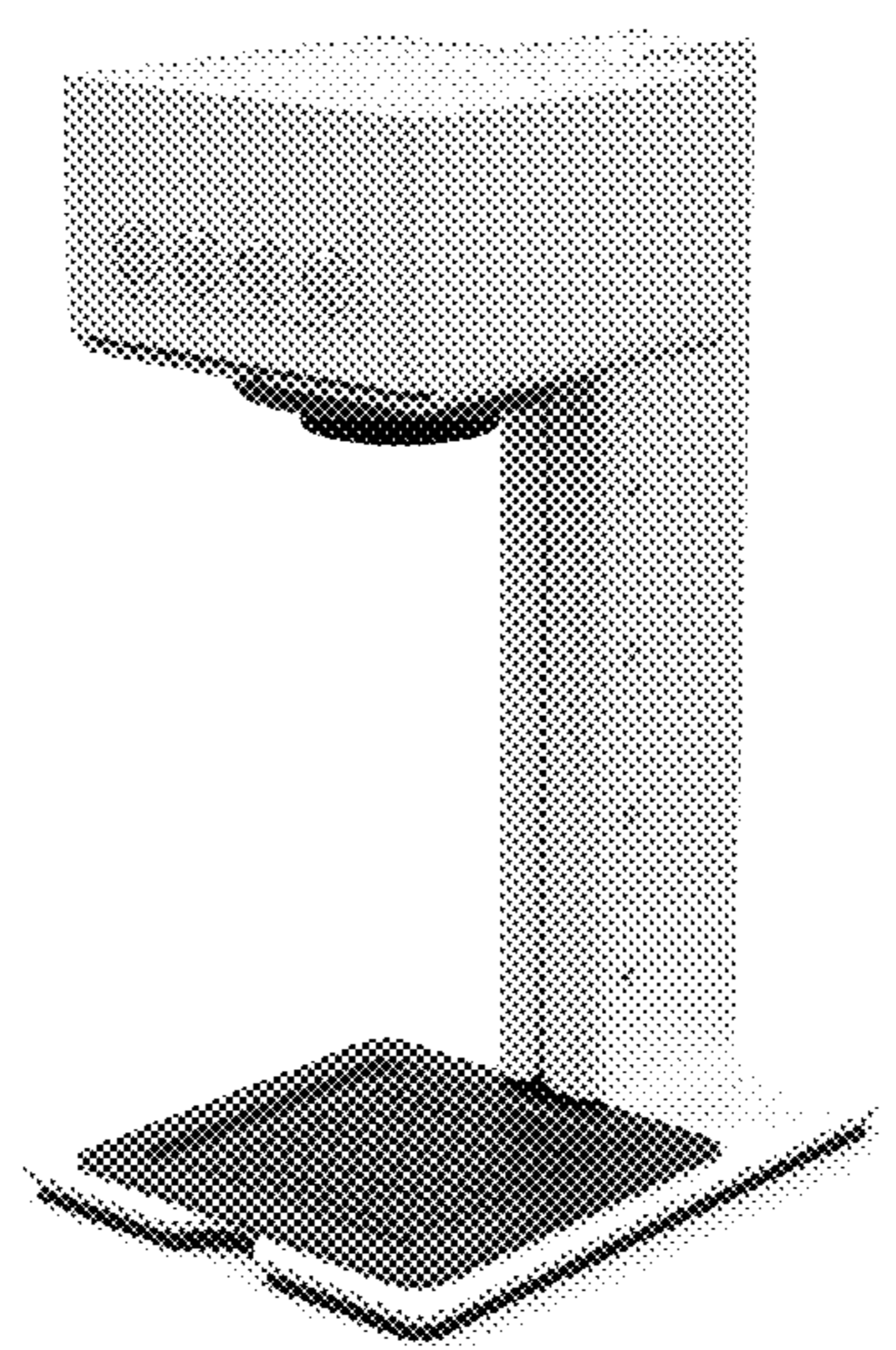
(56) **References Cited**
U.S. PATENT DOCUMENTS
D202,688 S * 11/1965 Cornelius et al. D7/311
D212,317 S * 9/1968 Haussam D7/309
D225,592 S * 12/1972 Bardeau D7/309
D274,114 S * 6/1984 Cleland D7/397

* cited by examiner
Primary Examiner — Robert M. Spear
(74) *Attorney, Agent, or Firm* — Hard IP LLC

(57) **CLAIM**
The ornamental design for a coffee machine, as shown and described.

DESCRIPTION
1. Coffee machine
Fig. 1.1 is a perspective view of a coffee machine in accordance with the present design;
fig. 1.2 is a front view thereof;
fig. 1.3 is a rear view thereof;
fig. 1.4 is a left view thereof;
fig. 1.5 is a right view thereof;
fig. 1.6 is a top view thereof;
fig. 1.7 is a bottom view thereof;
fig. 1.8 is a rear perspective view thereof;
fig. 1.9 is a perspective view of the head portion thereof;
fig. 1.10 is a perspective view of the head portion thereof;
fig. 1.11 is a perspective view of the leg portion thereof.

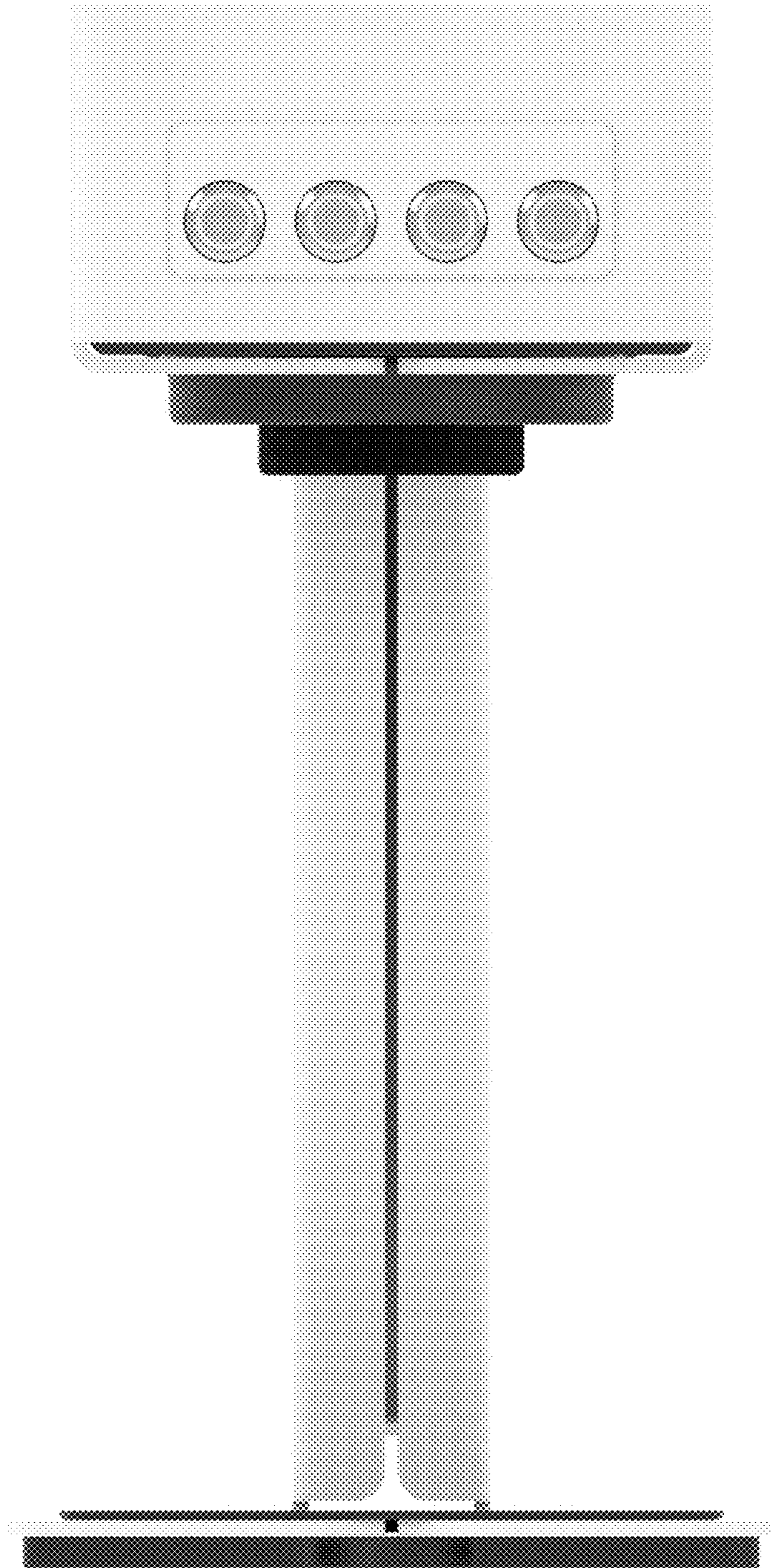
1 Claim, 11 Drawing Sheets



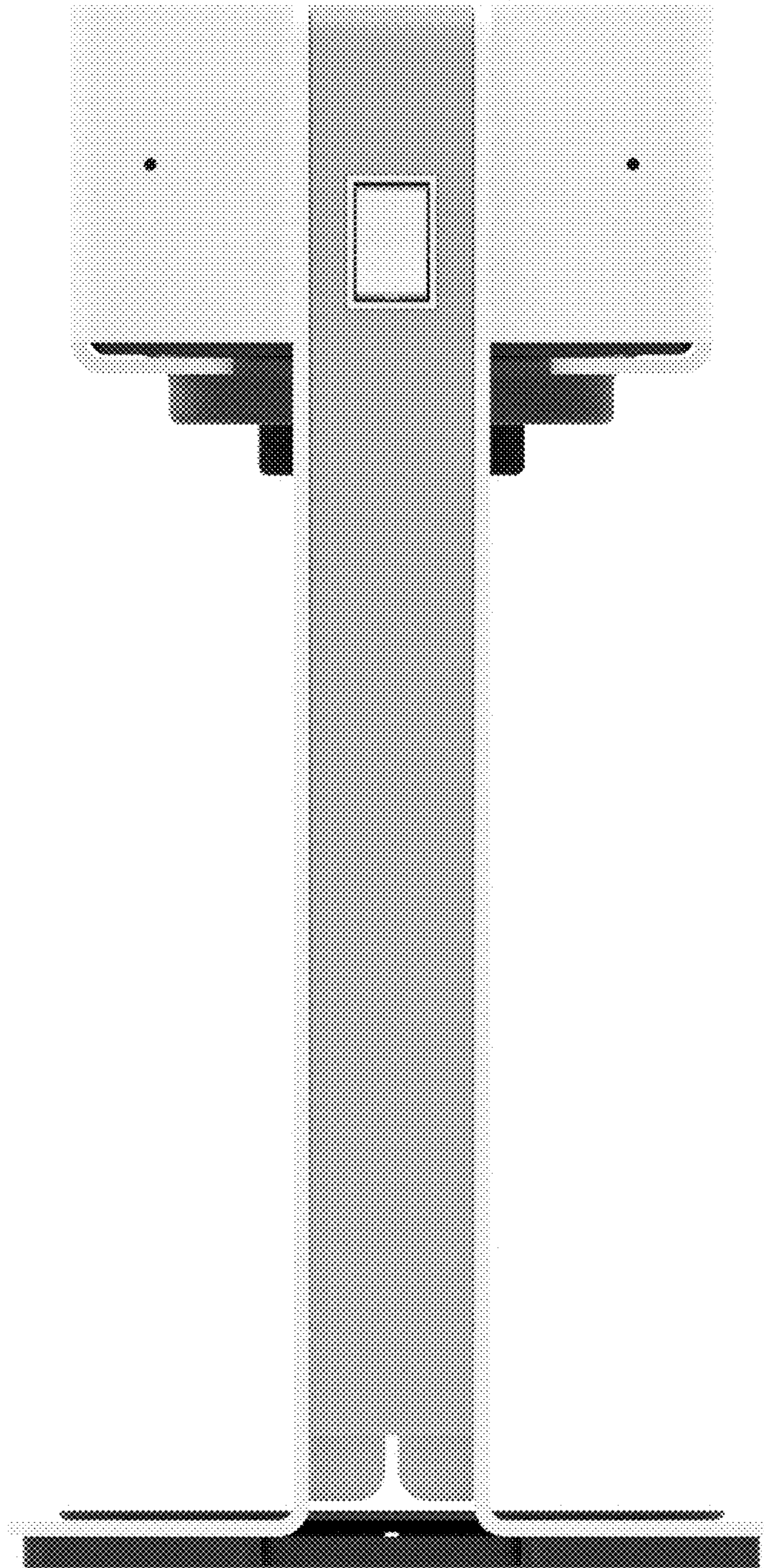
1.1



1.2



1.3



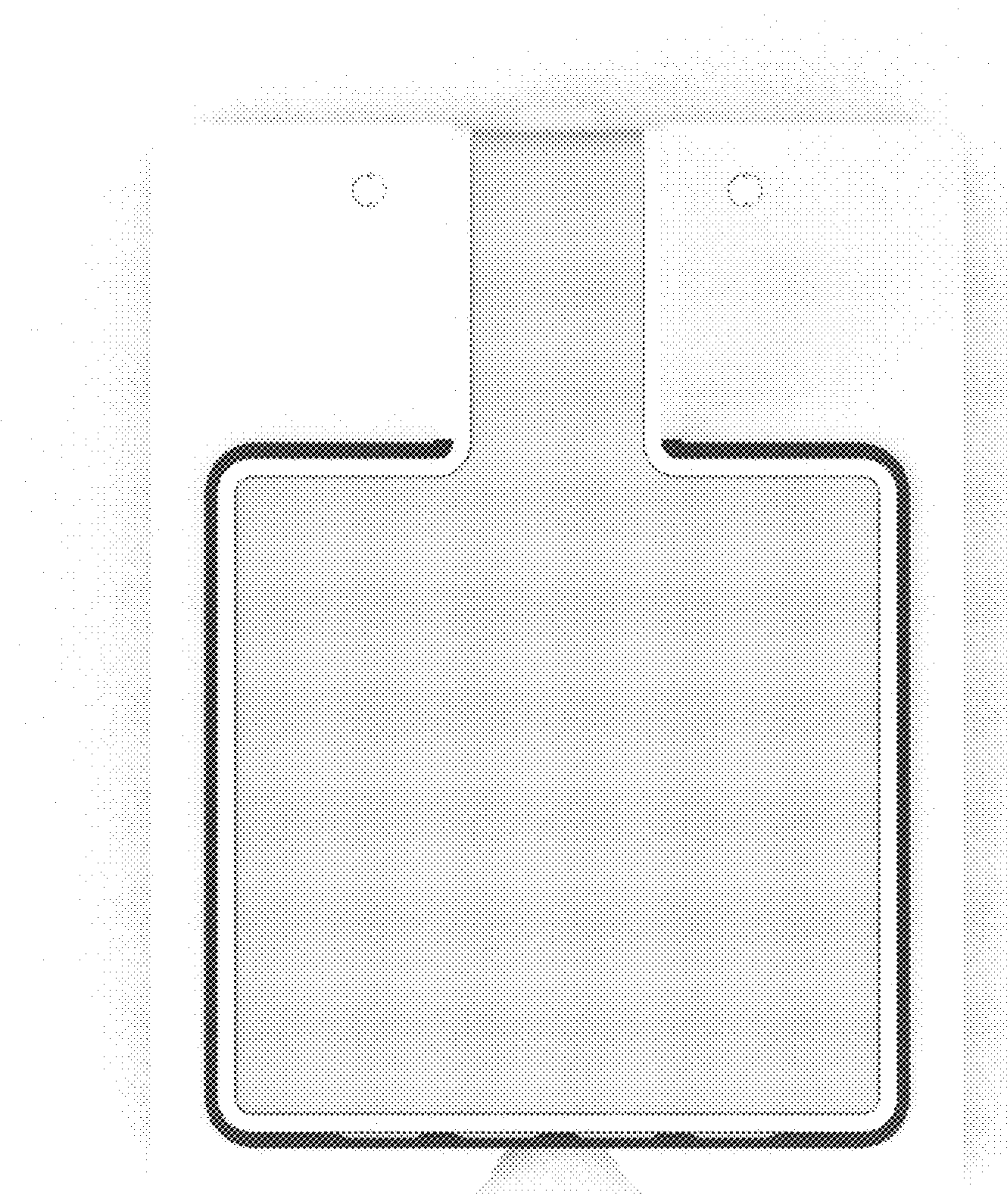
1.4



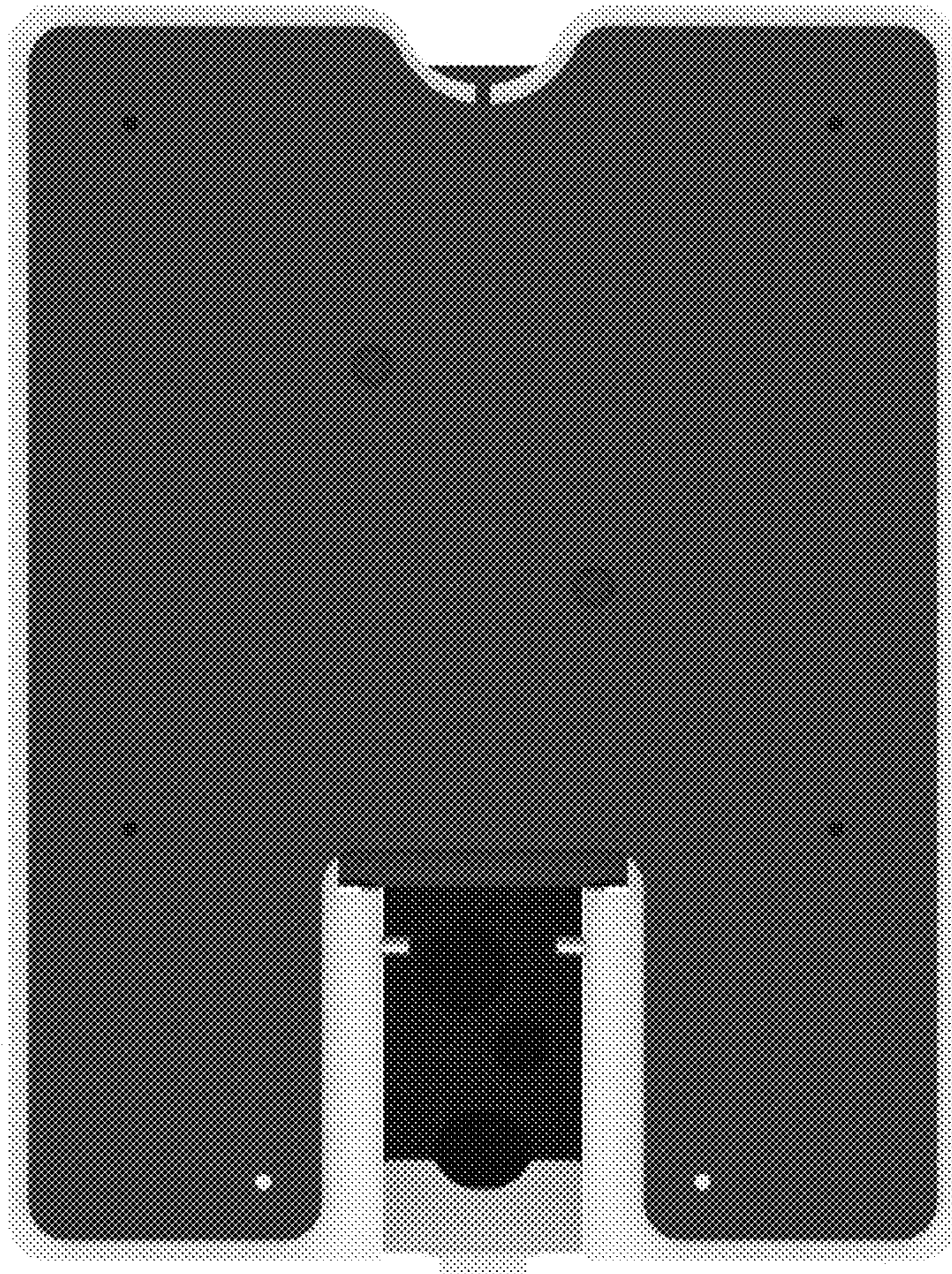
1.5



1.6



1.7



1.8



1.9



1.10



1.11

