



US00D912451S

(12) **United States Design Patent** (10) **Patent No.:** **US D912,451 S**
Kumazawa (45) **Date of Patent:** **** Mar. 9, 2021**

(54) **CHAIR**
(71) Applicant: **Aichi Co., Ltd.**, Nagoya (JP)
(72) Inventor: **Taku Kumazawa**, Ichinomiya (JP)
(73) Assignee: **AICHI CO., LTD.**, Nagoya (JP)
(**) Term: **15 Years**
(21) Appl. No.: **29/661,298**
(22) Filed: **Aug. 27, 2018**

D643,652 S * 8/2011 Piretti D6/716
D685,208 S * 7/2013 Kumazawa D6/716.2
D750,910 S * 3/2016 Yassa D6/362
D756,140 S * 5/2016 Kumazawa D6/368

(Continued)

FOREIGN PATENT DOCUMENTS

JP 1377657 S 12/2009

Primary Examiner — Kevin K Rudzinski

Assistant Examiner — Paul D Bohannon

(74) *Attorney, Agent, or Firm* — Withrow & Terranova, P.L.L.C.; Vincent K. Gustafson

(30) **Foreign Application Priority Data**

Mar. 1, 2018 (JP) 2018-004385

(51) **LOC (13) Cl.** **06-06**

(52) **U.S. Cl.**
USPC **D6/716.2**

(58) **Field of Classification Search**
USPC D6/362, 366, 368, 376, 379, 380, 700,
D6/716, 716.2, 716.3; D14/239
CPC A47C 1/124; A47C 3/04; A47C 3/045;
A47C 4/02; A47C 4/03; A47C 4/04;
A47C 4/28; A47C 7/00; A47C 7/40;
A47C 7/42; A47C 7/56

See application file for complete search history.

(57) **CLAIM**

The ornamental design for a chair, as shown and described.

DESCRIPTION

FIG. 1 is a front elevational view of a chair showing my design;

FIG. 2 is a rear elevational view of the chair;

FIG. 3 is a top plan view of the chair;

FIG. 4 is a bottom plan view of the chair;

FIG. 5 is a left side elevational view of the chair;

FIG. 6 is a right side elevational view of the chair;

FIG. 7 is a cross-sectional view of an armrest portion of the chair cut along section line 7-7 shown in FIG. 6, with the sectioned area delimited according to the circumscribing line A-A shown in FIG. 1 to encompass only the armrest portion; and,

FIG. 8 is a perspective view of the chair.

Throughout the Figures, the parts shown by means of broken lines are not part of the claimed design; dot-and-dash lines represent borderlines between the parts to be protected and the other parts; and the parallel thin lines on surfaces represent surface shading and do not illustrate ornamentation or decoration.

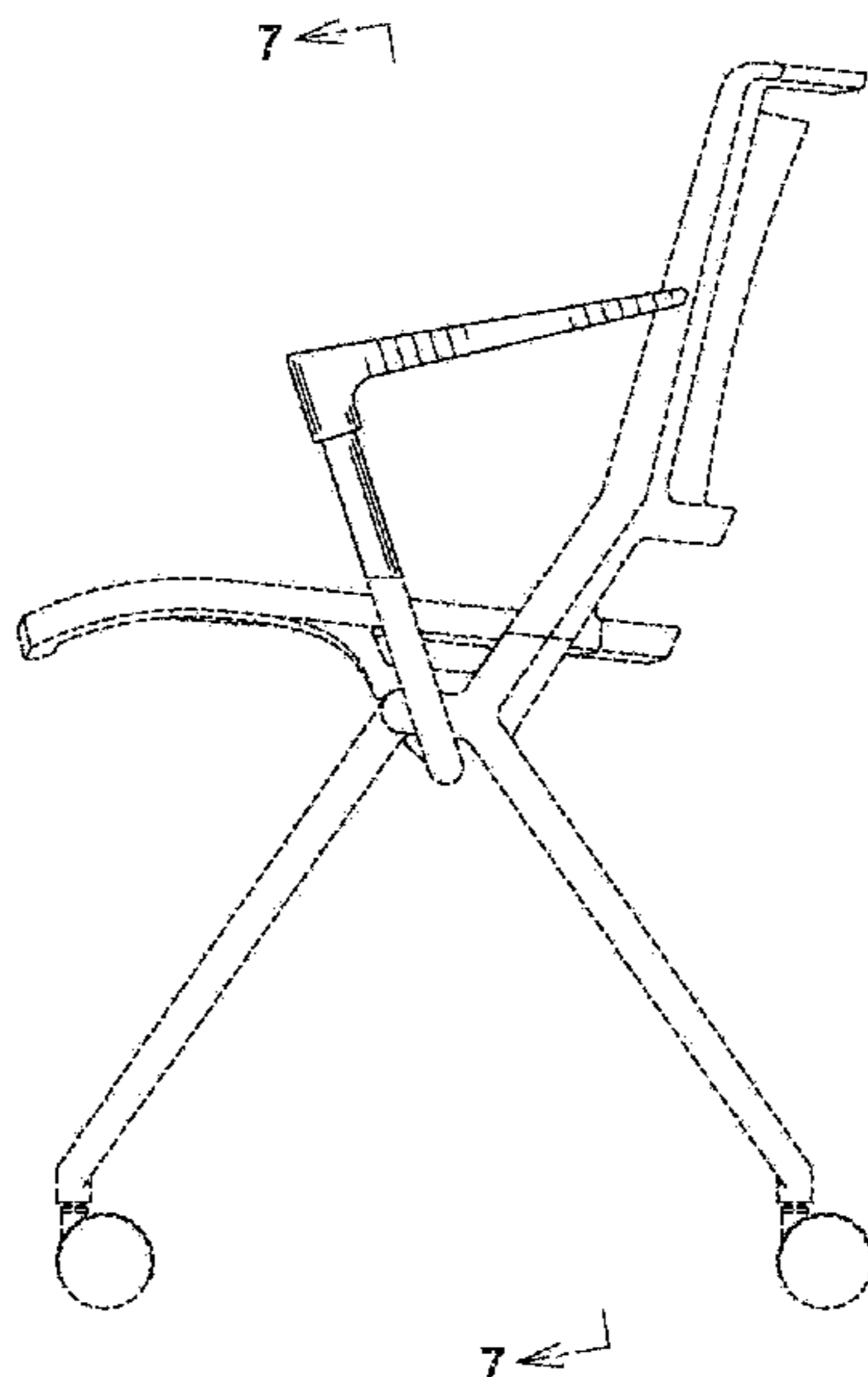
In FIG. 7, the parallel lines on sectional surfaces represent hatching.

(56) **References Cited**

U.S. PATENT DOCUMENTS

5,167,436 A * 12/1992 Wu A47C 4/02
297/338
D360,777 S * 8/1995 Glebe D6/310
D513,457 S * 1/2006 Asano D6/376
D520,769 S * 5/2006 Bernett D6/374
D558,999 S * 1/2008 Cantarutti D6/368
D587,027 S * 2/2009 Igarashi D6/380
D589,276 S * 3/2009 Dauphin D6/380
D591,526 S * 5/2009 Breen D6/379
D591,527 S * 5/2009 Breen D6/379
D642,819 S * 8/2011 Piretti D6/379

1 Claim, 8 Drawing Sheets



(56)

References Cited

U.S. PATENT DOCUMENTS

D761,047 S * 7/2016 Kumazawa D6/709.2
D761,237 S * 7/2016 Moon D14/239
D771,964 S * 11/2016 Chen D6/374
D771,989 S * 11/2016 Giugiaro D6/716.2
D774,343 S * 12/2016 Egger D6/716.3
D797,486 S * 9/2017 Kumazawa D6/716.2
9,872,567 B2 * 1/2018 Kumazawa A47C 4/04
D809,325 S * 2/2018 Dorigo D6/716.2
D824,710 S * 8/2018 Geelen D6/716
D829,033 S * 9/2018 Peterson D6/716.2
D866,214 S * 11/2019 Engelhardt D6/376
D873,579 S * 1/2020 Kumazawa D6/380
D875,454 S * 2/2020 Walker D6/716.2
D885,100 S * 5/2020 Kumazawa D6/716
D891,809 S * 8/2020 Chong D6/380
D895,996 S * 9/2020 Shen D6/376
2011/0140497 A1 * 6/2011 Fookes A47C 7/54
297/411.2
2014/0361593 A1 * 12/2014 Kaloustian A47C 3/04
297/353
2017/0196360 A1 * 7/2017 Takagi A47C 7/40
2018/0103762 A1 * 4/2018 Kumazawa A47C 7/56
2019/0090648 A1 * 3/2019 Su A47C 7/70
2020/0288869 A1 * 9/2020 Olarte A47C 3/04

* cited by examiner

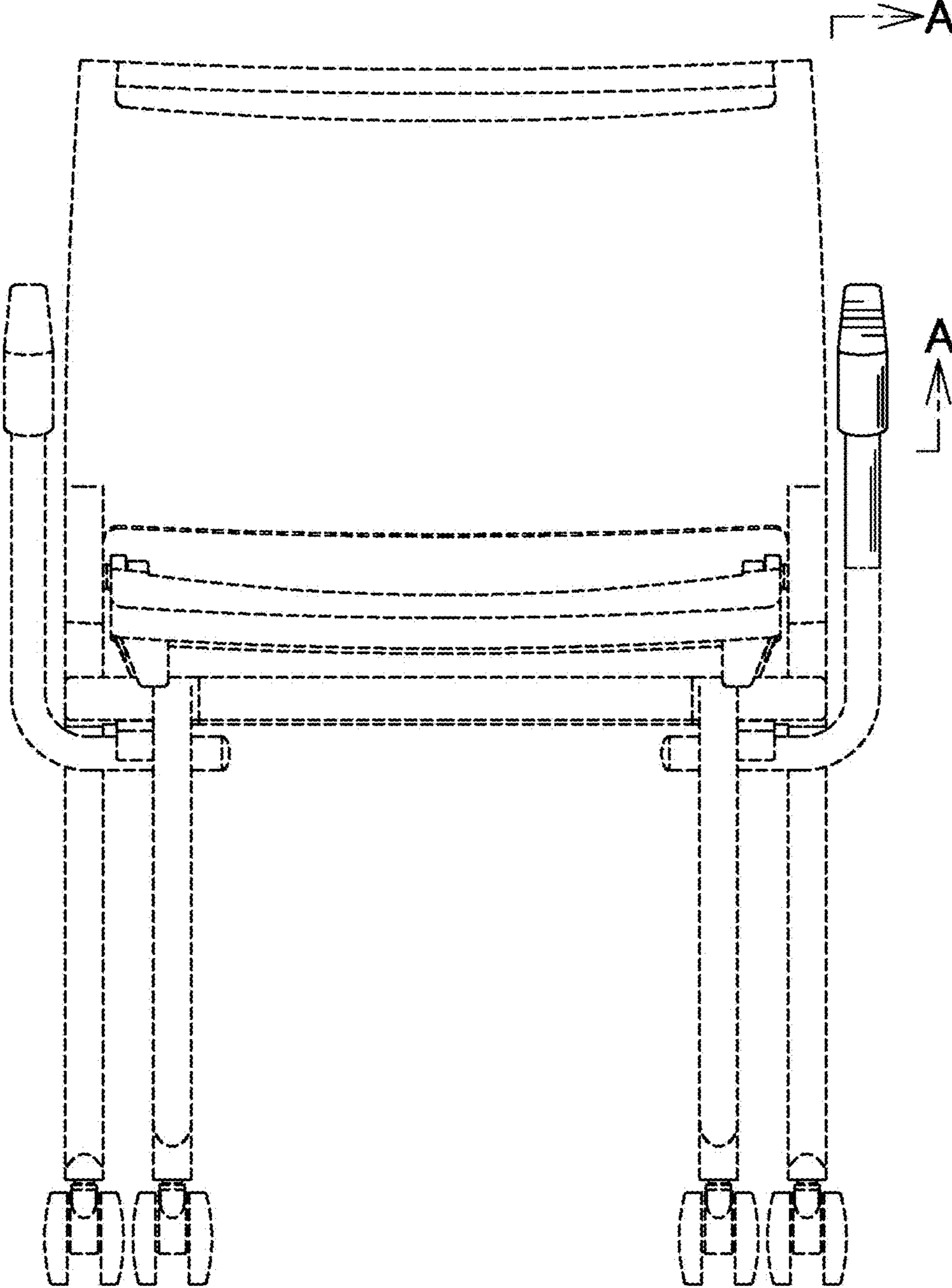


FIG. 1

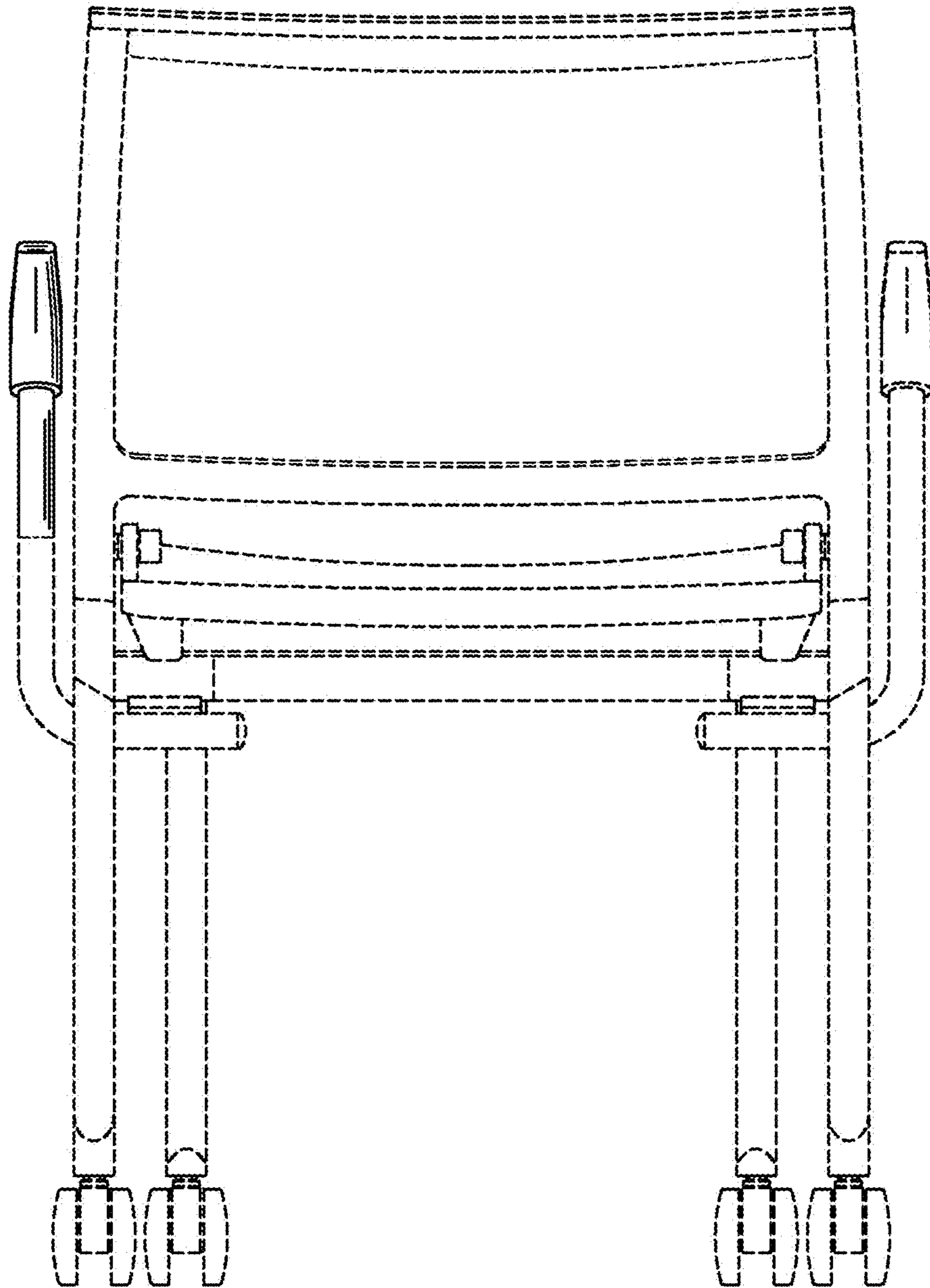


FIG. 2

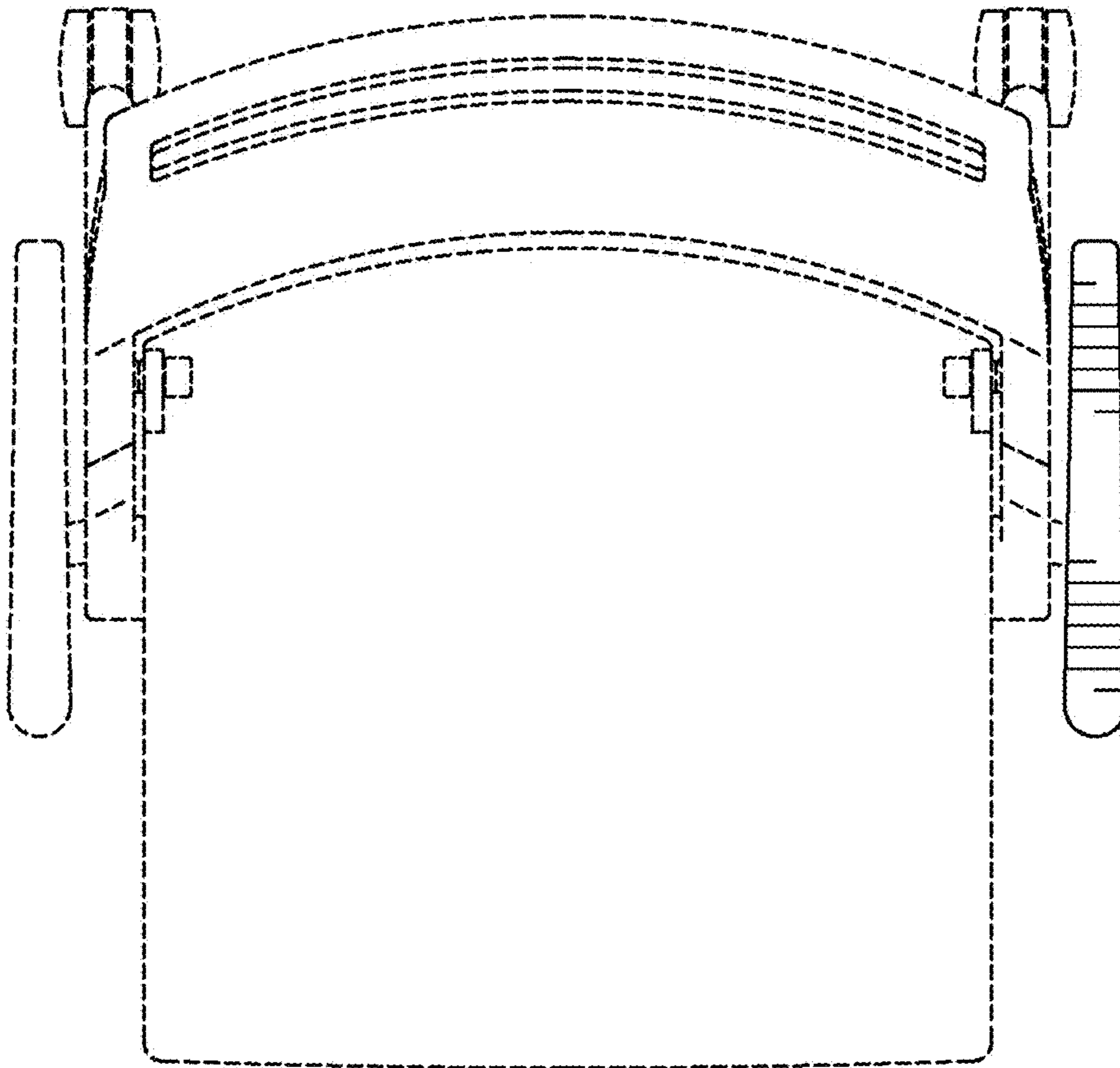


FIG. 3

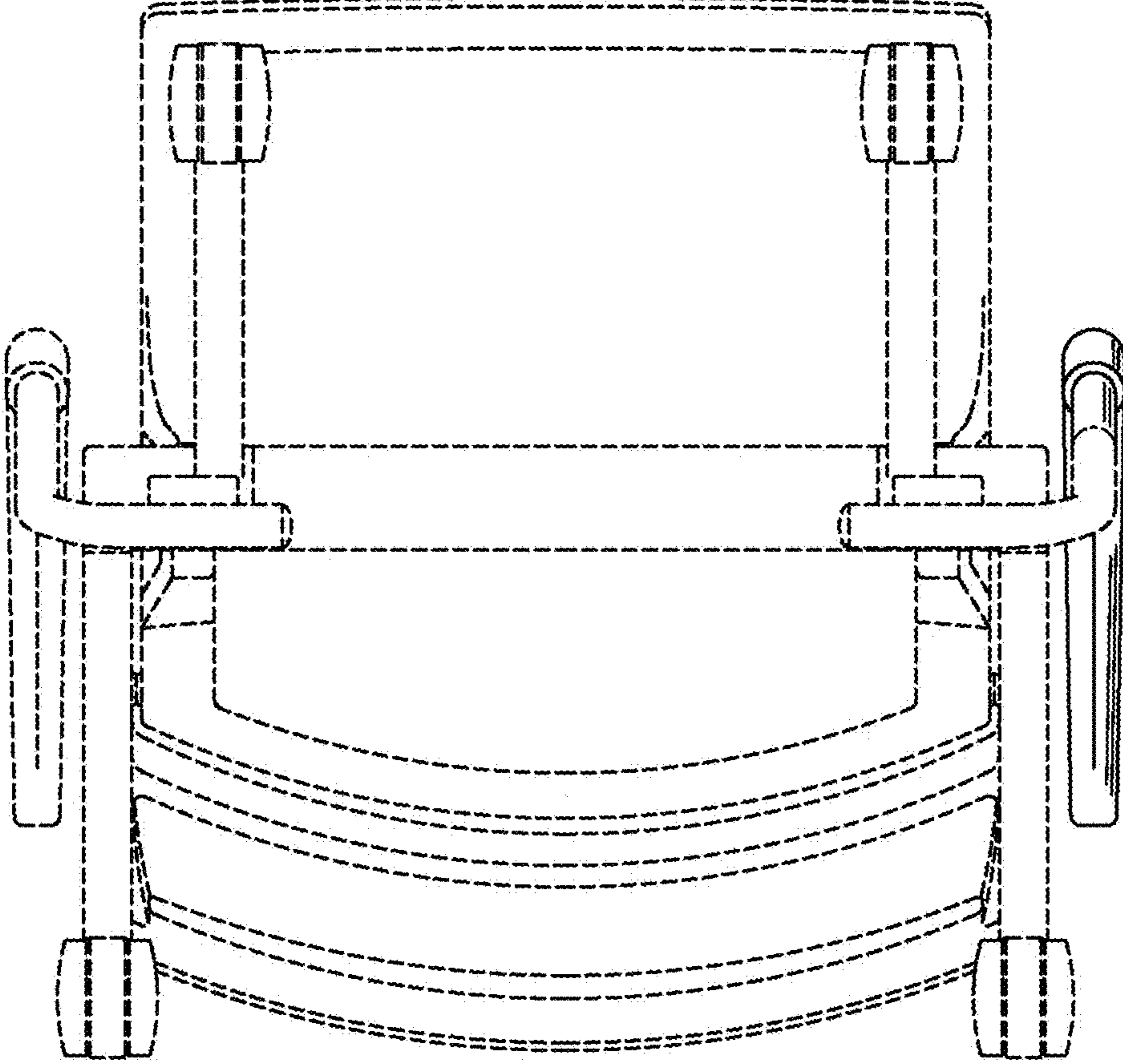


FIG. 4

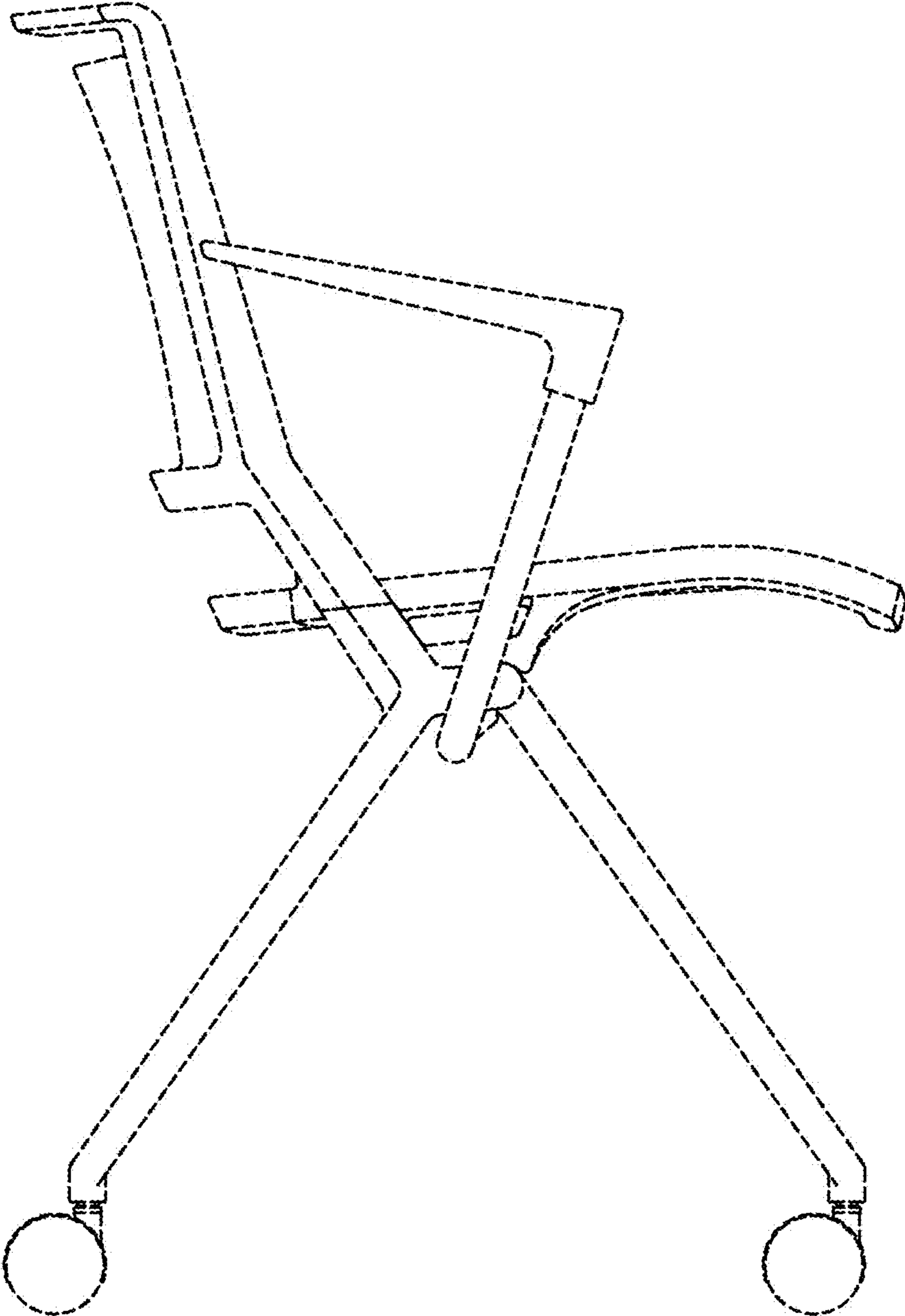


FIG. 5

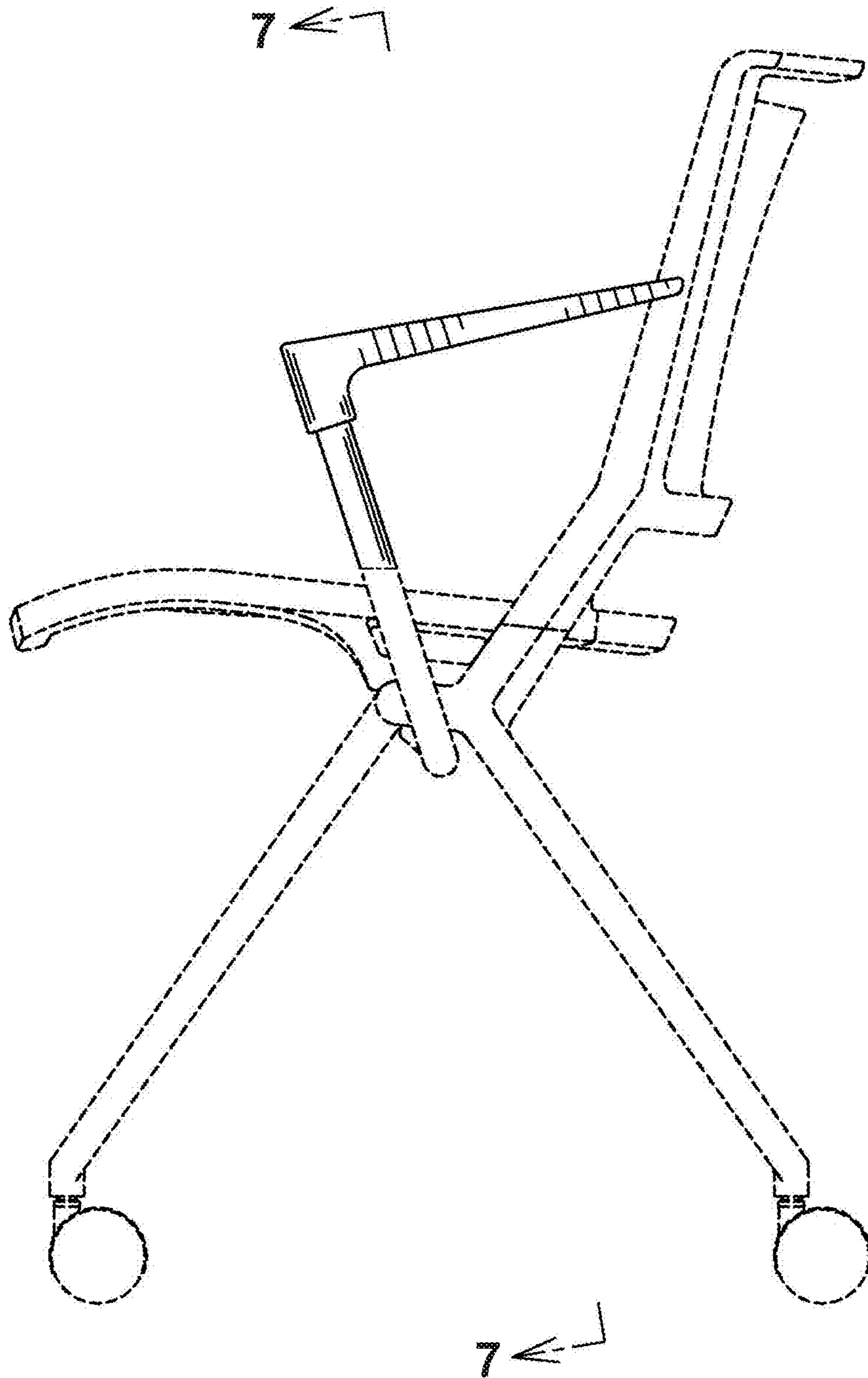


FIG. 6

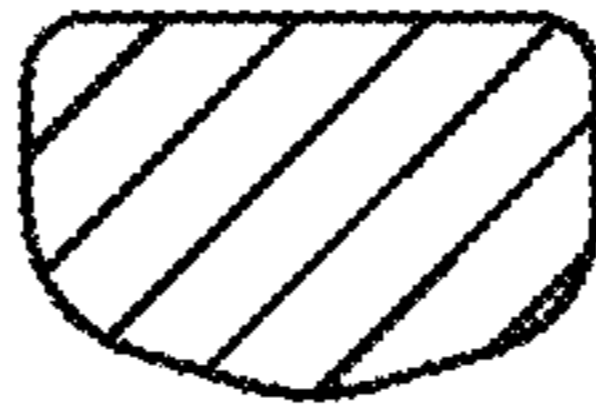


FIG. 7

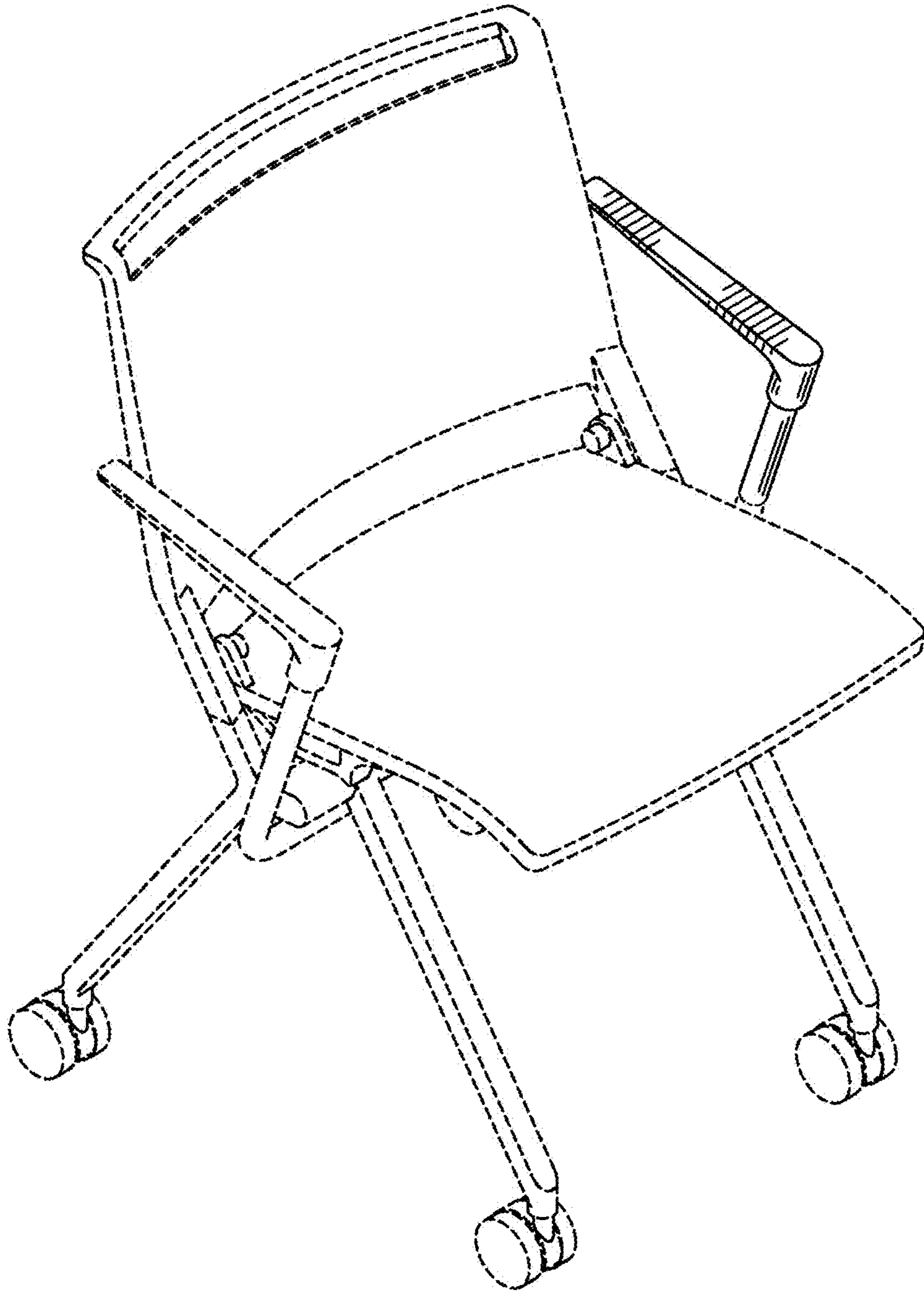


FIG. 8