



US00D912449S

(12) **United States Design Patent** (10) **Patent No.:** **US D912,449 S**
Li (45) **Date of Patent:** **** Mar. 9, 2021**

(54) **TABLE**

(71) Applicant: **39F USA INC**, Rancho Cucamonga, CA (US)

(72) Inventor: **Yuehai Li**, Rancho Cucamonga, CA (US)

(**) Term: **15 Years**

(21) Appl. No.: **29/727,148**

(22) Filed: **Mar. 9, 2020**

(51) **LOC (13) Cl.** **06-03**

(52) **U.S. Cl.**
USPC **D6/691.6**

(58) **Field of Classification Search**
USPC D6/640, 641, 642, 643, 643.1, 644, 645, 646, 647, 648, 648.1, 648.3, 648.4, 649, 650, 651, 652, 654, 654.1, 655, 655.1, 655.11, 655.12, 655.13, 655.14, 655.15, 655.16, 656, 656.1, 656.11, 656.16, 656.17, 656.18, 656.19, 668, 669, 685, 688.11, 688.21, 688.27, 690, 695, 698, 691, 691.6, 696.1, 700, 707, 707.19, 707.24, 707.26, 708, 708.2, 708.21, 708.23, 709.22
CPC A47B 9/00; A47B 9/04; A47B 9/06; A47B 9/08; A47B 21/00; A47B 21/02; A47B 21/06; A47B 21/007; A47B 21/0314; A47B 2009/185; A47B 2200/0013; A47B 2200/0026; A47B 2200/0085; A47B 2200/0087

See application file for complete search history.

(56) **References Cited**

U.S. PATENT DOCUMENTS

D113,409 S *	2/1939	Vavrik	D6/691.6
D166,991 S *	6/1952	Ovendale	D6/691.1
D169,933 S *	6/1953	Chapman	D6/691.6
D171,017 S *	12/1953	Wagner	D6/691.6
D172,569 S *	7/1954	Strinning	D6/691.6
D177,195 S *	3/1956	Smith	D6/691.6
2,746,823 A *	5/1956	Sand	A47B 3/12 248/165
D774,811 S *	12/2016	Reybier	D6/691.6
D851,964 S *	6/2019	Davis	D6/655.11
D856,049 S *	8/2019	Tham	D6/691.1

* cited by examiner

Primary Examiner — Mary Ann Calabrese

Assistant Examiner — Catherine Ho

(74) *Attorney, Agent, or Firm* — Feng Qian

(57) **CLAIM**

The ornamental design for a table, as shown and described.

DESCRIPTION

FIG. 1 is a front perspective view of a table showing my new design;

FIG. 2 is a front elevation view thereof;

FIG. 3 is a rear elevation view thereof;

FIG. 4 is a left-side elevation view thereof;

FIG. 5 is a right-side elevation view thereof;

FIG. 6 is a top plan view thereof; and,

FIG. 7 is a bottom plan view thereof.

1 Claim, 7 Drawing Sheets

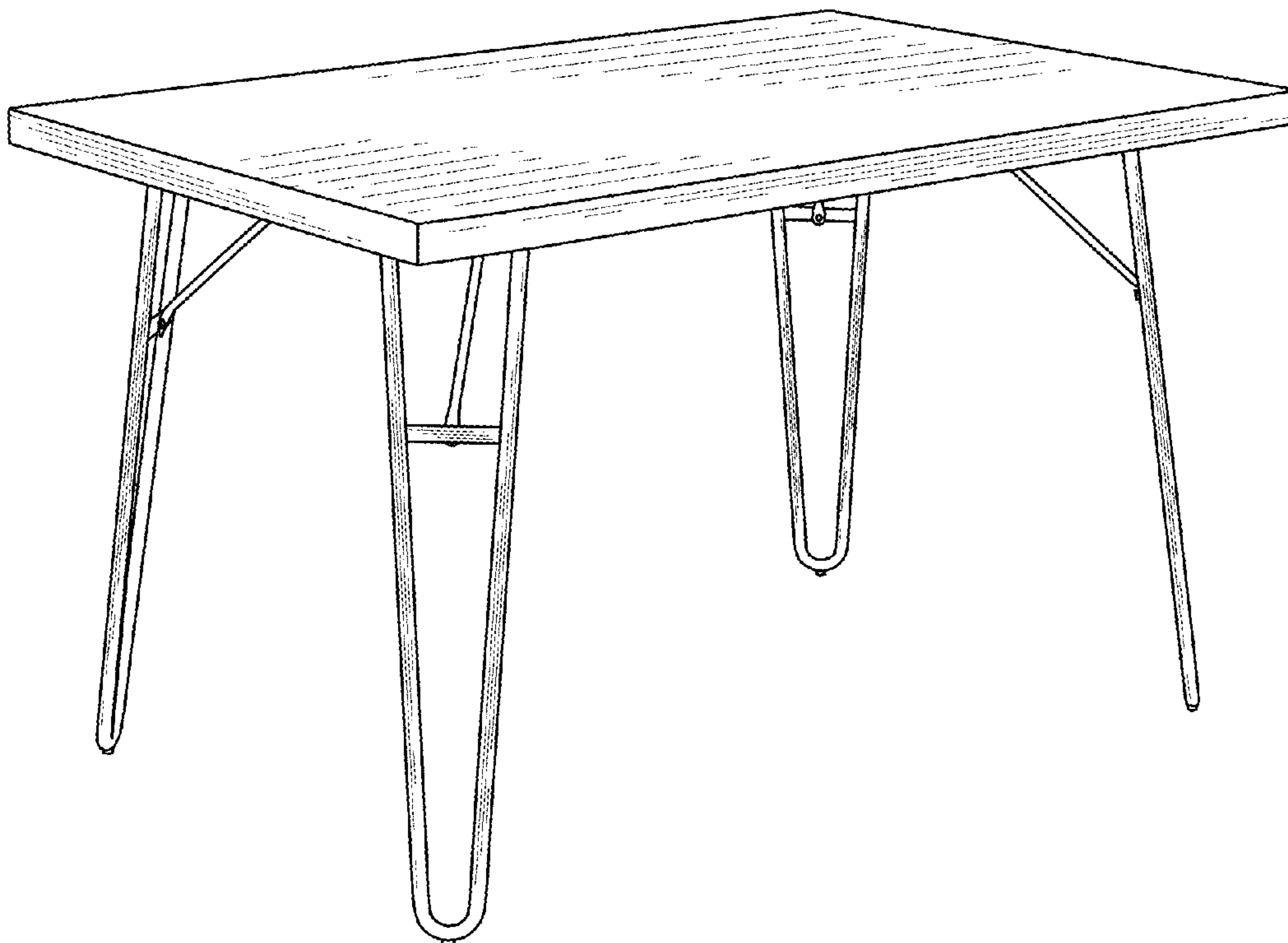




Fig. 1

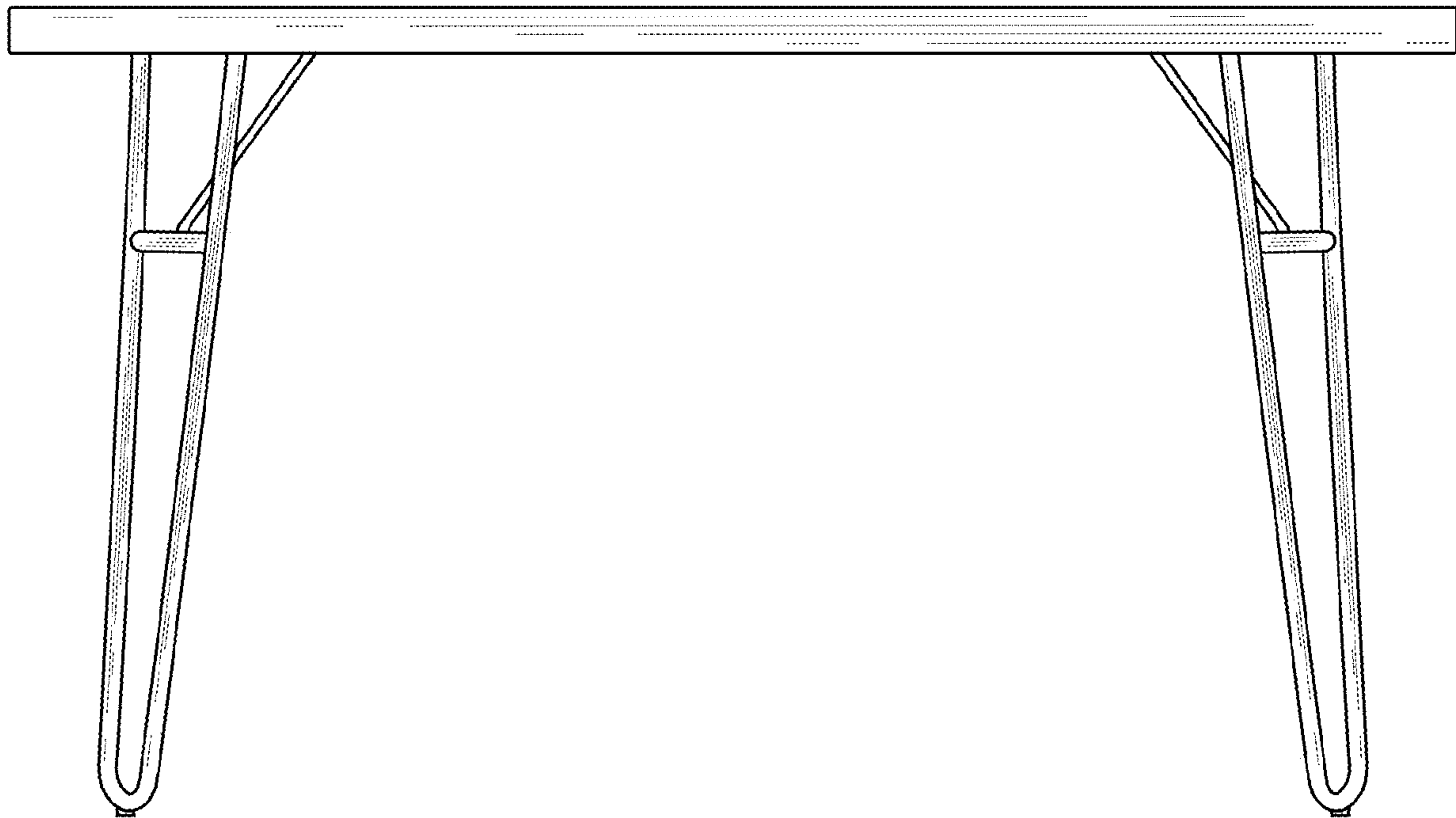


Fig. 2

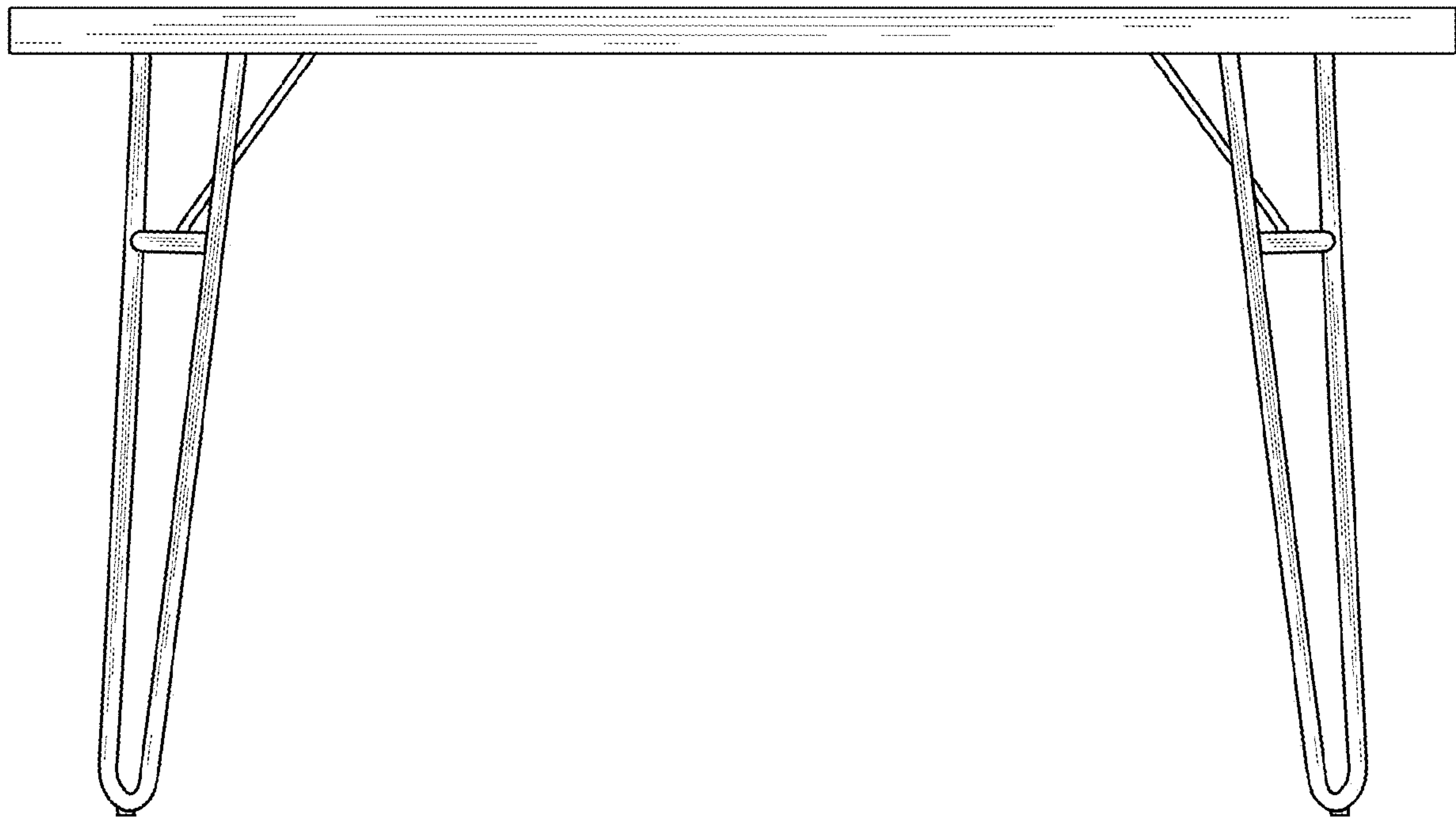


Fig. 3

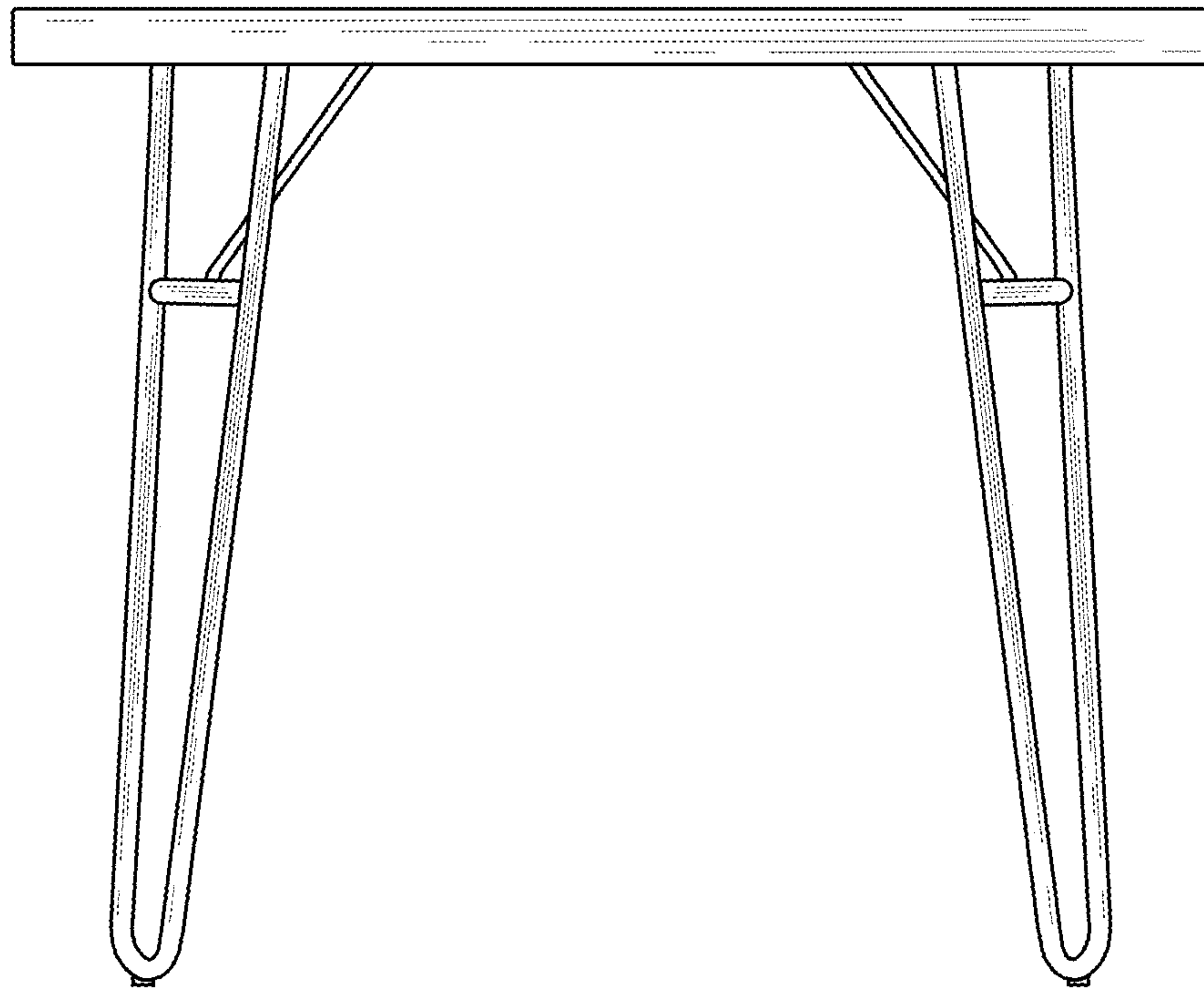


Fig. 4

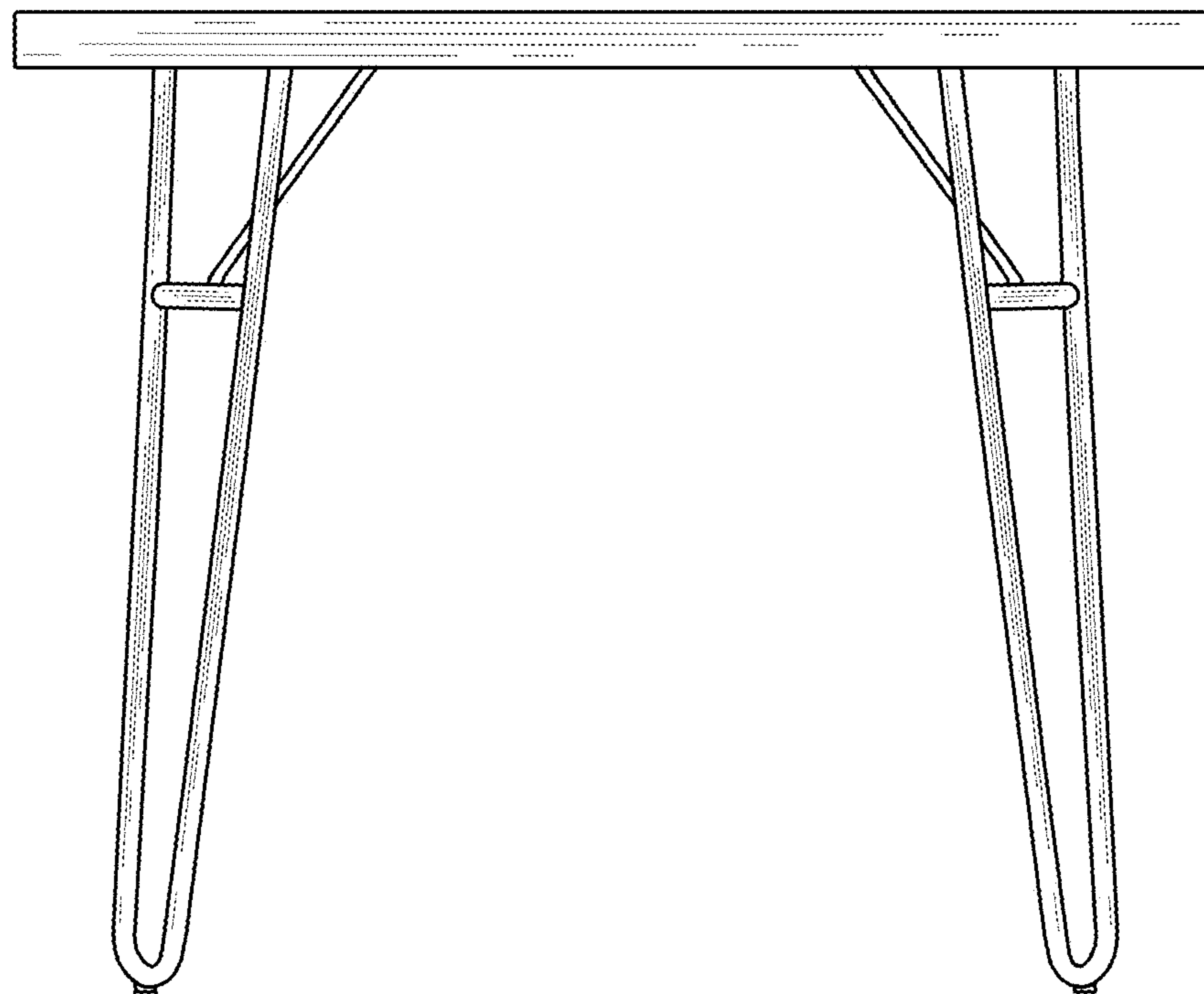


Fig. 5



Fig. 6

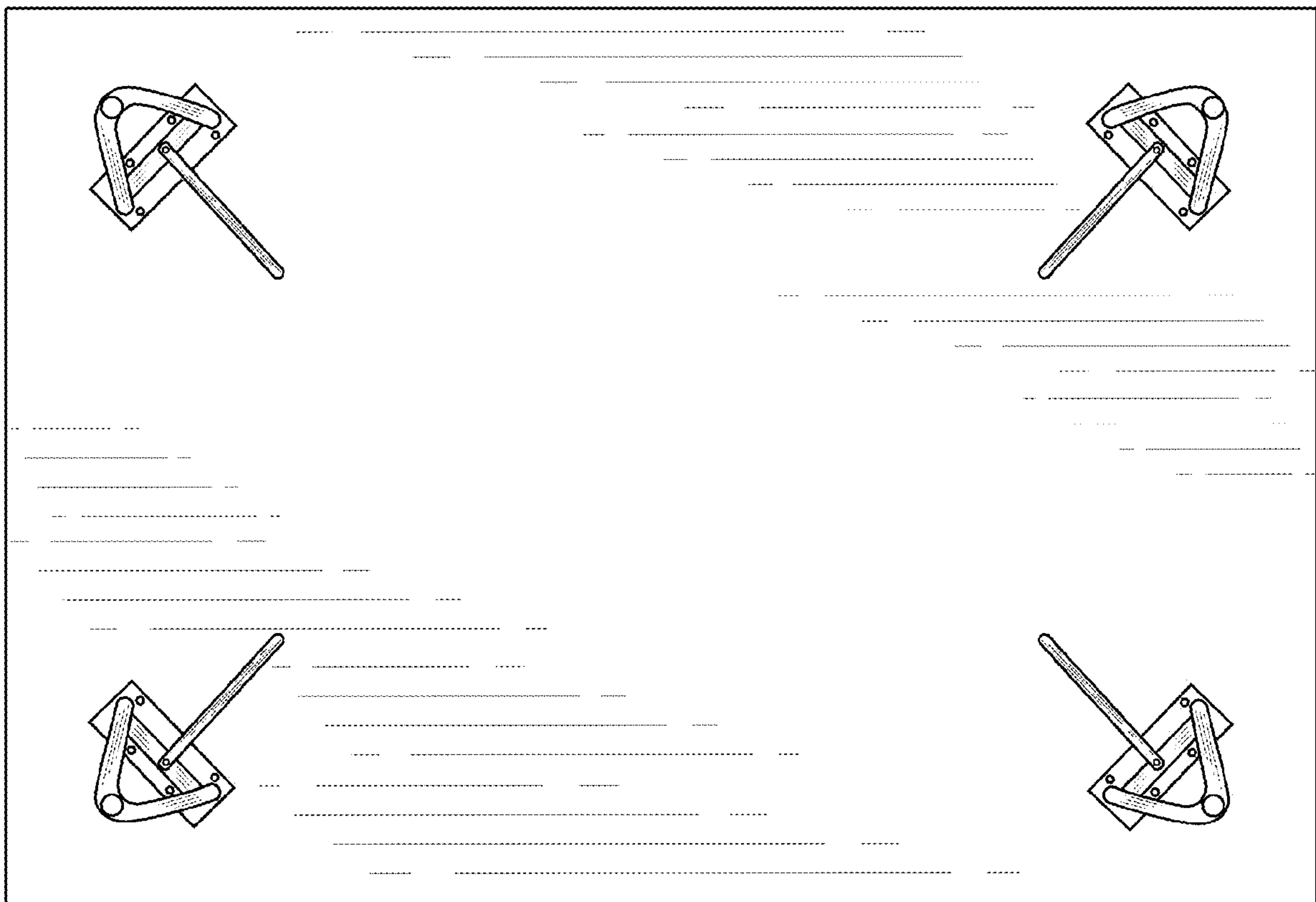


Fig. 7