



US00D912447S

(12) **United States Design Patent**
Wang

(10) **Patent No.:** **US D912,447 S**

(45) **Date of Patent:** **** Mar. 9, 2021**

(54) **SHOE RACK**

(71) Applicant: **Wei-Cheng Wang**, Taipei (TW)

(72) Inventor: **Wei-Cheng Wang**, Taipei (TW)

(**) Term: **15 Years**

(21) Appl. No.: **29/702,288**

(22) Filed: **Aug. 19, 2019**

(51) **LOC (13) Cl.** **20-02**

(52) **U.S. Cl.**
USPC **D6/681**

(58) **Field of Classification Search**
USPC D6/672, 675, 675.1-675.5, 681, 681.1,
D6/681.2, 681.3, 682, 682.6, 552
CPC A47B 63/00; A47B 61/04; A47B 47/00;
A47B 47/024; A47B 55/02; A47F 7/08;
G11B 33/0461
See application file for complete search history.

D341,500 S * 11/1993 Klein D6/407
D342,397 S * 12/1993 MacDonald D6/672
5,617,959 A * 4/1997 Klein A47B 61/04
211/34
D398,787 S * 9/1998 Malik D6/682
D403,880 S * 1/1999 Malik D6/681.1
5,992,647 A * 11/1999 Malik A47B 45/00
211/194
D424,320 S * 5/2000 Klein D6/681.1
D425,723 S * 5/2000 Hurt D6/675.2
D439,077 S * 3/2001 Knauf D6/672
D458,772 S * 6/2002 Klein D6/681.1
D462,539 S * 9/2002 Segall D6/681.1
D473,733 S * 4/2003 Malik D6/630
D476,167 S * 6/2003 Klein D6/681.1
D488,003 S * 4/2004 Malik D6/675.1
D530,540 S * 10/2006 Stravitz D6/675.4
7,249,679 B2 * 7/2007 Klein A47F 7/08
211/175
D568,067 S * 5/2008 Cohen D6/682

(Continued)

Primary Examiner — Steven J Cxyz

(74) Attorney, Agent, or Firm — Leong C. Lei

(56) **References Cited**

U.S. PATENT DOCUMENTS

1,927,997 A * 9/1933 Turner A47F 7/08
211/38
2,276,141 A * 3/1942 Atkinson A47L 23/20
211/37
2,605,905 A * 8/1952 Willmott A43D 117/00
211/34
D190,587 S * 6/1961 Magers et al. D6/675.4
D203,513 S * 1/1966 Warren et al. D6/672
D237,231 S * 10/1975 Wells et al. D6/672
D283,472 S * 4/1986 Wattles D6/675.1
D283,570 S * 4/1986 Penner D6/678.4
D301,665 S * 6/1989 Suttles D6/672
D319,156 S * 8/1991 Cugley D6/675.4
D319,356 S * 8/1991 Vukelich, Sr. D6/405
D322,724 S * 12/1991 Stravitz D6/407
D324,139 S * 2/1992 Frazier D6/672
5,172,816 A * 12/1992 Kline A47B 87/0207
211/194

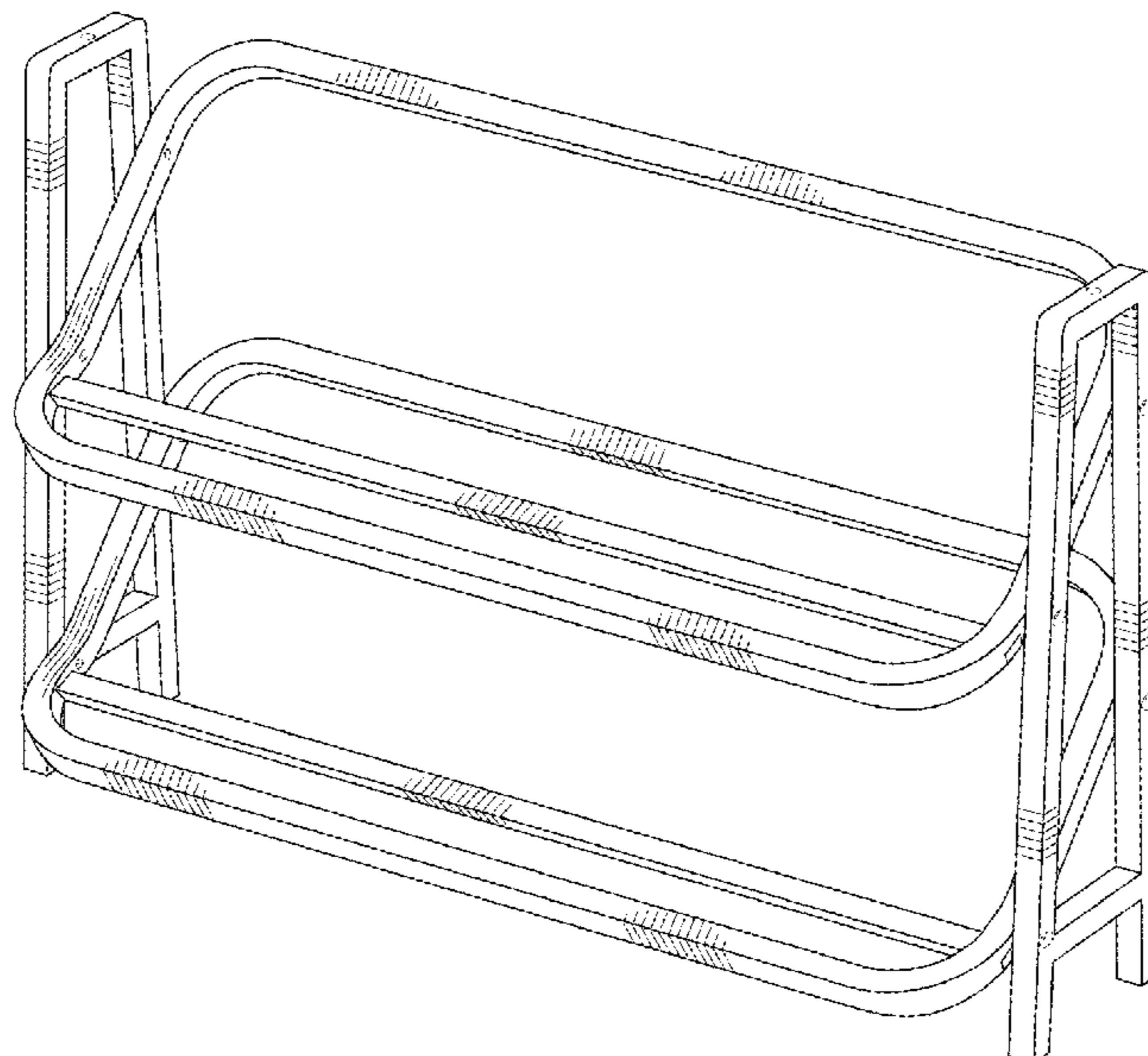
(57) **CLAIM**

The ornamental design for a shoe rack, as shown and described.

DESCRIPTION

FIG. 1 is a front perspective view of a shoe rack showing my new design;
FIG. 2 is a front elevational view thereof;
FIG. 3 is a rear elevational view thereof;
FIG. 4 is a left elevational view thereof;
FIG. 5 is a right elevational view thereof;
FIG. 6 is a top plan view thereof; and,
FIG. 7 is a bottom plan view thereof.
The broken lines shown represent portions of the shoe rack that form no part of the claimed design.

1 Claim, 7 Drawing Sheets



(56)

References Cited

U.S. PATENT DOCUMENTS

D573,372	S *	7/2008	Gibbs	D6/675.1
D587,490	S *	3/2009	Siegel	D6/675.2
D785,979	S *	5/2017	Snider	D6/675.1
D787,242	S *	5/2017	Hsu	D6/675.2
D801,731	S *	11/2017	Cao	D6/675.1
D802,342	S *	11/2017	Chang	D6/675.5
D808,203	S *	1/2018	Davis	D6/675.3
D825,959	S *	8/2018	Rockwell	D6/675.3
D830,087	S *	10/2018	Greenspon	D6/675
10,092,095	B2 *	10/2018	Zhu	A47B 43/00
D841,374	S *	2/2019	Felsenthal	D6/681
D849,459	S *	5/2019	Wang	D6/675.1
D853,762	S *	7/2019	Tucker	D6/672
D860,689	S *	9/2019	Davis	D6/672
D862,946	S *	10/2019	Hyland	D6/672
10,499,733	B2 *	12/2019	Felsenthal	A47B 55/02
10,531,735	B1 *	1/2020	Lucio	A47B 57/04
D885,806	S *	6/2020	Rockwell	D6/675

* cited by examiner

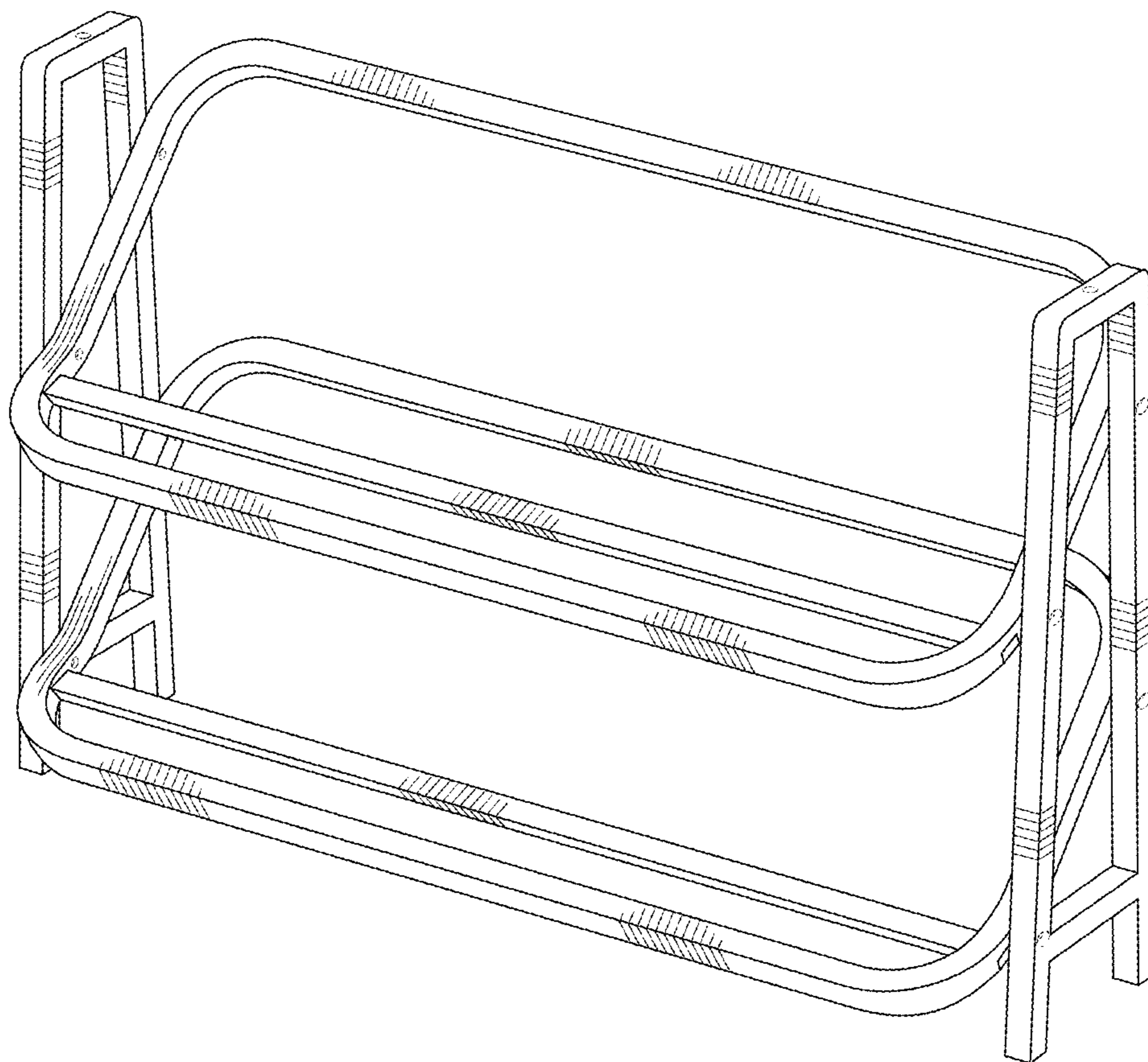


FIG. 1

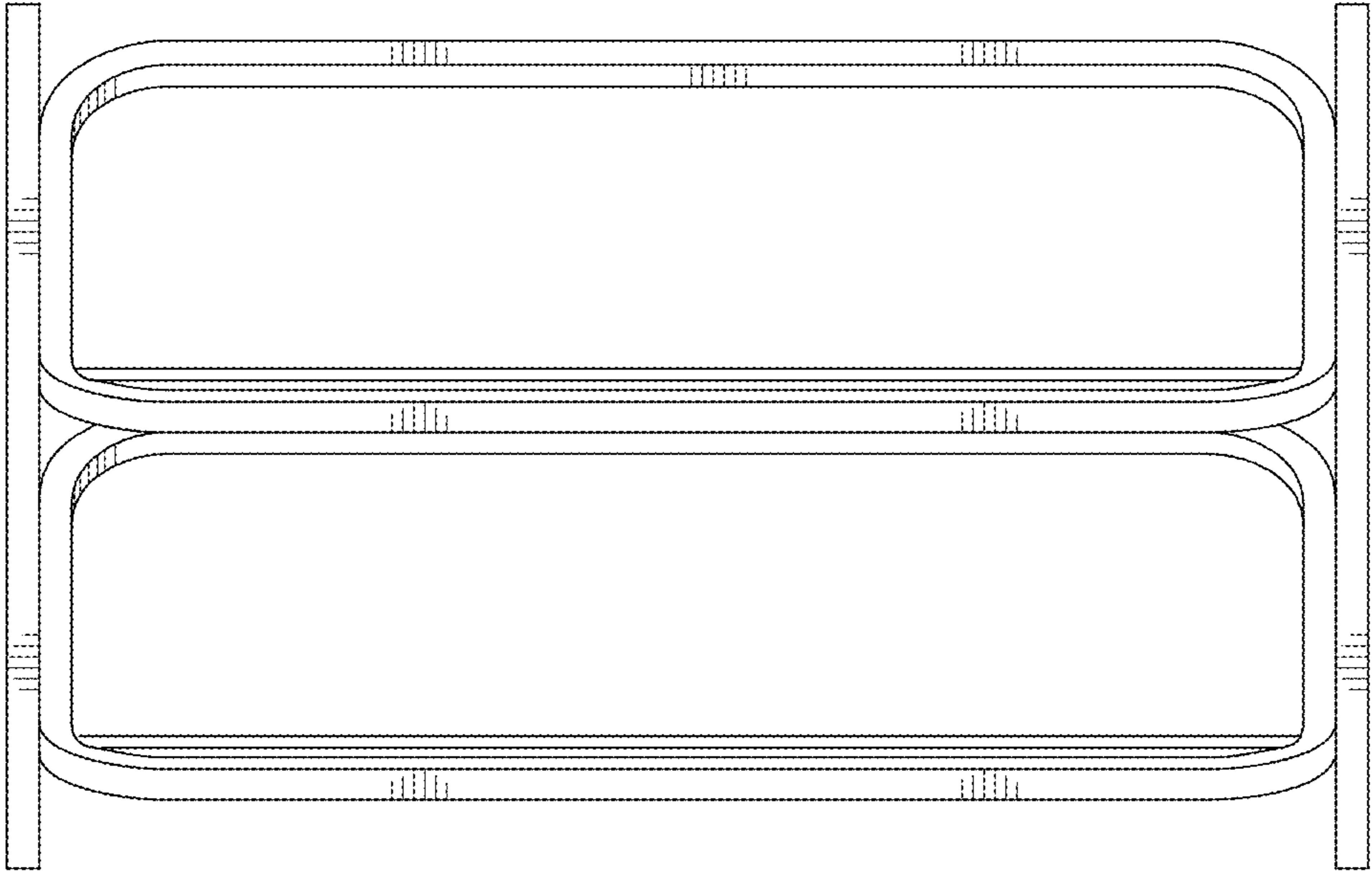


FIG. 2

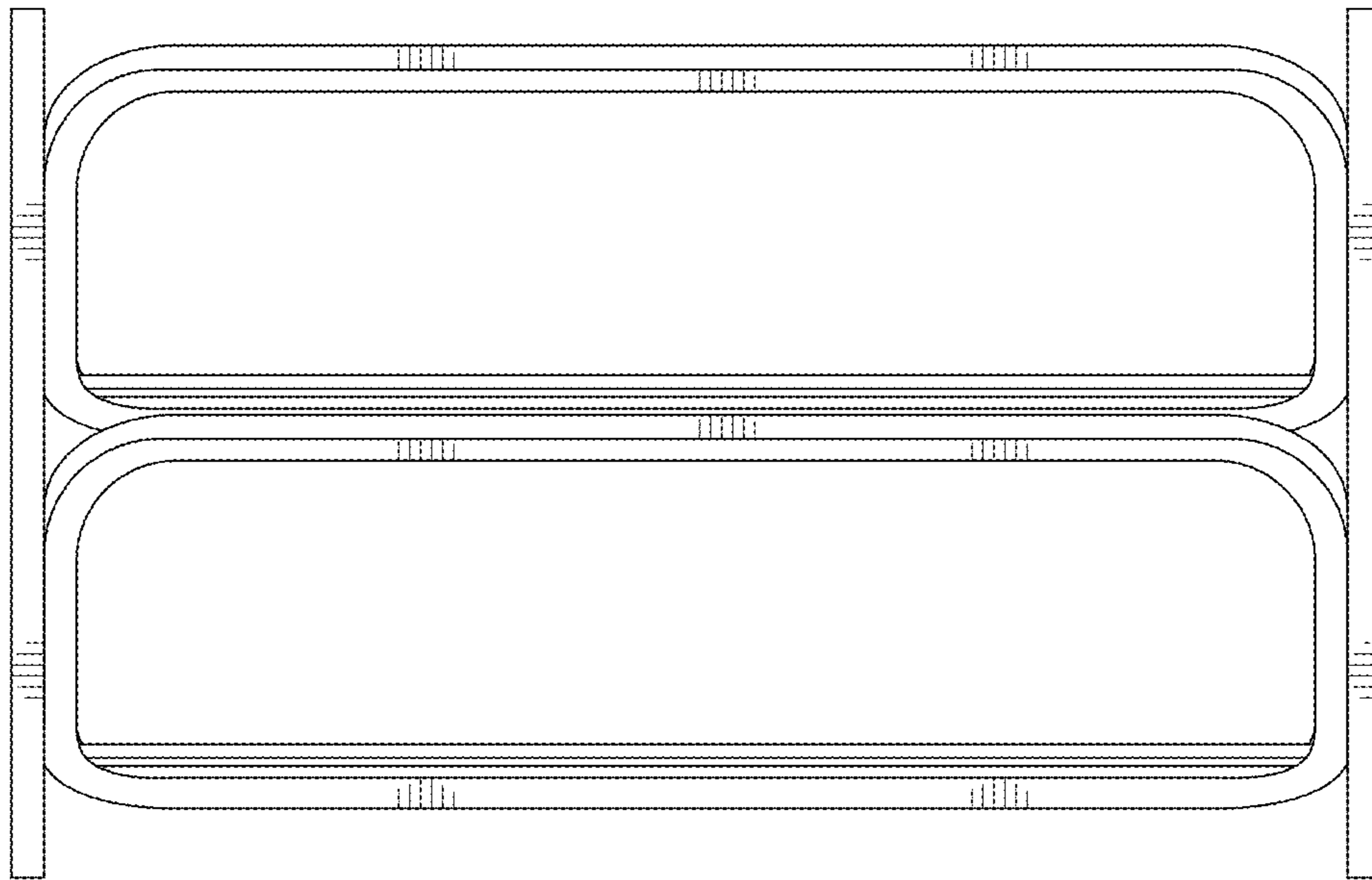


FIG. 3

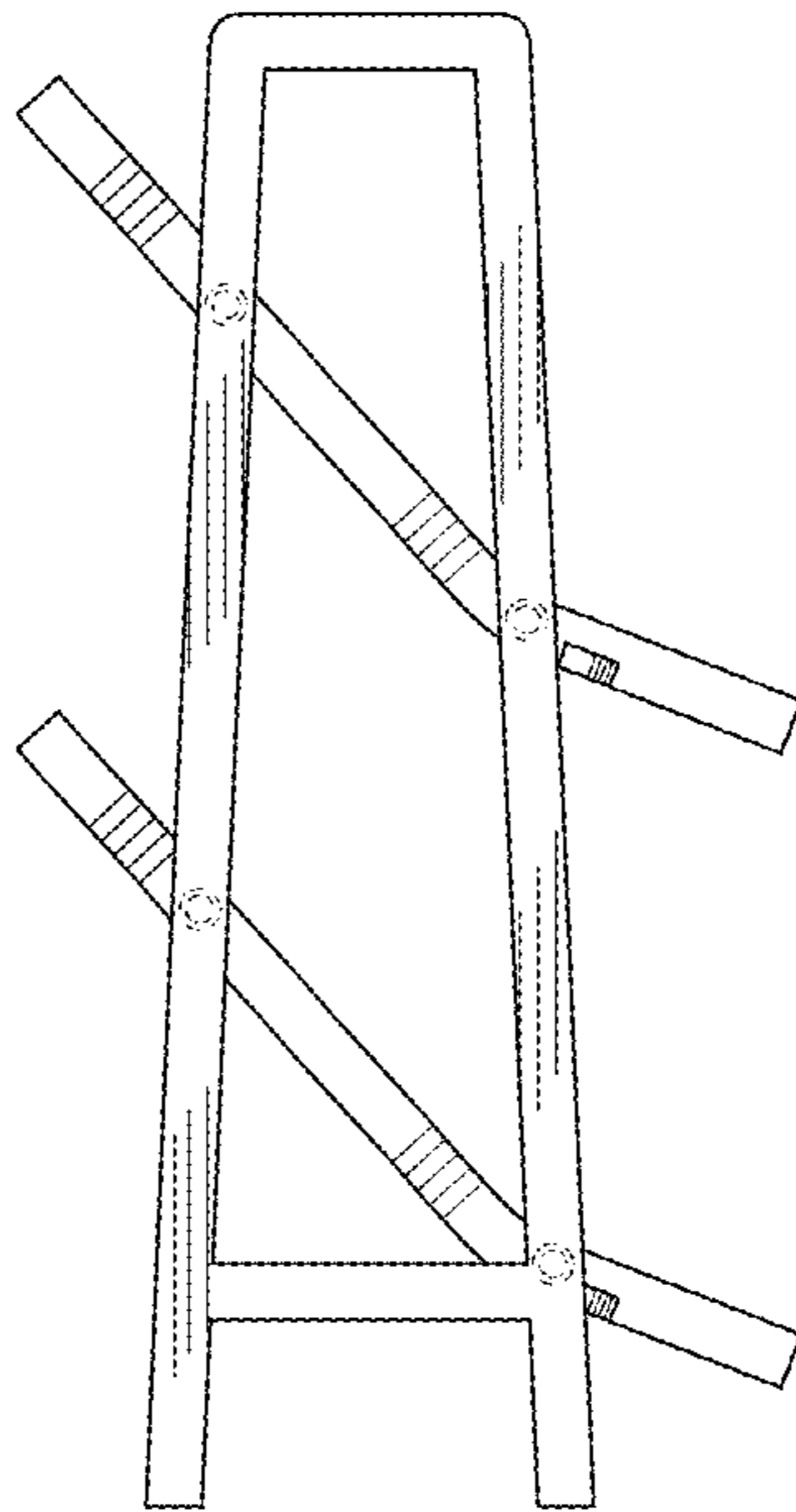


FIG. 4

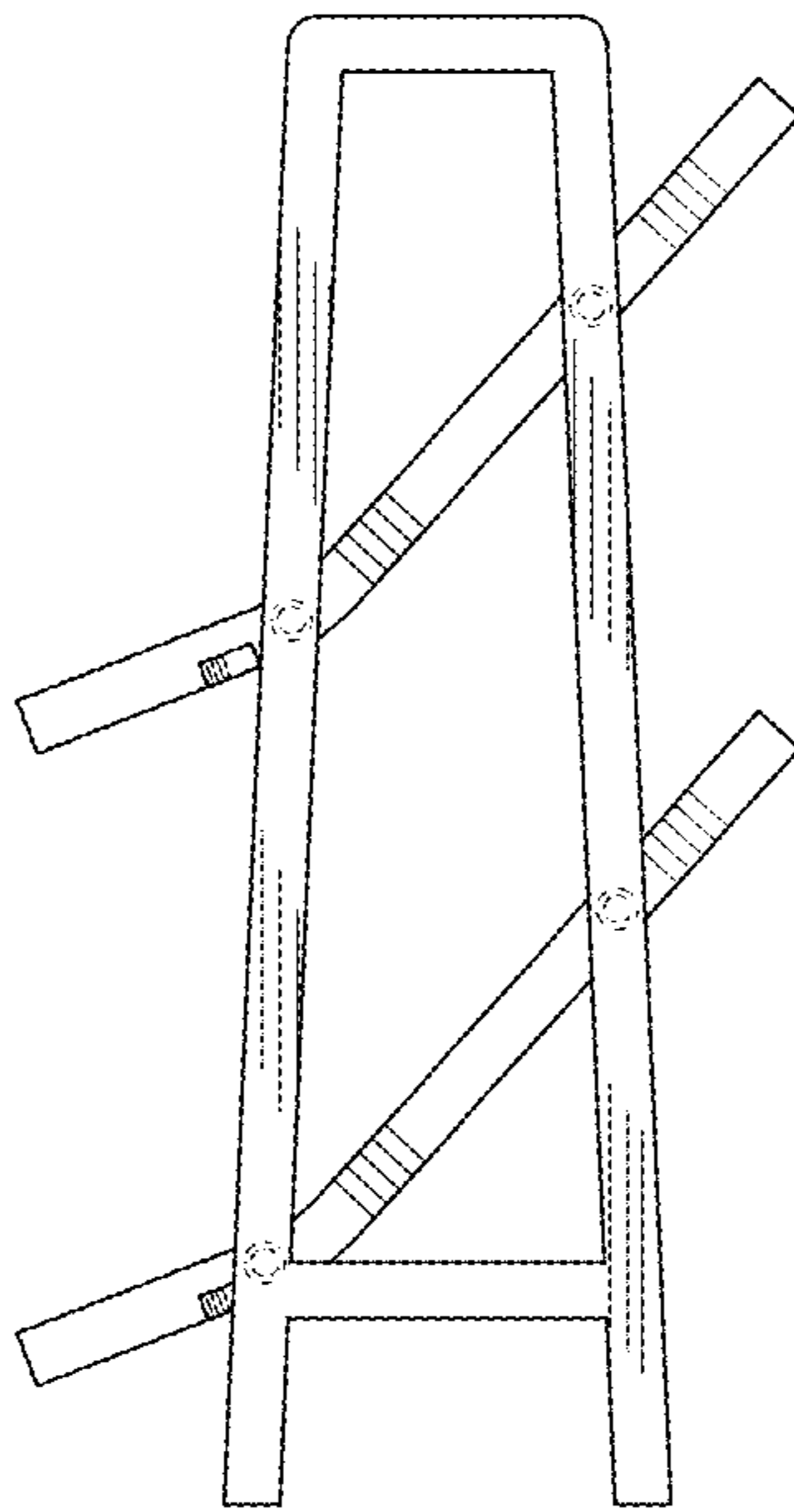


FIG. 5

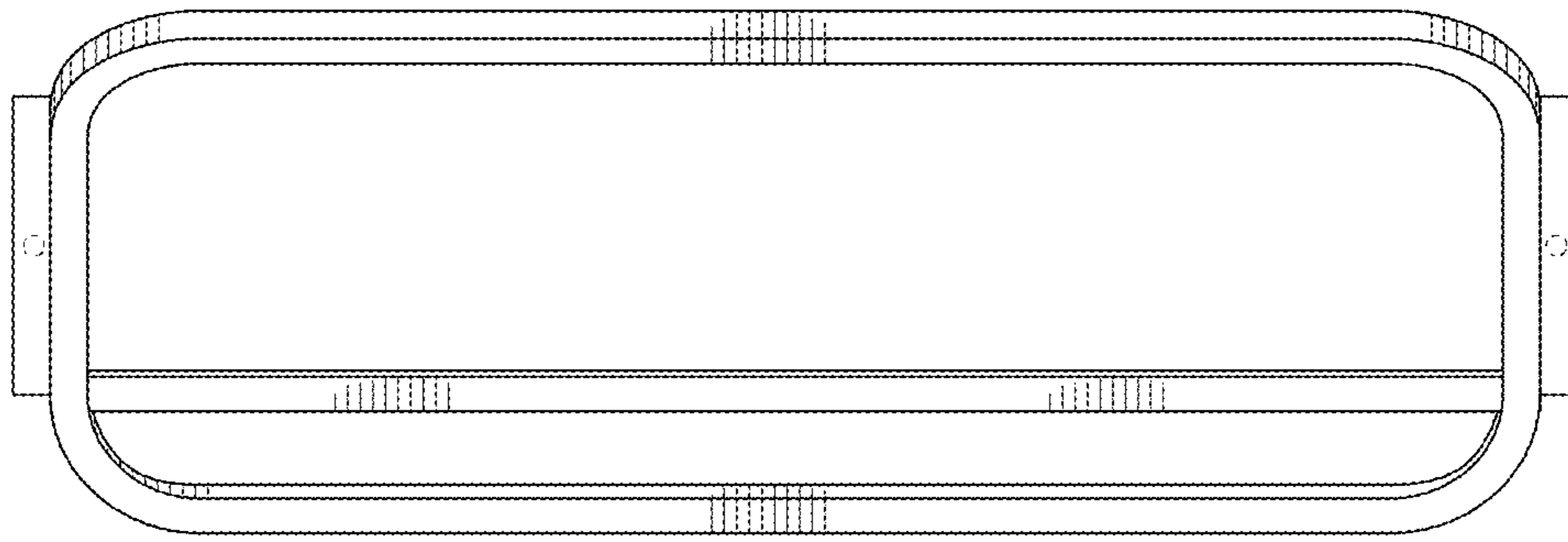


FIG. 6

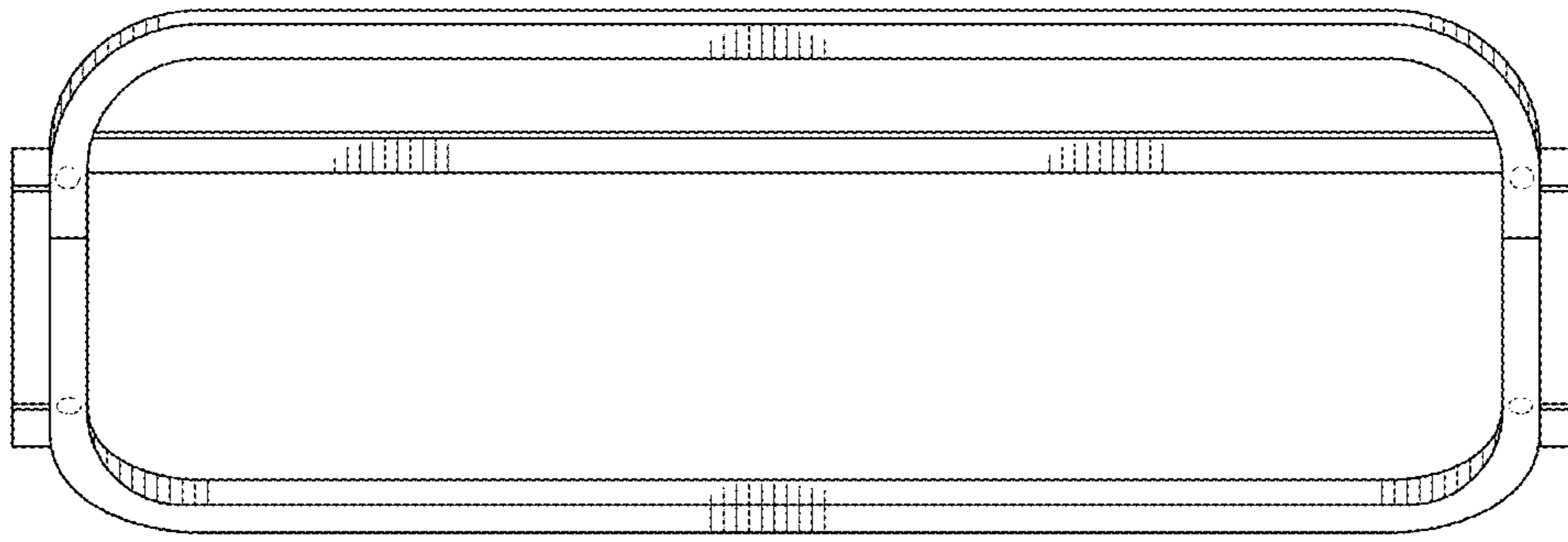


FIG. 7