



US00D912445S

(12) **United States Design Patent** (10) **Patent No.:** **US D912,445 S**
Peng (45) **Date of Patent:** **** Mar. 9, 2021**

(54) **FOLDABLE HALL TREE**

OTHER PUBLICATIONS

(71) Applicant: **EASEPAL ENTERPRISES LTD.,**
Xiamen (CN)

HomeKoko Hall Tree, amazon.com, https://www.amazon.com/HOMEKOKO-Entryway-Foldable-Accent-Furniture/dp/B08D2Z6TZD/ref=sr_1_2?dchild=1&keywords=foldable+hall+tree&qid=1607969119&sr=8-2 (Year: 2020).*

(72) Inventor: **Leo Peng,** Xiamen (CN)

(73) Assignee: **EASEPAL ENTERPRISES LTD.,**
Xiamen (CN)

Primary Examiner — Steven J Czyz

(74) *Attorney, Agent, or Firm* — Bayramoglu Law Offices LLC

(**) Term: **15 Years**

(57) **CLAIM**

(21) Appl. No.: **29/749,921**

The ornamental design for a foldable hall tree, as shown and described.

(22) Filed: **Sep. 10, 2020**

DESCRIPTION

(30) **Foreign Application Priority Data**

Aug. 4, 2020 (CN) 202030434276.7

(51) **LOC (13) Cl.** **20-02**

(52) **U.S. Cl.**
USPC **D6/672**

(58) **Field of Classification Search**
USPC D6/672, 675, 675.1, 675.2, 675.3, 675.4,
D6/675.5, 681, 681.1, 681.2, 681.3
CPC .. A47F 1/00; A47F 3/00; A47F 3/0439; A47F
3/06; A47F 5/0018; A47F 5/0081; A47B
96/00; A47B 96/02; A47B 47/00; A47B
47/021

See application file for complete search history.

FIG. 1 is a front view of a foldable hall tree showing my new design;
FIG. 2 is a rear view thereof;
FIG. 3 is a right side elevational view thereof;
FIG. 4 is a top plan view thereof;
FIG. 5 is a bottom plan view thereof;
FIG. 6 is a front perspective view thereof;
FIG. 7 is a rear perspective view thereof;
FIG. 8 is a rear view thereof in a folded configuration;
FIG. 9 is a rear perspective view thereof in the folded configuration;
FIG. 10 is a partial enlarged view of the indicated area "A" in FIG. 6;
FIG. 11 is a partial enlarged view of the indicated area "B" in FIG. 7;
FIG. 12 is a partial enlarged view of the indicated area "C" in FIG. 9; and,
FIG. 13 is a partial enlarged view of the indicated area "D" in FIG. 9.

A left side elevational view thereof is omitted since the left side elevational view thereof is a mirror image of the right side elevational view thereof.

The broken lines indicating an enlargement portion of the design form no part of the claimed design.

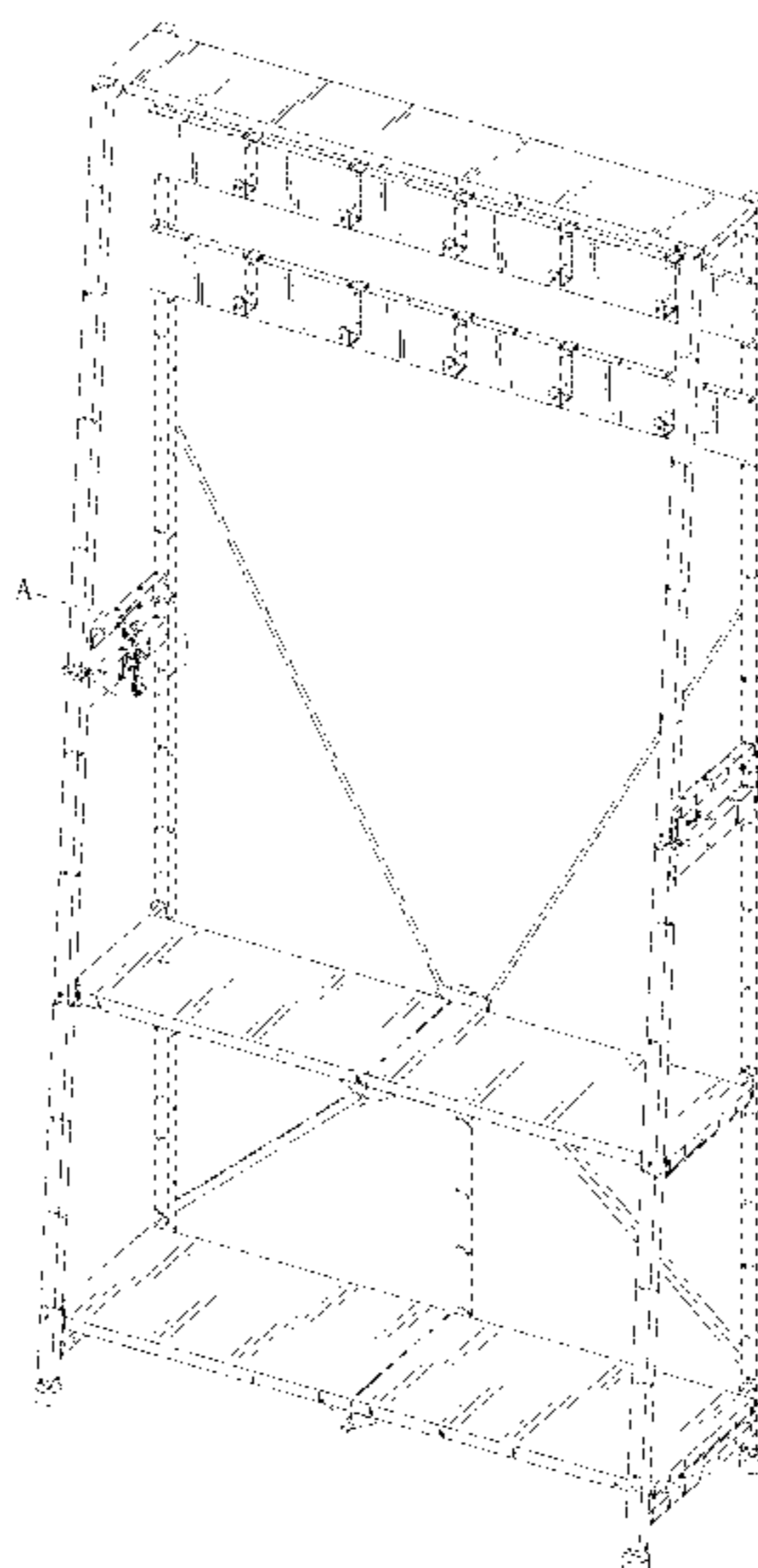
(56) **References Cited**

U.S. PATENT DOCUMENTS

3,565,020 A * 2/1971 Schier A47B 96/028
108/152
D237,231 S * 10/1975 Wells et al. D6/672
D247,592 S * 3/1978 Eisen D6/673
D248,915 S * 8/1978 Brandenfels D6/672
D311,099 S * 10/1990 Yau Kee D6/300
D319,156 S * 8/1991 Cugley D6/675.4
D382,513 S * 8/1997 Bozzone D11/131

(Continued)

1 Claim, 12 Drawing Sheets



(56)

References Cited

U.S. PATENT DOCUMENTS

5,685,440 A * 11/1997 Mason A47F 5/13
211/189
D391,421 S * 3/1998 Steelman D6/675.1
D415,365 S * 10/1999 Nicklas D6/684
D436,263 S * 1/2001 Alcala D6/336
D451,304 S * 12/2001 Felsenthal D6/678.4
6,401,948 B1 * 6/2002 Huang A47F 5/137
211/206
6,644,484 B1 * 11/2003 Sardis A47B 43/00
211/189
D491,742 S * 6/2004 Harwanko D6/681.1
D498,962 S * 11/2004 Moon D6/552
D512,585 S * 12/2005 Rozenboom D6/675.1
D546,013 S * 7/2007 Pong D32/58
D582,188 S * 12/2008 Martin D6/552
D591,533 S * 5/2009 Karsson D6/675.3
D613,965 S * 4/2010 Tertel D6/675.5
D617,576 S * 6/2010 Lin D6/681.1
D624,200 S * 9/2010 Kieffer D25/65
7,946,434 B1 * 5/2011 Greenspon A47G 25/0685
211/85.3
D643,232 S * 8/2011 Wagner D6/675.3
D660,614 S * 5/2012 Palmeiri D6/681
D716,080 S * 10/2014 Bell D6/675.1
8,936,166 B2 * 1/2015 Hornsby A47F 5/10
211/85.3
D736,548 S * 8/2015 Hornsby D6/681.1
D749,879 S * 2/2016 Wall D6/680.3

D750,401 S * 3/2016 Ruiz D6/681
D753,940 S * 4/2016 Ruiz D6/681
D760,516 S * 7/2016 Yu D6/680.2
9,648,949 B1 * 5/2017 Penaflo A47B 81/00
D790,892 S * 7/2017 Chung D6/681
D805,329 S * 12/2017 Rockwell D6/675.3
D808,200 S * 1/2018 Davis D6/675.1
D808,203 S * 1/2018 Davis D6/675.3
D809,835 S * 2/2018 Greenspon D6/681
D817,039 S * 5/2018 Adolph D6/657
D819,374 S * 6/2018 Kuehn D6/681.2
D829,473 S * 10/2018 Mical D6/681
D853,762 S * 7/2019 Tucker D6/672
D860,689 S * 9/2019 Davis D6/672
D864,625 S * 10/2019 Rockwell D6/675
D864,627 S * 10/2019 Rockwell D6/675
D871,116 S * 12/2019 Li D6/675.1
D874,191 S * 2/2020 Qi D6/664
D883,719 S * 5/2020 Li D6/675.1
D885,806 S * 6/2020 Rockwell D6/675
D898,492 S * 10/2020 Edgerton D6/684
D903,384 S * 12/2020 Davis D6/675.1
2007/0163974 A1 * 7/2007 Lai A47G 25/0664
211/85.3
2007/0272642 A1 * 11/2007 Baptiste A47B 43/00
211/201
2008/0029473 A1 * 2/2008 Hu A47G 25/0664
211/206
2015/0008201 A1 * 1/2015 Qiang D06F 57/06
211/85.3

* cited by examiner

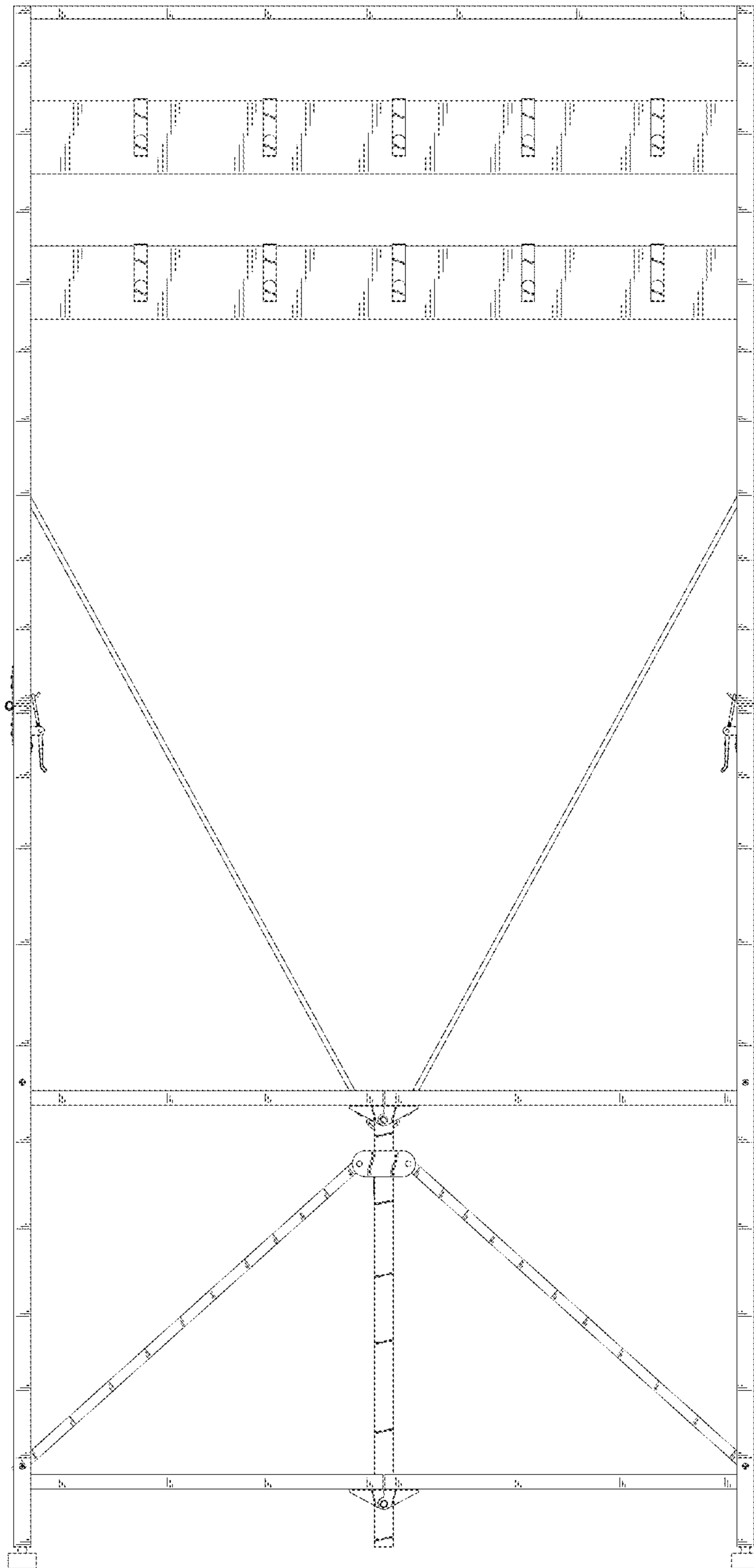


FIG. 1

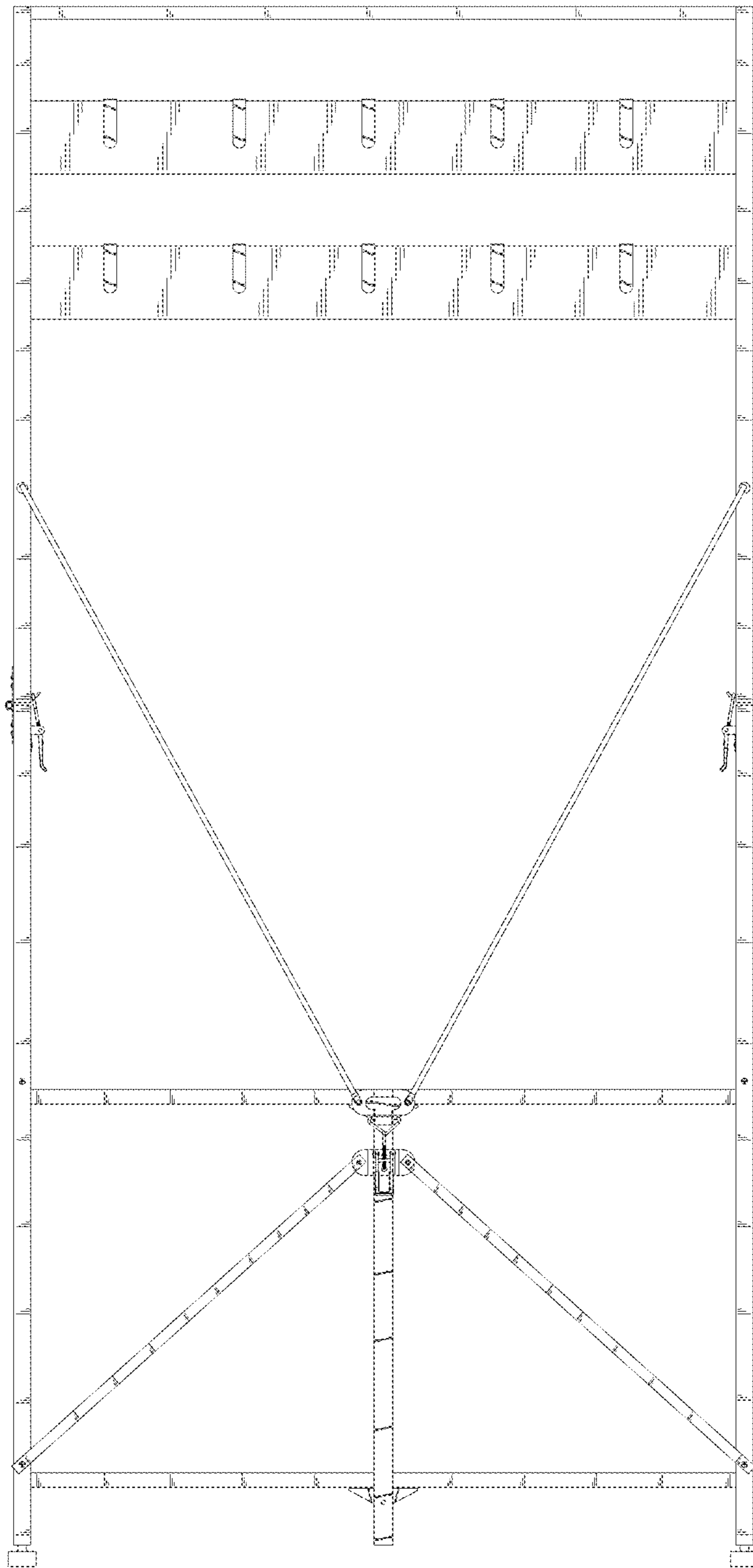


FIG. 2

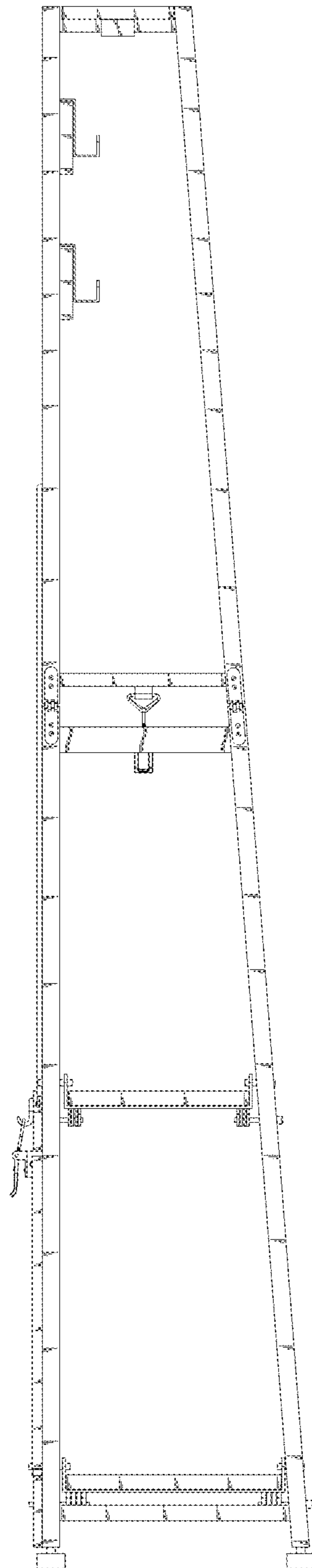


FIG. 3

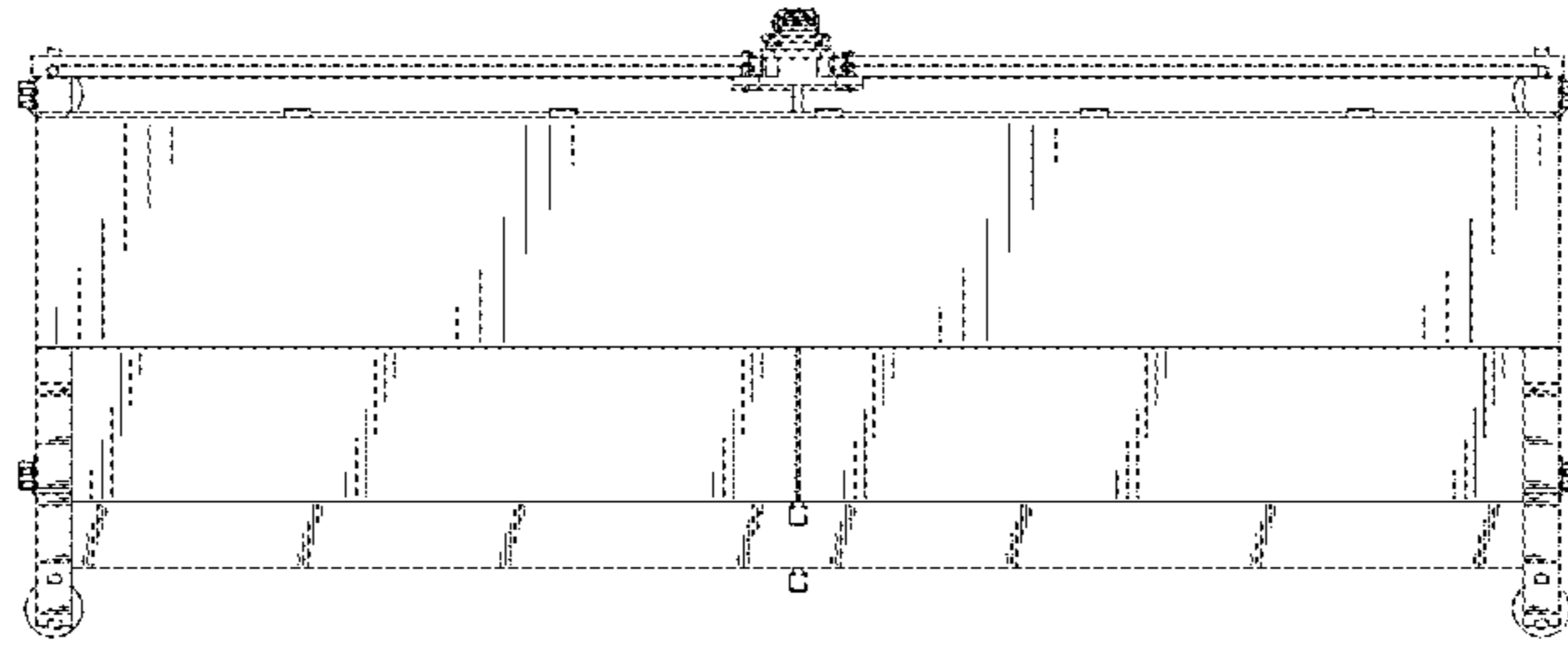


FIG. 4

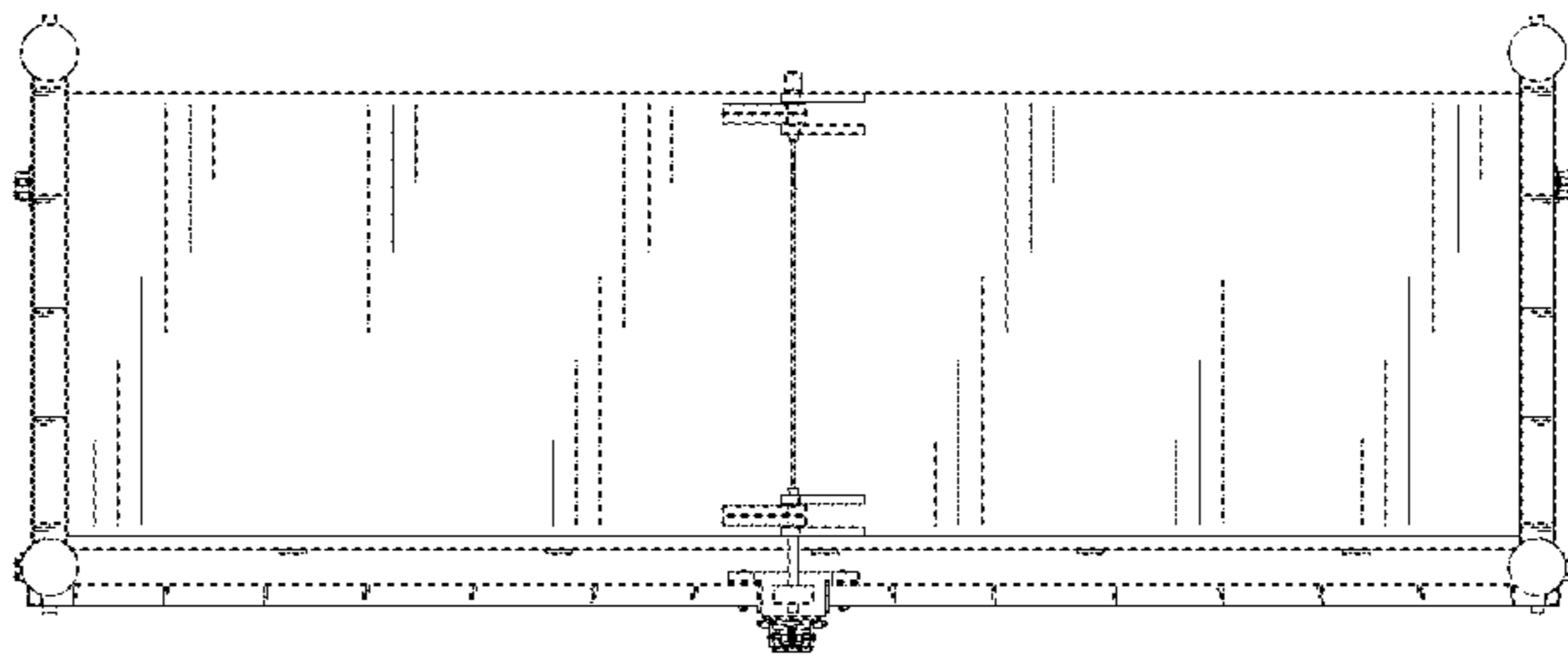


FIG. 5

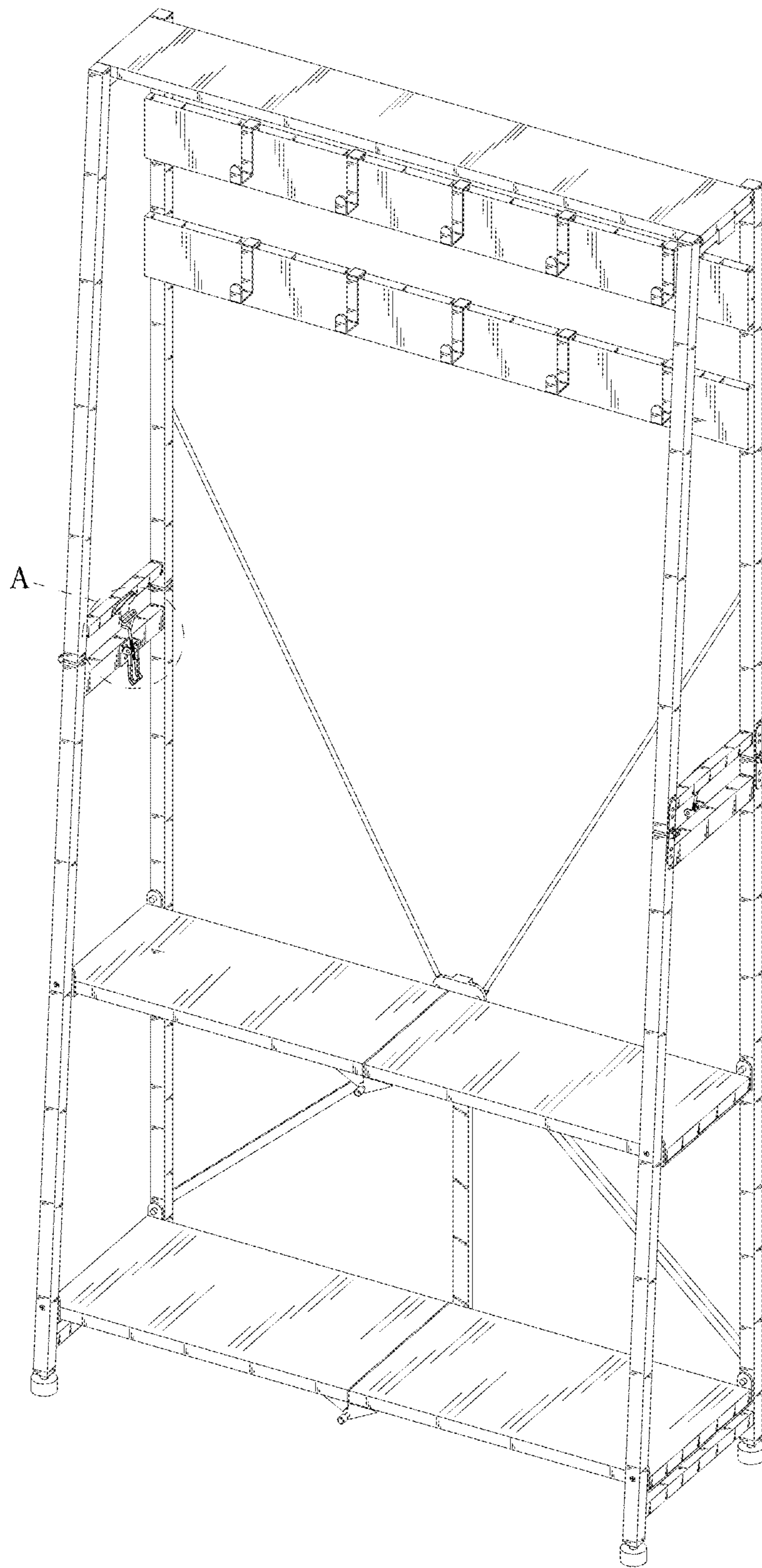


FIG. 6

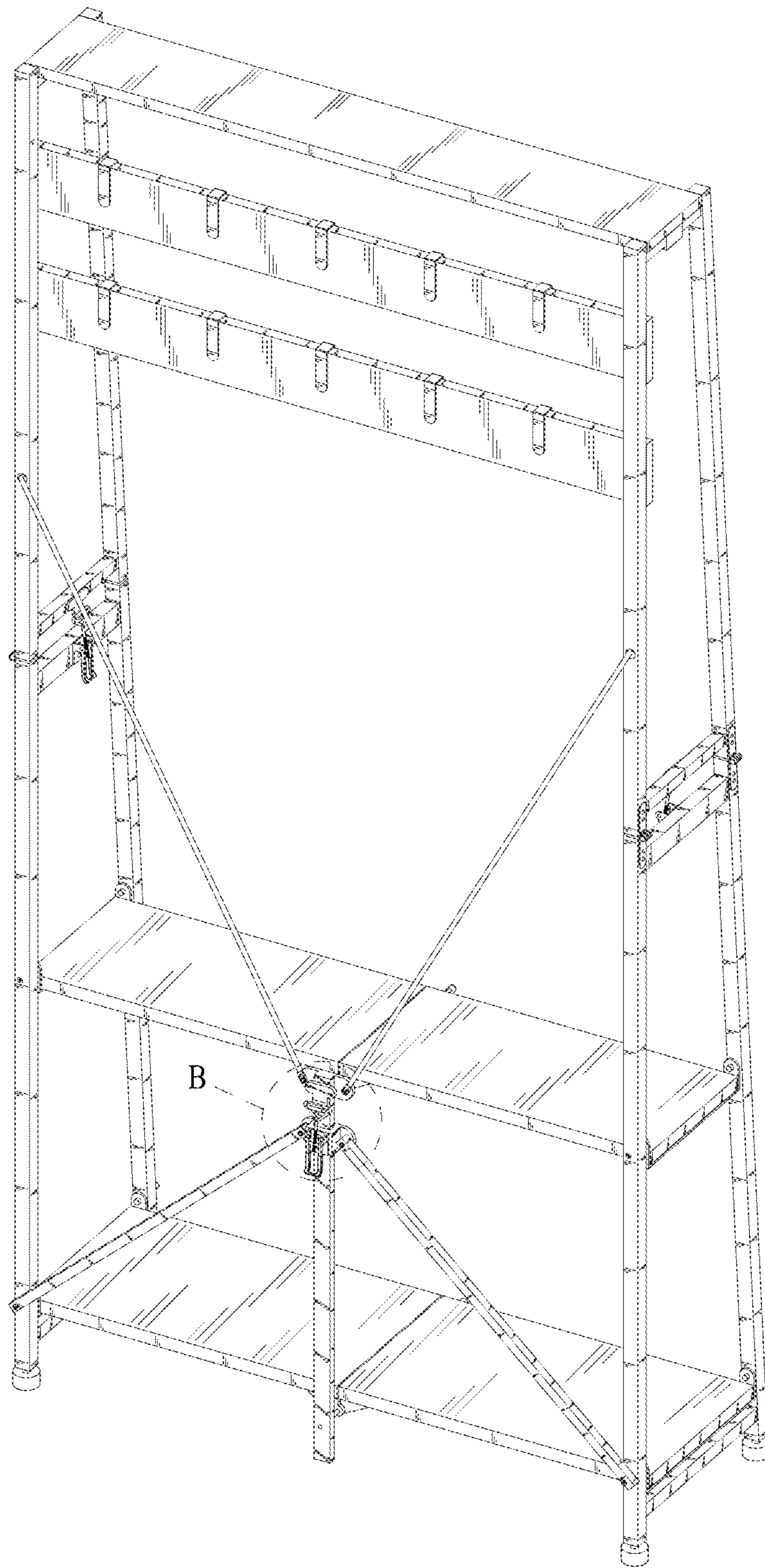


FIG. 7

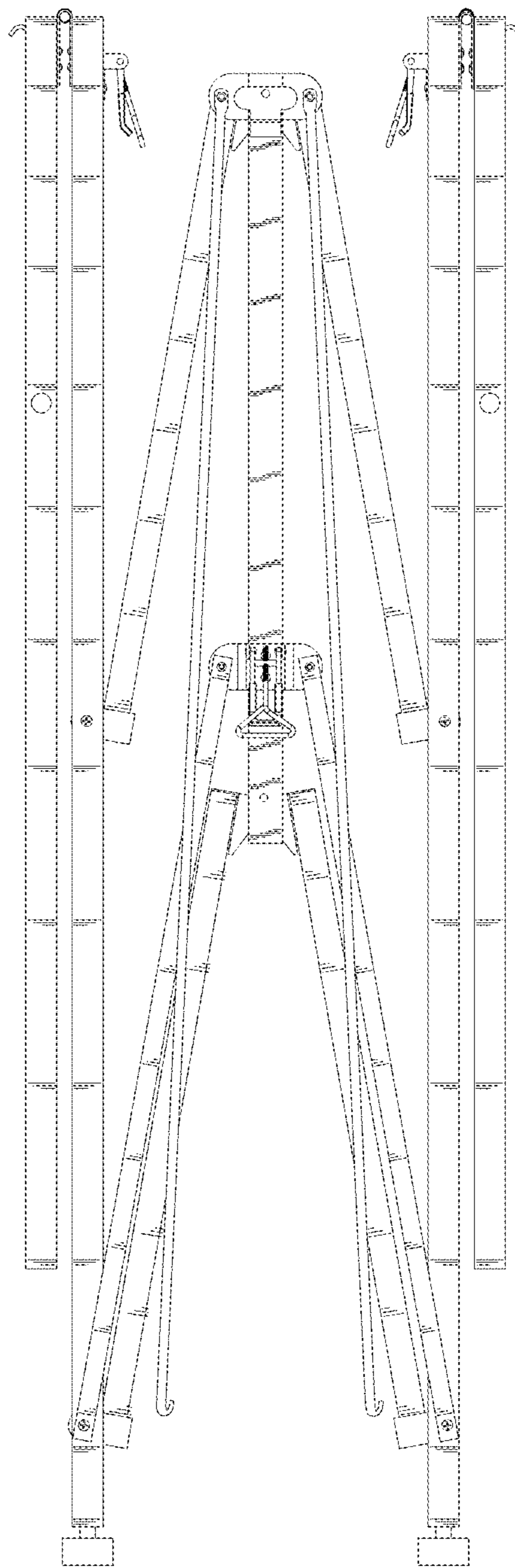


FIG. 8

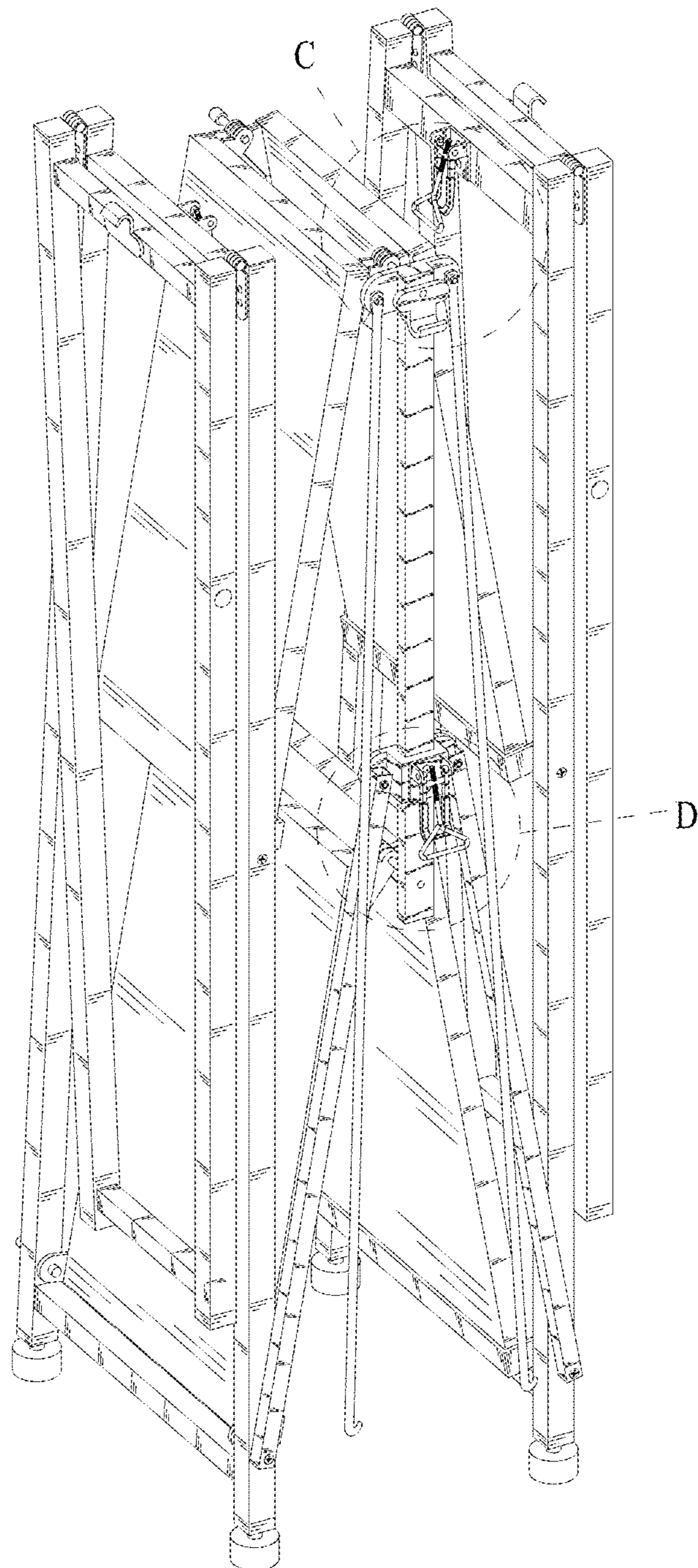


FIG. 9

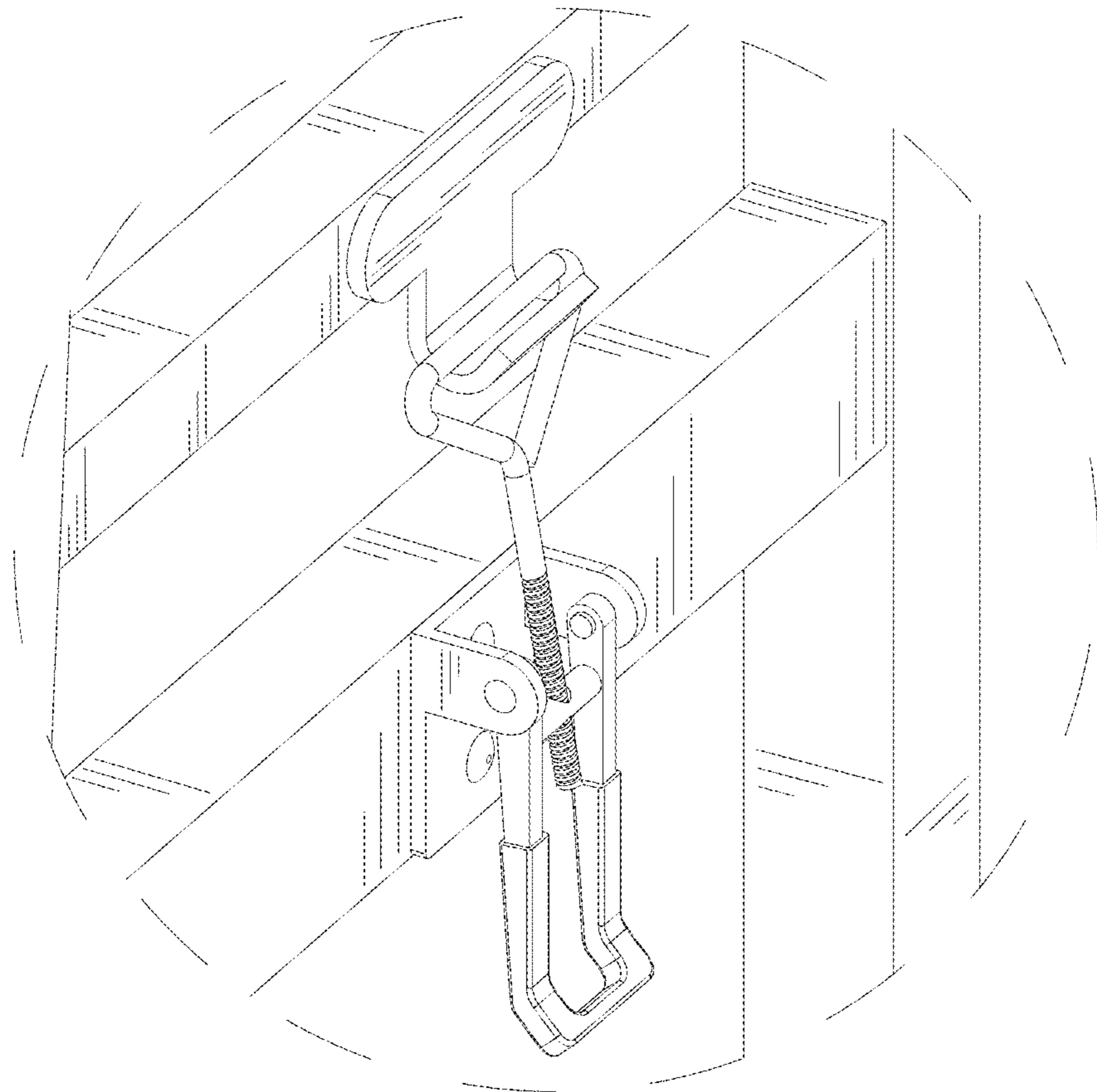


FIG. 10

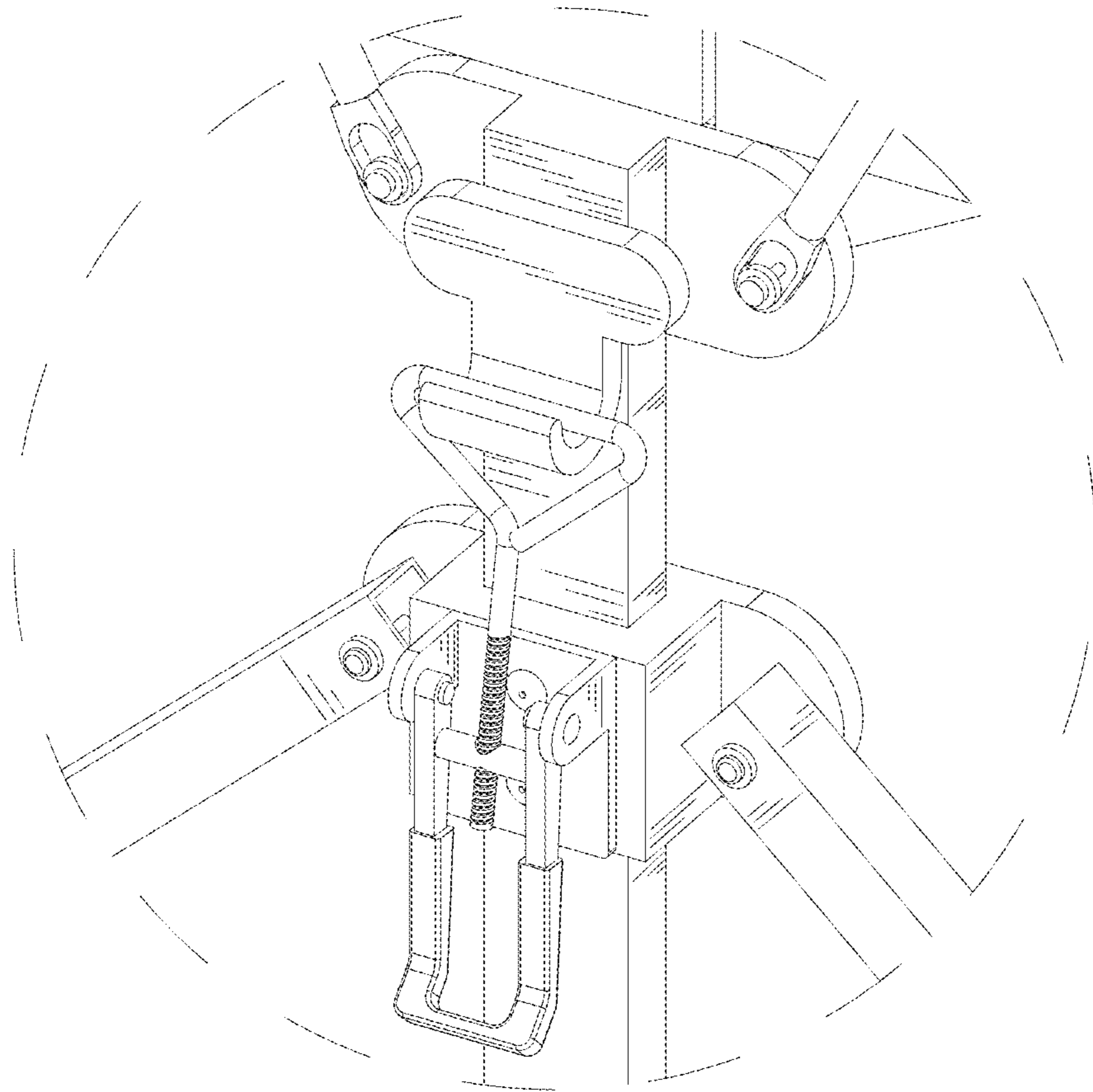


FIG. 11

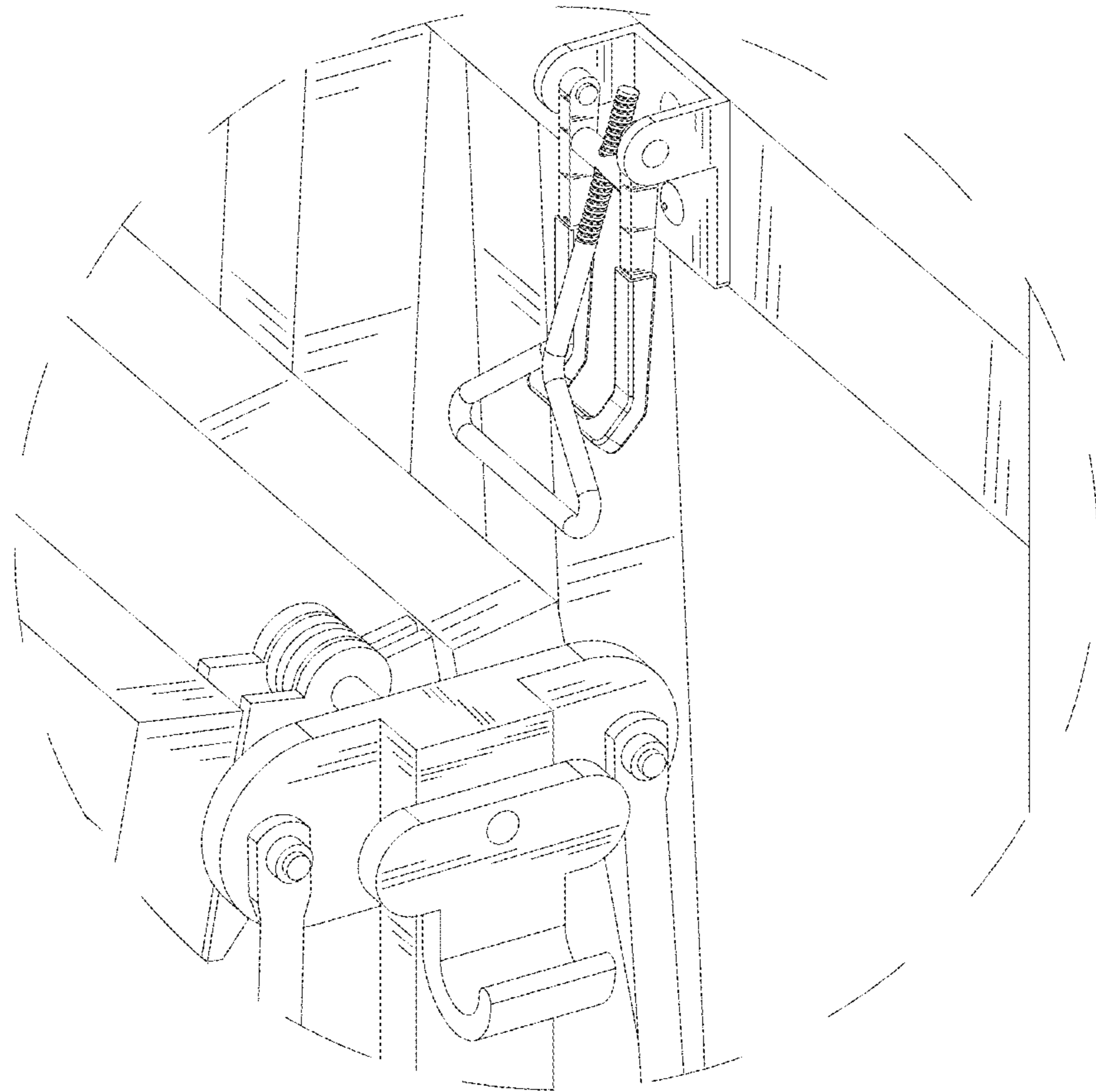


FIG. 12

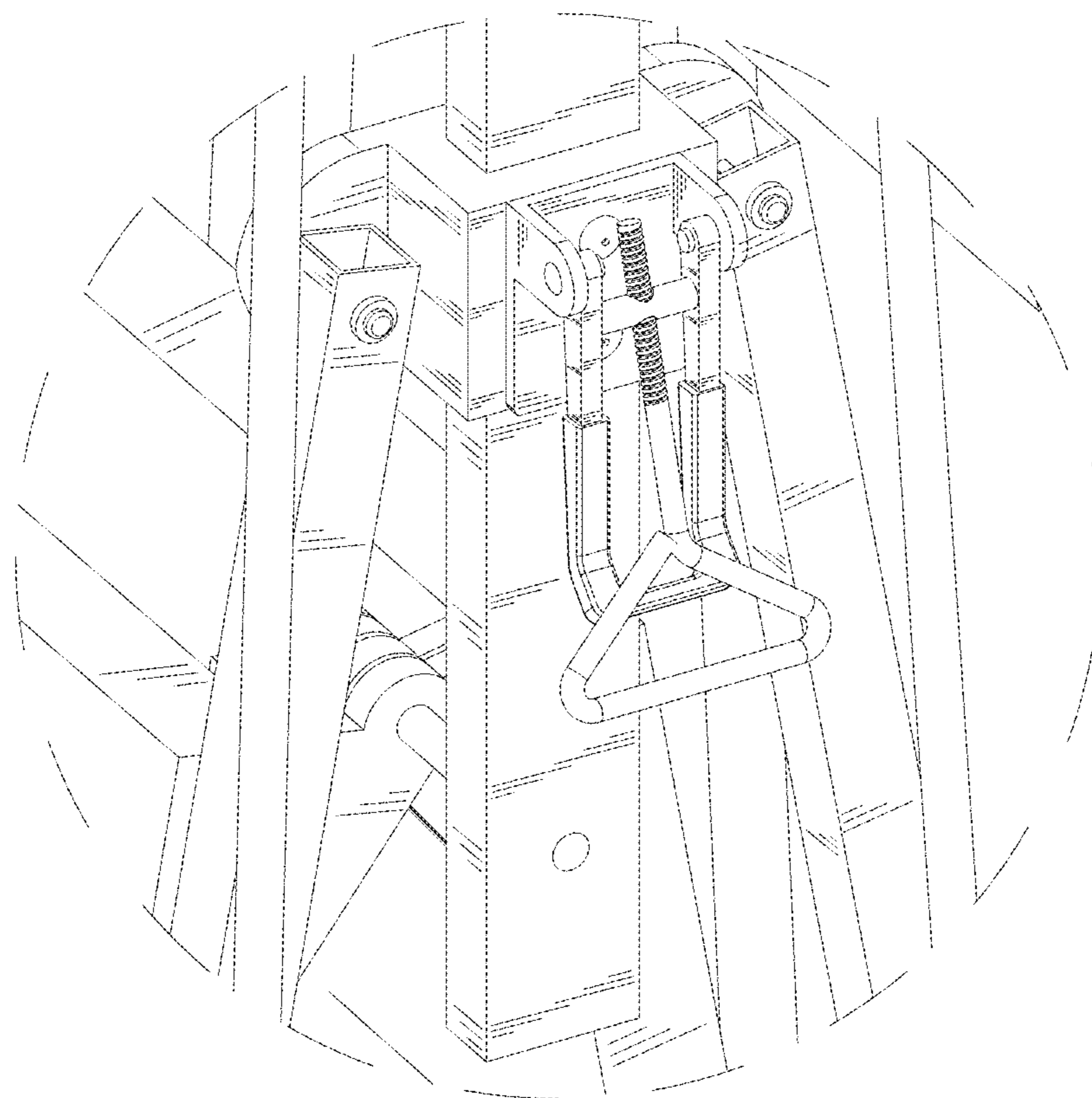


FIG. 13